

[54] COMBINED VIDEO CAMERA AND VIDEO TAPE RECORDER

[75] Inventor: Akinari Mohri, Tokyo, Japan

[73] Assignee: Sony Corporation, Tokyo, Japan

[\*\*] Term: 14 Years

[21] Appl. No.: 547,323

[22] Filed: Oct. 31, 1983

[30] Foreign Application Priority Data

Apr. 30, 1983 [JP]	Japan	.....	58-18343
[52] U.S. Cl.	.....	D14/5;	D14/78
[58] Field of Search	.....	D17/5, 78;	D16/4;
			358/224, 906

[56] References Cited

U.S. PATENT DOCUMENTS

D. 204,837	5/1966	Olson	.....	D16/4
D. 278,238	4/1985	Kurokawa et al.	.....	D14/78
D. 278,338	4/1985	Kurokawa et al.	.....	D14/78

FOREIGN PATENT DOCUMENTS

3134916 8/1982 Fed. Rep. of Germany ..... 358/906

OTHER PUBLICATIONS

Form, 1-76, p. 43, N120 2056 Camera.

Primary Examiner—Jane E. Corrigan  
Attorney, Agent, or Firm—Lewis H. Eslinger; Alvin Sinderbrand

[57] CLAIM

The ornamental design for a combined video camera and video tape recorder, as shown.

DESCRIPTION

FIG. 1 is a top plan view of a combined video camera and video tape recorder showing my new design;  
 FIG. 2 is a front elevational view;  
 FIG. 3 is a left side elevational view;  
 FIG. 4 is a right side elevational view;  
 FIG. 5 is a rear elevational view;  
 FIG. 6 is a bottom plan view;  
 FIG. 7 is a front, top and left side perspective view;  
 FIG. 8 is a rear, top and left side perspective view; and  
 FIG. 9 is another front, top and left side perspective view.

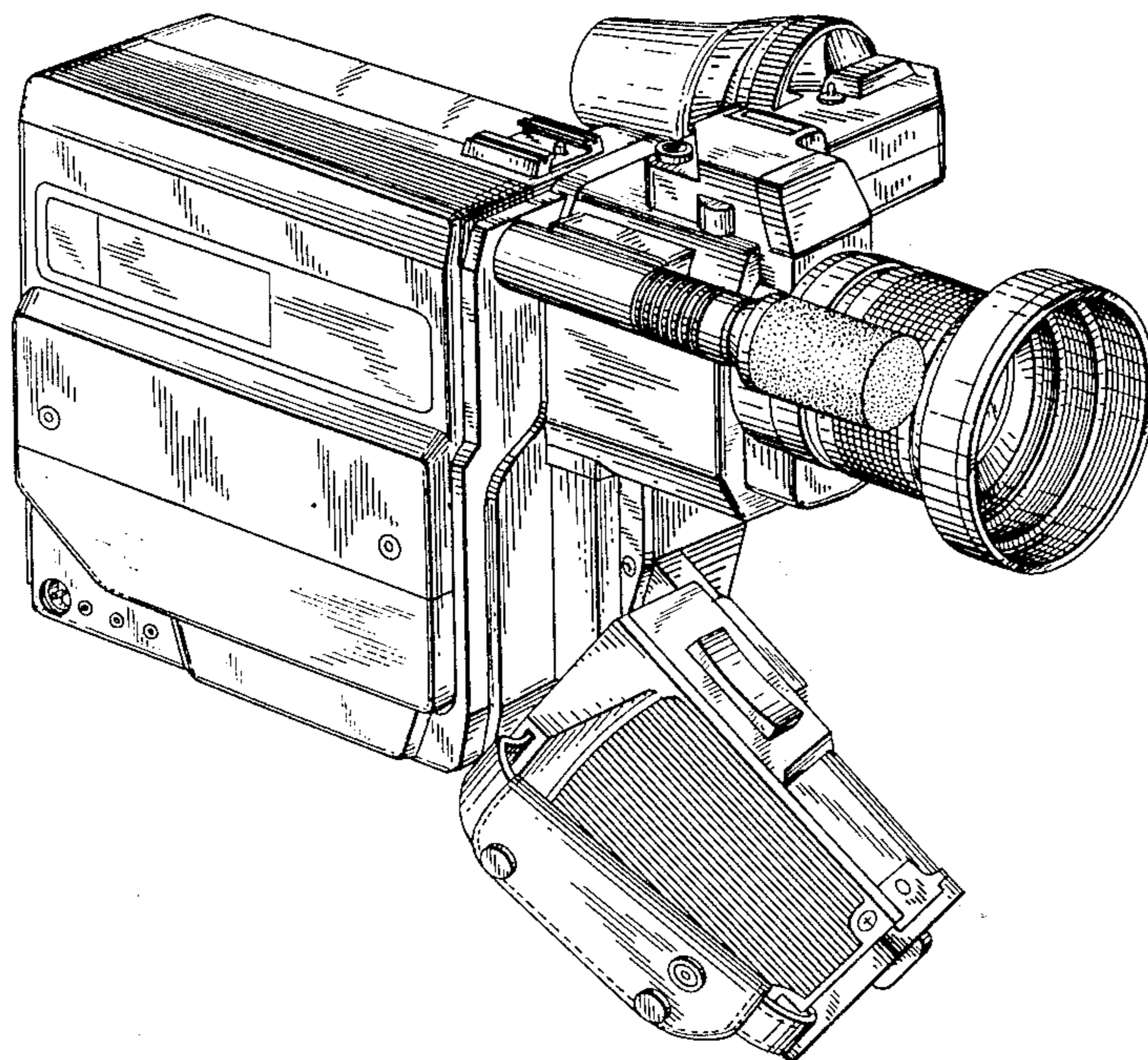


FIG. 1

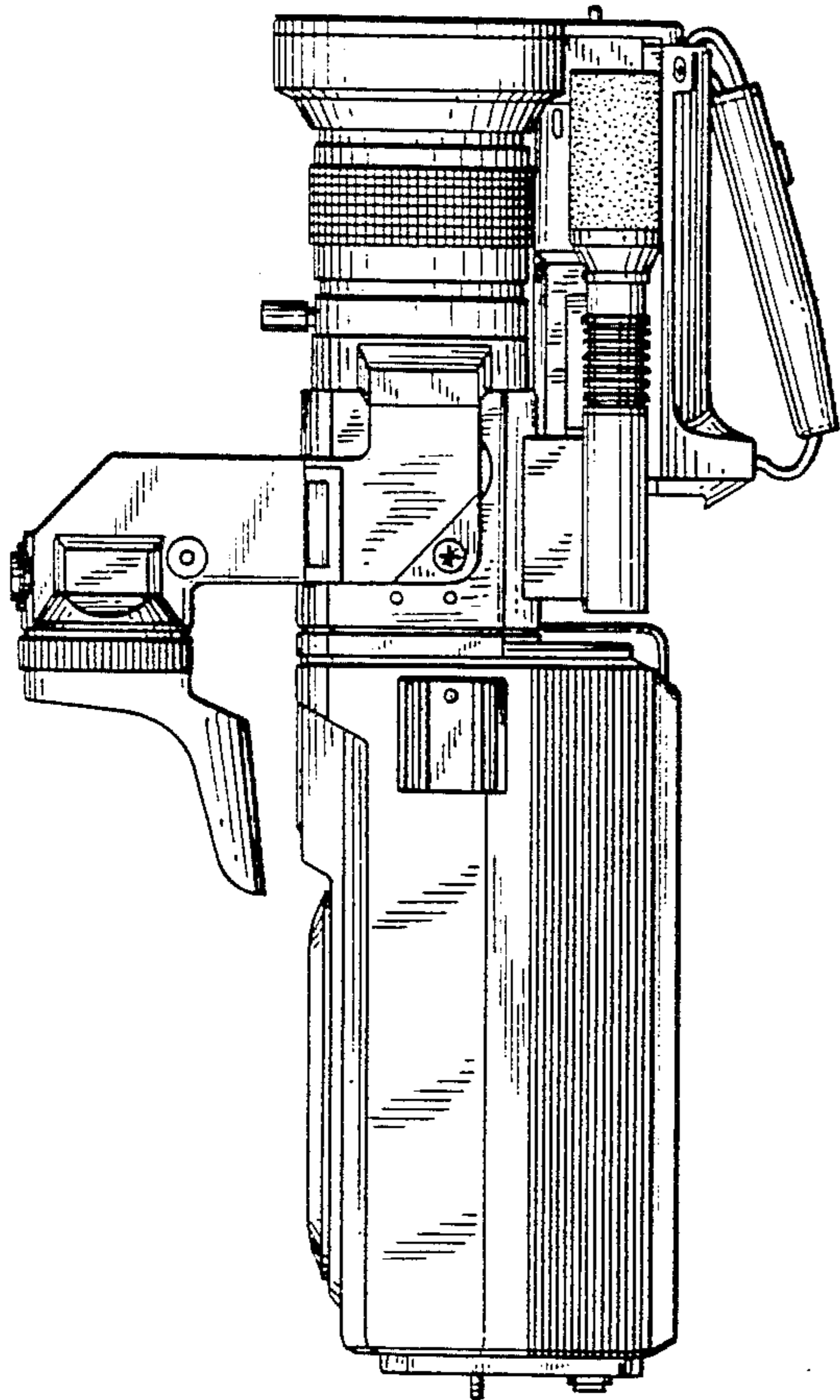


FIG. 2

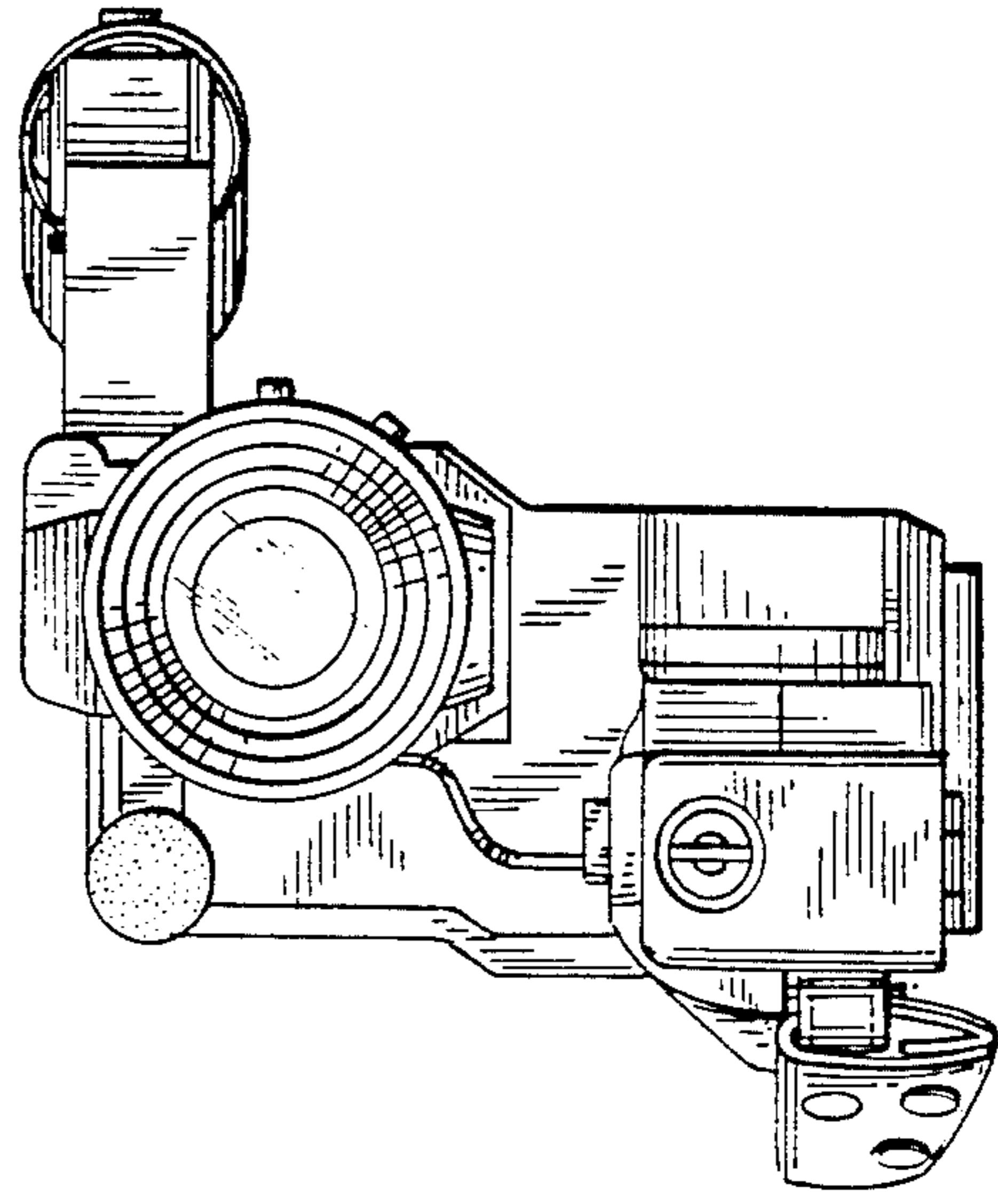


FIG. 3

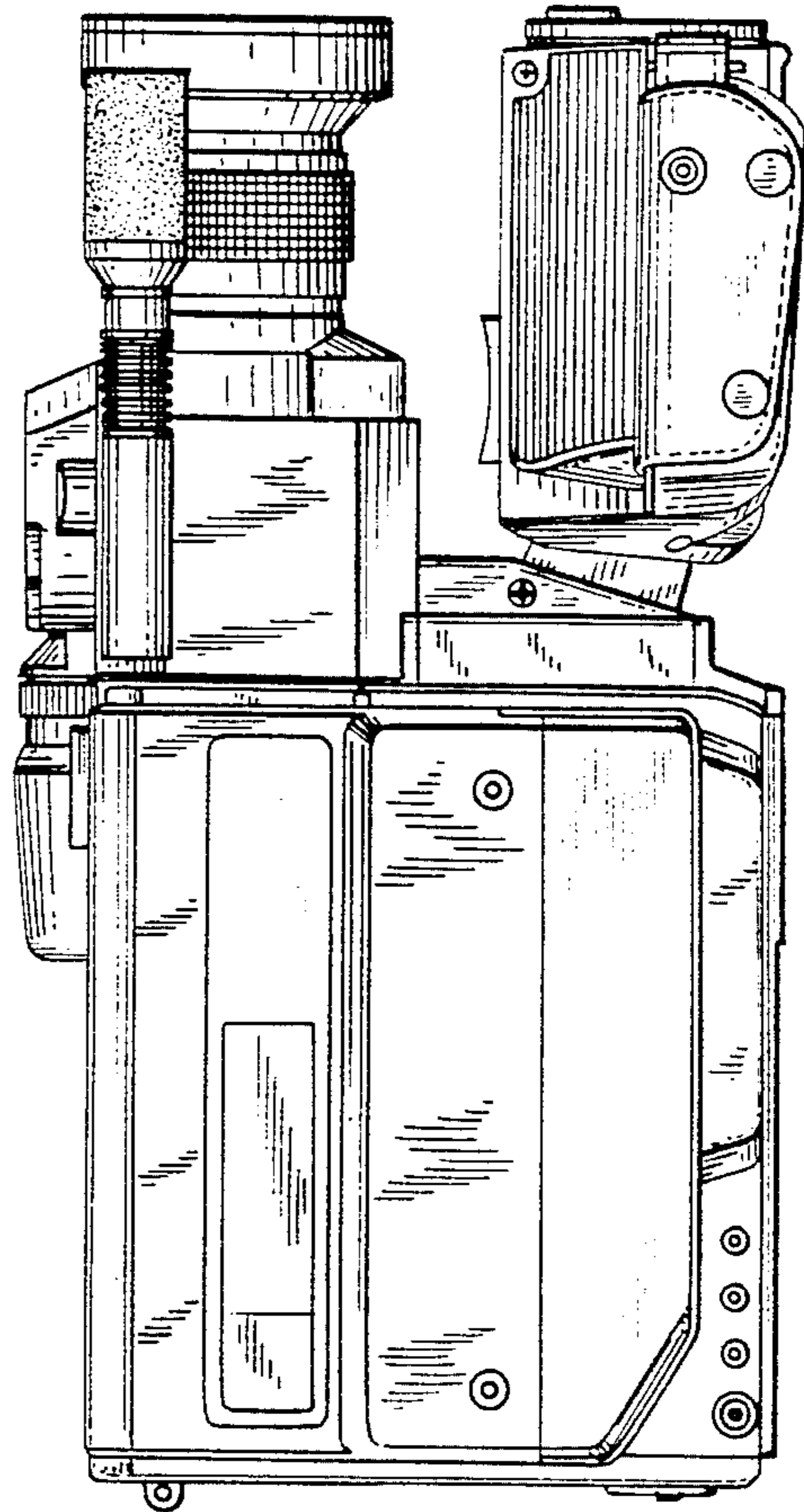




FIG. 4

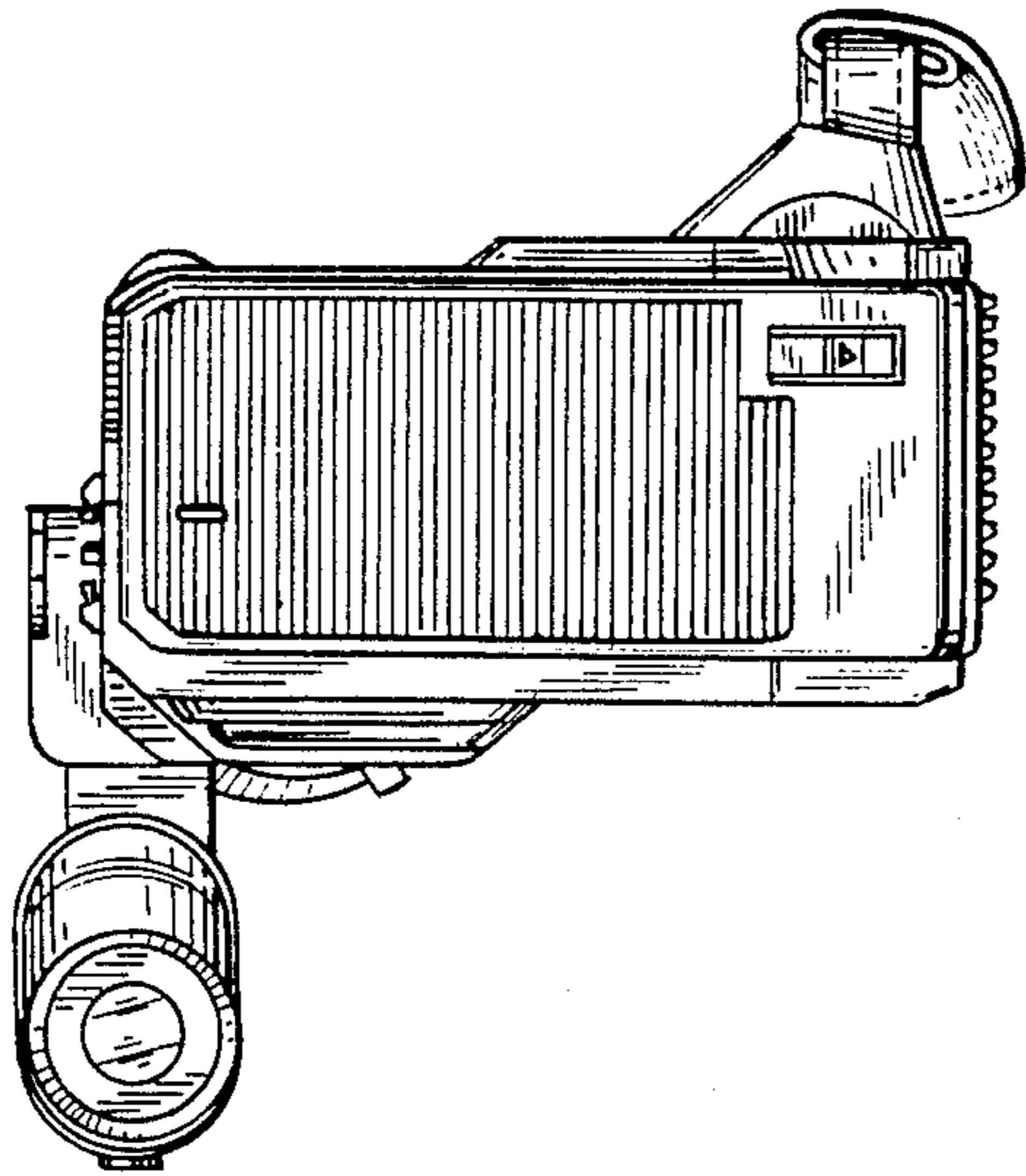
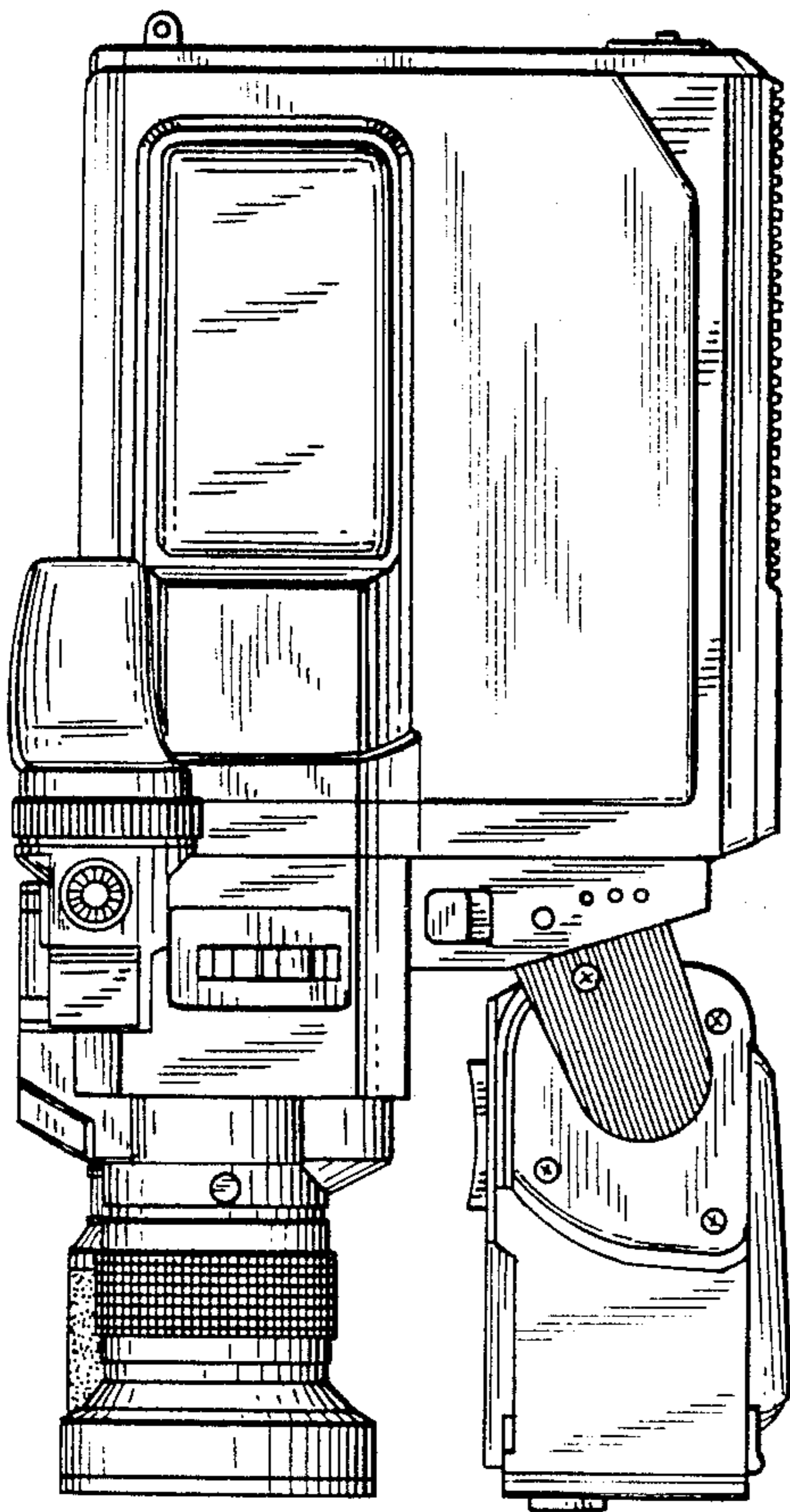
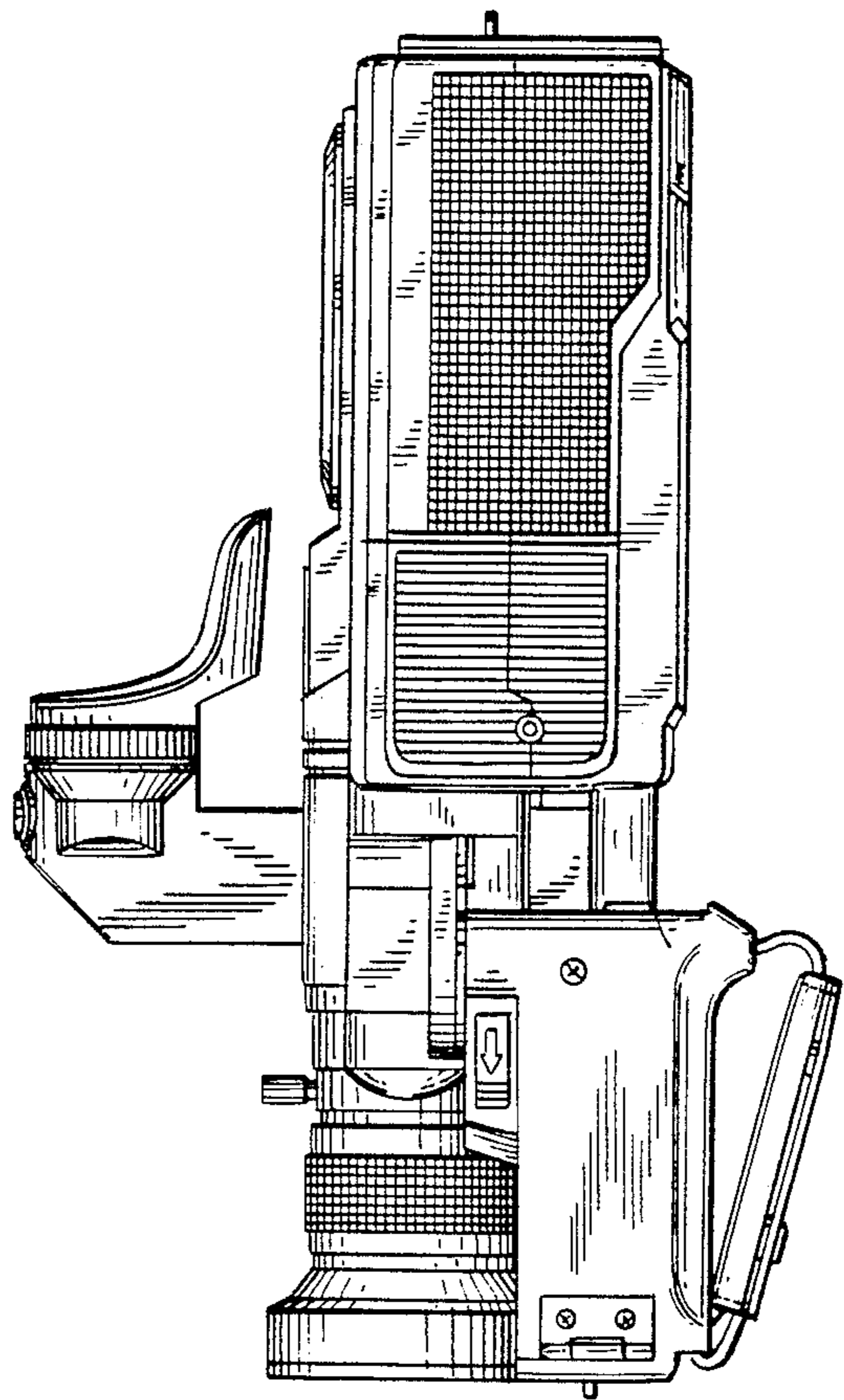


FIG. 5

FIG. 6



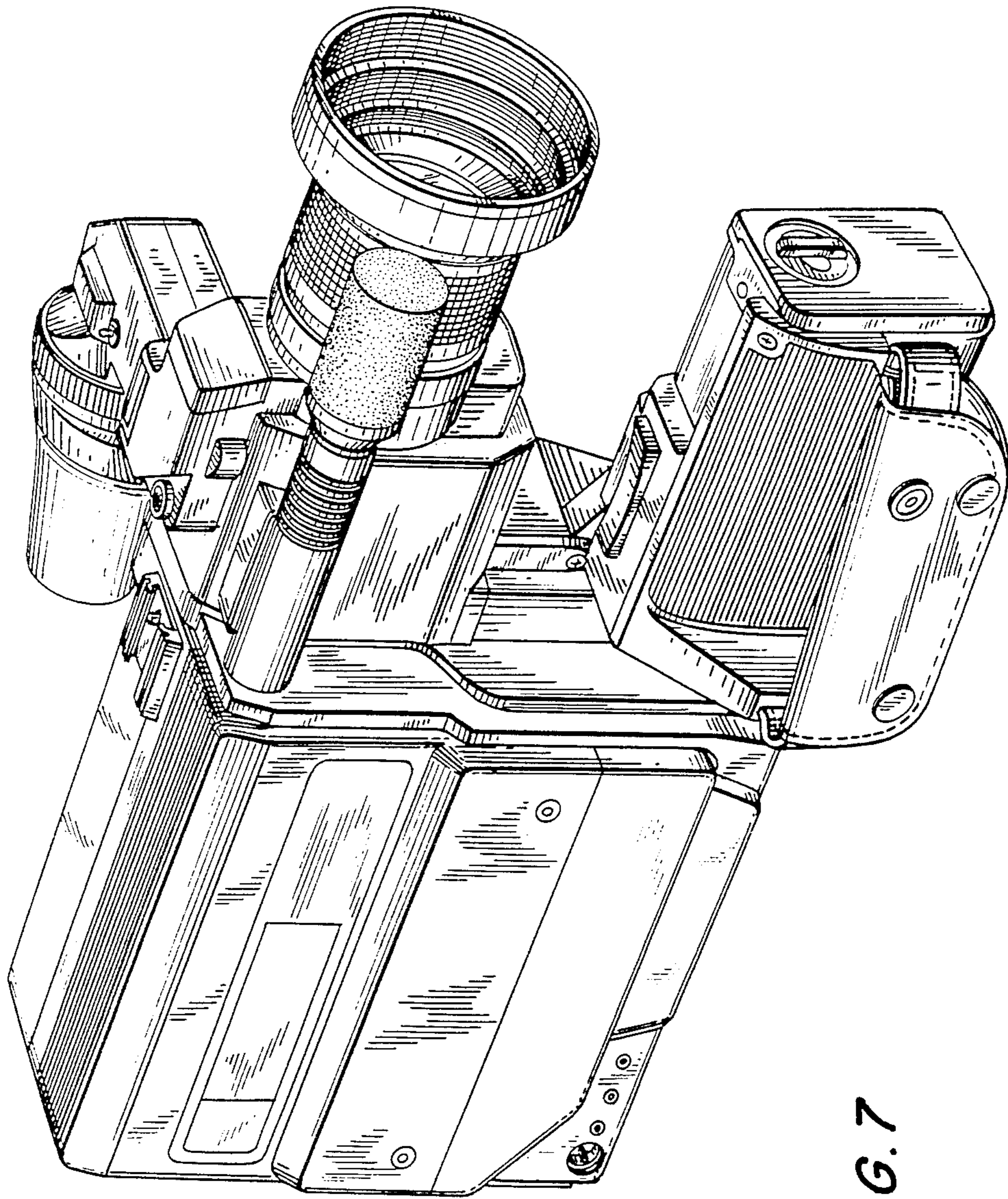


FIG. 7



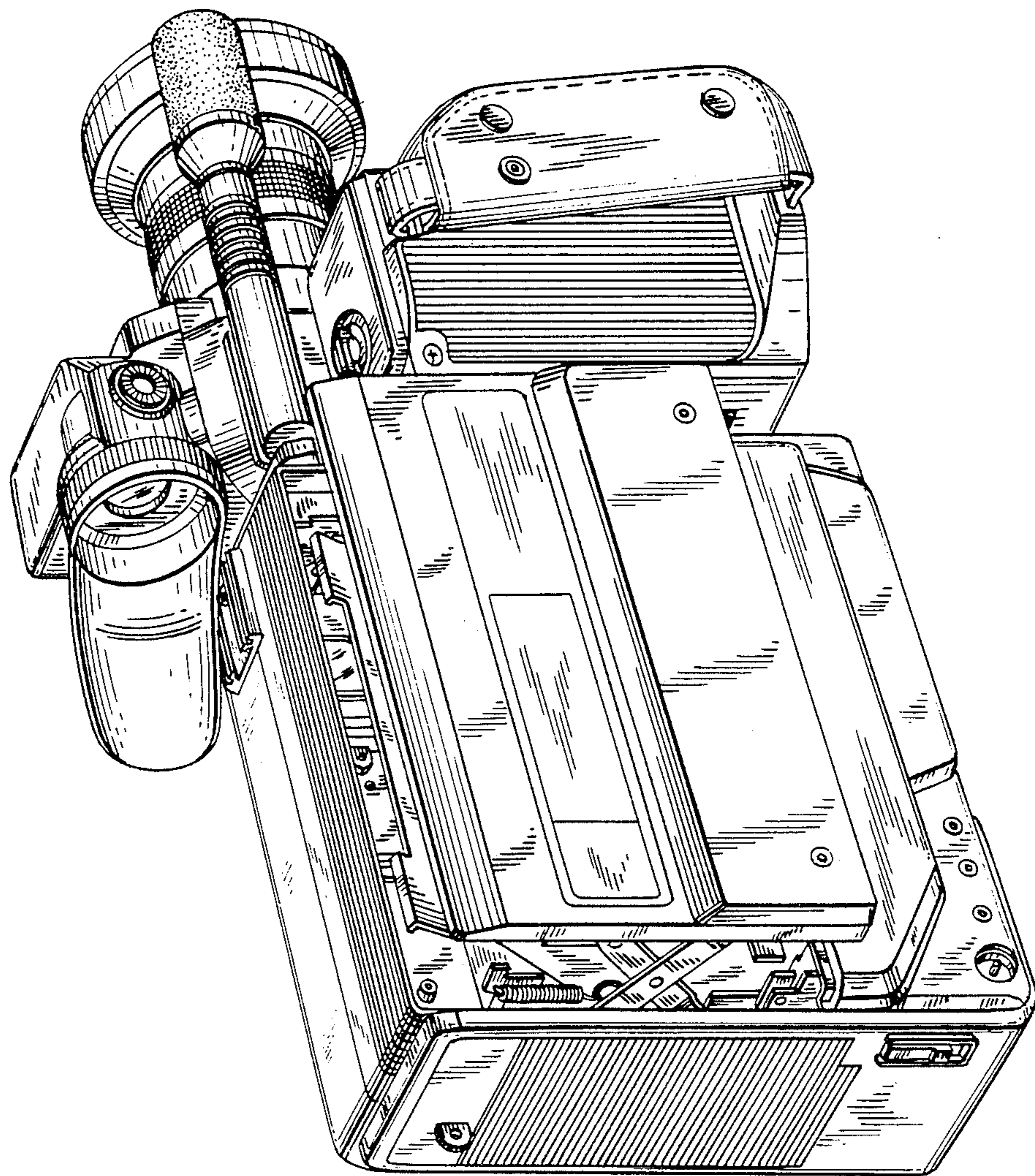


FIG. 8

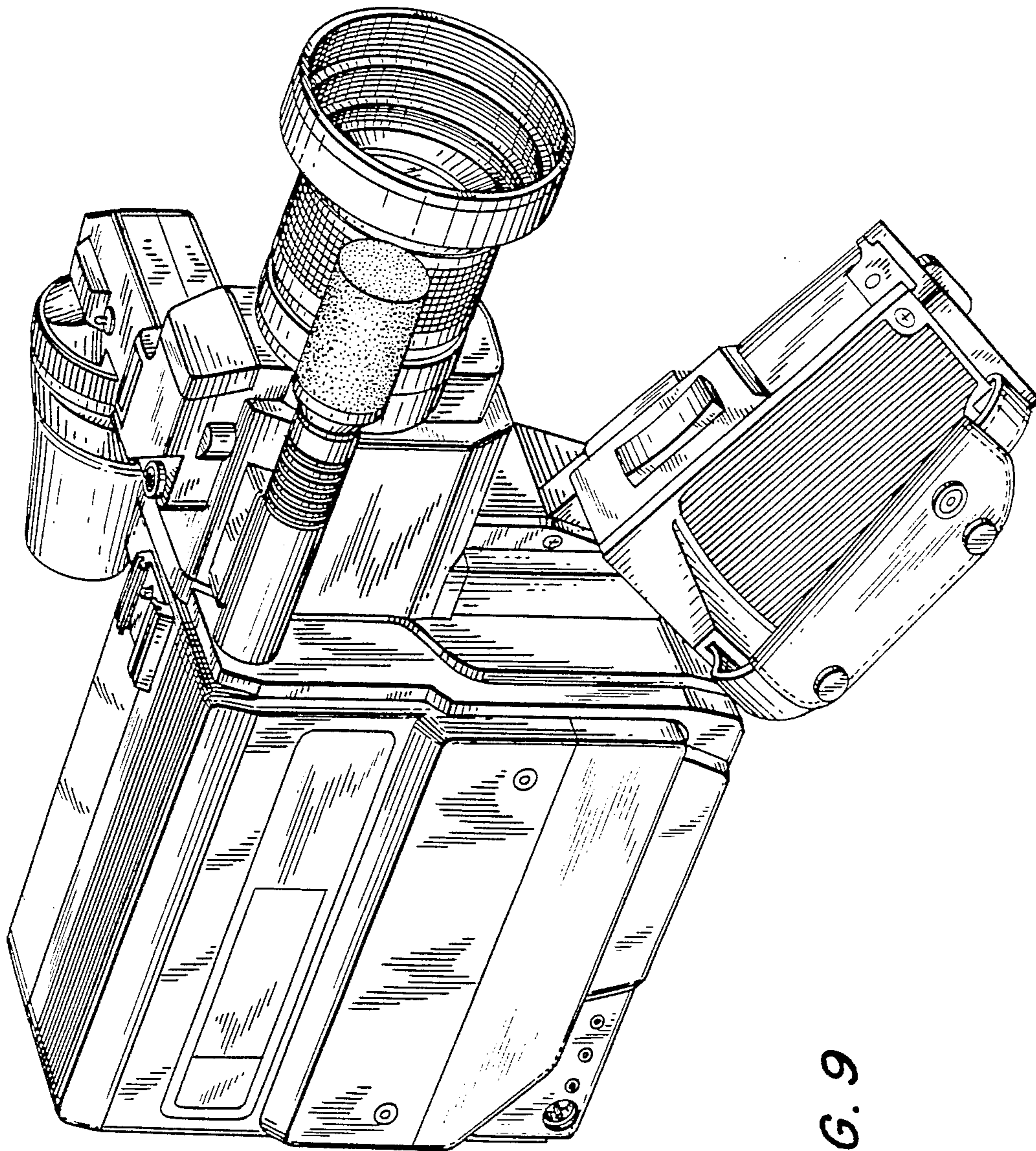


FIG. 9