

[54] TELEPHONE ANSWERING MACHINE

[75] Inventors: Noriaki Kaku; Haruzi Nakamura; Kazuo Ishida; Yasuhiko Tanaka, all of Fukuoka, Japan

[73] Assignee: Matsushita Electric Industrial Co., Ltd., Osaka, Japan

[**] Term: 14 Years

[21] Appl. No.: 559,538

[22] Filed: Dec. 8, 1983

[30] Foreign Application Priority Data

Jun. 17, 1983 [JP] Japan 58-26277

[52] U.S. Cl. D14/4

[58] Field of Search D14/1, 4-6, D14/52, 53, 59

[56] References Cited

U.S. PATENT DOCUMENTS

- D. 218,171 7/1970 Burt et al. D14/4
- D. 227,784 7/1973 Janda et al. D14/4
- D. 250,470 12/1978 Nishigaki D14/1

OTHER PUBLICATIONS

Best Products 1982/1983 Catalog, p. 304, Item #3, Phone-Mate Model 960.
 1981-1982 General Merchandise Catalog, p. 378, No. 1, 3, 4.
 1982-1983 General Merchandise Catalog, p. 372, No. 7, 8, 9.
 25th Anniversary Best Products Catalog 1981/82, p. 277, No. 1, 2, 3, 4, 5.

Primary Examiner—Jane E. Corrigan
 Attorney, Agent, or Firm—Sughrue, Mion, Zinn, Macpeak & Seas

[57] CLAIM

The ornamental design for a telephone answering machine, as shown.

DESCRIPTION

FIG. 1 is a front, top and right side perspective view of a telephone answering machine showing our new design; and
 FIG. 2 is a rear, bottom and left side perspective view thereof.

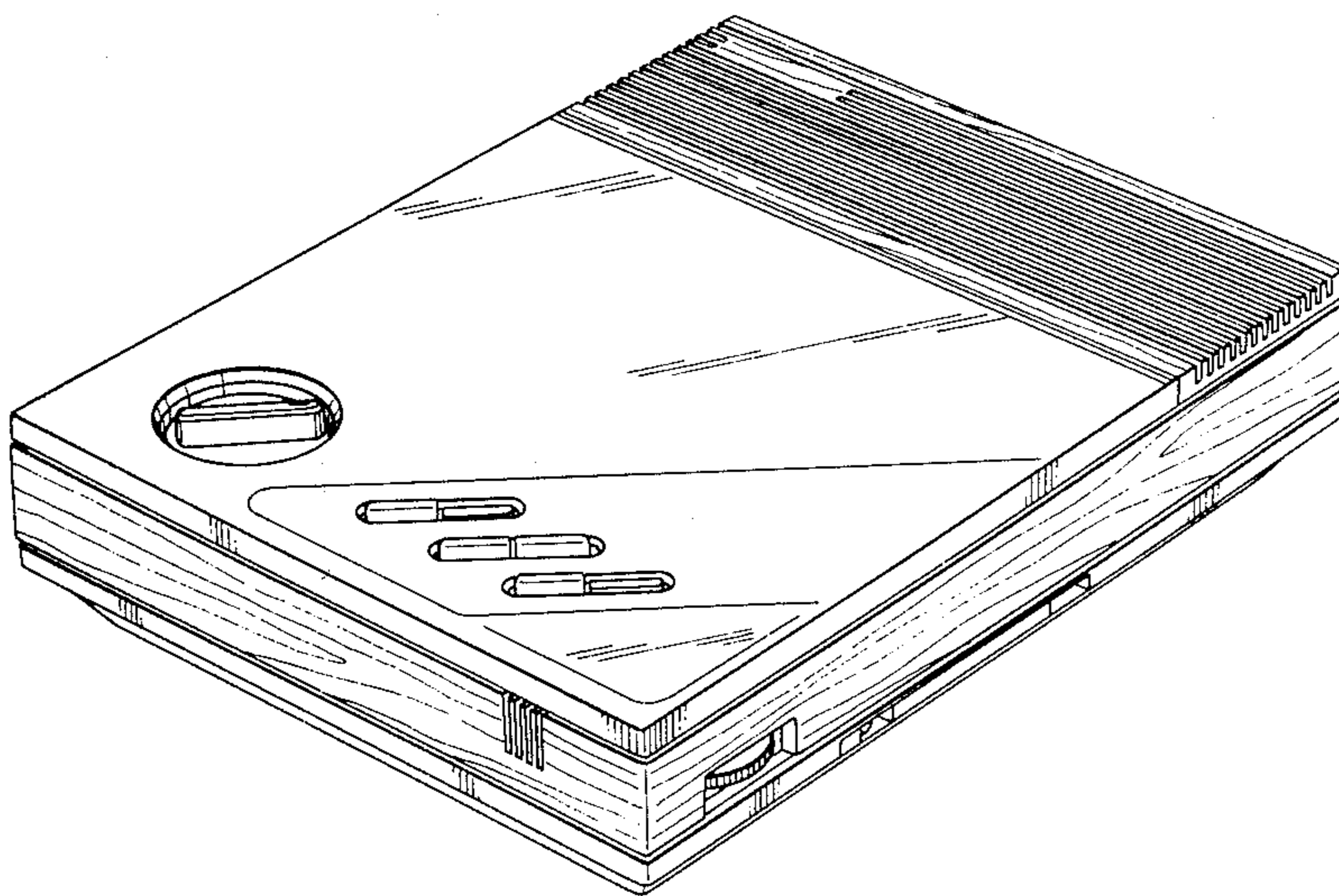


Fig. 1

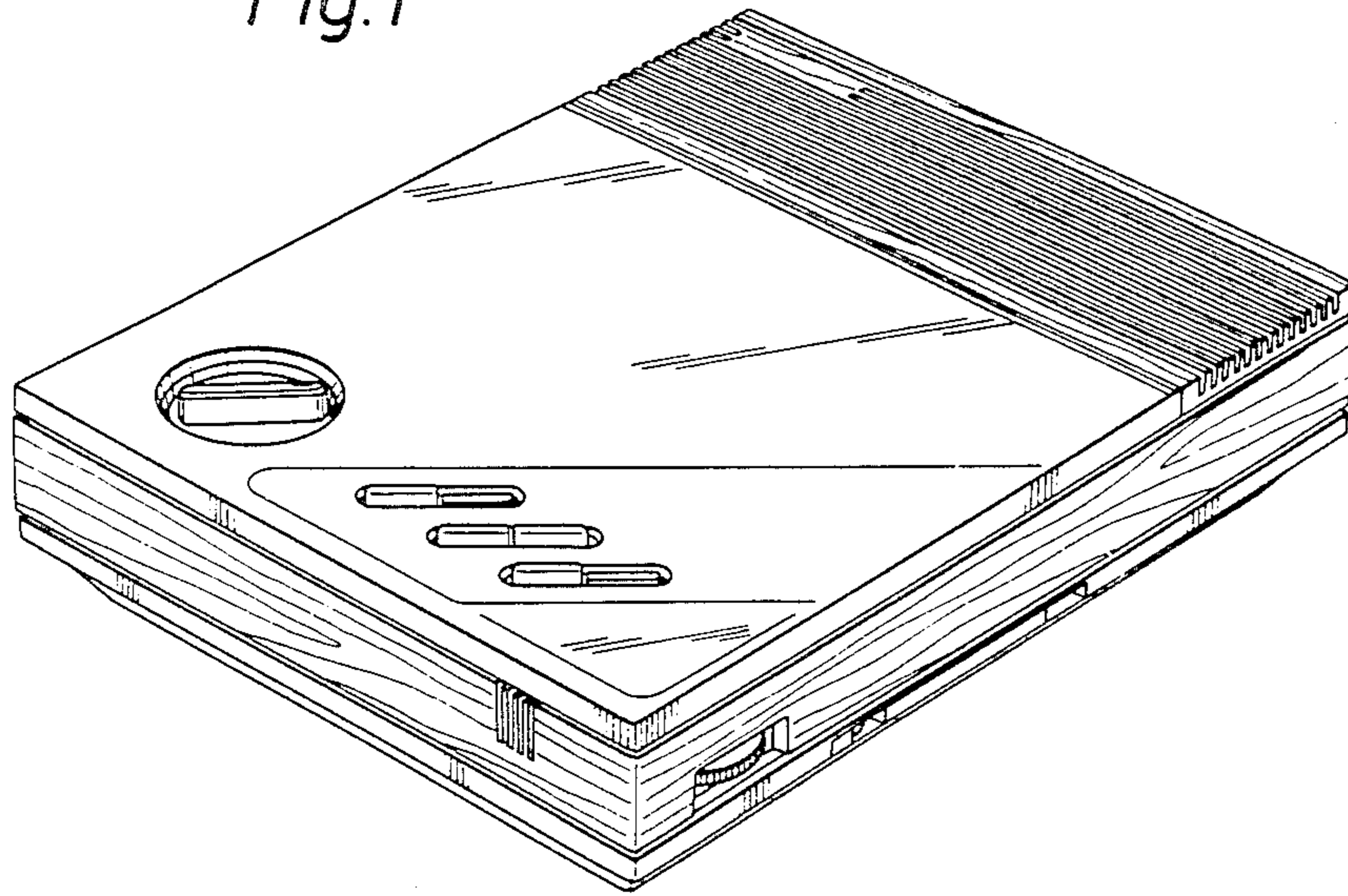


Fig. 2

