

[54] NON SLIP PEDAL COVER

DESCRIPTION

[76] Inventor: Gennaro Nista, 2733 Baker Dr., Carson City, Nev. 89701

[**] Term: 14 Years

[21] Appl. No.: 556,402

[22] Filed: Nov. 30, 1983

[52] U.S. Cl. D12/125

[58] Field of Search D12/125

[56] References Cited

U.S. PATENT DOCUMENTS

| | | | | |
|-----------|---------|---------|-------|----------|
| D. 25,031 | 12/1895 | Gendron | | D12/125 |
| D. 32,232 | 2/1900 | Diebel | | D12/125 |
| 4,345,487 | 8/1982 | Straker | | 74/594.4 |

FOREIGN PATENT DOCUMENTS

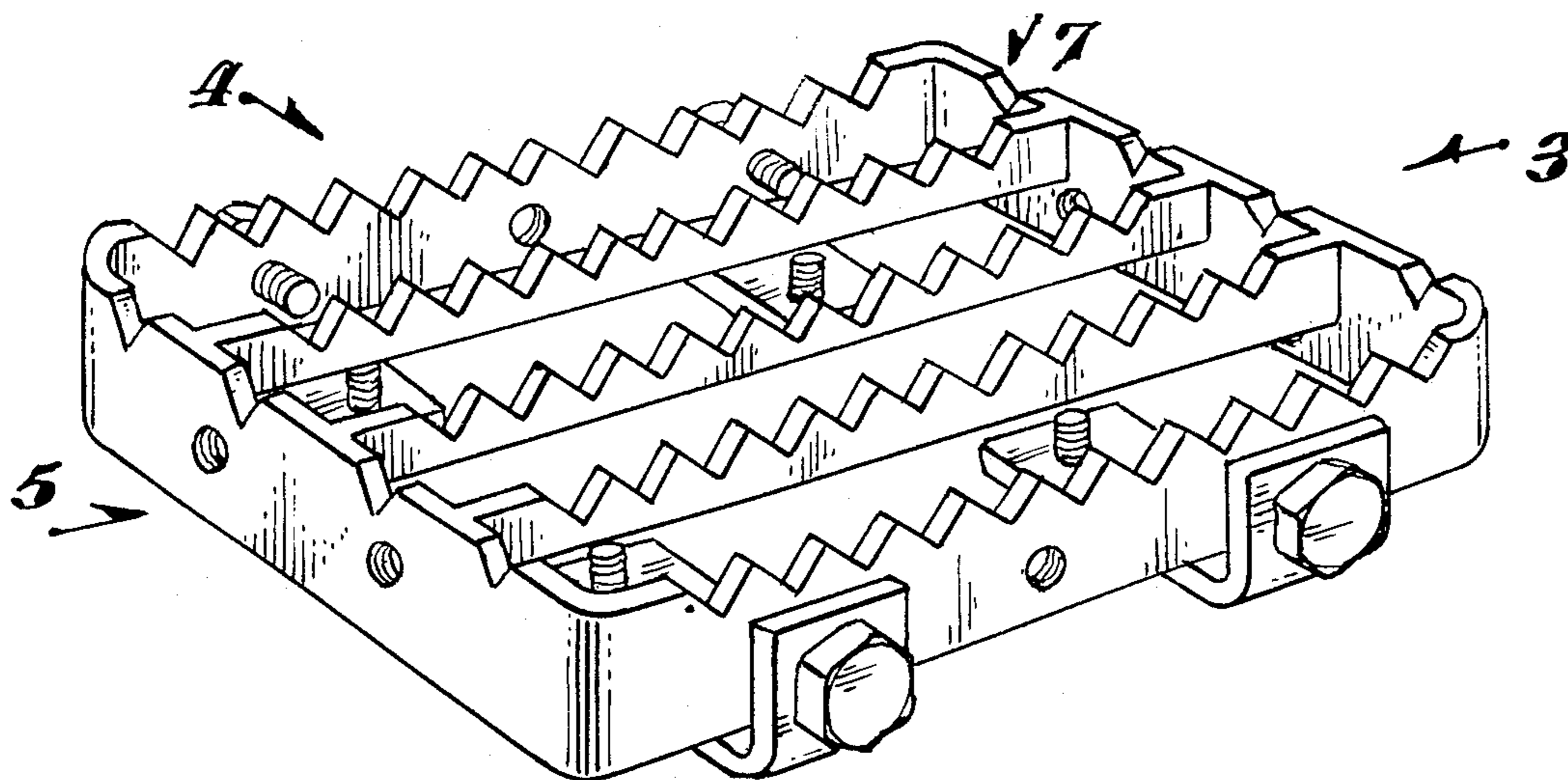
| | | | | |
|--------|---------|----------------|-------|----------|
| 862054 | 11/1940 | France | | 74/594.4 |
| 24100 | of 1906 | United Kingdom | | D12/125 |

Primary Examiner—James M. Gandy
Attorney, Agent, or Firm—Herbert C. Schulze

[57] CLAIM

The ornamental design for a non slip pedal cover, as shown and described.

FIG. 1 is a perspective view of a non slip pedal cover showing my new design;
 FIG. 2 is a top plan view thereof on a reduced scale;
 FIG. 3 is an end elevational view thereof on a reduced scale looking in the direction of arrow 3 in FIG. 1;
 FIG. 4 is a side elevational view thereof on a reduced scale looking in the direction of arrow 4 in FIG. 1;
 FIG. 5 is an end elevational view thereof on a reduced scale looking in the direction of arrow 5 in FIG. 1;
 FIG. 6 is a bottom plan view thereof on a reduced scale;
 FIG. 7 is a perspective view thereof looking in the direction of arrow 7 in FIG. 1;
 FIG. 8 is a sectional view taken along line 8—8 in FIG. 4;
 FIG. 9 is a perspective view of a non slip pedal cover showing a second embodiment of my new design;
 FIG. 10 is a top plan view of FIG. 9 on a reduced scale;
 FIG. 11 is an end elevational view of FIG. 9 on a reduced scale looking in the direction of arrow 11 therein;
 FIG. 12 is a side elevational view of FIG. 9 on a reduced scale looking in the direction of arrow 12 therein;
 FIG. 13 is an end elevational view of FIG. 9 on a reduced scale looking in the direction of arrow 13 therein;
 FIG. 14 is a bottom plan view of FIG. 9 on a reduced scale;
 FIG. 15 is a perspective view of FIG. 9 looking in the direction of arrow 15 therein; and
 FIG. 16 is a sectional view taken along line 16—16 in FIG. 12.



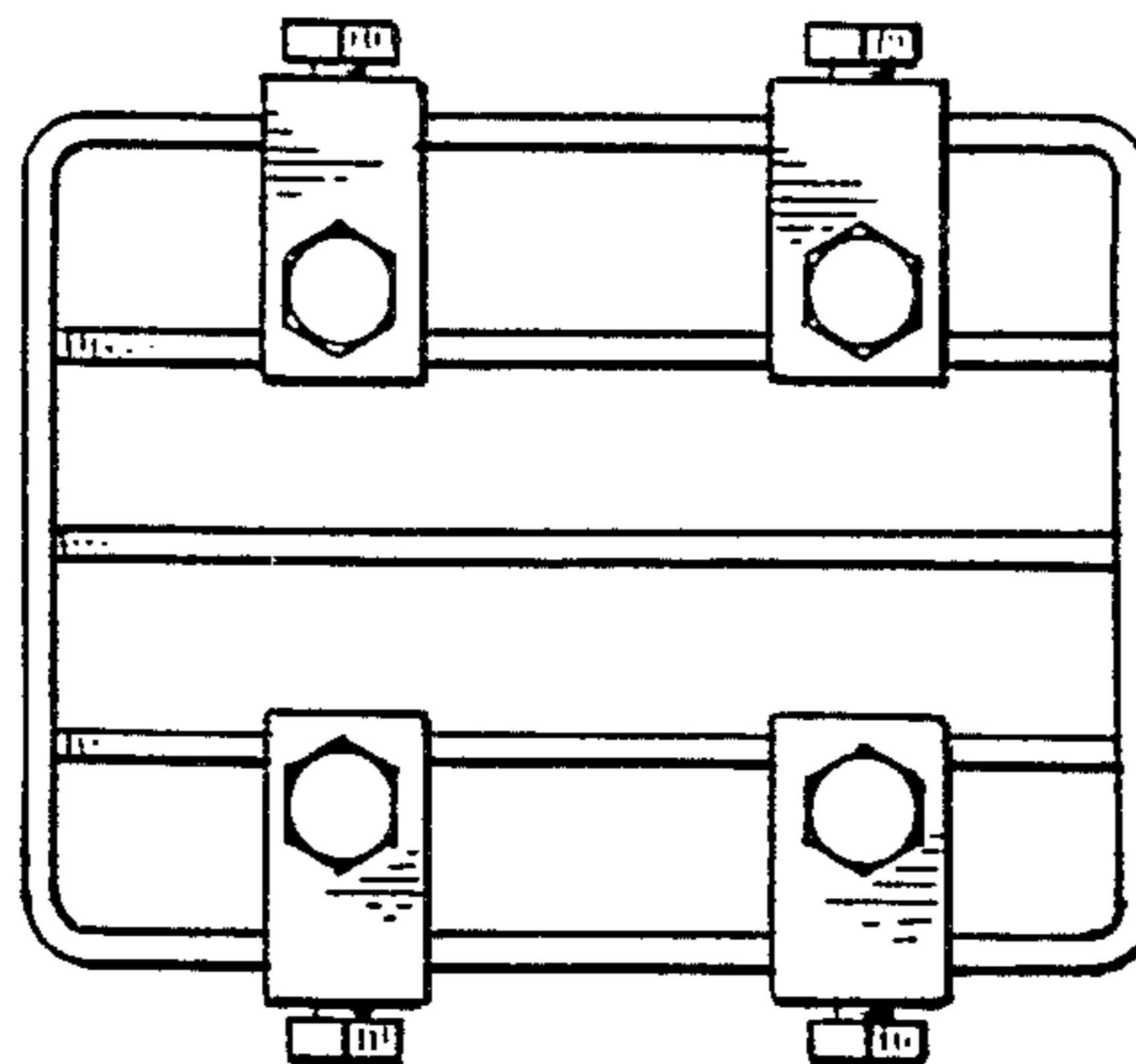
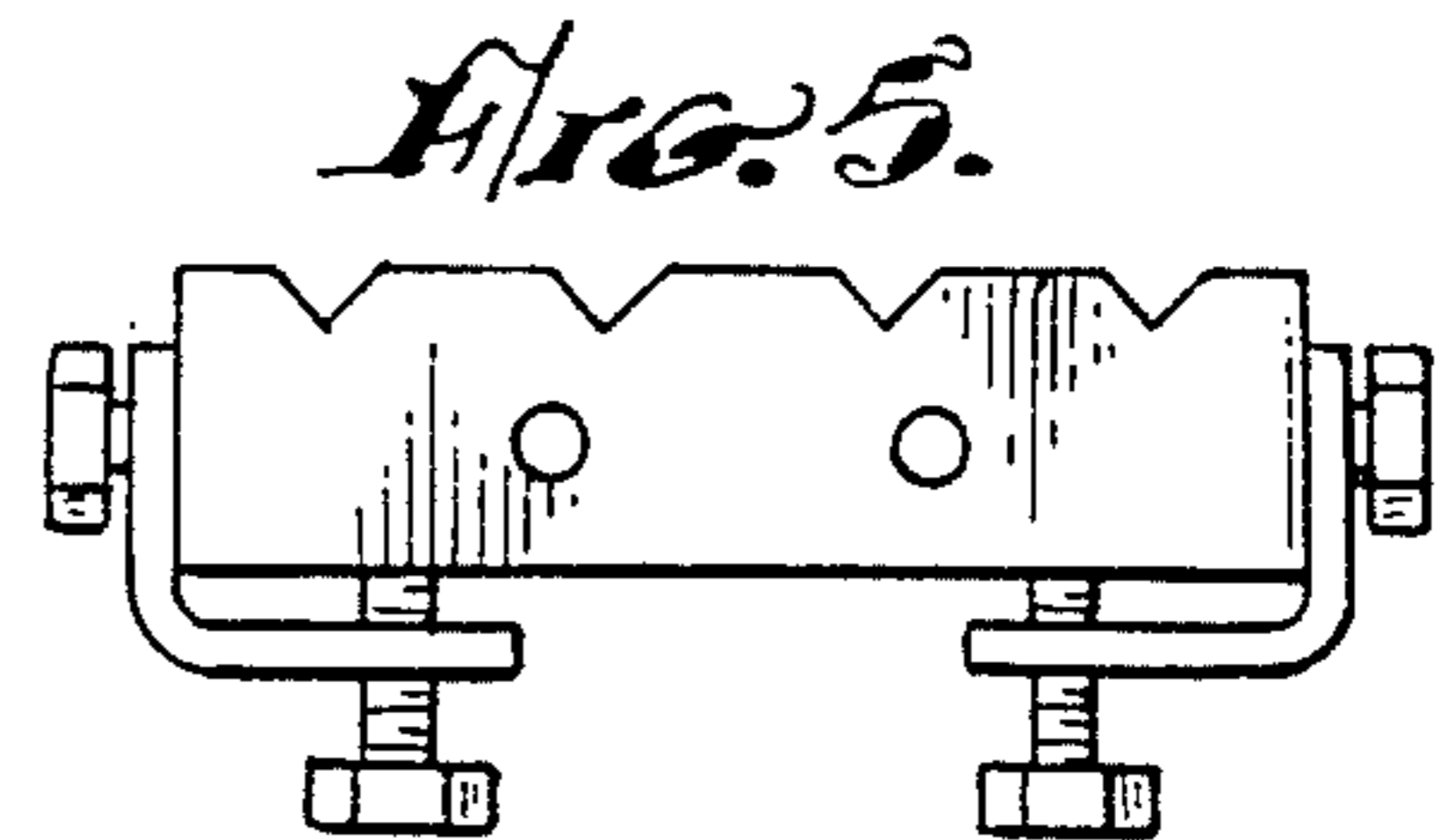
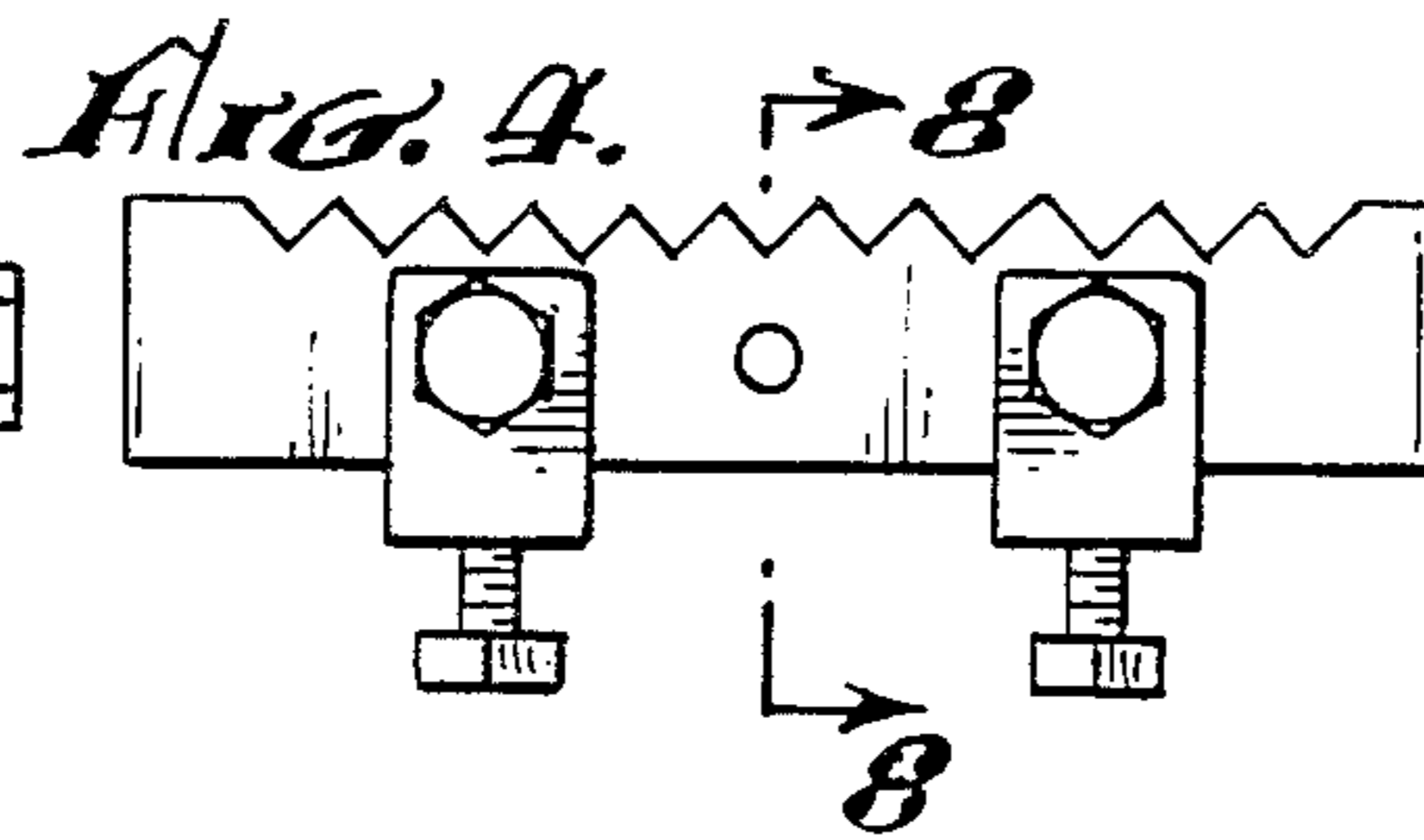
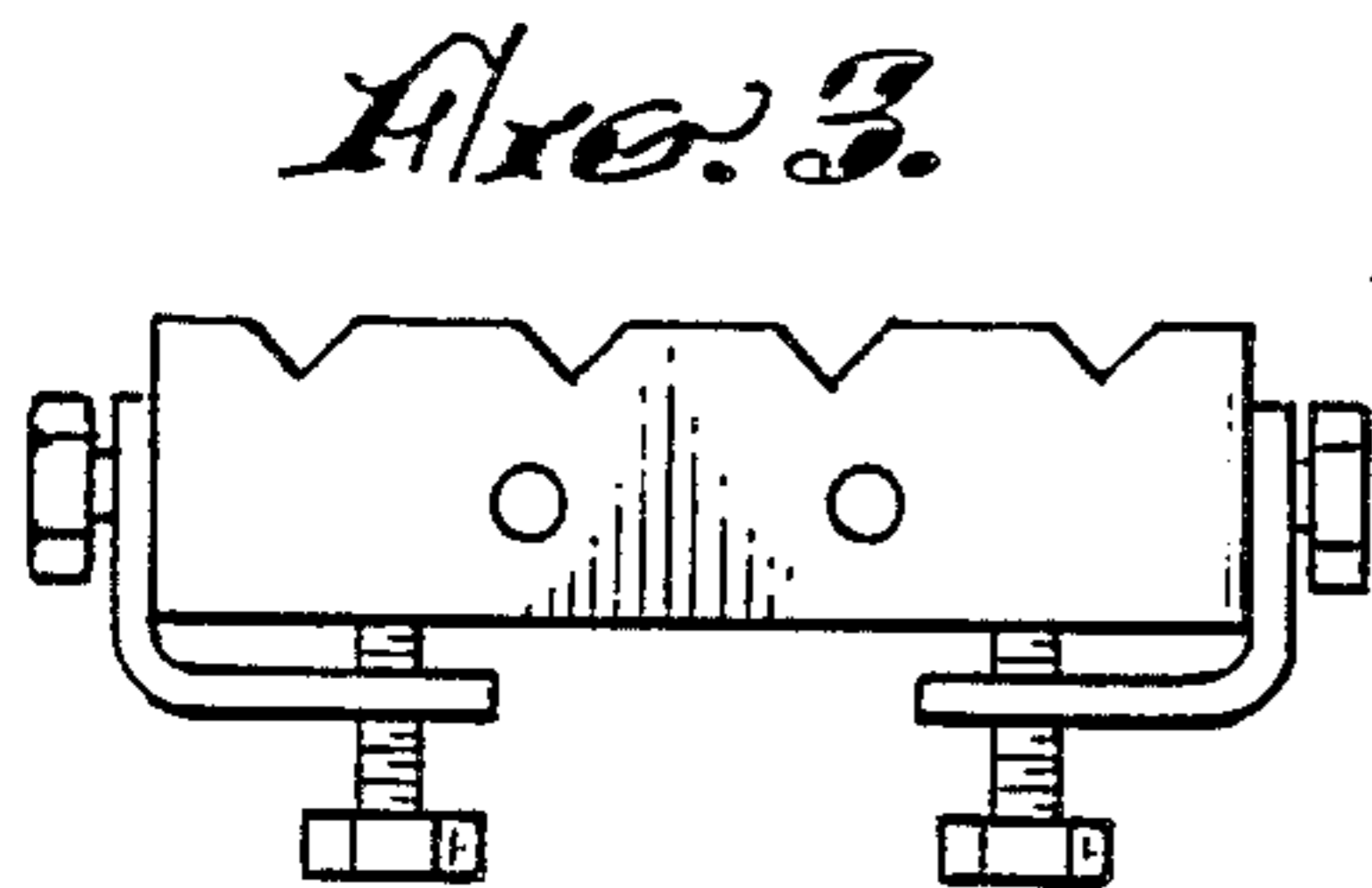
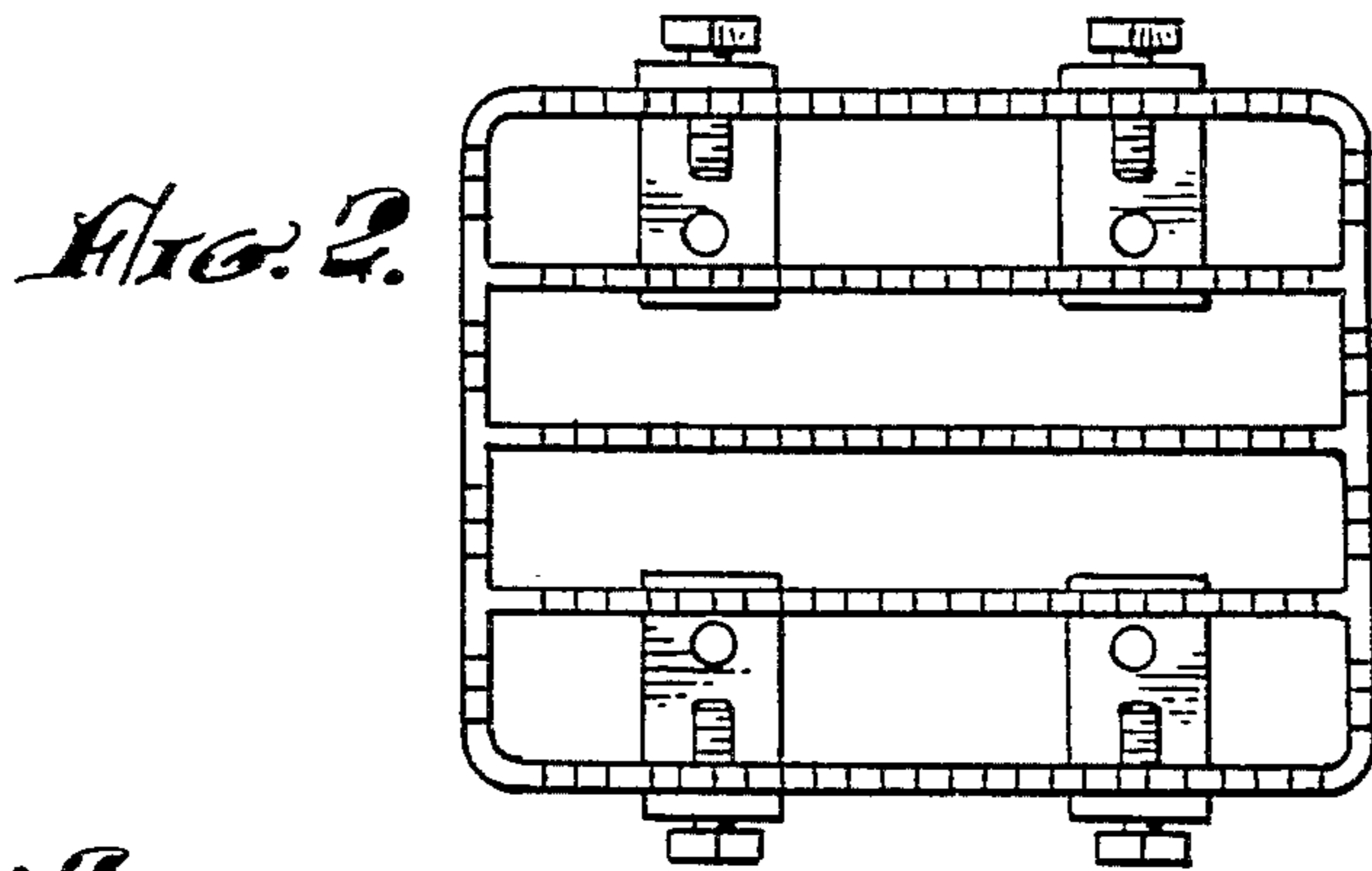
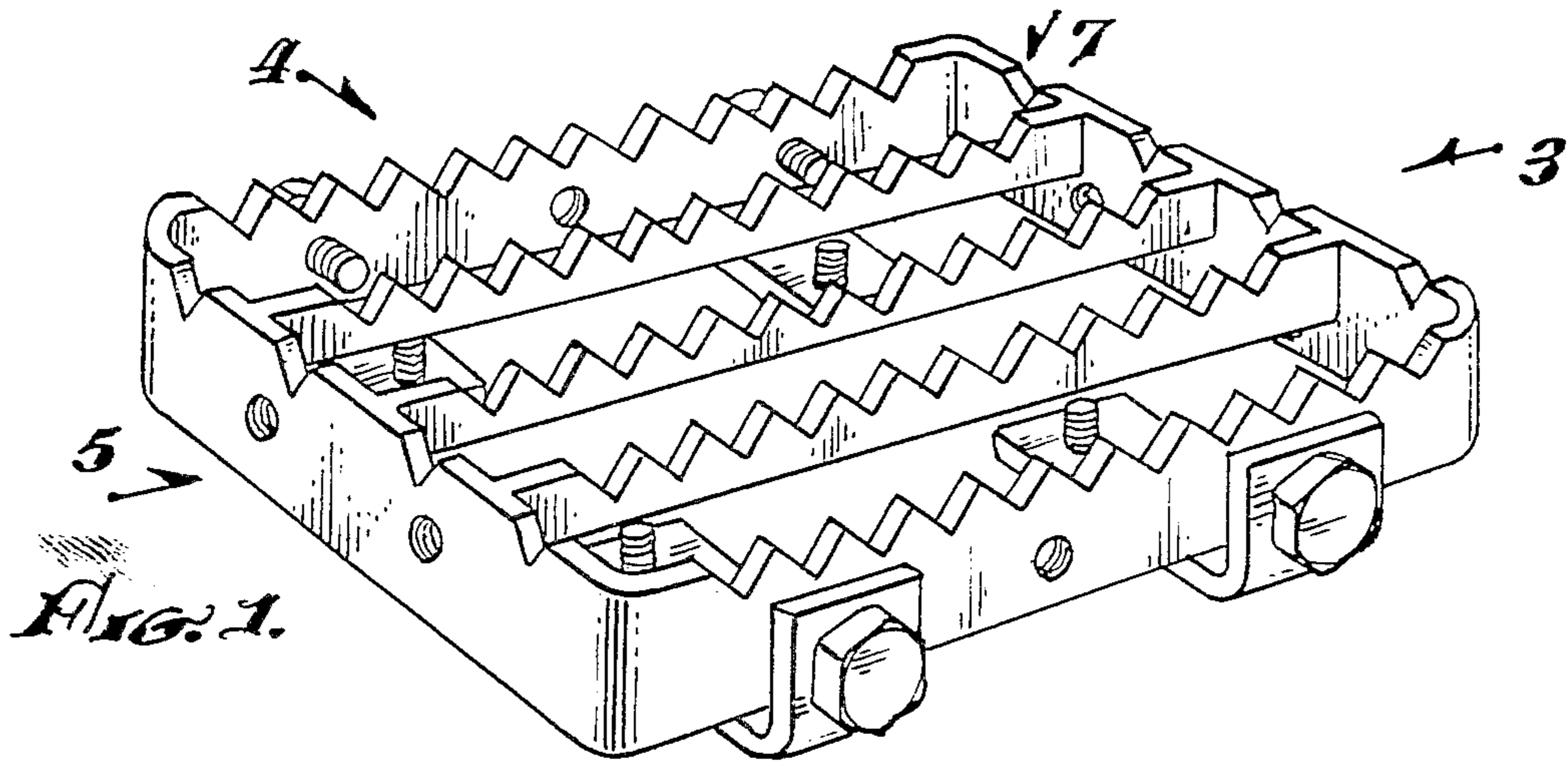
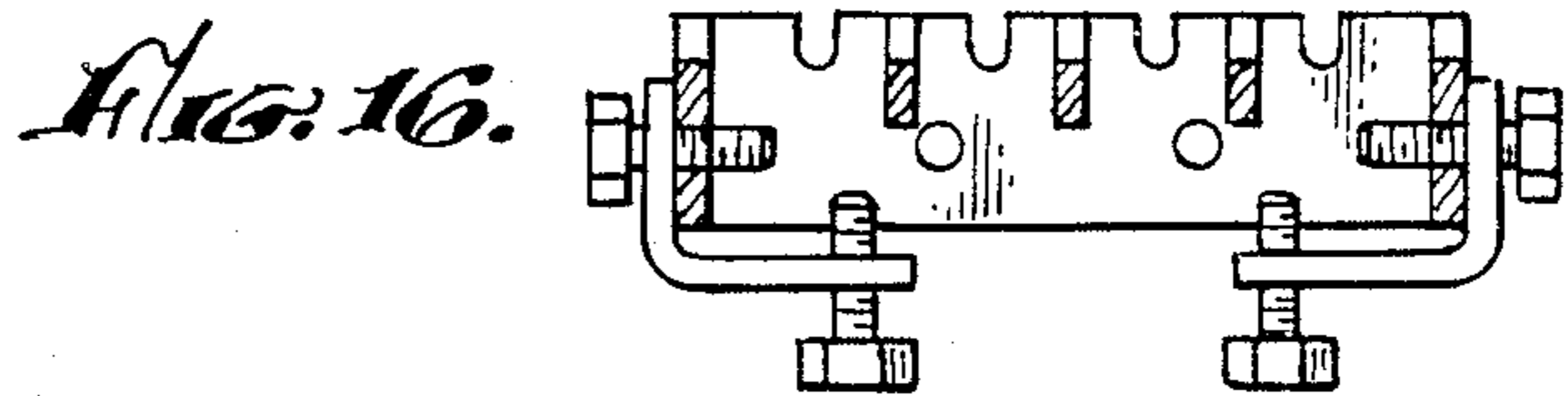
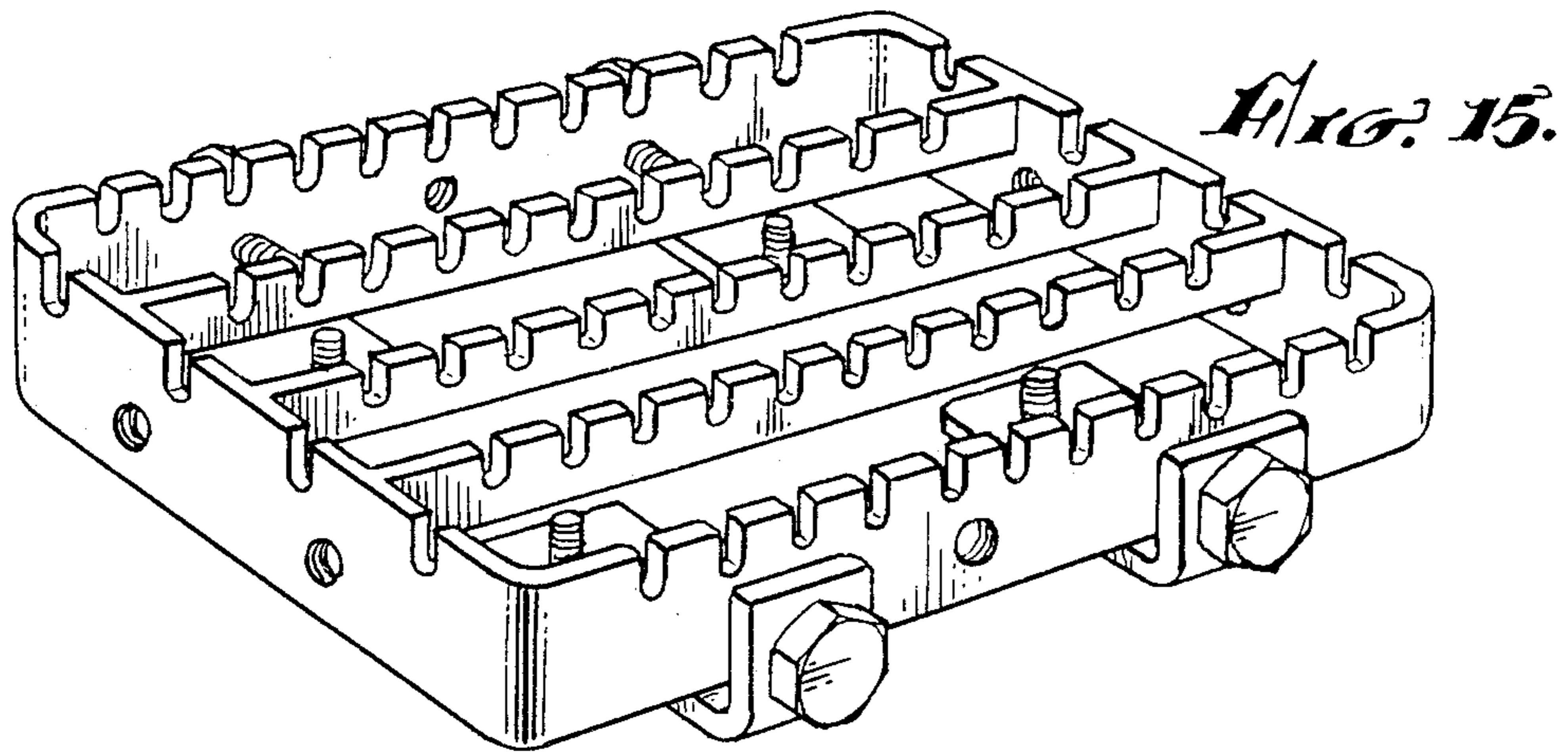
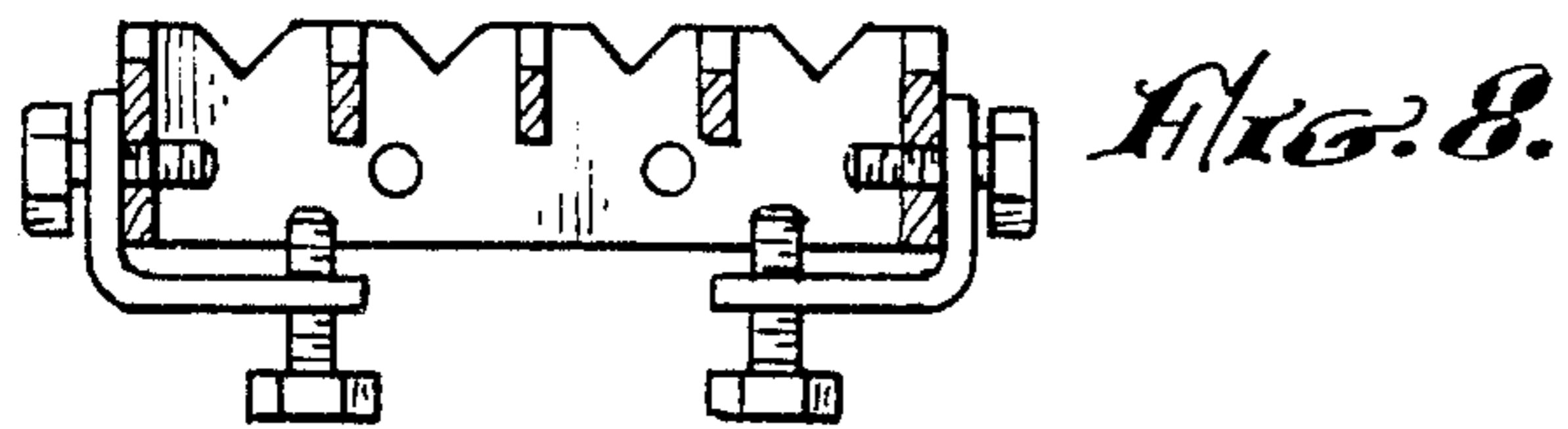
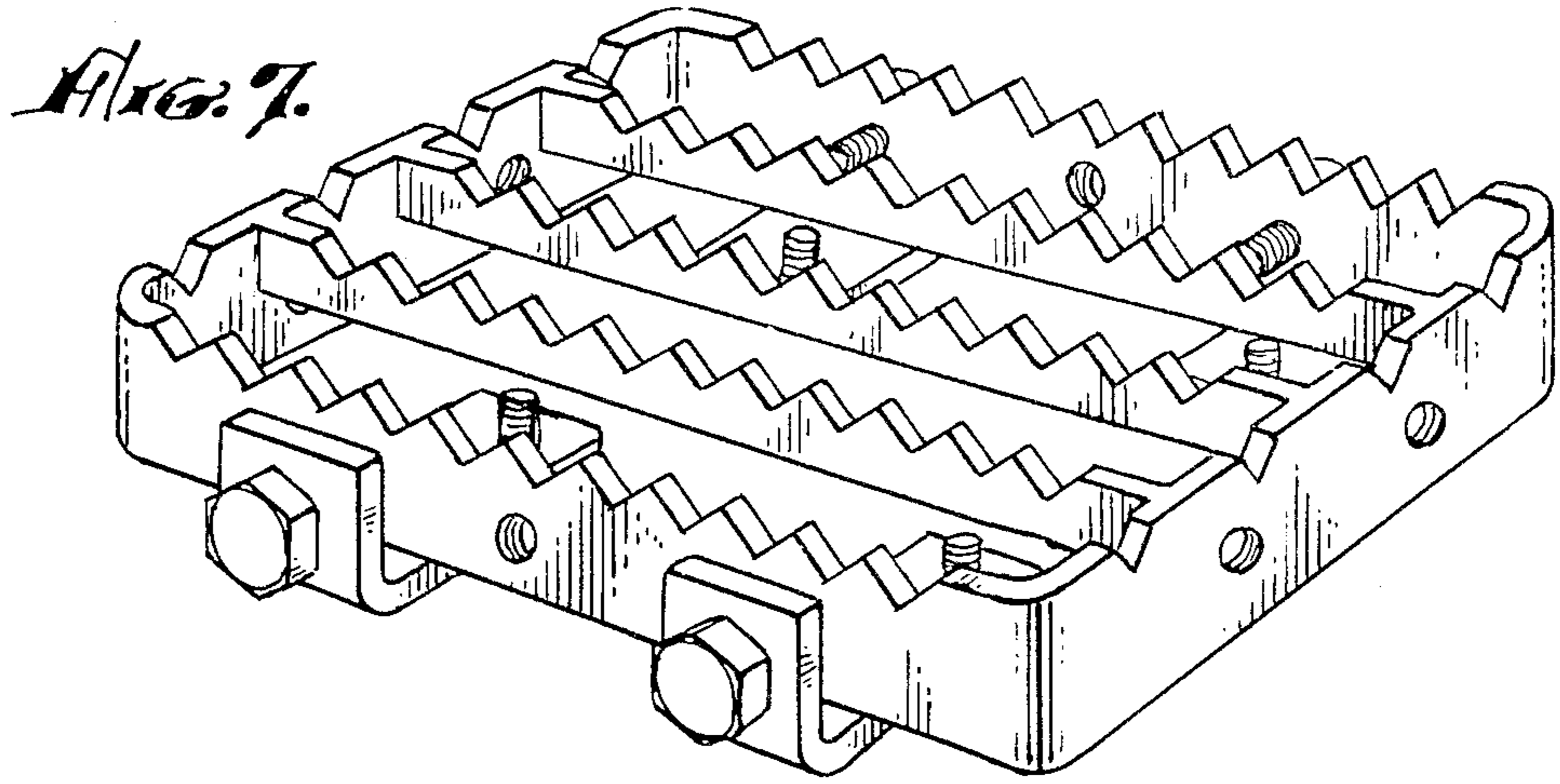


FIG. 6.



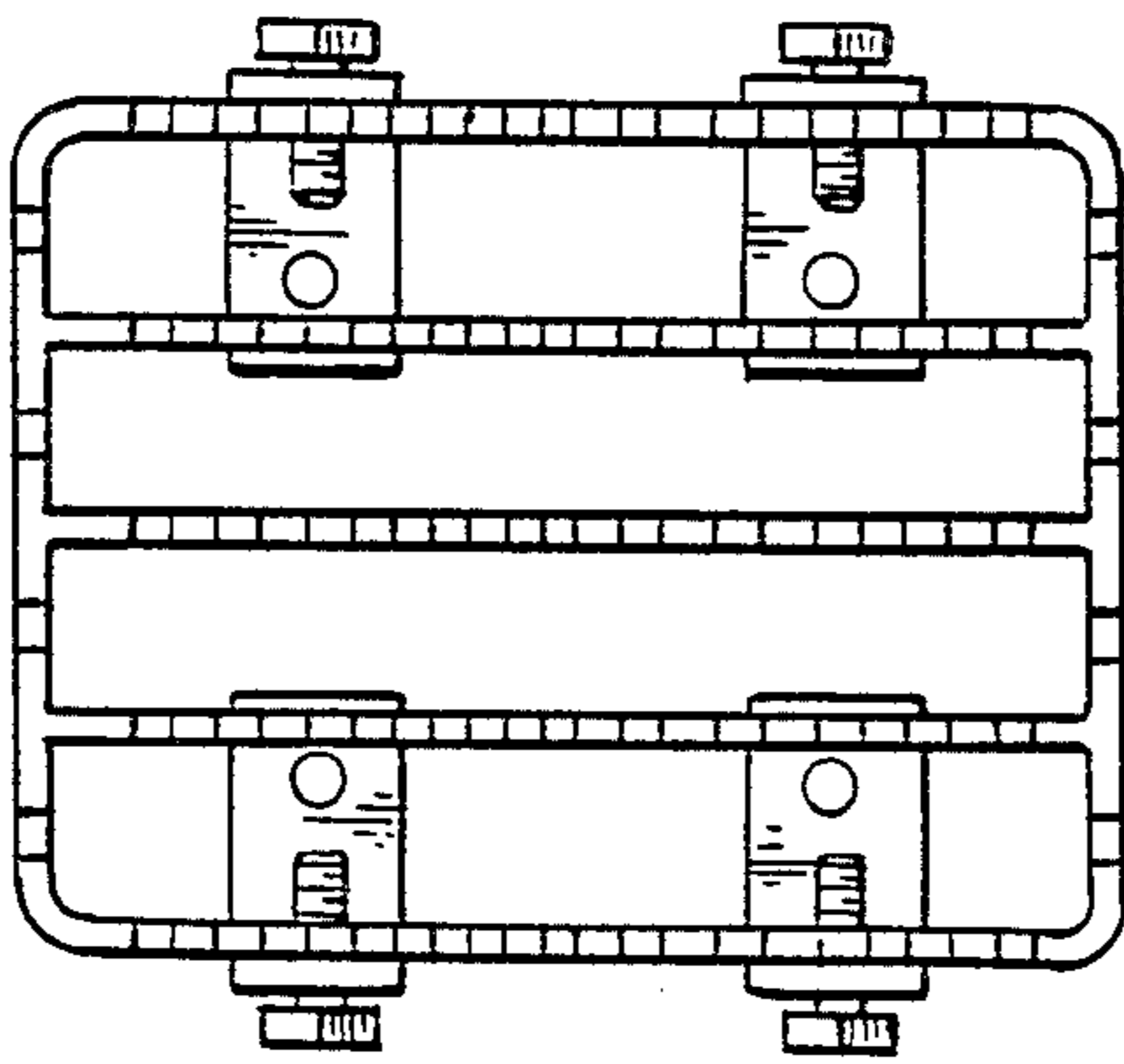
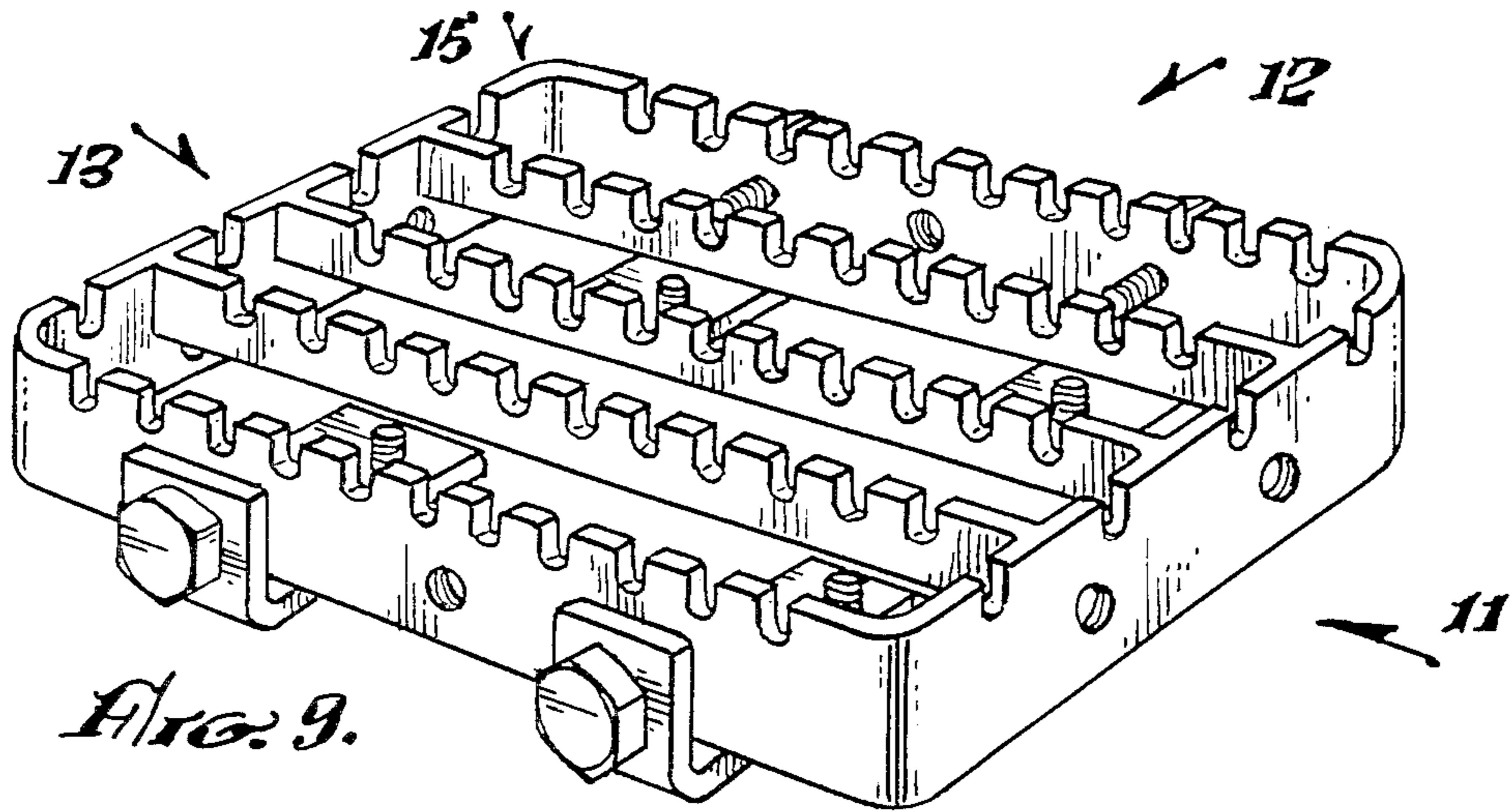


Fig. 10.

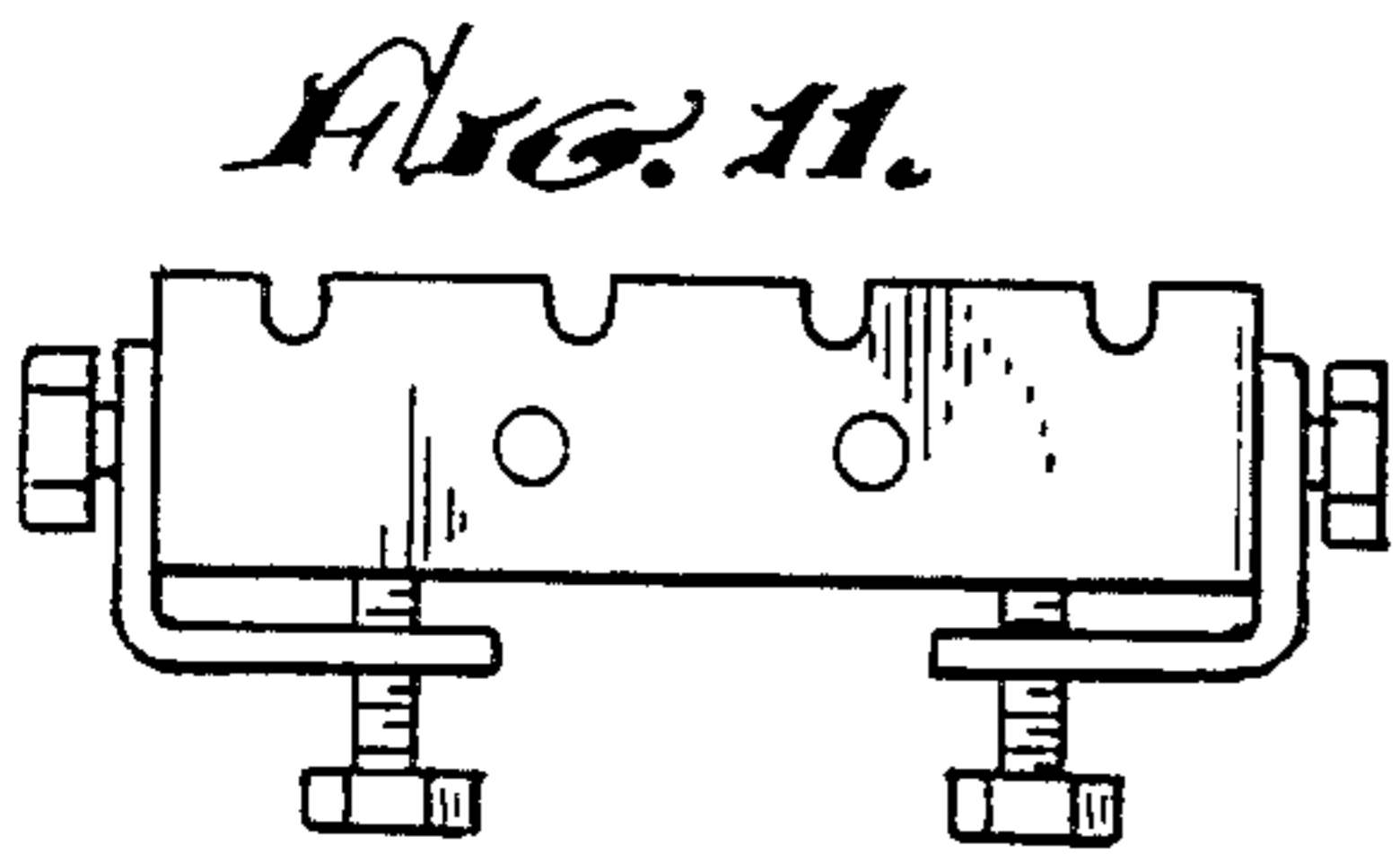


Fig. 11.

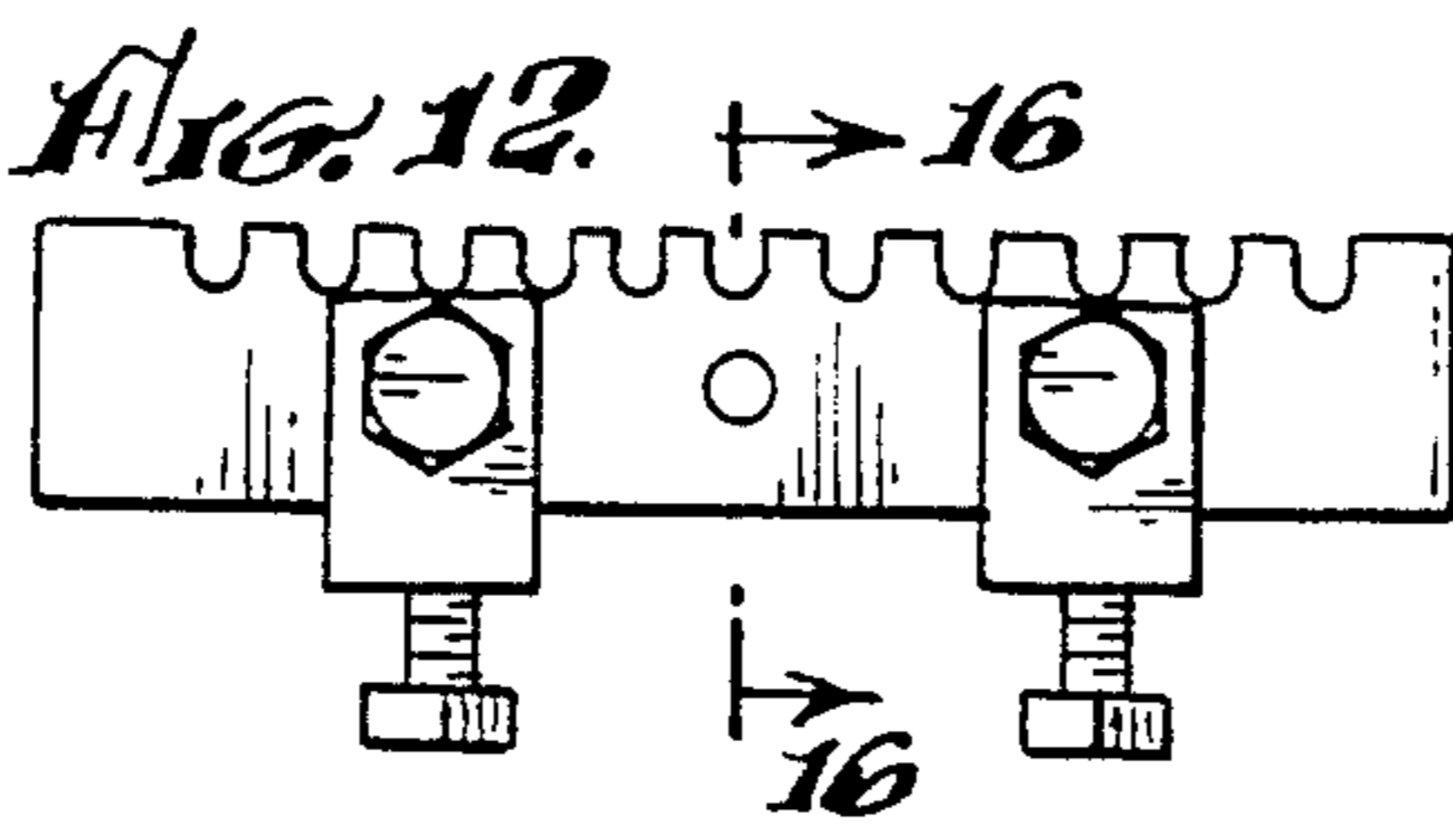


Fig. 12. + → 16

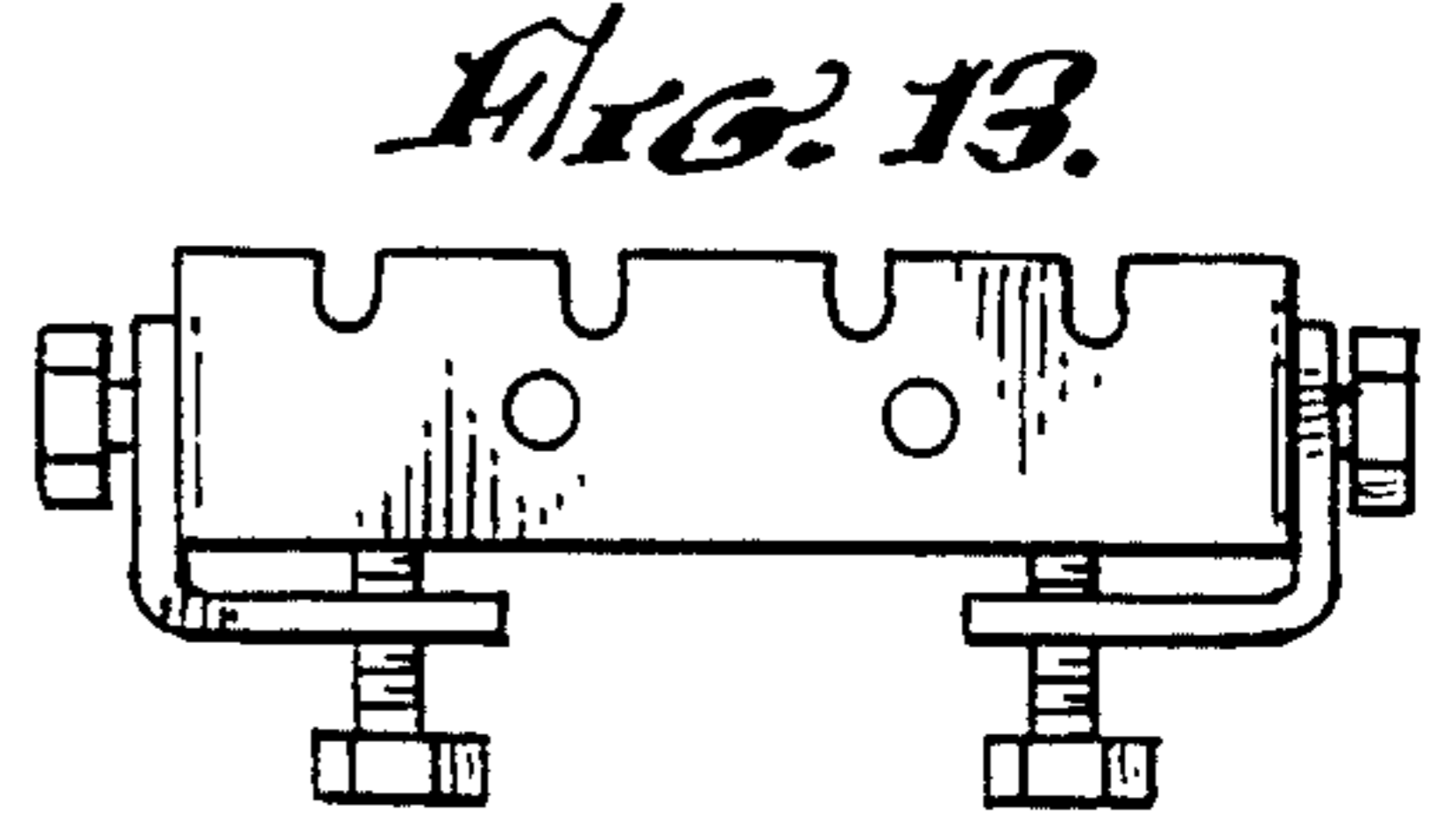


Fig. 13.

Fig. 14.

