

[54] COMMUNICATION SYSTEM ANALYZER OR SIMILAR ARTICLE

3,428,888	2/1969	Nolte	324/73 R
3,870,953	3/1975	Boatman	324/73 R
3,890,836	6/1975	McKenzie	324/73 R X
4,034,287	7/1977	Manduley	324/73 R
4,146,085	3/1979	Wills	324/73 R X

[75] Inventor: Kenneth W. Larson, Elmhurst, Ill.

[73] Assignee: Motorola, Inc., Schaumburg, Ill.

[**] Term: 14 Years

[21] Appl. No.: 524,726

[22] Filed: Aug. 19, 1983

[52] U.S. Cl. D10/78; D10/46

[58] Field of Search D10/46, 75, 78, 80; 324/156, 72.5, 73 R, 115; 364/442; 455/67, 115, 226

[56] References Cited

U.S. PATENT DOCUMENTS

D. 209,825	1/1968	Smith	D10/46
D. 263,207	3/1982	Bickley et al.	D10/80
3,412,614	11/1968	Mazurkevics	73/431

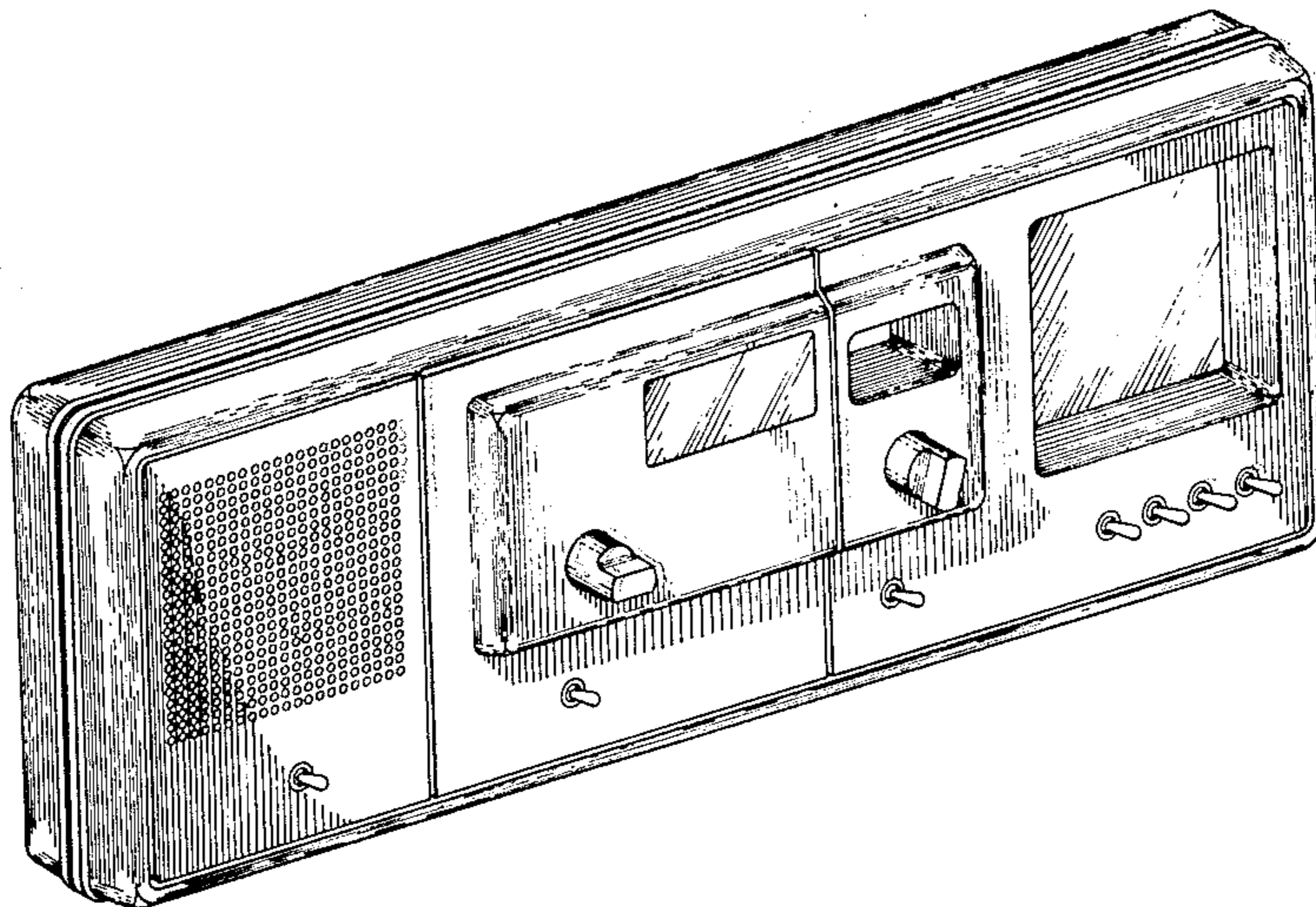
Primary Examiner—Nelson C. Holtje
Attorney, Agent, or Firm—James W. Gillmann; Edward M. Roney

[57] CLAIM

The ornamental design for a communication system analyzer or similar article, substantially as shown and described.

DESCRIPTION

FIG. 1 is a front and top-left perspective view of a communication system analyzer or similar article showing my new design;
FIG. 2 is a right side elevational view thereof;
FIG. 3 is a rear elevational view thereof;
FIG. 4 is a bottom plan view thereof.



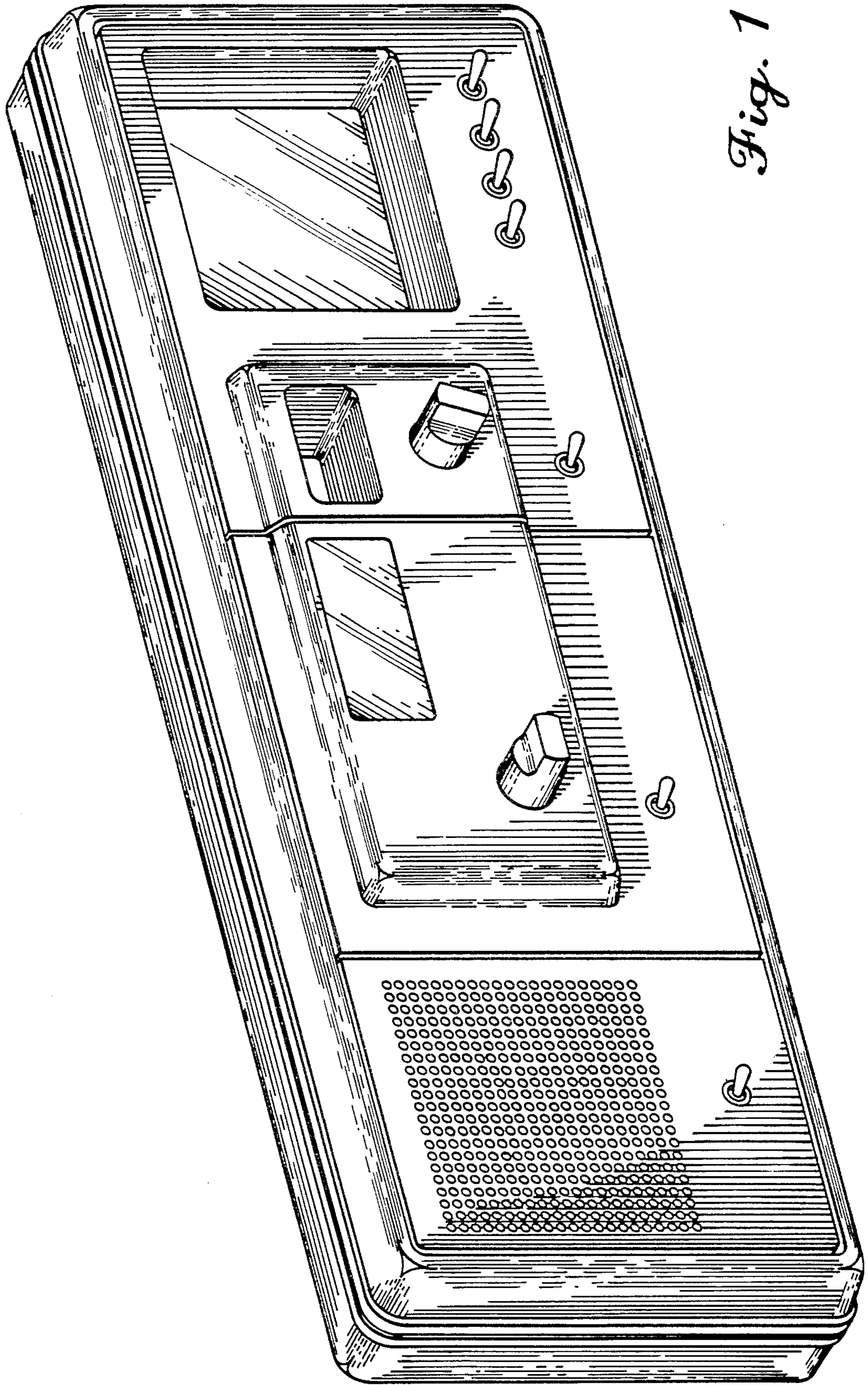


Fig. 1

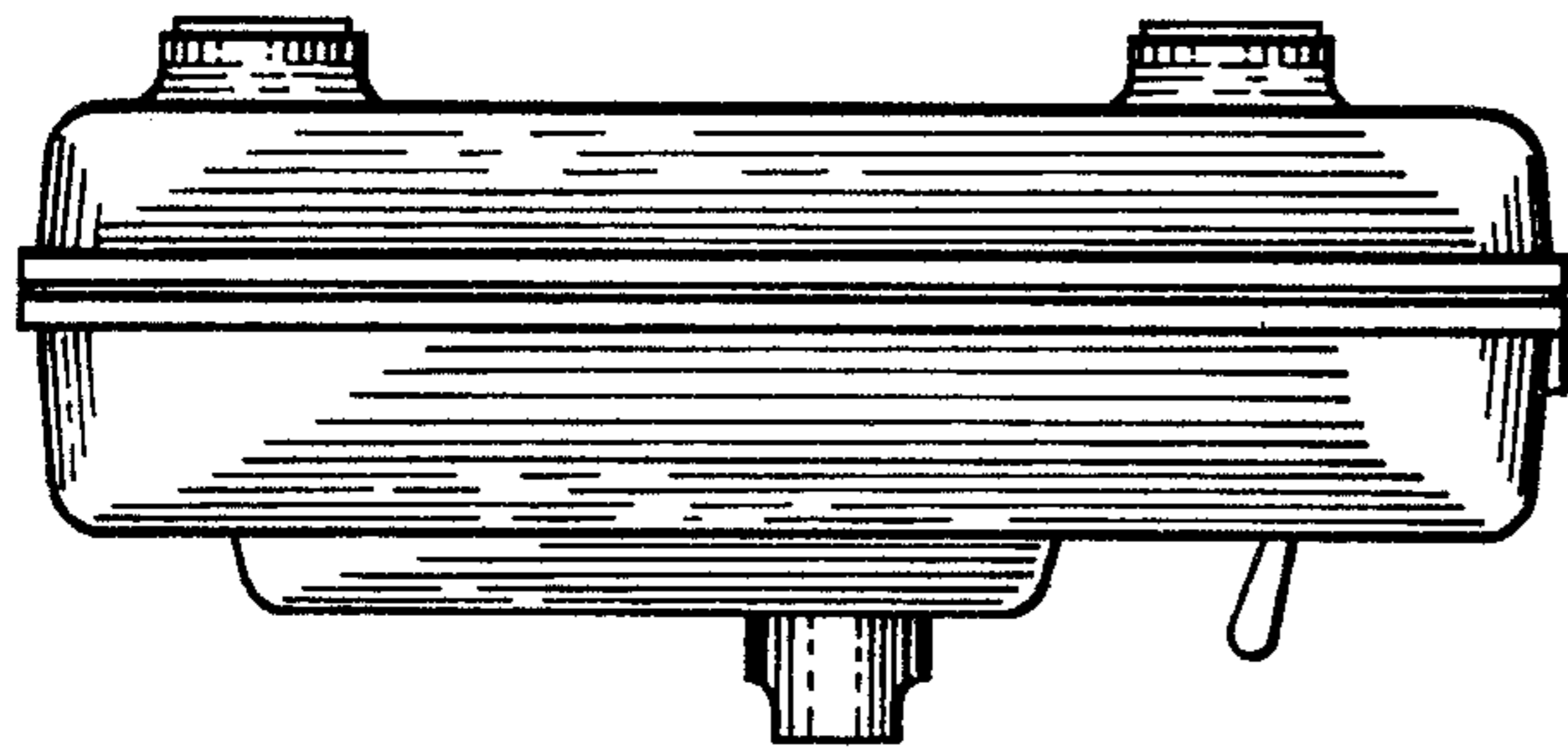


Fig. 2

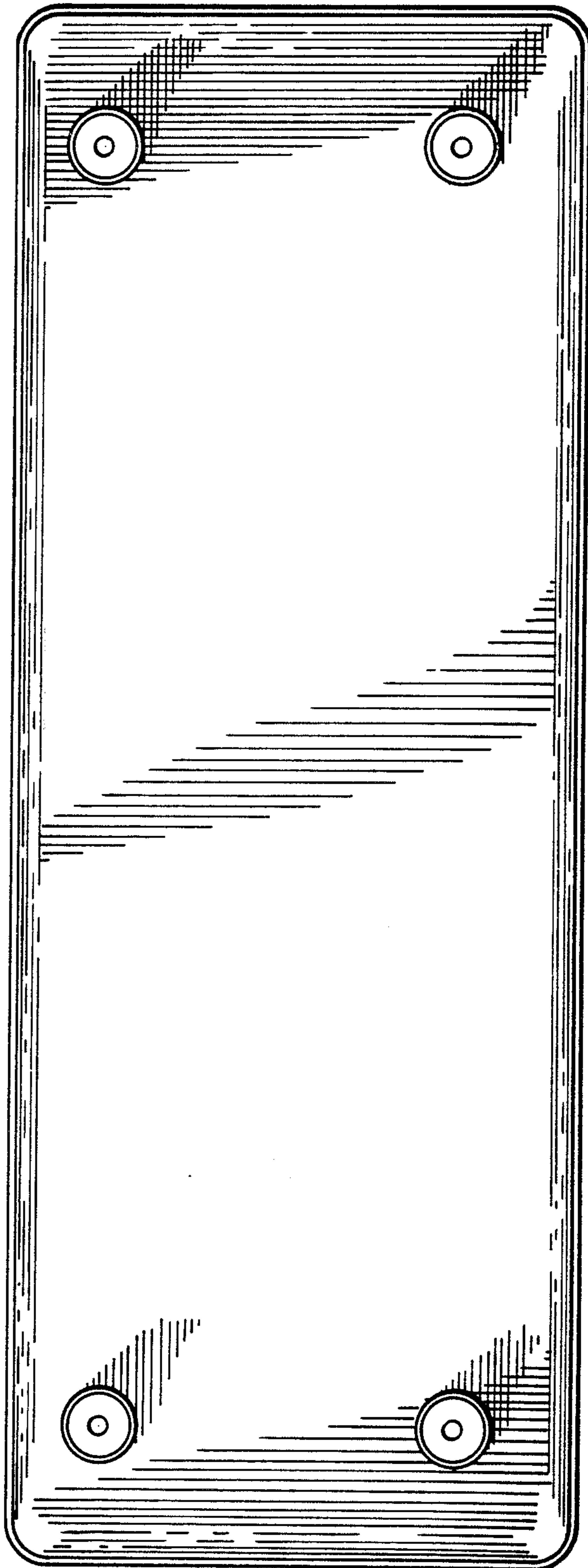


Fig. 3

Fig. 4

