

[54] **REFLECTANCE COLORIMETER**

[75] Inventor: **Kenneth D. Collister, Elkhart, Ind.**  
[73] Assignee: **Miles Laboratories, Inc., Elkhart, Ind.**  
[\*\*] Term: **14 Years**  
[21] Appl. No.: **502,295**  
[22] Filed: **Jun. 8, 1983**  
[52] U.S. Cl. .... **D10/46; D10/81**  
[58] Field of Search ..... **D10/46, 47, 81, 57, D10/103; 356/402, 445, 446, 447, 448**

[56] **References Cited**

**U.S. PATENT DOCUMENTS**

D. 217,988	7/1970	Casterline	.....	D10/102 X
D. 241,042	8/1976	Kupiec	.....	D10/46
D. 245,434	8/1977	Beidler et al.	.....	D24/17
D. 250,810	1/1979	Stern	.....	D10/81 X
D. 256,099	7/1980	Schmidt	.....	D10/81 X
D. 258,273	2/1981	Collister et al.	.....	D10/46
D. 261,623	11/1981	Collister et al.	.....	D10/46
D. 271,029	10/1983	Nagel et al.	.....	D10/46 X
3,451,756	6/1969	Young	.....	356/448 X
3,924,948	12/1975	Thoden	.....	356/445 X

**FOREIGN PATENT DOCUMENTS**

WO83/01111 3/1983 PCT Int'l. Appl. .... 356/402

**OTHER PUBLICATIONS**

*Chemical Engineering*-7/14/69-p. 68-Color-Matching Machine at top-left.

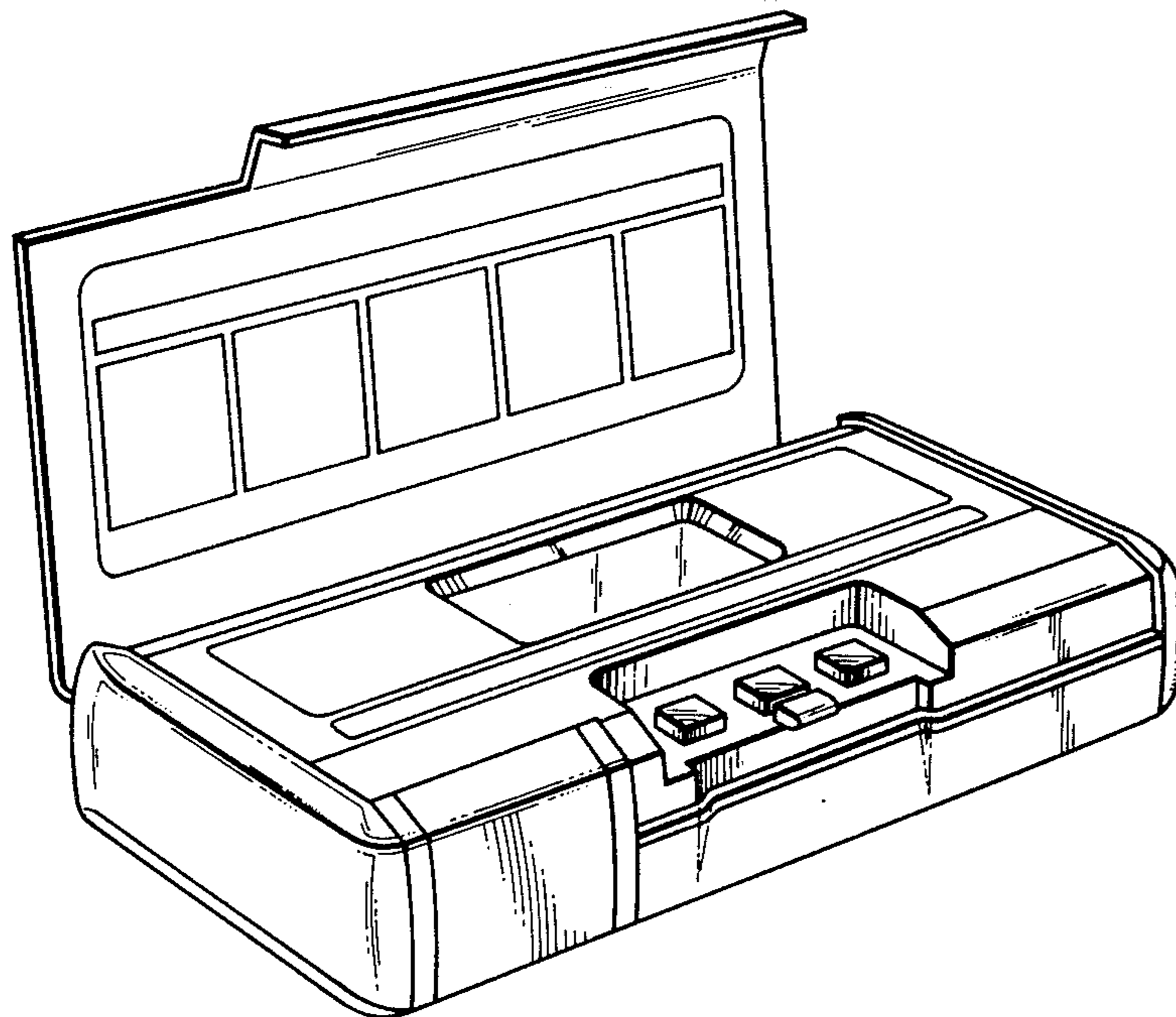
*Primary Examiner*-Nelson C. Holtje  
*Attorney, Agent, or Firm*-Roger N. Coe

[57] **CLAIM**

The ornamental design for a reflectance colorimeter, substantially as shown and described.

**DESCRIPTION**

FIG. 1 is a top and left front perspective view of a reflective colorimeter showing my new design with the cover in an open position;  
FIG. 2 is a top and left front perspective view thereof with the cover in the closed position;  
FIG. 3 is a top plan view of FIG. 2;  
FIG. 4 is a front elevational view of FIG. 2;  
FIG. 5 is a rear elevational view of FIG. 2;  
FIG. 6 is a bottom plan view of FIG. 2;  
FIG. 7 is a left side elevational view of FIG. 2;  
FIG. 8 is a right side elevational view of FIG. 2.



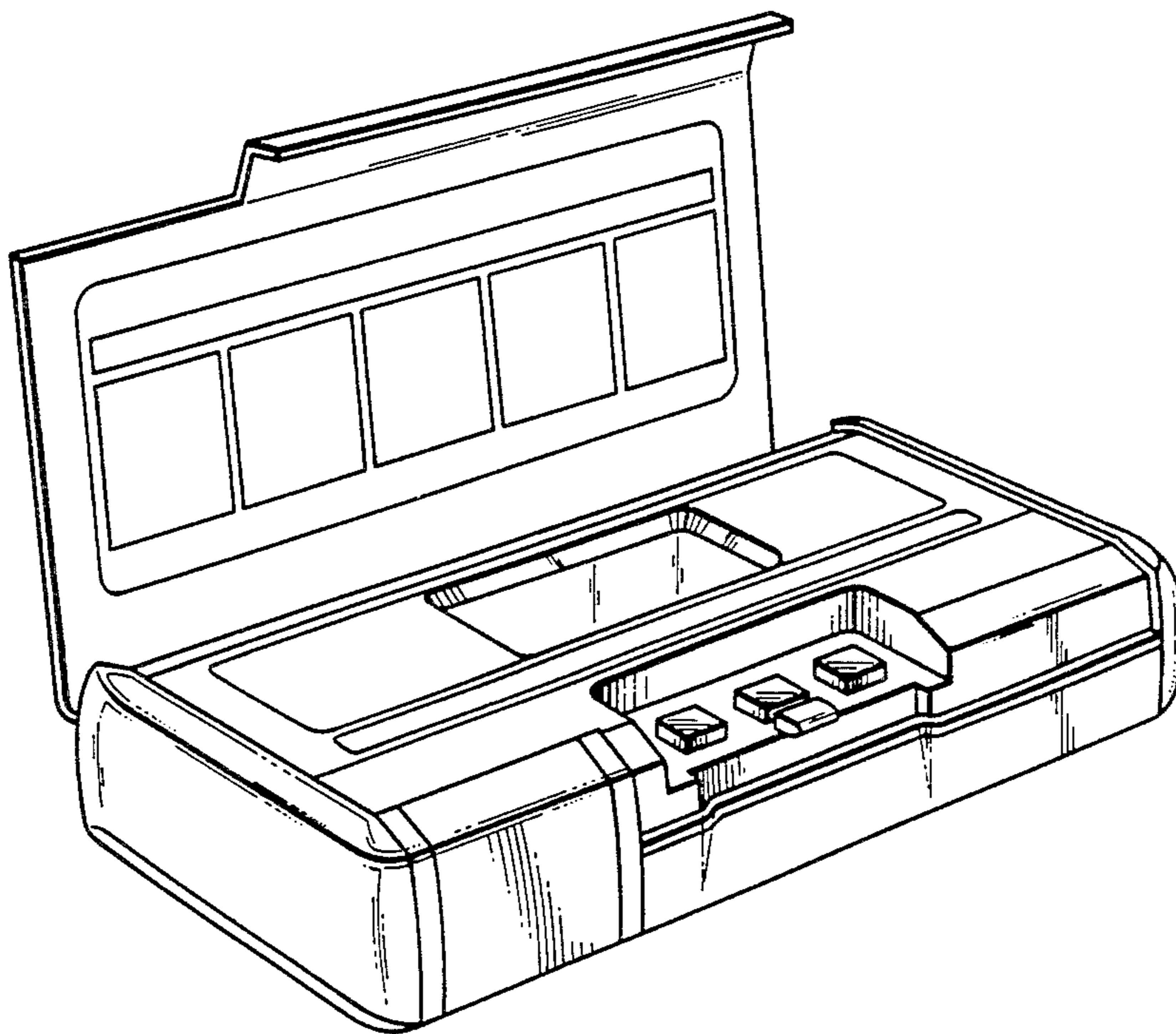


FIG. 1

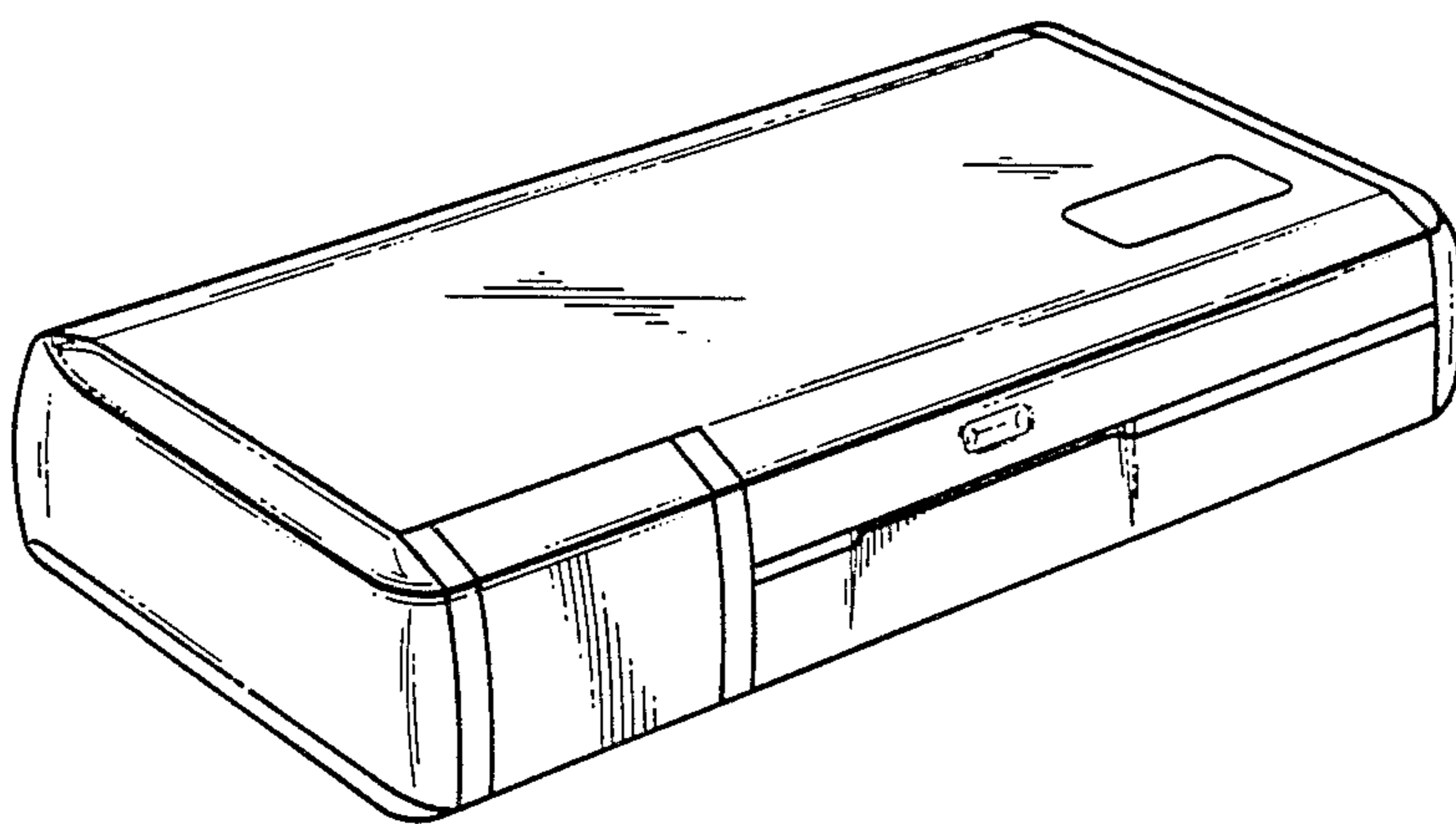


FIG. 2

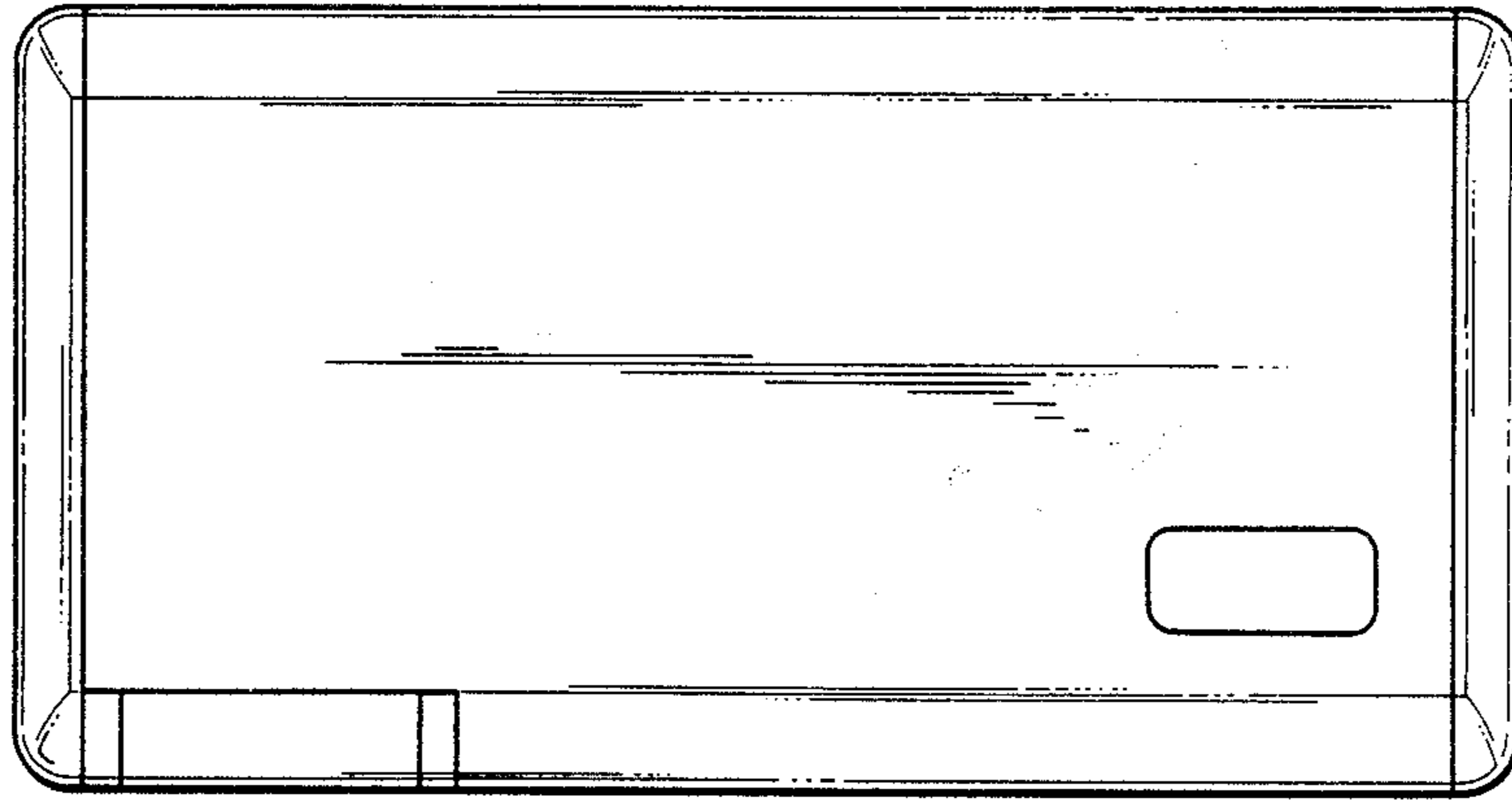


FIG. 3

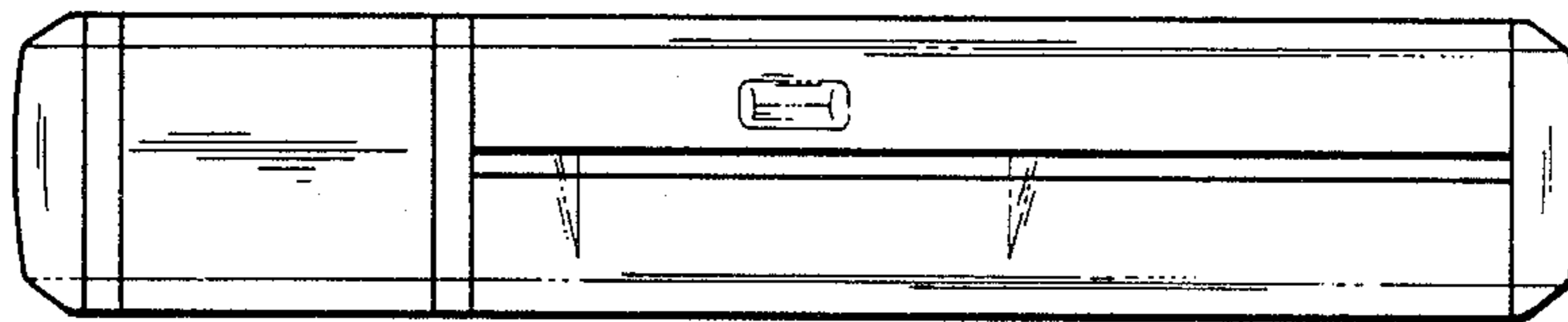


FIG. 4

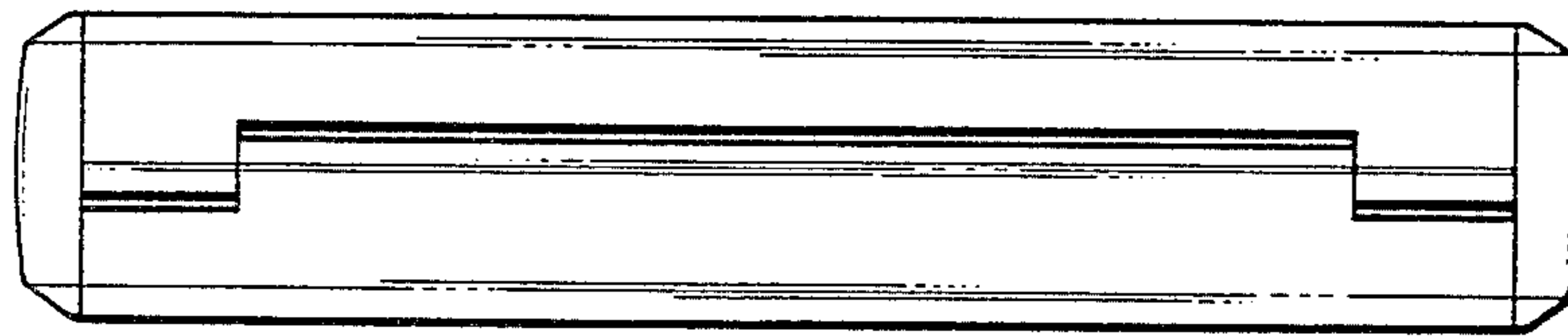


FIG. 5

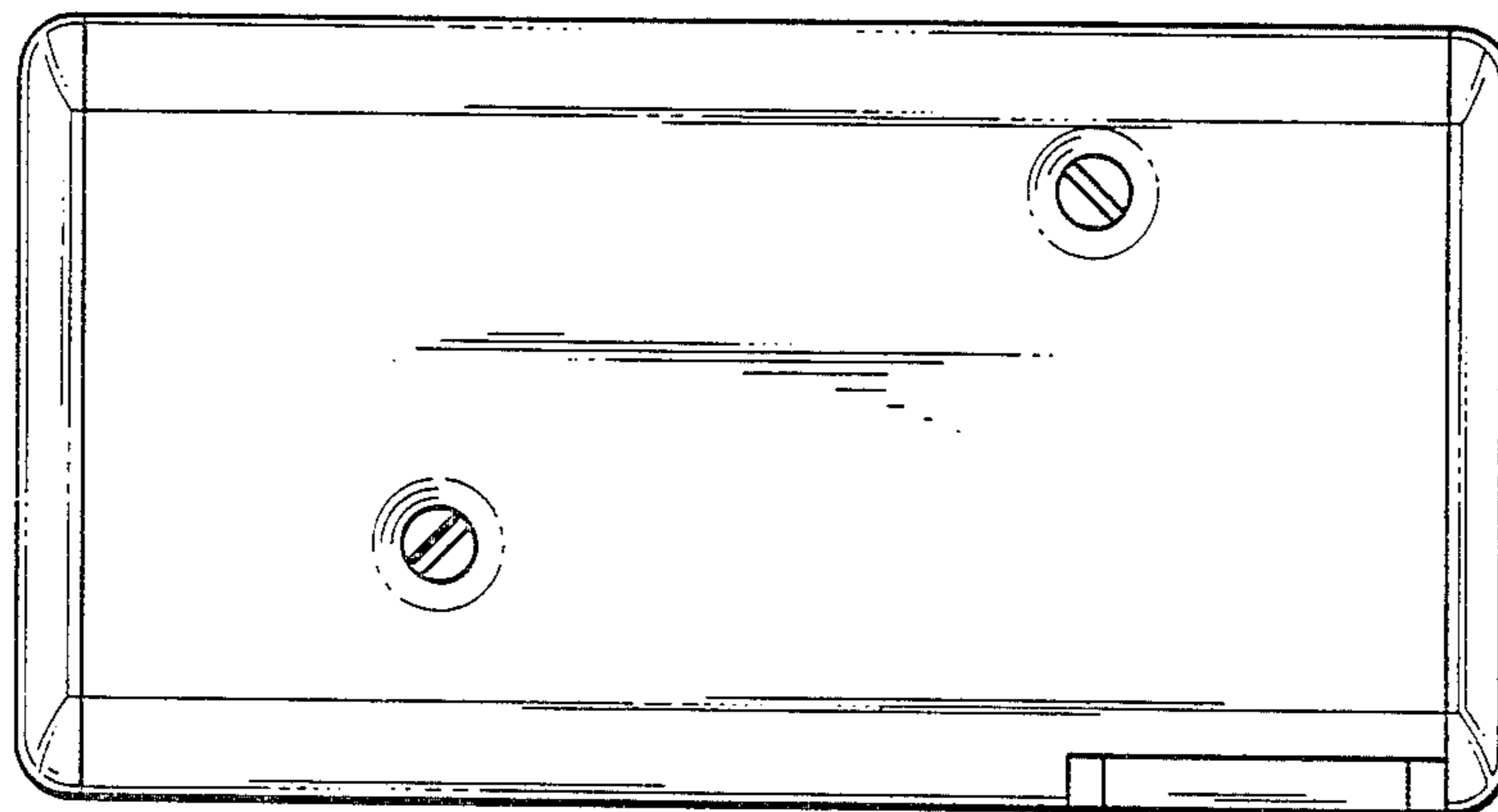
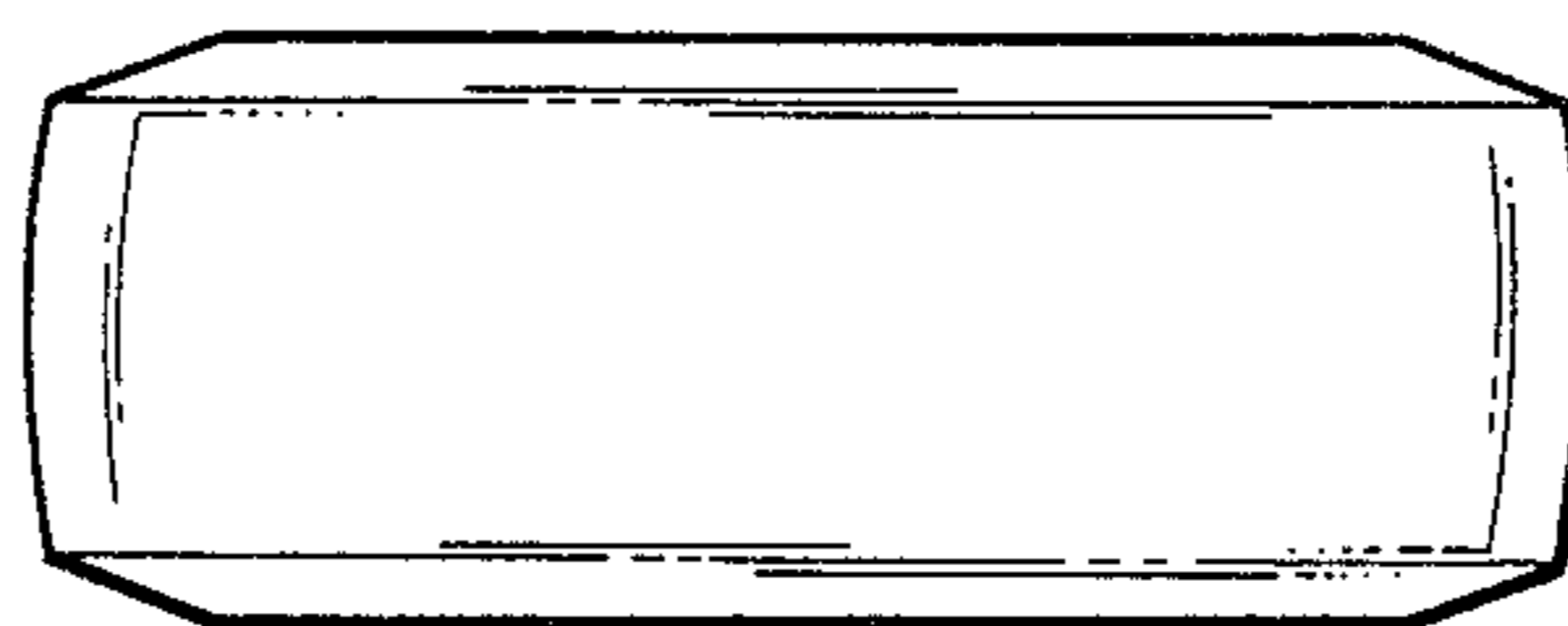
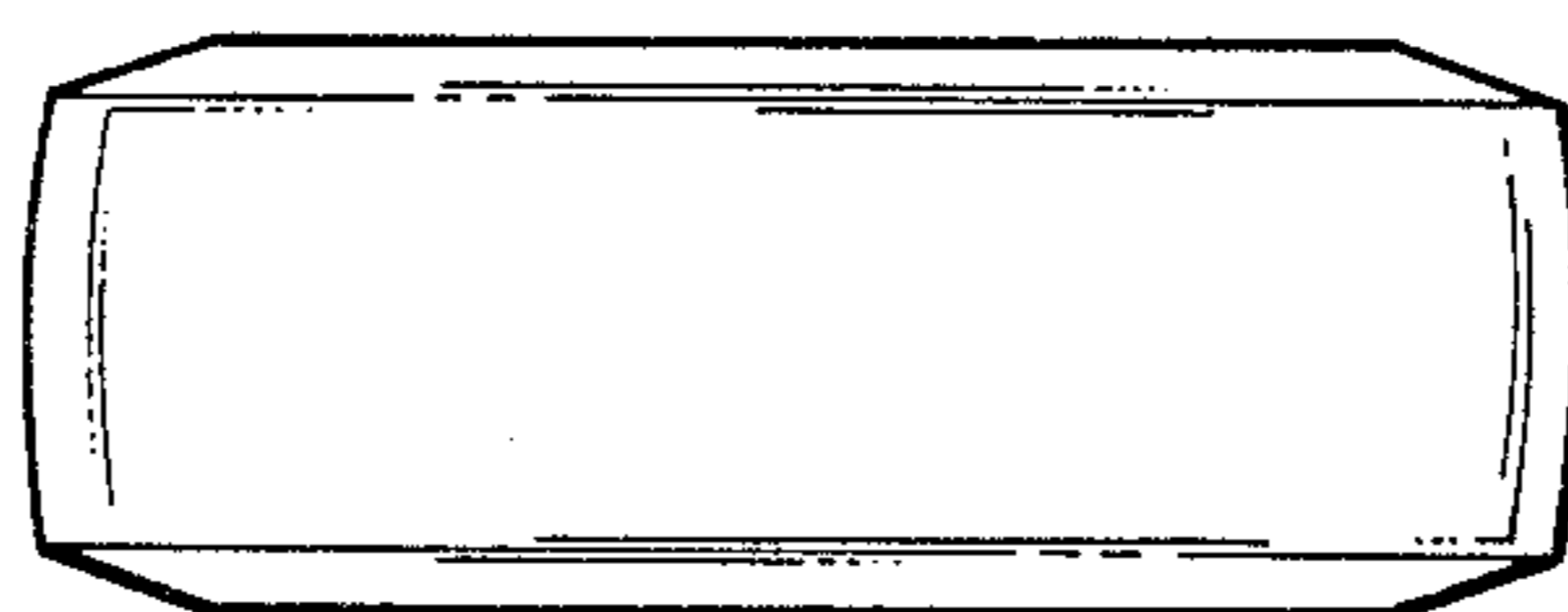


FIG. 6



**FIG. 7**



**FIG. 8**