

[54] COMBINED THERMOMETER AND CLOCK

[76] Inventor: Hsieh Shu-Ken, No. 25, Lane 74, Section 3, Peh-Deh Rd., Taipei, Taiwan

[**] Term: 14 Years

[21] Appl. No.: 541,931

[22] Filed: Oct. 14, 1983

[30] Foreign Application Priority Data

Sep. 6, 1983 [CA] Canada 06-09-83-2

[52] U.S. Cl. D10/4; D10/52

[58] Field of Search D10/1, 2, 4, 15, 30, D10/40, 75, 77, 57, 60; 368/10-11, 107-123; 374/100-103, 108, 141-142, 208

[56] References Cited

U.S. PATENT DOCUMENTS

- D. 50,901 6/1917 Binns D10/4
- D. 212,493 10/1968 Newman D10/40
- D. 218,120 7/1970 Sato D10/57
- D. 222,504 10/1971 Sato D10/57

- D. 227,500 6/1973 Sato D10/57
- D. 227,802 7/1973 Helgesson D10/57
- D. 246,105 10/1977 Coons D10/15 X
- D. 254,601 4/1980 Talesfore D10/15
- D. 260,737 9/1981 Manno D10/57
- D. 270,713 9/1983 Thaler D10/15
- 2,758,475 8/1956 Cotton 374/102
- 3,417,616 12/1968 Smith 374/108

FOREIGN PATENT DOCUMENTS

- 930706 2/1948 France 368/11

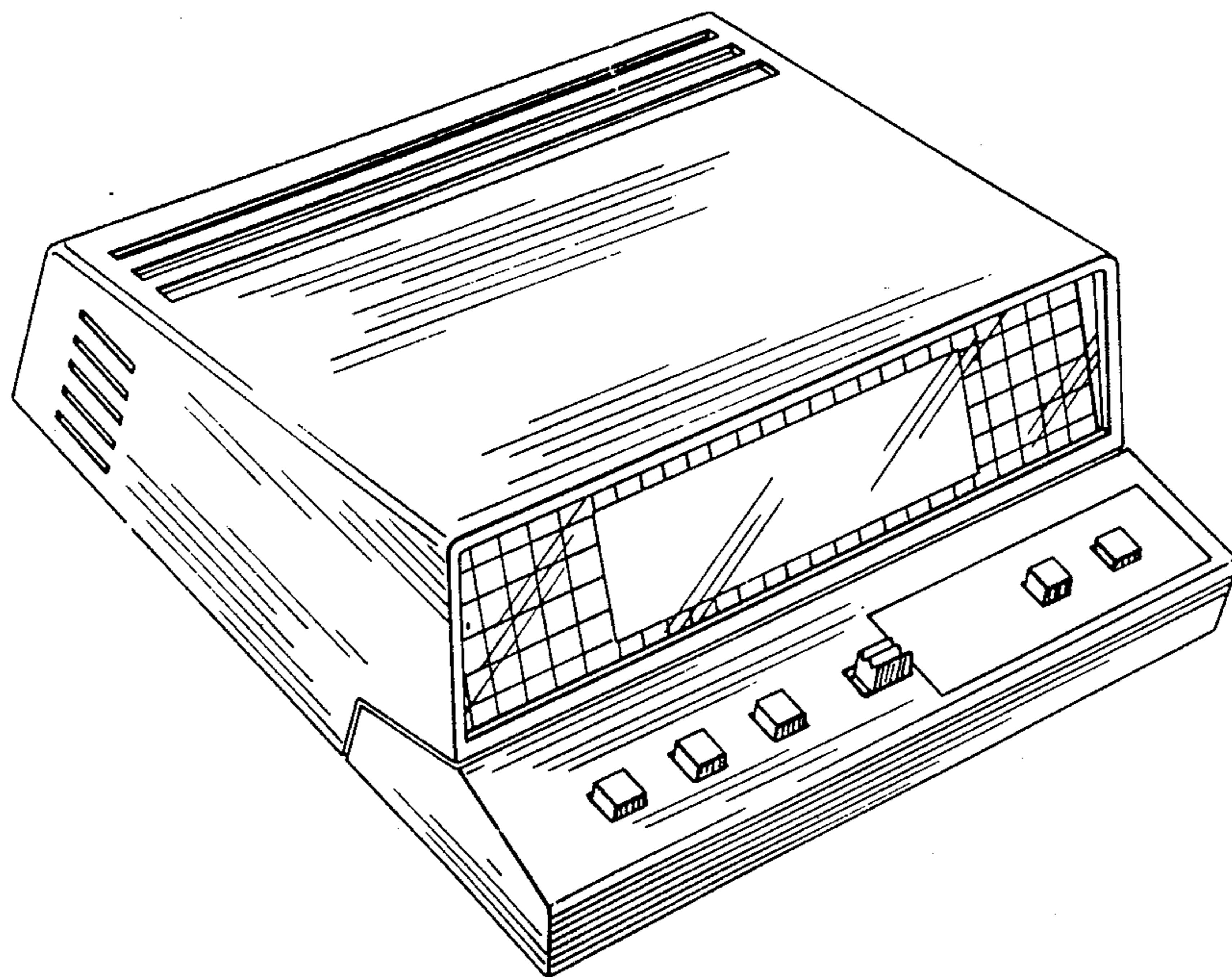
Primary Examiner—Nelson C. Holtje
Attorney, Agent, or Firm—Hammond Moss

[57] CLAIM

The ornamental design for a combined thermometer and clock, as shown.

DESCRIPTION

FIG. 1 is a front and top-left perspective view of a combined thermometer and clock showing my new design;
FIG. 2 is a rear and bottom-right perspective view thereof.



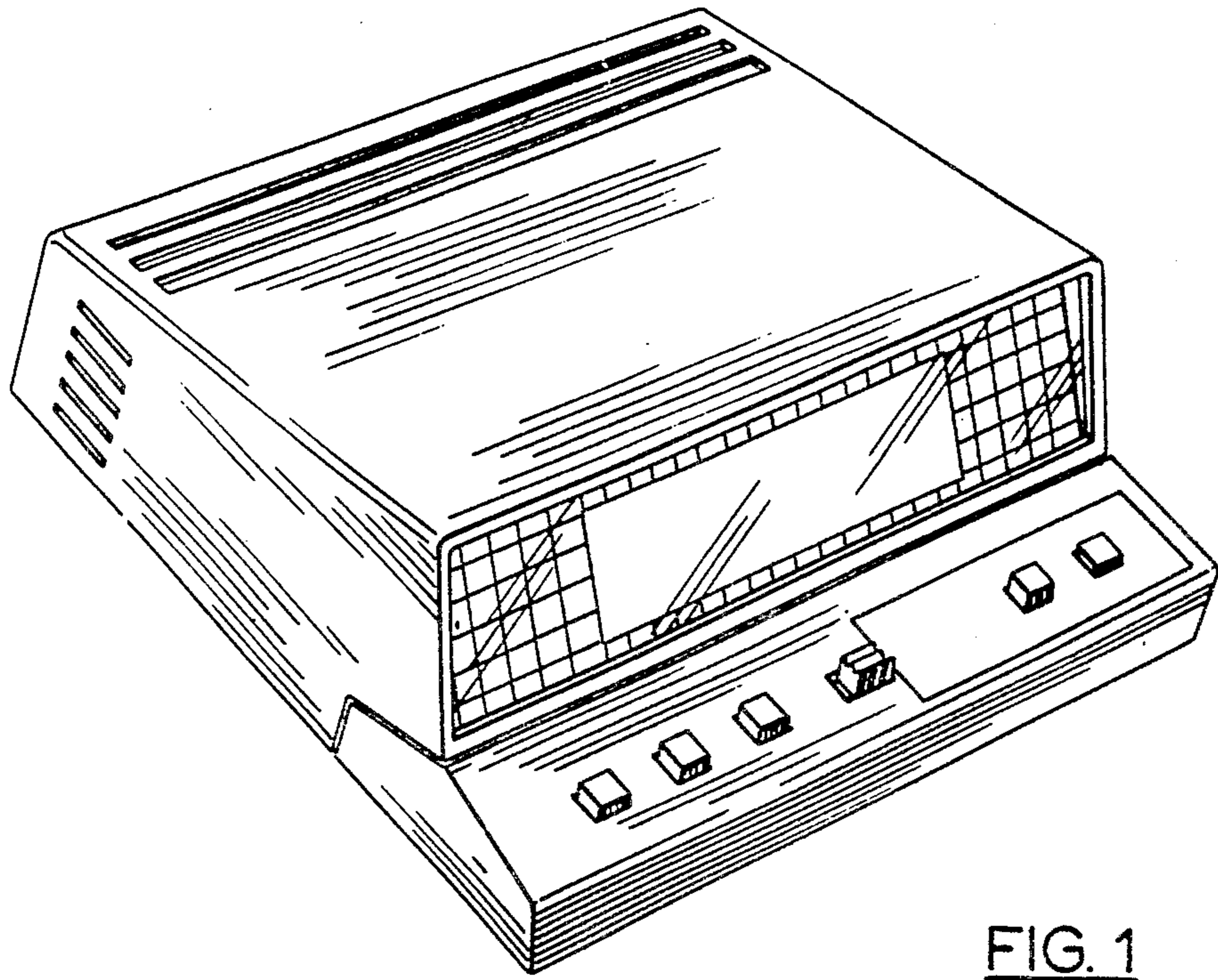


FIG. 1

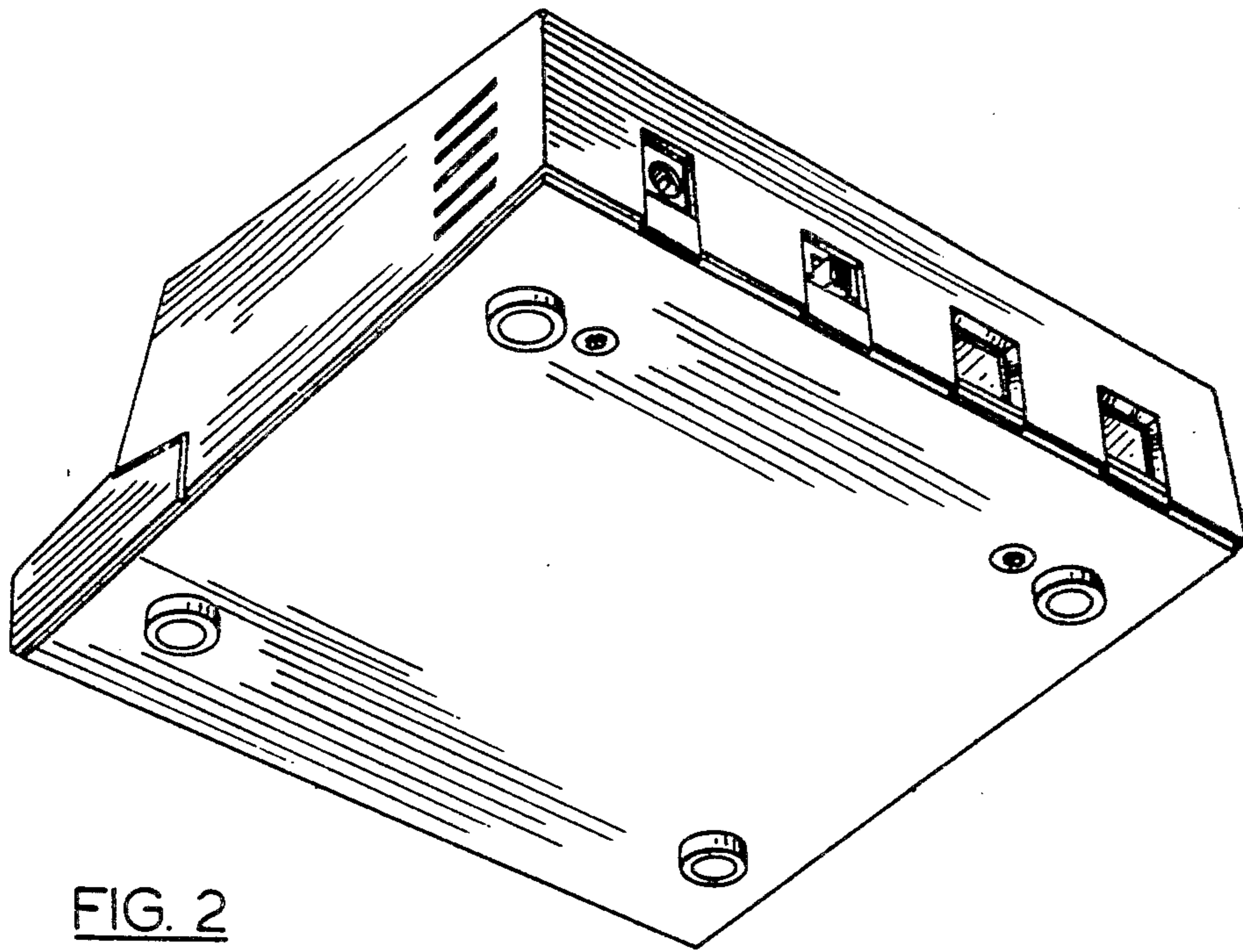


FIG. 2