

[54] ADJUSTABLE PLATFORM GUIDE FOR CIRCULAR SAWS

[76] Inventor: Joseph M. Zelli, 2215 Woodland Spring, Houston, Tex. 77077

[**] Term: 14 Years

[21] Appl. No.: 520,473

[22] Filed: Aug. 4, 1983

[52] U.S. Cl. D8/71

[58] Field of Search D8/61, 70, 71; 83/821, 83/745, 574, 474

[56] References Cited

U.S. PATENT DOCUMENTS

D. 268,476	4/1983	Owen	D8/71
D. 275,646	9/1984	Powell	D8/71
3,830,130	8/1974	Moore	83/745
3,991,643	11/1976	Girardin	83/574

OTHER PUBLICATIONS

Black and Decker, 1978, p. 29, Saw Guide 79-012 second from the top of the page on the right side.

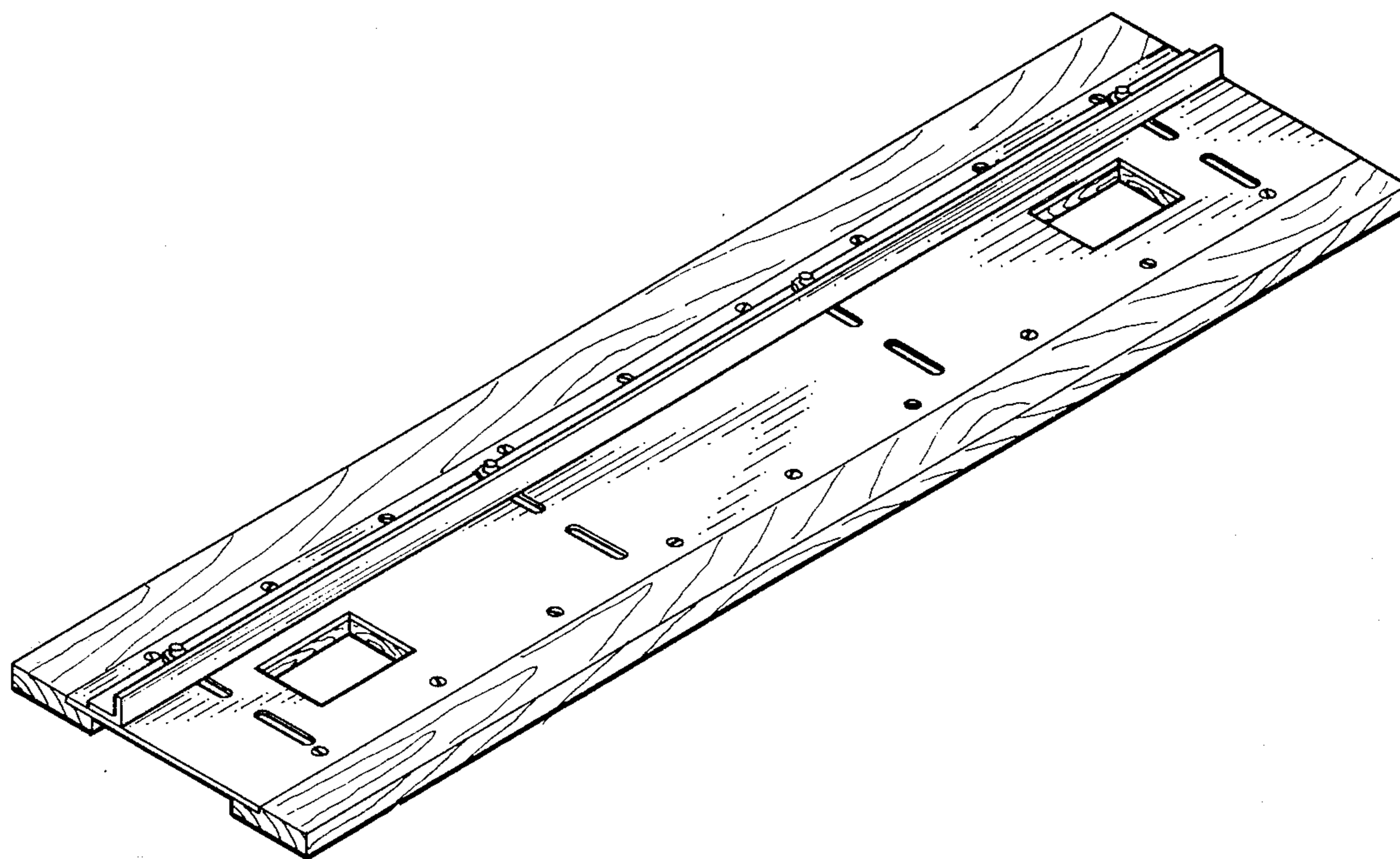
Primary Examiner—Wallace R. Burke
Assistant Examiner—Suzanne N. Gitlin
Attorney, Agent, or Firm—Michael P. Breston

[57] CLAIM

The ornamental design for an adjustable platform guide for circular saws, substantially as shown.

DESCRIPTION

FIG. 1 is an isometric view of an adjustable platform guide for circular saws showing my new design;
FIG. 2 is a top plan view thereof;
FIG. 3 is a bottom plan view thereof;
FIG. 4 is a side elevational view taken from the right of FIG. 1;
FIG. 5 is a side elevational view taken from the left of FIG. 1;
FIG. 6 is an end elevational view thereof;
FIG. 7 is an end elevational view opposite that seen in FIG. 6.



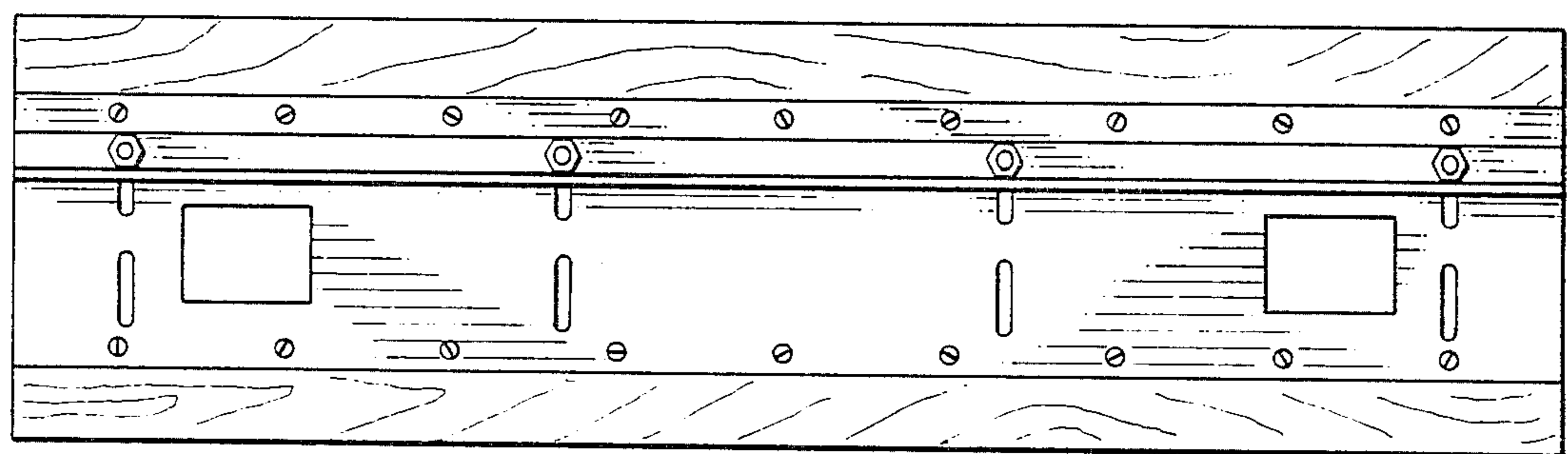
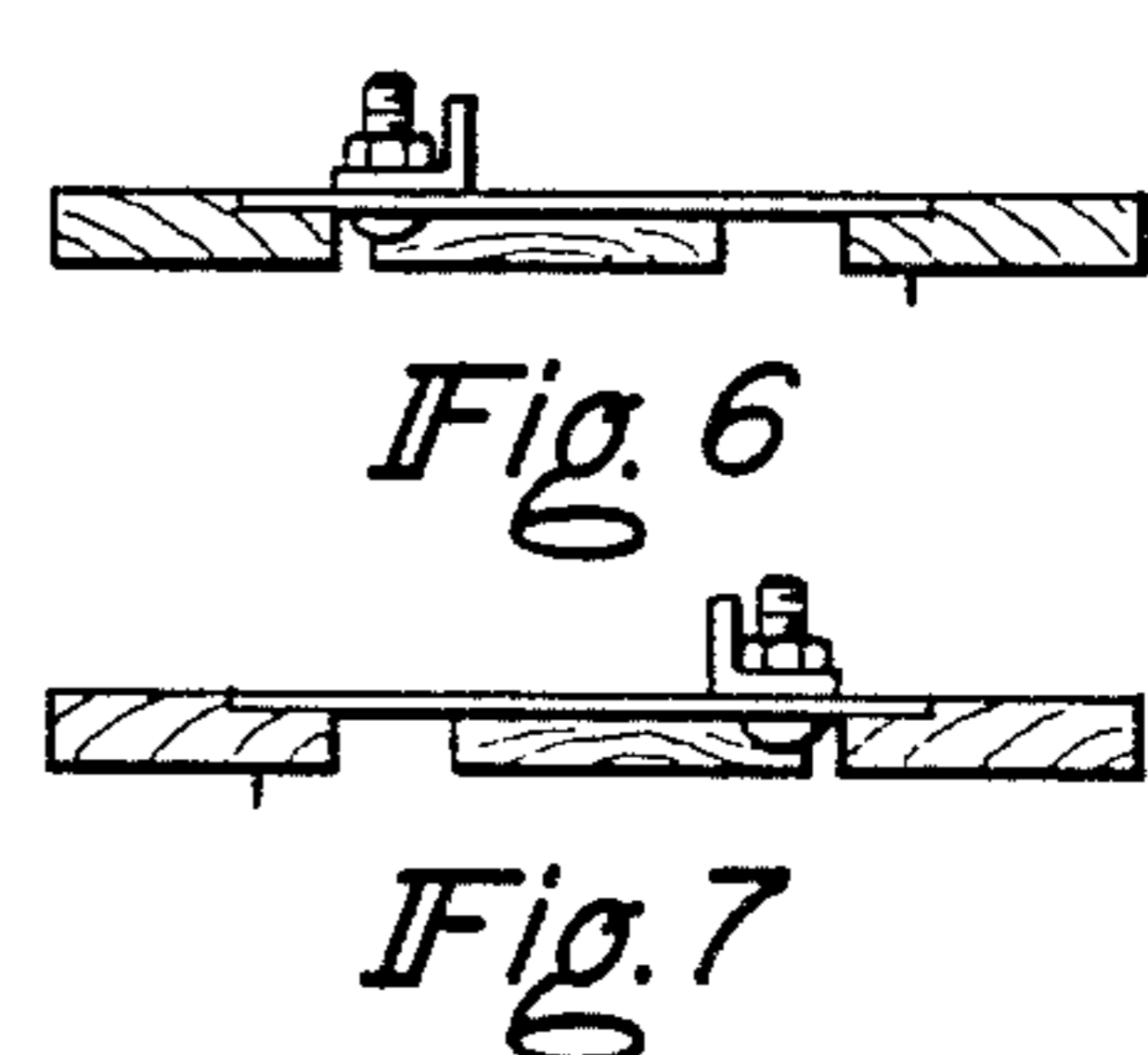
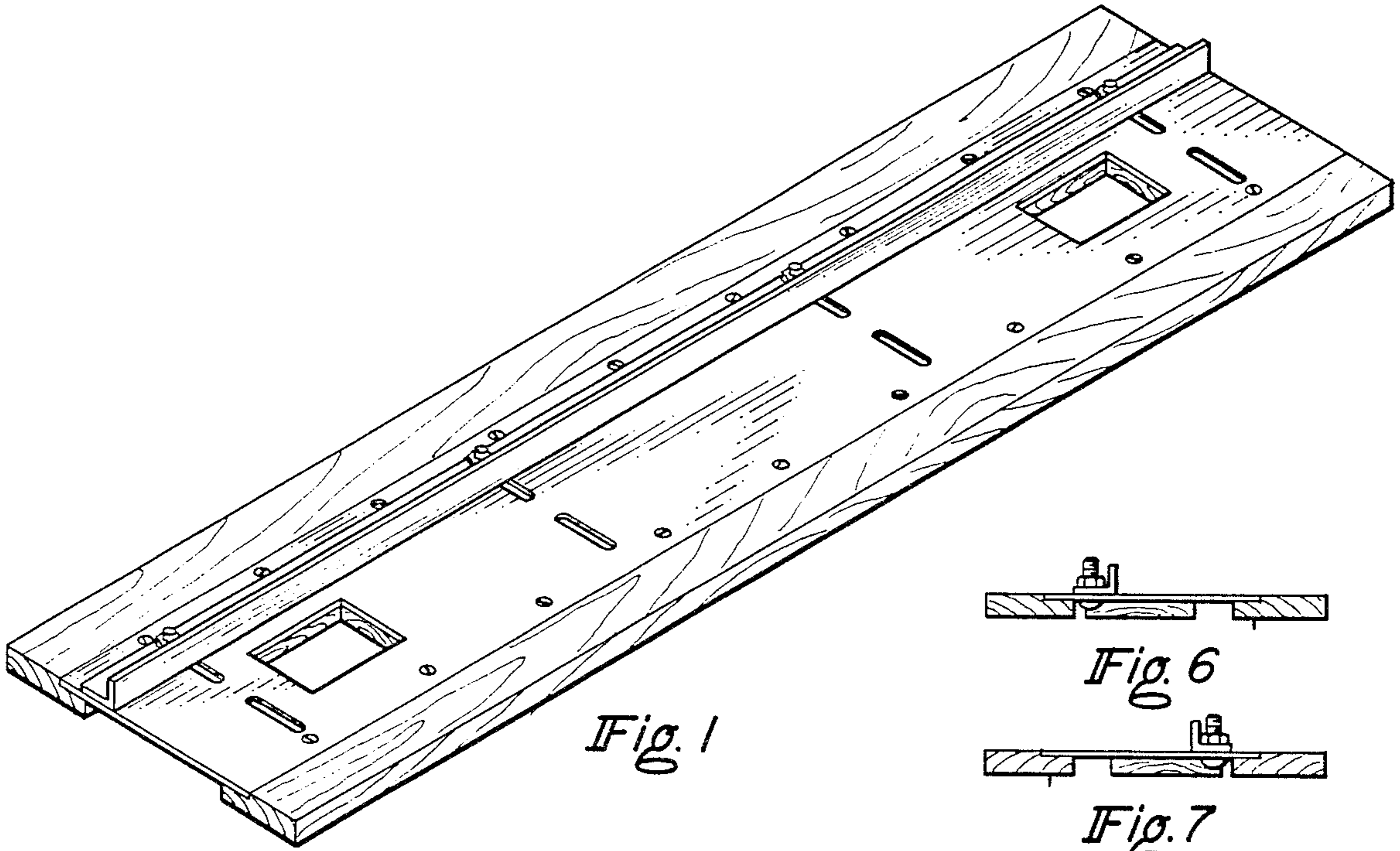


Fig. 2

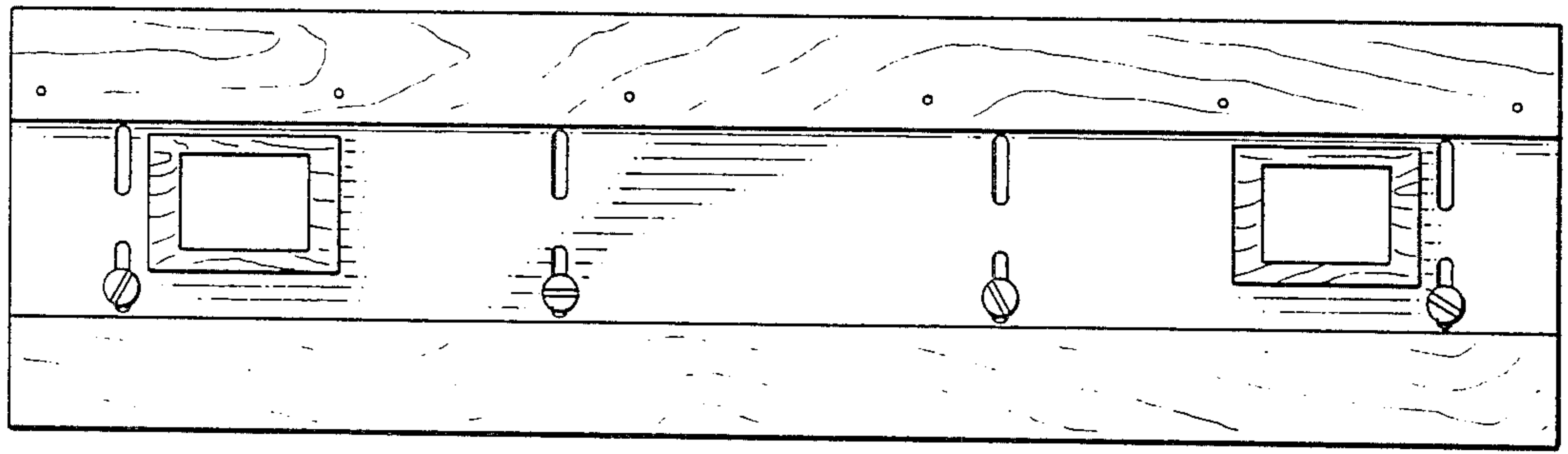


Fig. 3



Fig. 4

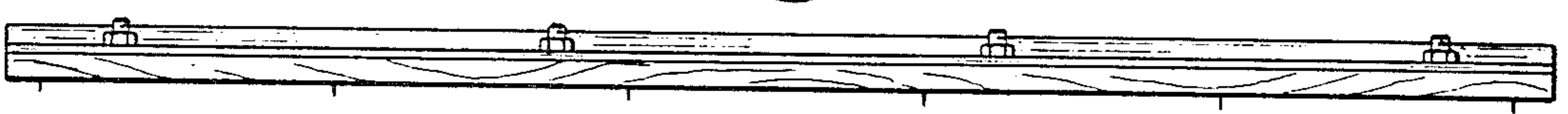


Fig. 5