

[54] JIG SAW

[75] Inventors: William H. Schultz, Northbrook; Kenneth N. Svetlik, Schaumburg, both of Ill.

[73] Assignee: Skil Corporation, Chicago, Ill.

[**] Term: 14 Years

[21] Appl. No.: 473,701

[22] Filed: Mar. 10, 1983

[52] U.S. Cl. D8/64

[58] Field of Search D8/61, 64, 65; 30/376, 30/392, 395

[56] References Cited

U.S. PATENT DOCUMENTS

D. 277,451	2/1985	Barnik	D8/64
3,339,598	9/1967	Frostad	30/376
3,504,716	4/1970	Bush et al.	30/392
3,863,342	2/1975	Griffies et al.	D8/64

FOREIGN PATENT DOCUMENTS

2311446 9/1973 Fed. Rep. of Germany 30/392

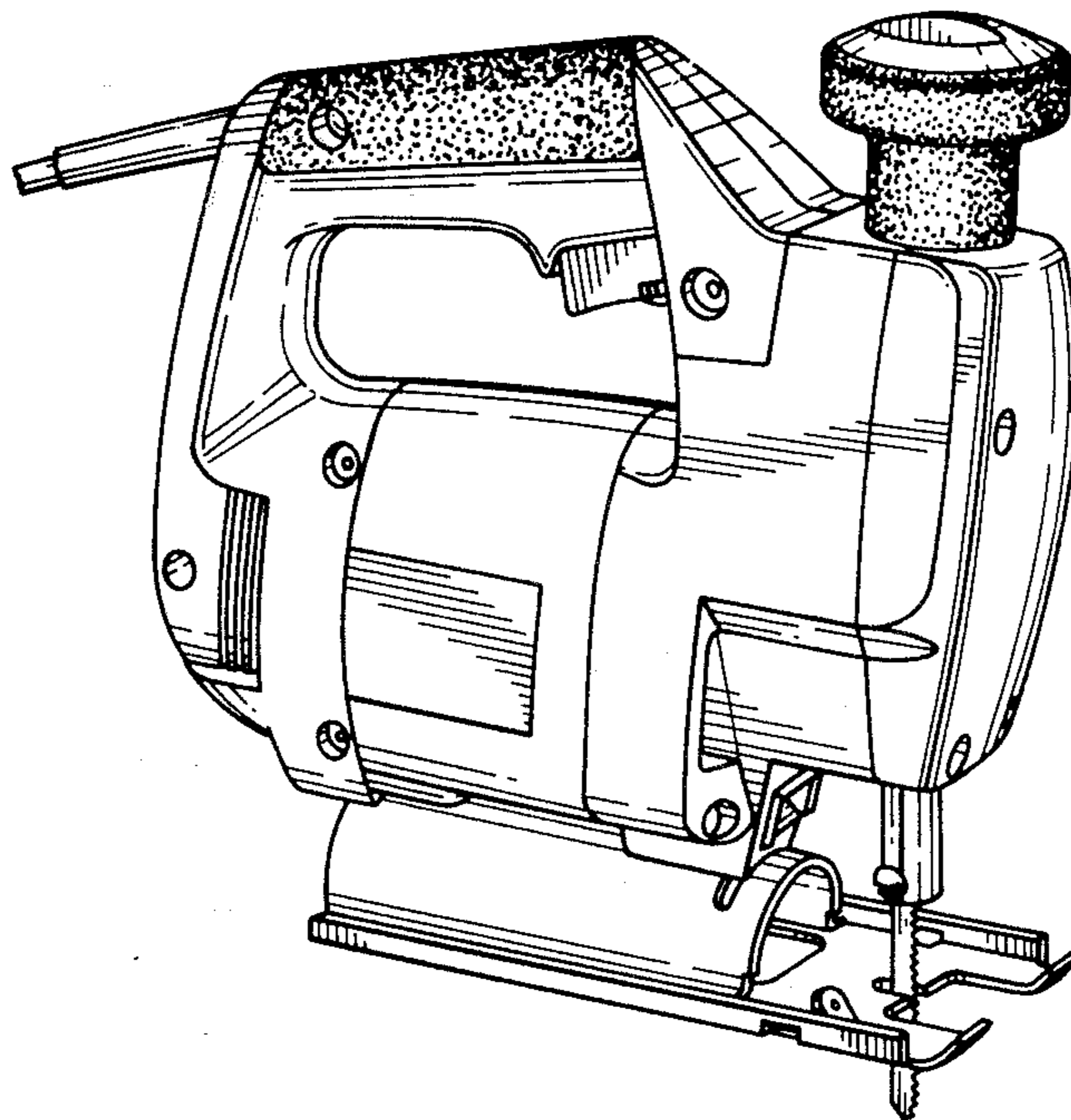
Primary Examiner—Wallace R. Burke
Assistant Examiner—Suzanne N. Gitlin
Attorney, Agent, or Firm—McDougall, Hersh & Scott

[57] CLAIM

The ornamental design for a jig saw, as shown and described.

DESCRIPTION

FIG. 1 is a reduced perspective view of a jig saw showing our new design;
FIG. 2 is a left side elevational view thereof;
FIG. 3 is a top plan view thereof;
FIG. 4 is a front elevational view thereof;
FIG. 5 is a rear elevational view thereof;
FIG. 6 is a right side elevational view thereof;
FIG. 7 is a bottom plan view thereof.
The electrical cord is shown broken away in FIGS. 1, 2, 3, 5, 6 and 7 for ease of illustration.



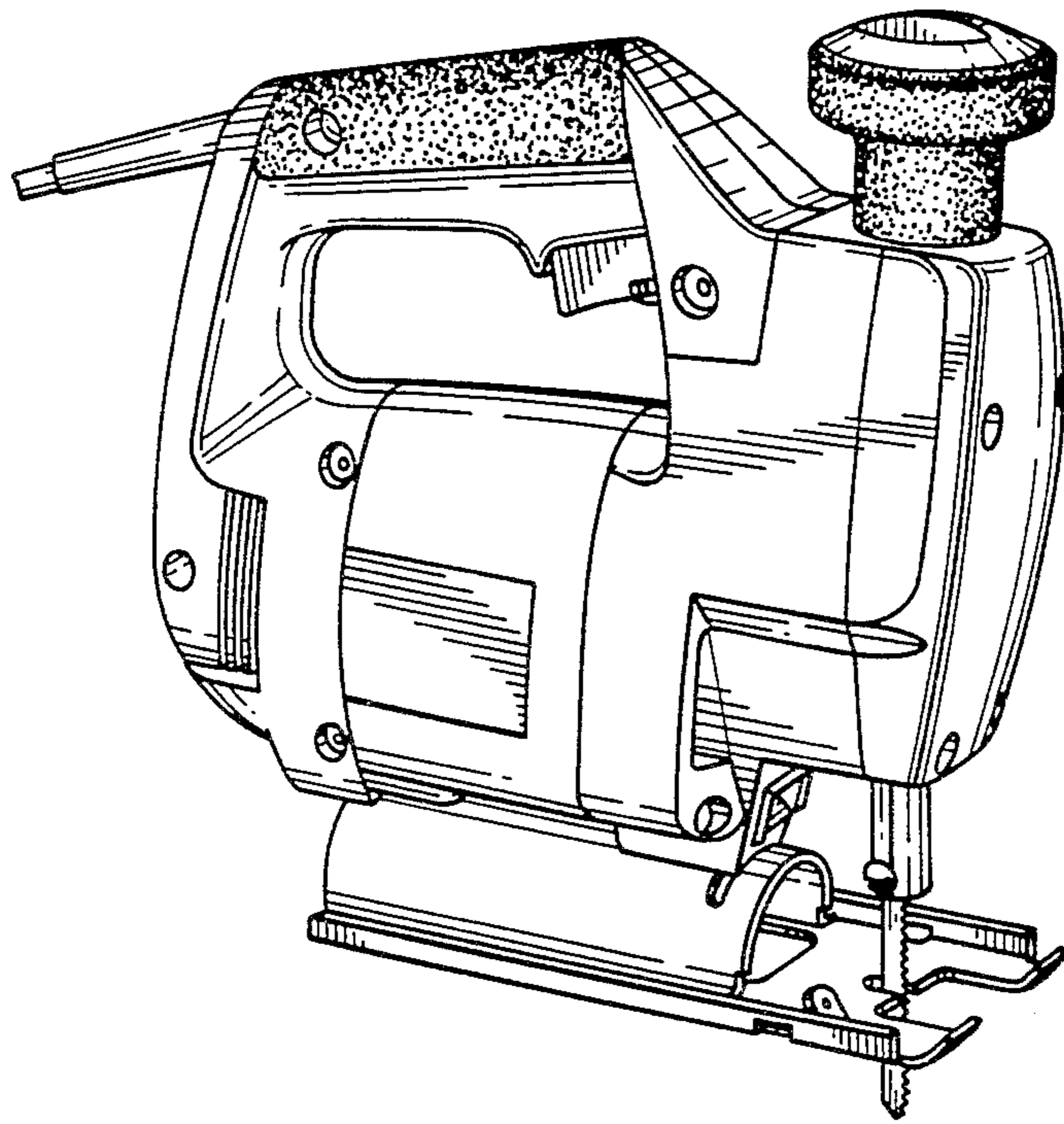


FIG. 1

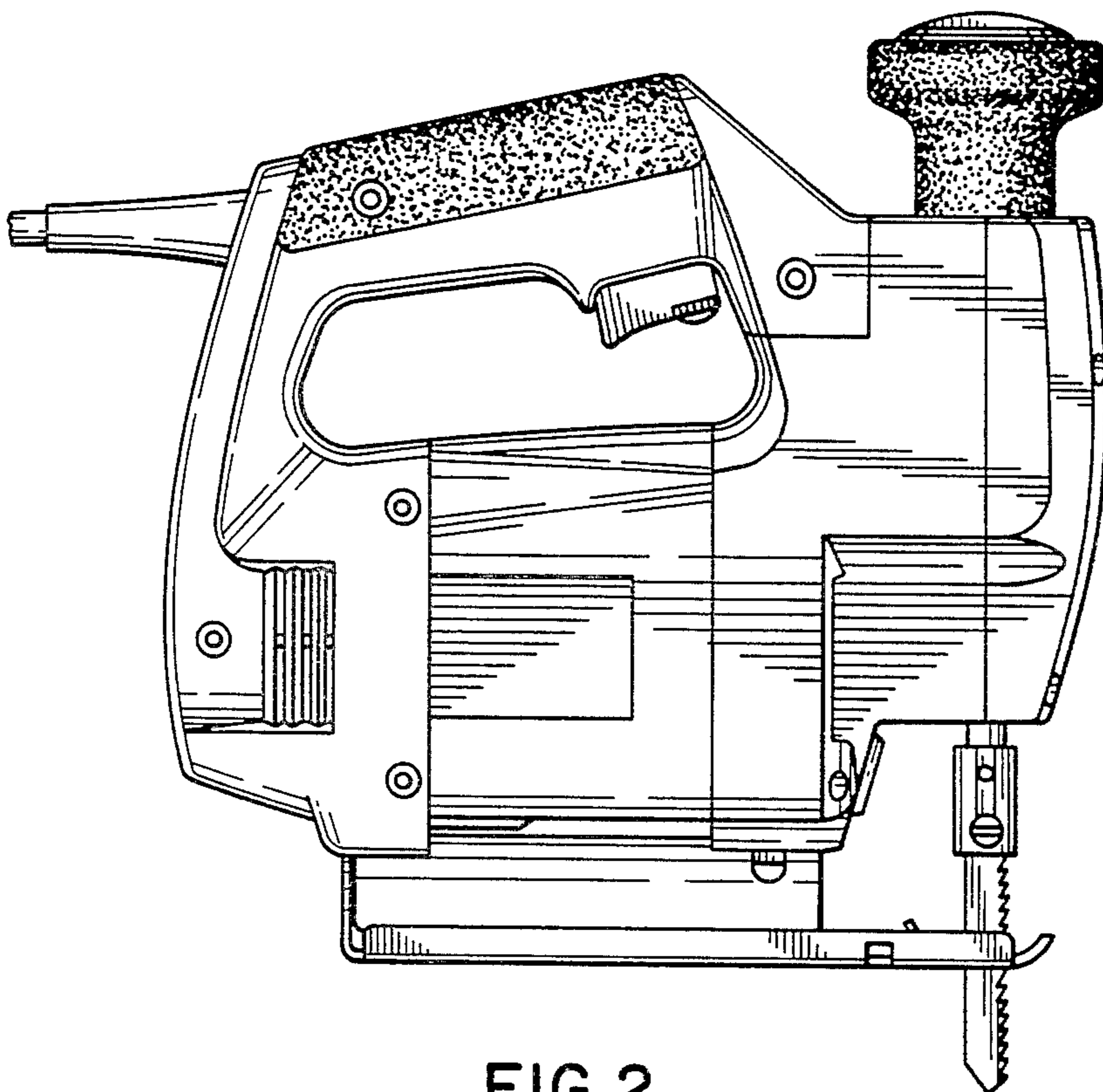


FIG. 2

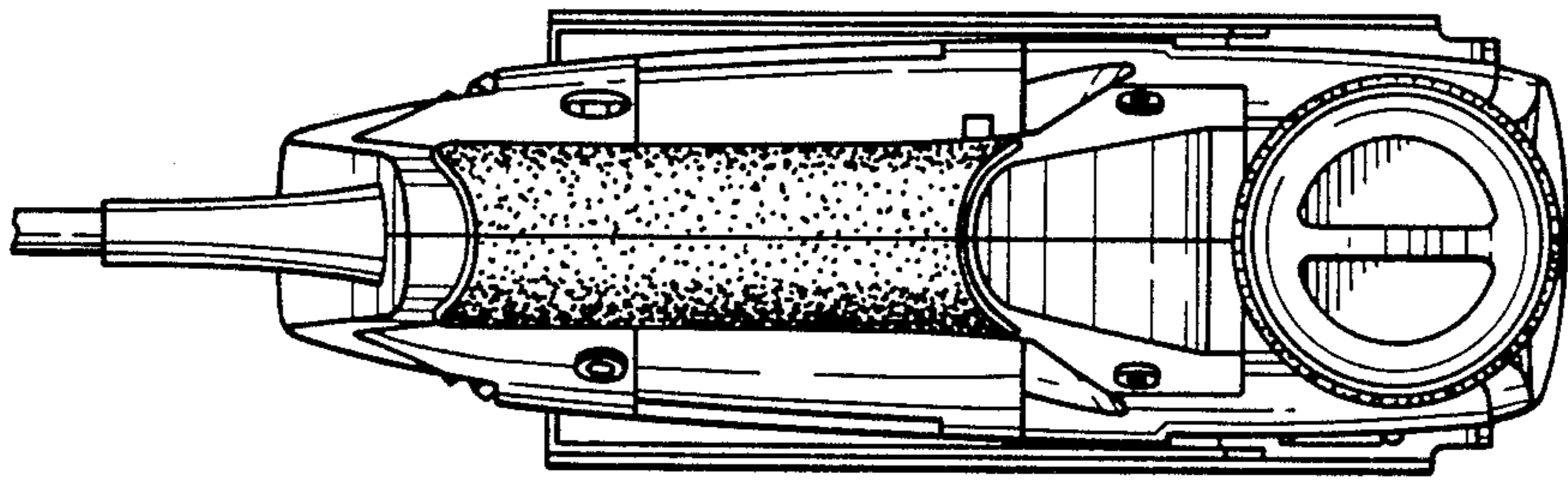


FIG. 3

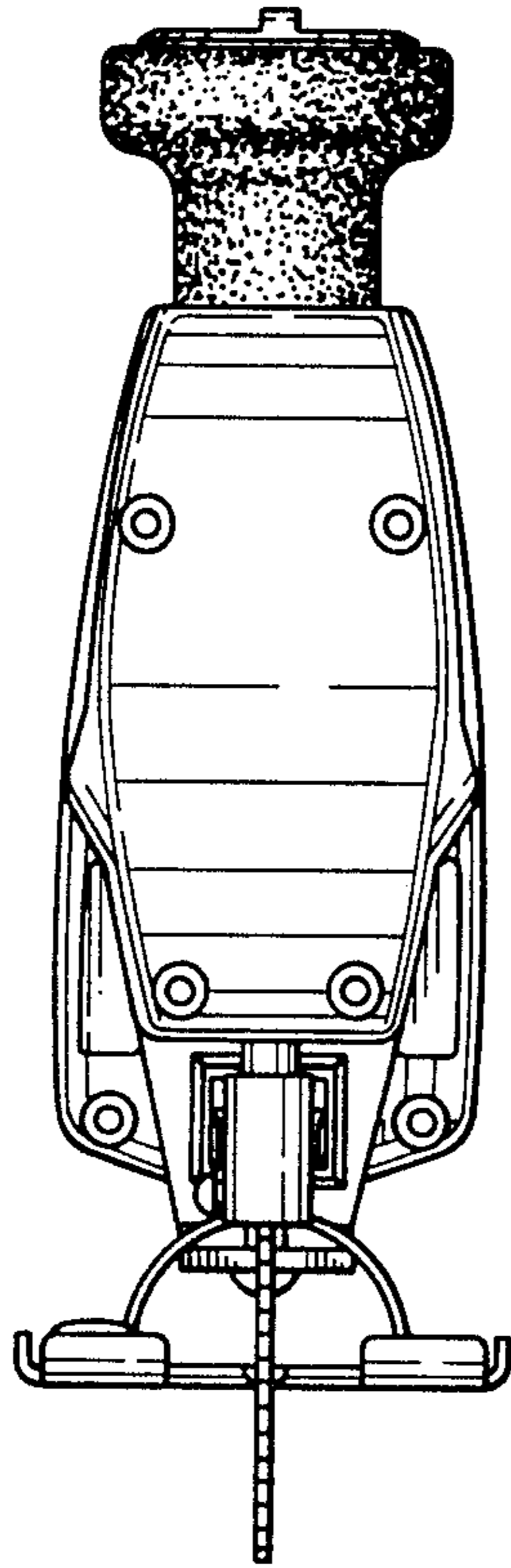


FIG. 4

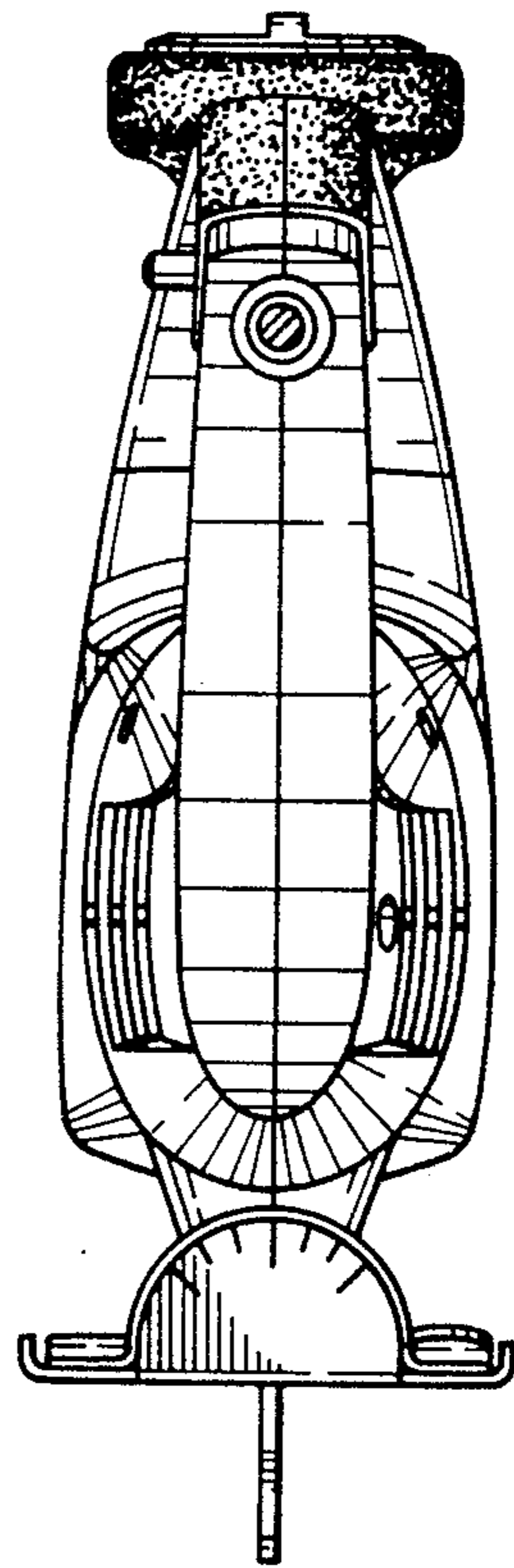


FIG. 5

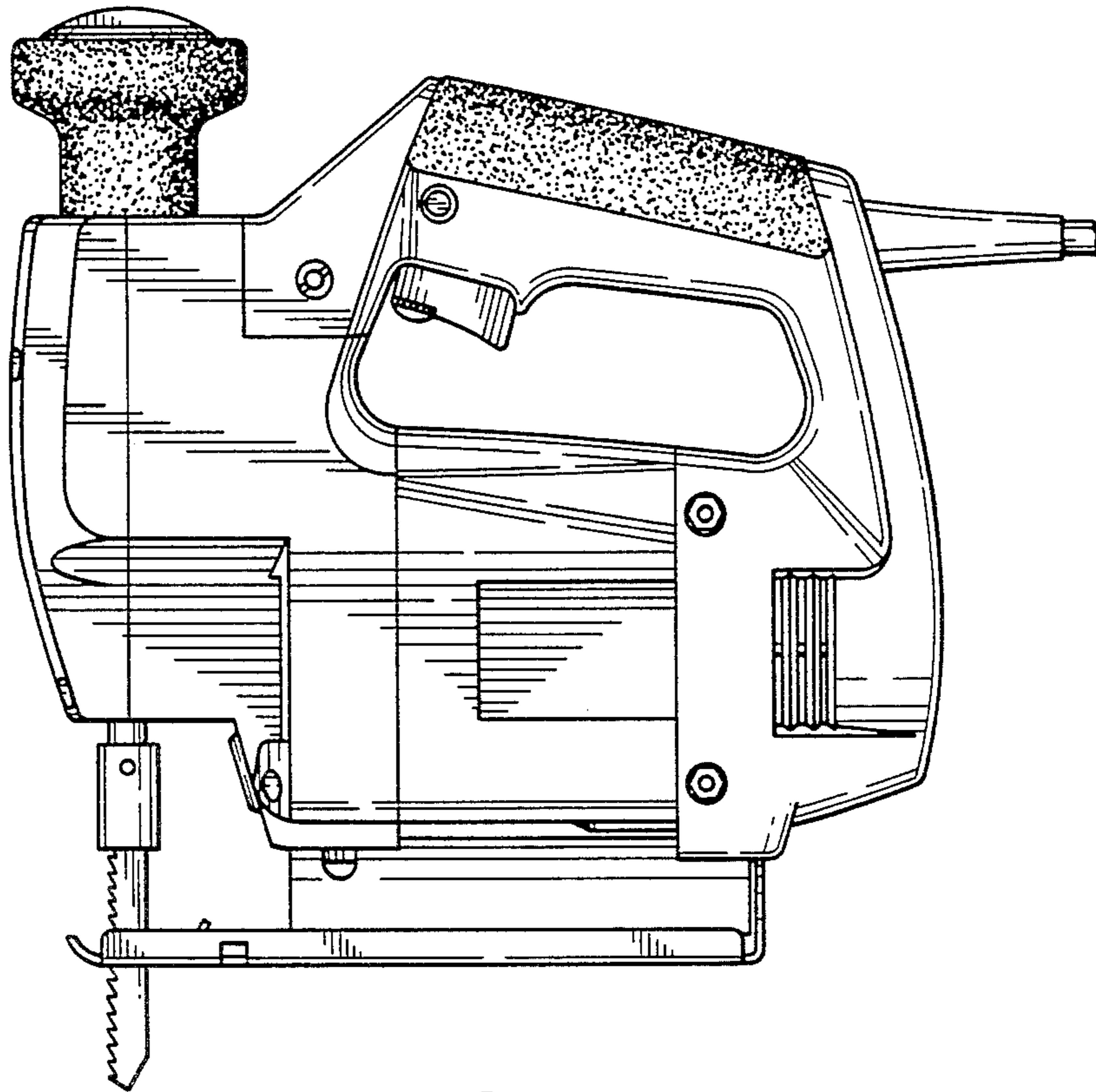


FIG. 6

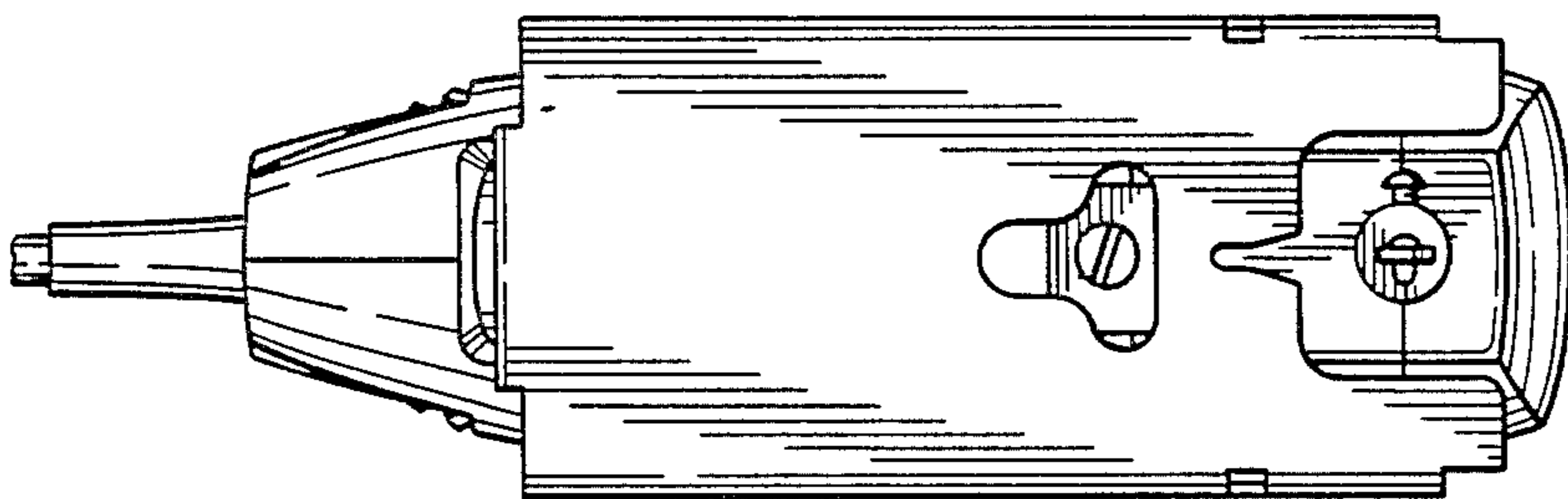


FIG. 7