

[54] WALLPAPER HANGER

[76] Inventor: Jimmy R. Bobo, Ninth St., NE., Arab, Ala. 35016

[**] Term: 14 Years

[21] Appl. No.: 495,125

[22] Filed: May 16, 1983

[52] U.S. Cl. D8/14; D32/41

[58] Field of Search D8/14, 45, 47, 105, D8/106, 107; D32/41, 49; 7/105; 294/19.1; 15/245

[56] References Cited

U.S. PATENT DOCUMENTS

D. 222,703	12/1971	Richardson	D32/41
D. 253,085	10/1979	Mercer	D32/49
1,107,131	8/1914	Bandringa	15/245
4,490,198	12/1984	Mitchell	7/105 X

FOREIGN PATENT DOCUMENTS

520537 6/1956 France 15/245

Primary Examiner—Susan J. Lucas

Assistant Examiner—C. E. Heflin

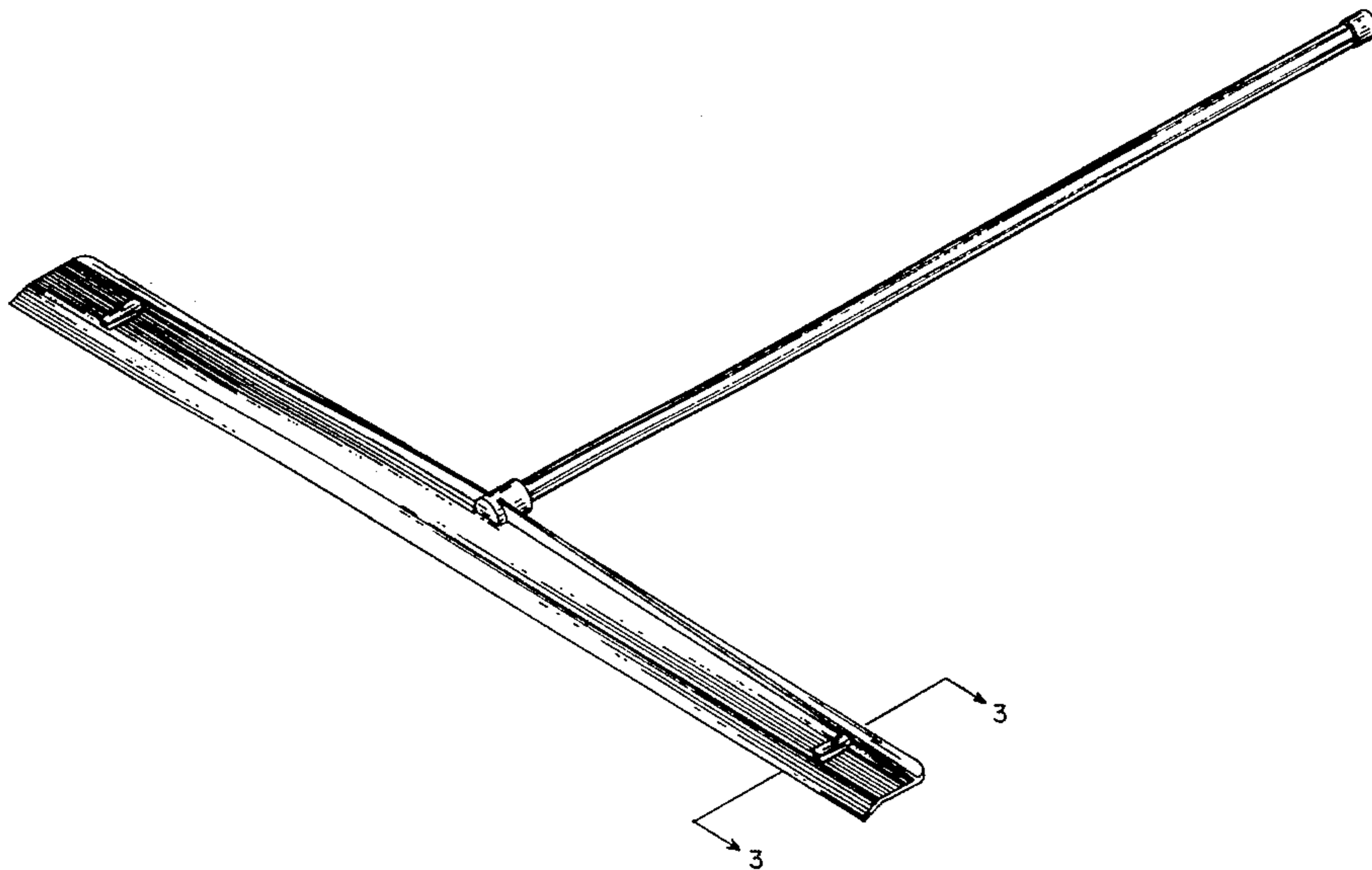
Attorney, Agent, or Firm—C. A. Phillips

[57] CLAIM

The ornamental design for a wallpaper hanger, substantially as shown and described.

DESCRIPTION

FIG. 1 is a perspective view taken from the top side and one end of a wallpaper hanger showing my new design; FIG. 2 is a perspective view taken from the bottom and opposite side thereof; FIG. 3 is a sectional view thereof taken along line 3—3 of FIG. 1 and shown on an enlarged scale with the handle portion omitted for ease of illustration; FIG. 4 is top plan view thereof; FIG. 5 is a bottom plan view thereof; FIG. 6 is an opposite end elevational view thereof shown on a reduced scale.



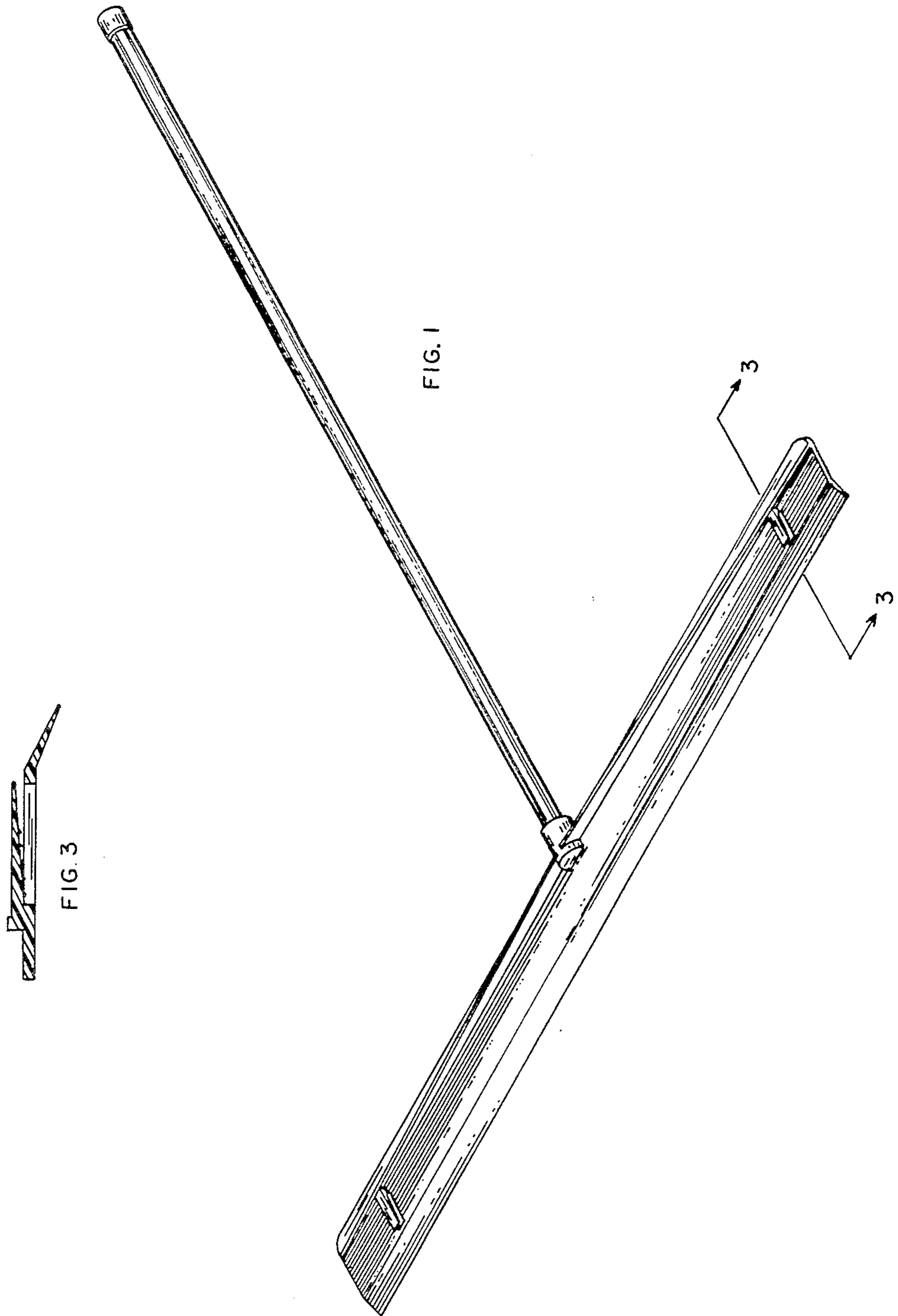


FIG. 1

FIG. 3

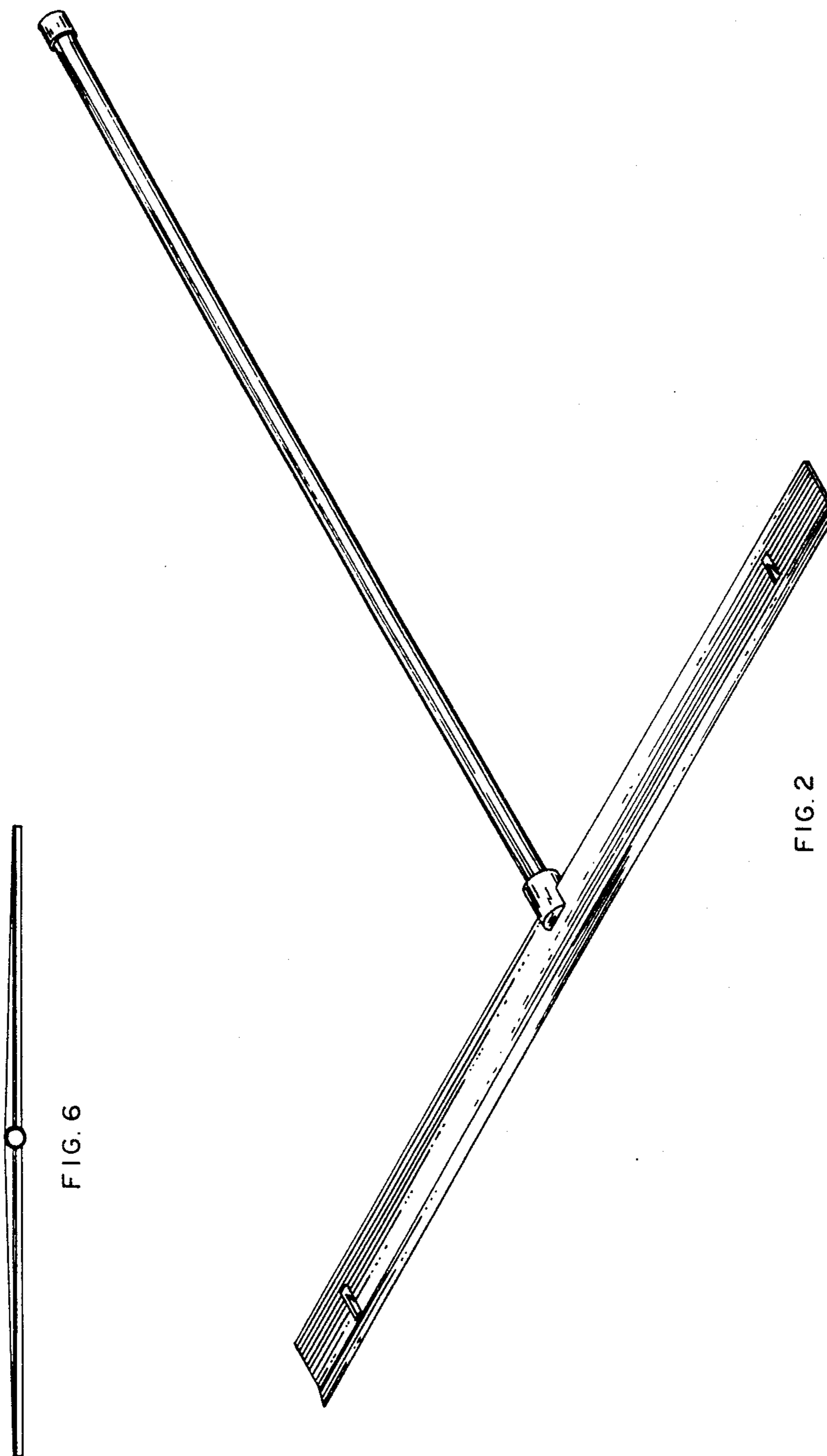


FIG. 6

FIG. 2

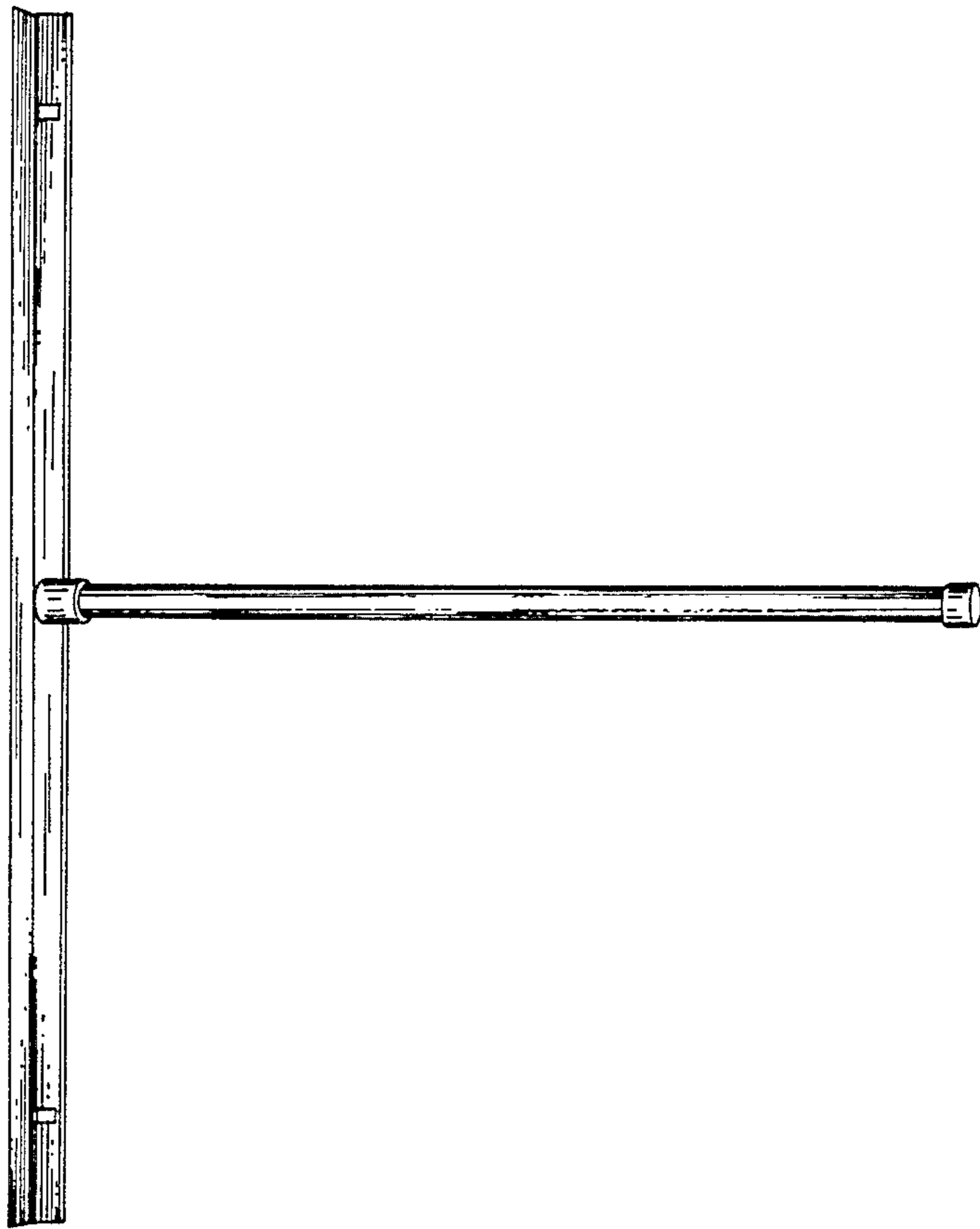


FIG. 5

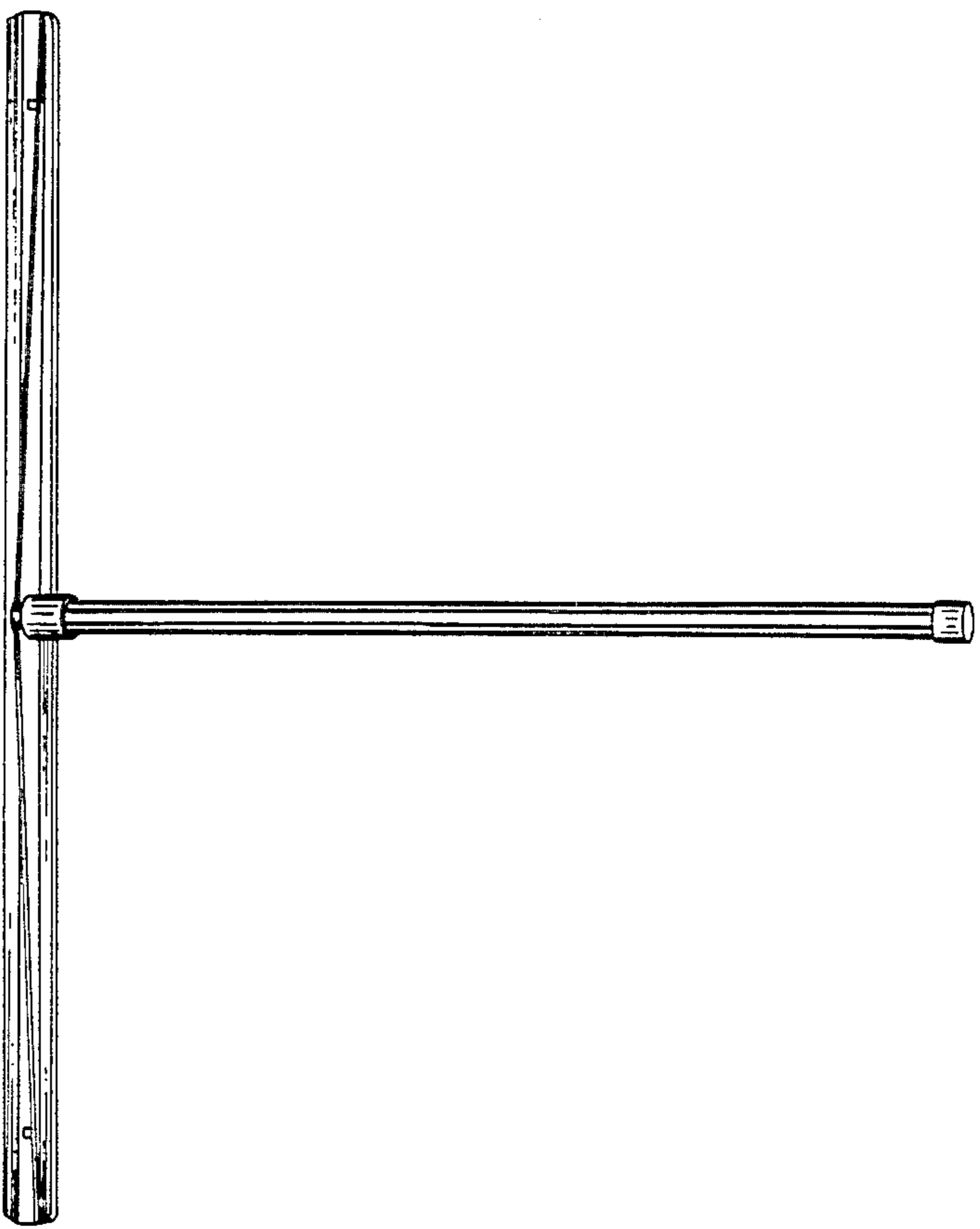


FIG. 4