

[54] **FOOD PROCESSOR**

[76] **Inventor: Alfredo Cavalli, 9, Via G. Galilei,
Pessano Con Bornago, Milan, Italy**

[**] **Term: 14 Years**

[21] **Appl. No.: 461,212**

[22] **Filed: Jan. 26, 1983**

[52] **U.S. Cl. D7/384**

[58] **Field of Search D7/384, 383, 376, 378,
D7/379, 386, 412; 241/92, 282.1, 282.2, 37.5**

[56] **References Cited**

U.S. PATENT DOCUMENTS

- D. 250,568 12/1978 Belinkoff D7/153
- D. 251,407 3/1979 Tsuji et al. D7/153
- D. 254,948 5/1980 Besford D7/153

- D. 256,318 8/1980 Levin D7/154
- D. 272,979 3/1984 Akita et al. D7/384
- 4,111,372 9/1978 Hicks et al. 241/37.5

Primary Examiner—Bernard Ansher
Assistant Examiner—Linda Titolo
Attorney, Agent, or Firm—Cohen, Pontani & Lieberman

[57] **CLAIM**

The ornamental design for a food processor, as shown and described.

DESCRIPTION

FIG. 1 is a top rear right side perspective view of a food processor, showing my new design;
FIG. 2 is a front elevational view thereof;
FIG. 3 is a left side elevational view thereof;
FIG. 4 is a top plan view thereof; and
FIG. 5 is a bottom plan view thereof.

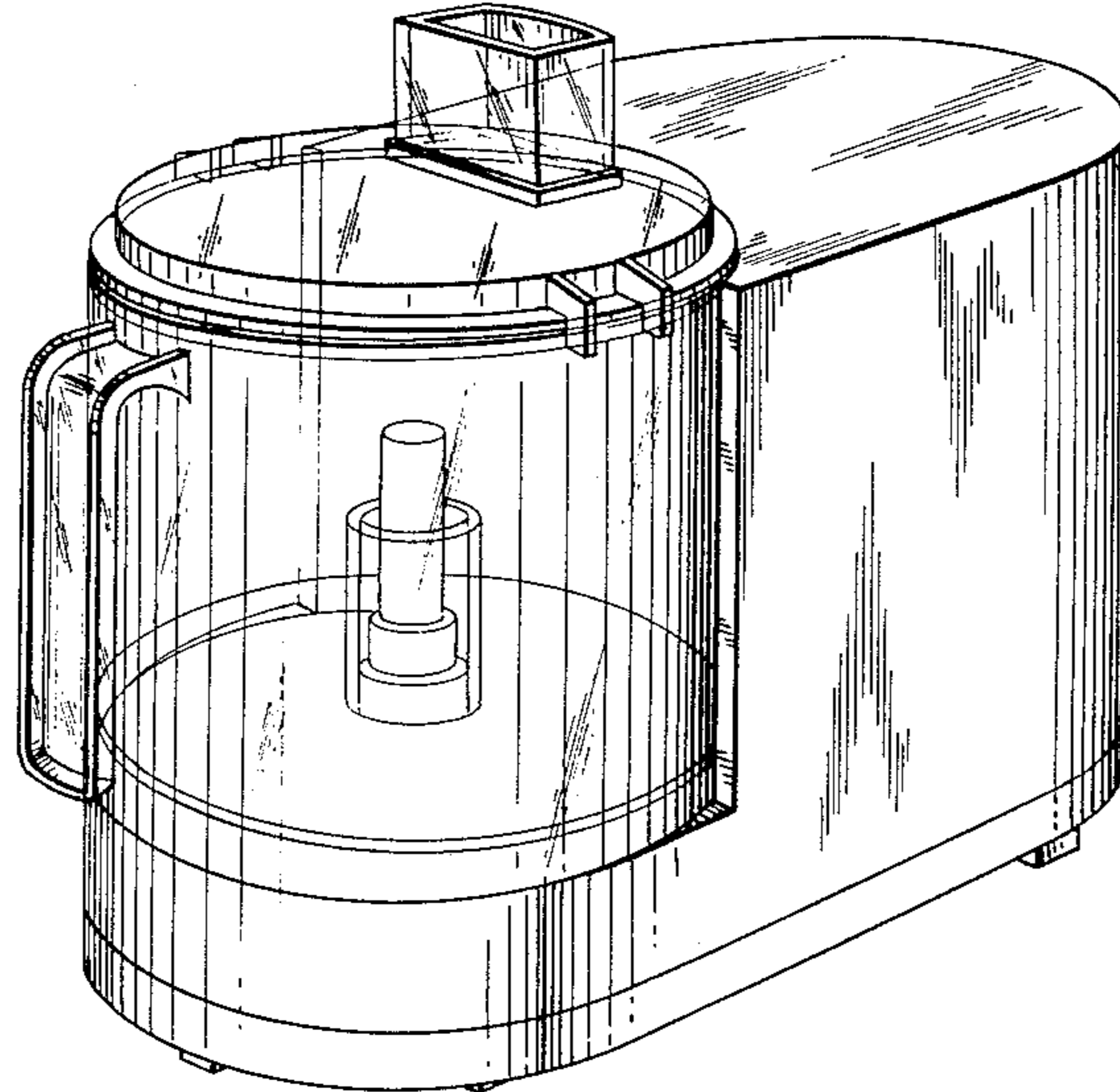
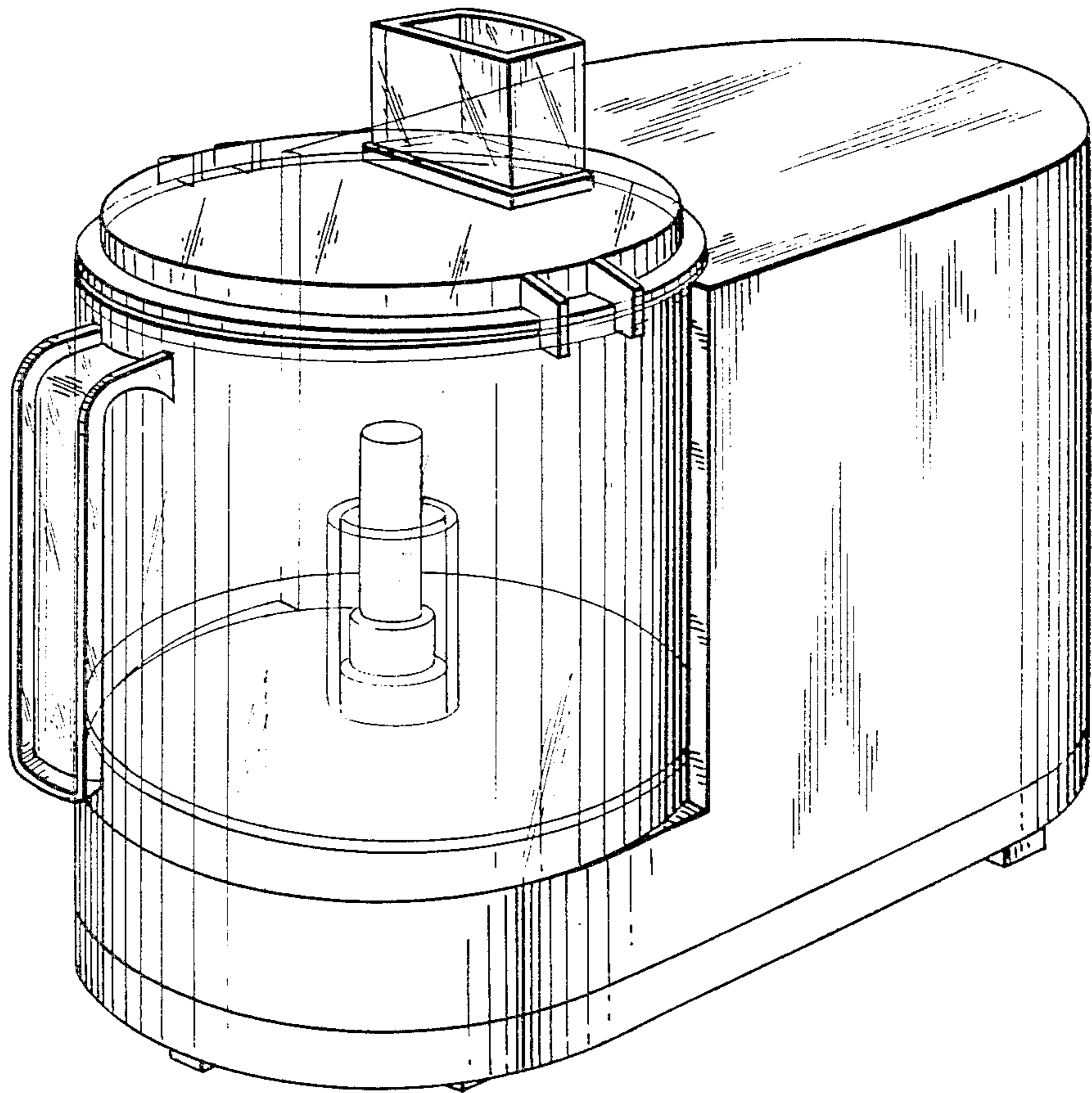


FIG. 1



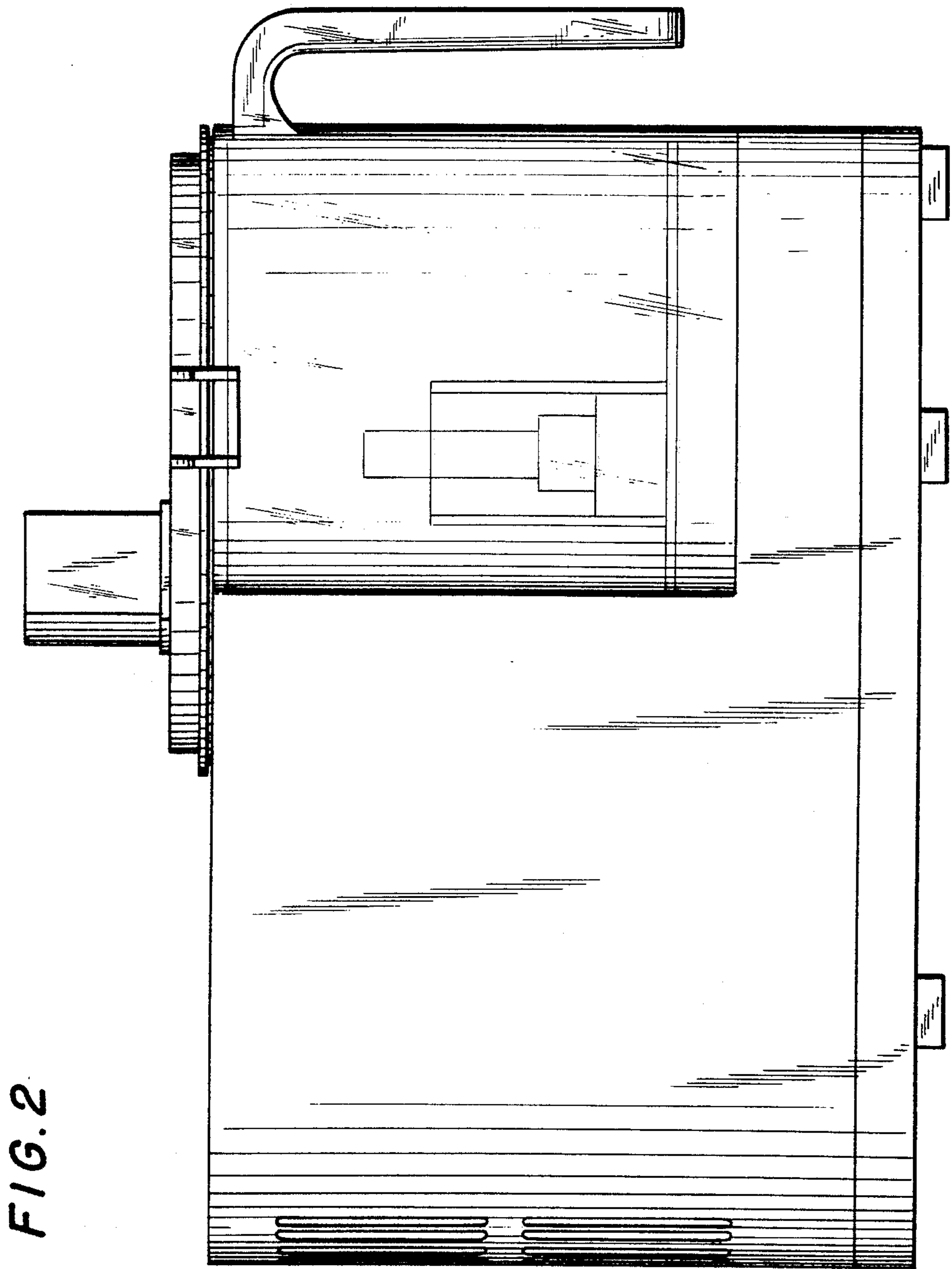
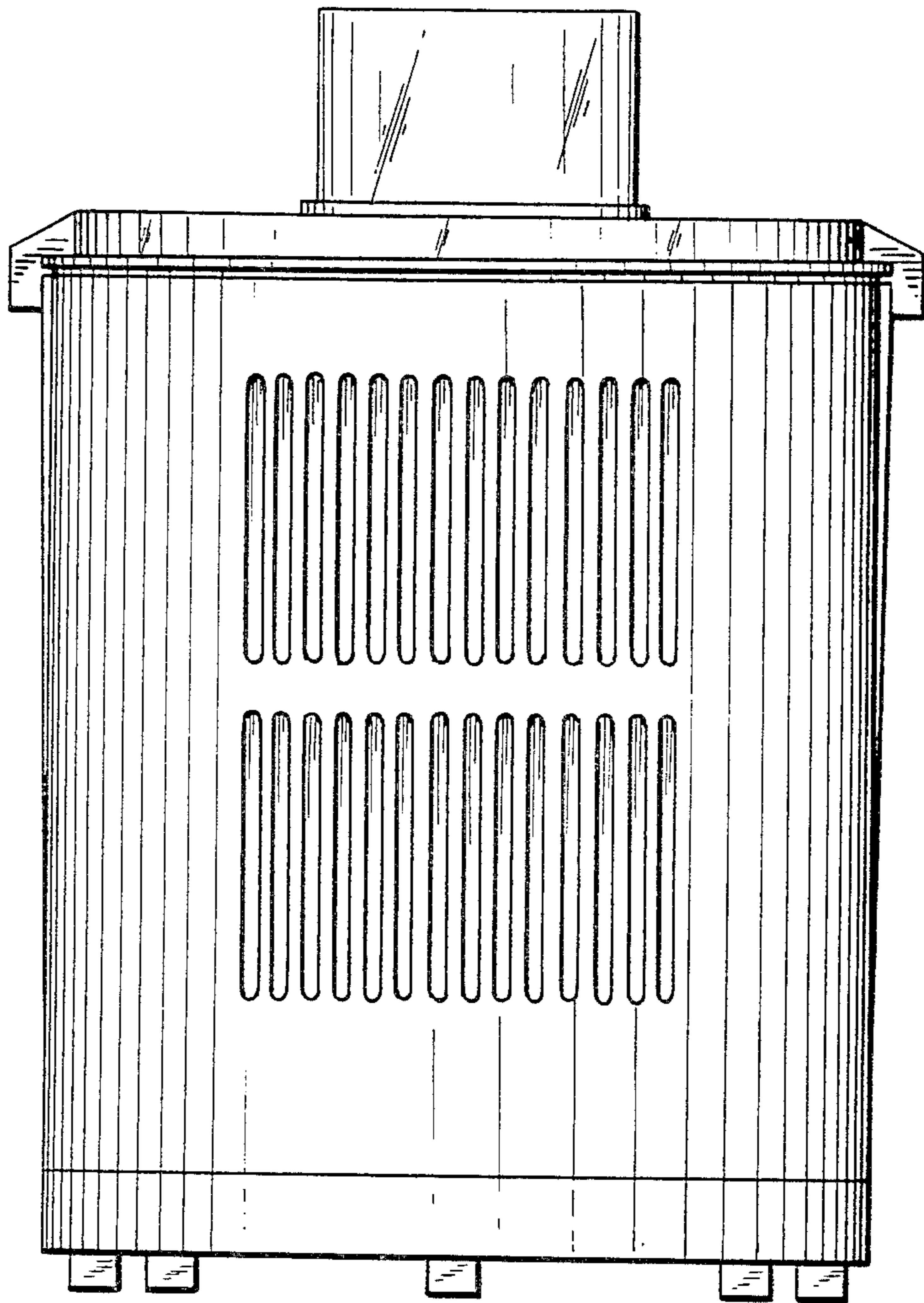


FIG. 3



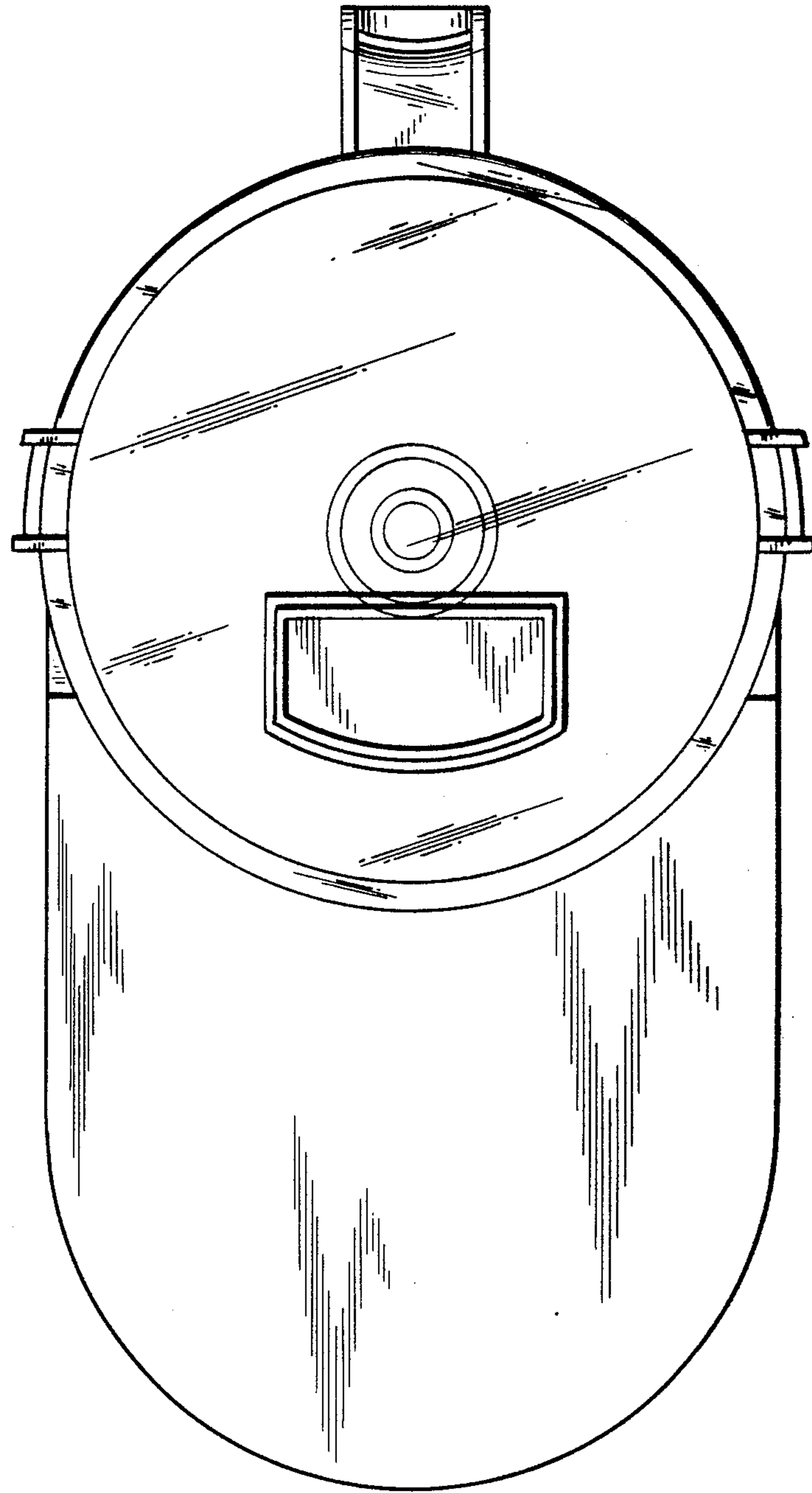


FIG. 4

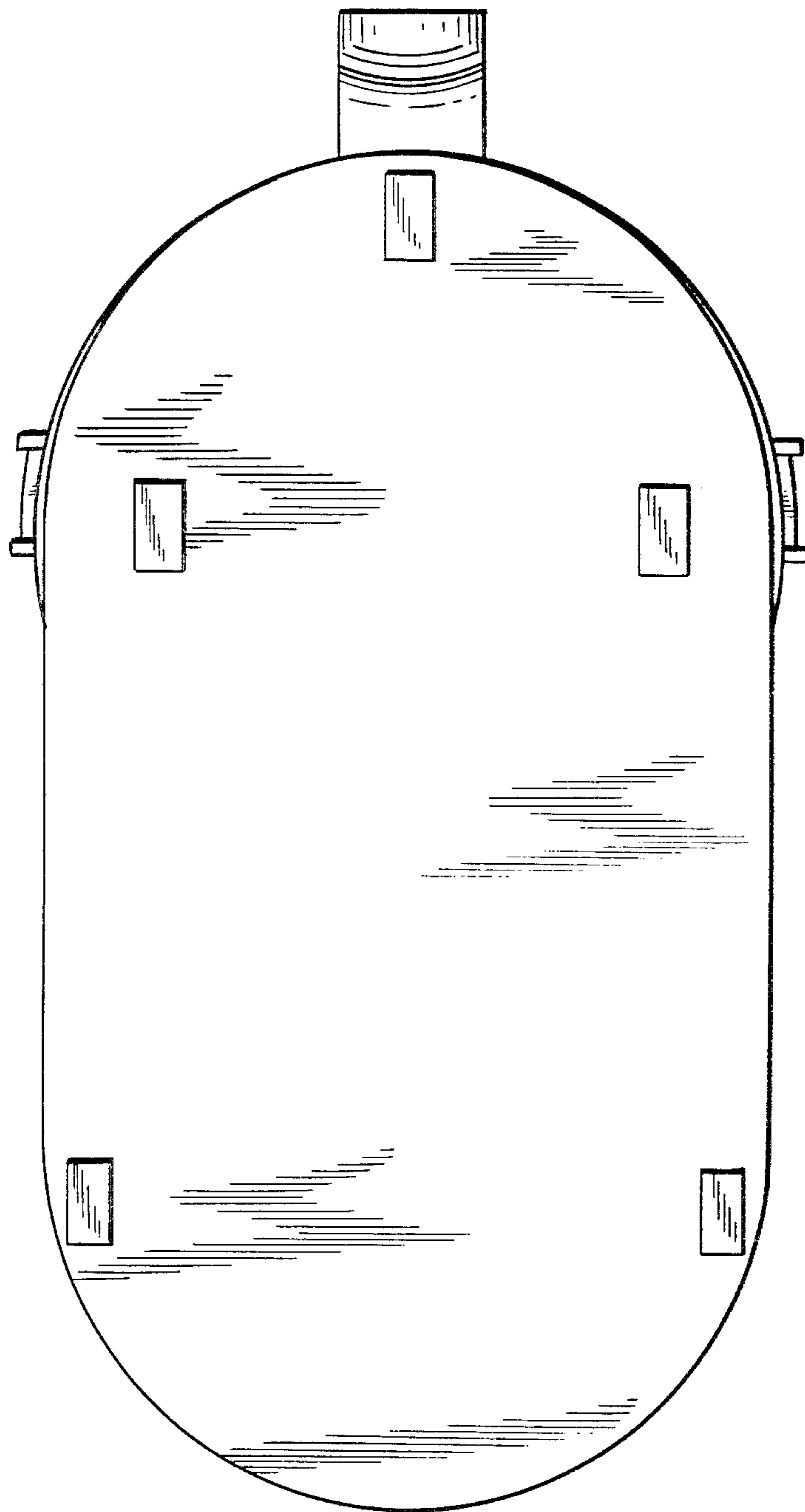


FIG. 5