

[54] **BARBECUE GRILL**

[75] Inventors: **James F. Fitzgerald**, Freeport; **Doyle Raymer**, Davis; **Charles K. Seltz**, Gurnee, all of Ill.

[73] Assignee: **King-Seeley Thermos Company**, Prospect Hts., Ill.

[**] Term: **14 Years**

[21] Appl. No.: **609,795**

[22] Filed: **May 14, 1984**

[52] U.S. Cl. **D7/332**

[58] Field of Search **D7/331-337;**
126/25 R, 25 A, 25 B, 29, 30, 9 R, 9 A, 9 B

[56] **References Cited**

U.S. PATENT DOCUMENTS

- D. 215,382 9/1969 Deines et al. **D7/335**
- D. 219,081 10/1970 Koziol **D7/335**
- D. 231,070 4/1974 Koziol **D7/332**

Primary Examiner—Wallace R. Burke

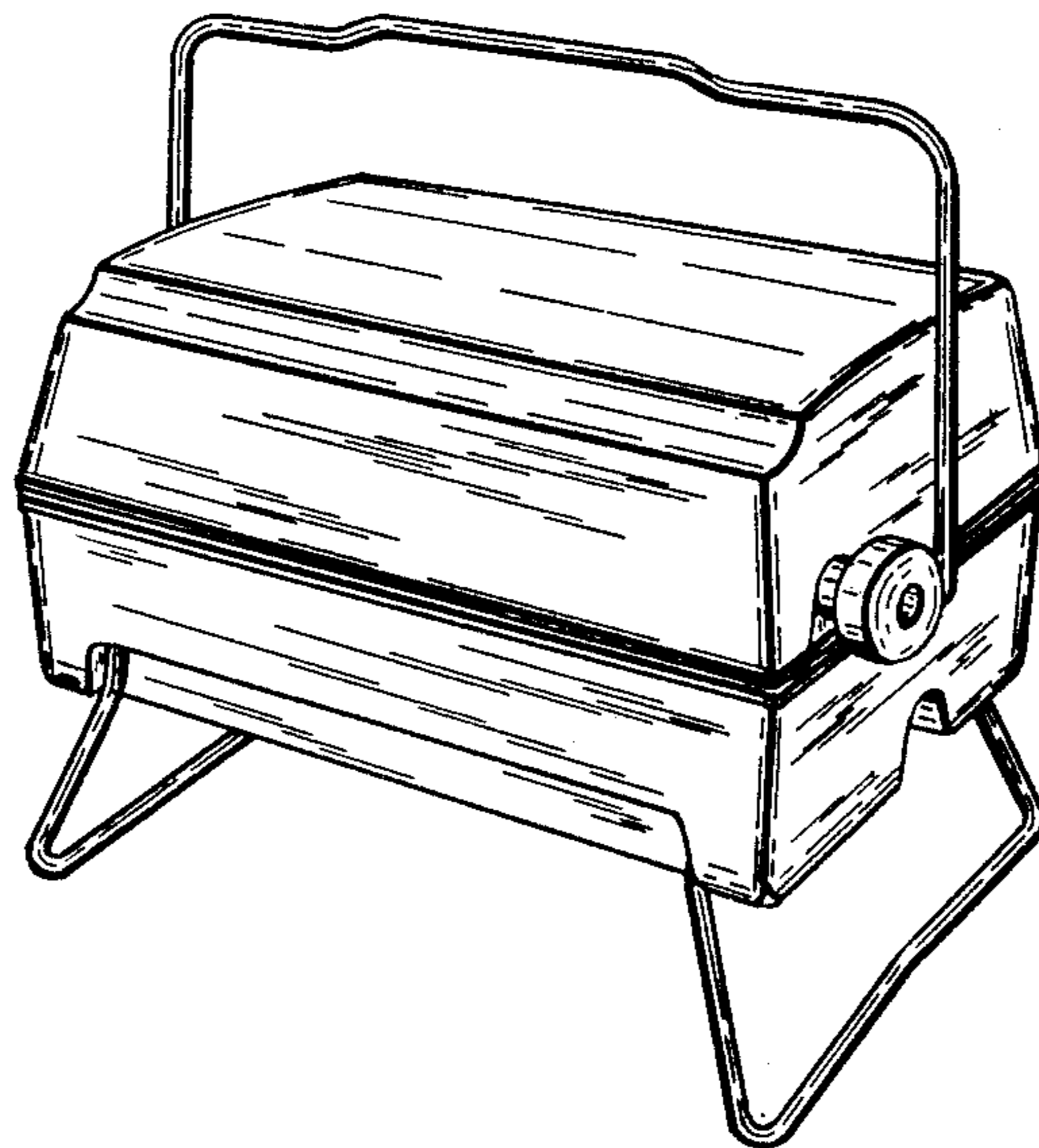
Assistant Examiner—Lynn Wilder
Attorney, Agent, or Firm—Harness, Dickey & Pierce

[57] **CLAIM**

The design for barbecue grill, as shown and described.

DESCRIPTION

FIG. 1 is a perspective view of one embodiment of a barbecue grill showing our new design;
 FIG. 2 is a left end elevational view thereof;
 FIG. 3 is a right end elevational view thereof;
 FIG. 4 is a front elevational view thereof;
 FIG. 5 is a top plan elevational view thereof;
 FIG. 6 is a bottom plan elevational view thereof;
 FIG. 7 is a rear elevational view thereof;
 FIG. 8 is a perspective view of a second embodiment of a barbecue grill showing our new design;
 FIG. 9 is a front elevational view of the barbecue grill shown in FIG. 8;
 FIG. 10 is a top plan elevational view of the barbecue grill shown in FIG. 8;
 FIG. 11 is a right end elevational view of the barbecue grill shown in FIG. 8.



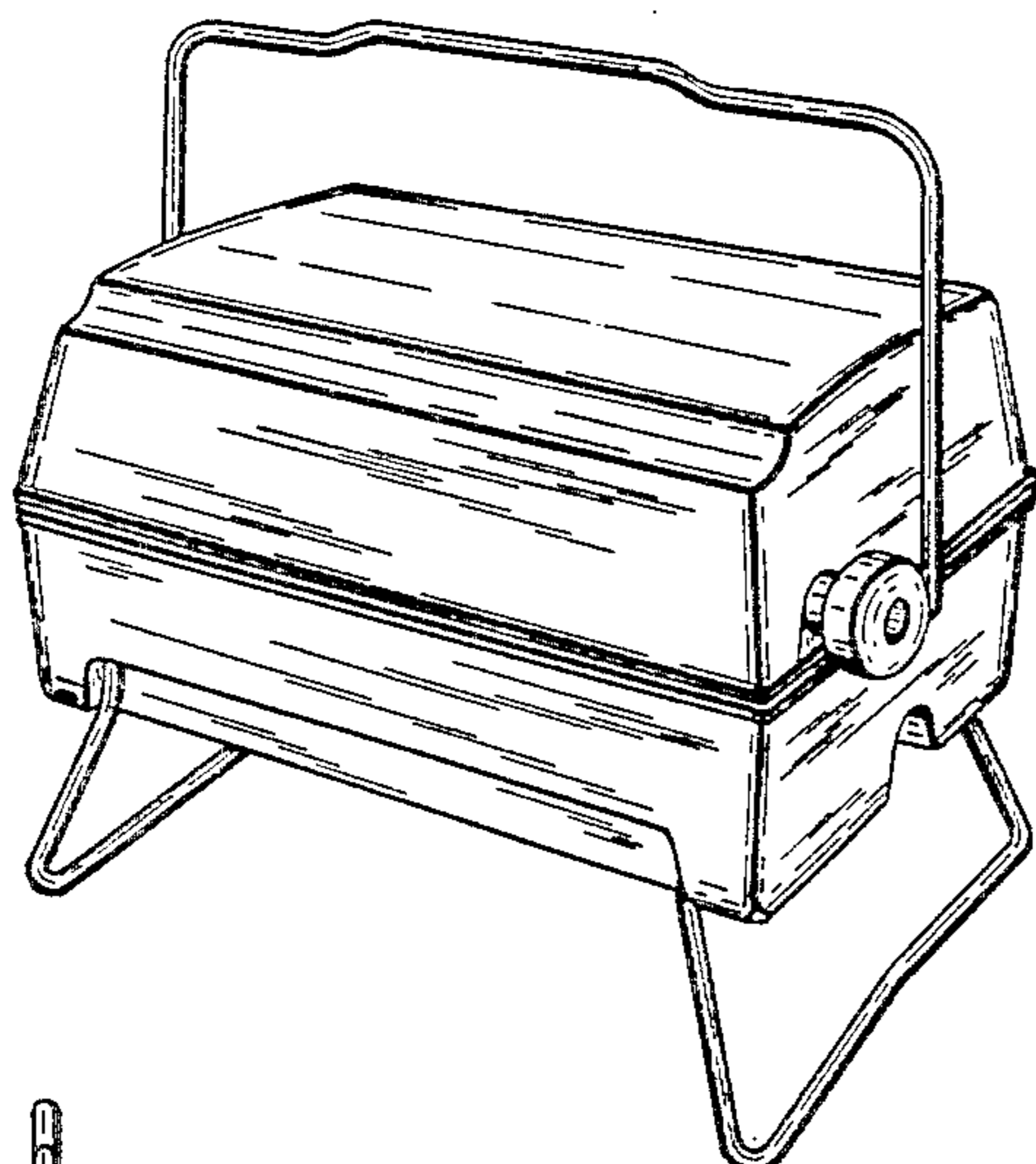


FIG. 1.

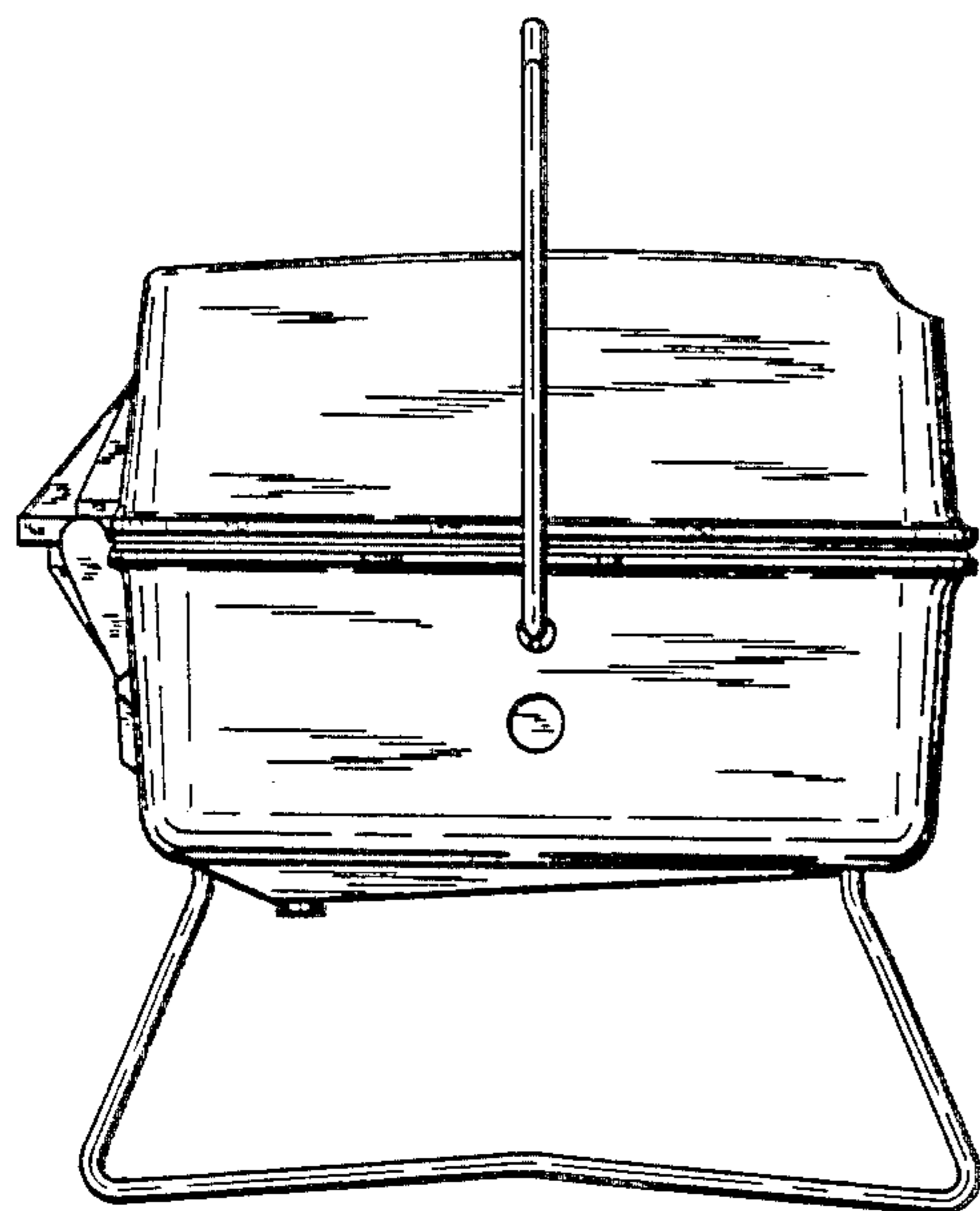


FIG. 2.

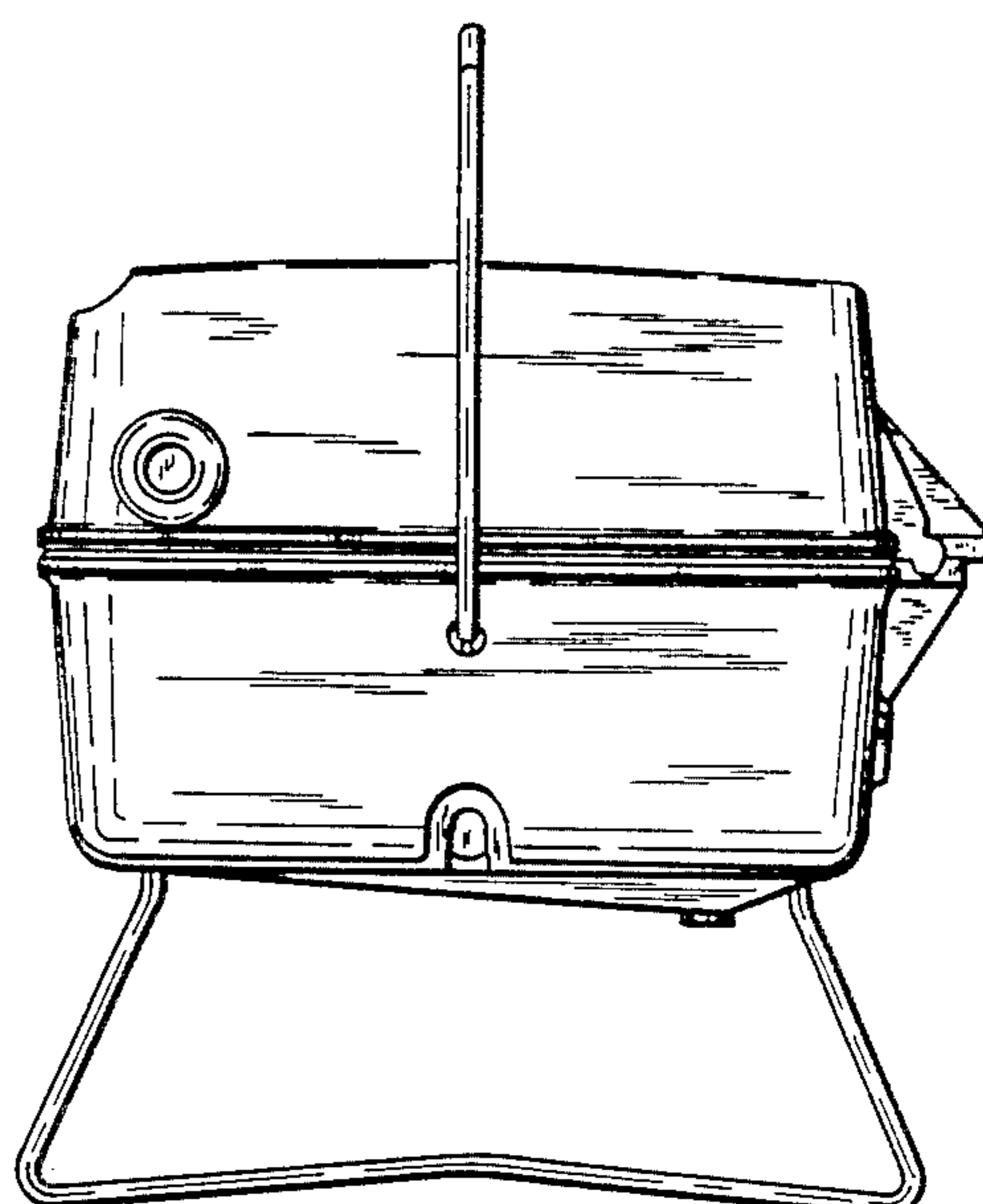


FIG. 3.

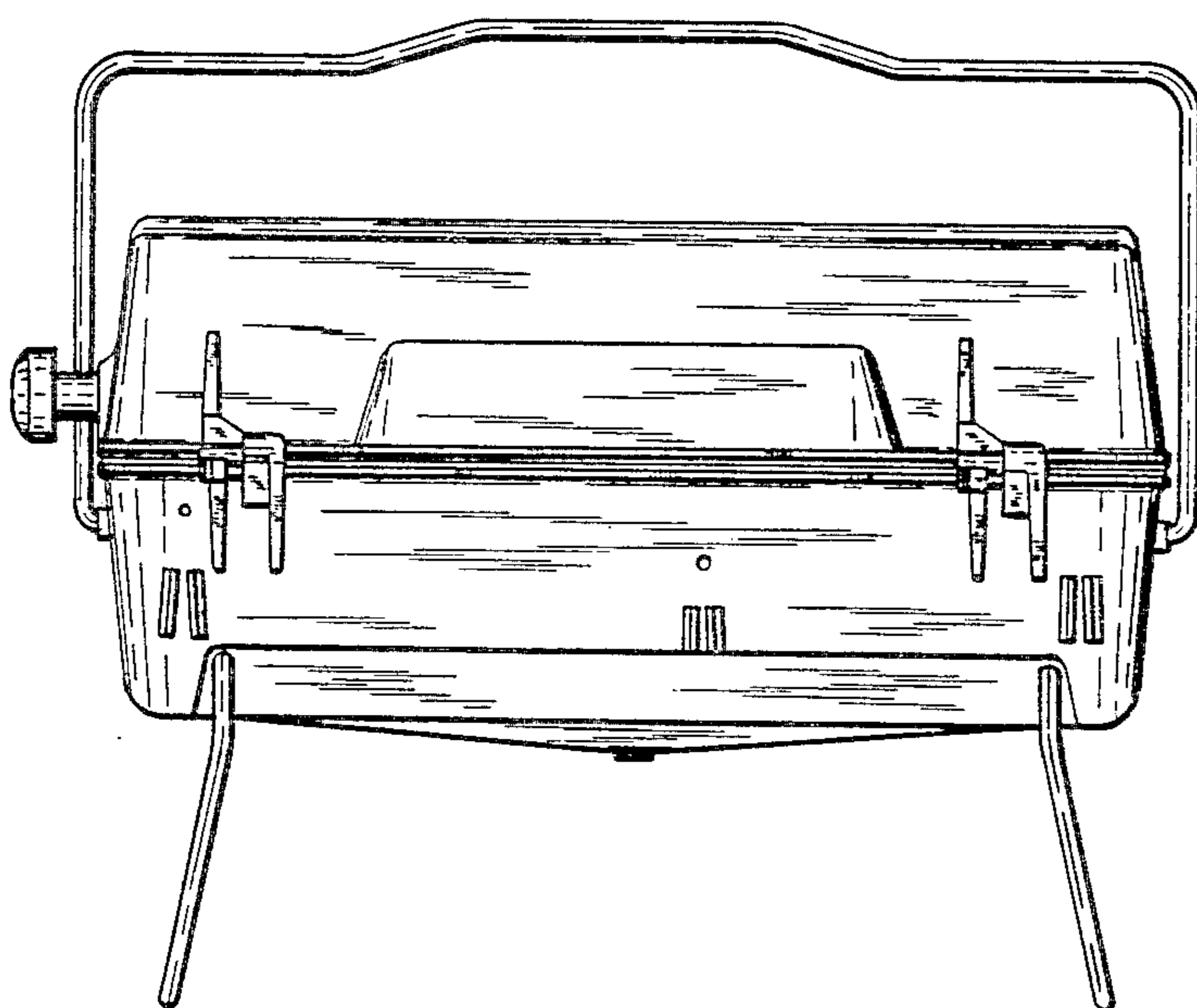


FIG. 4.

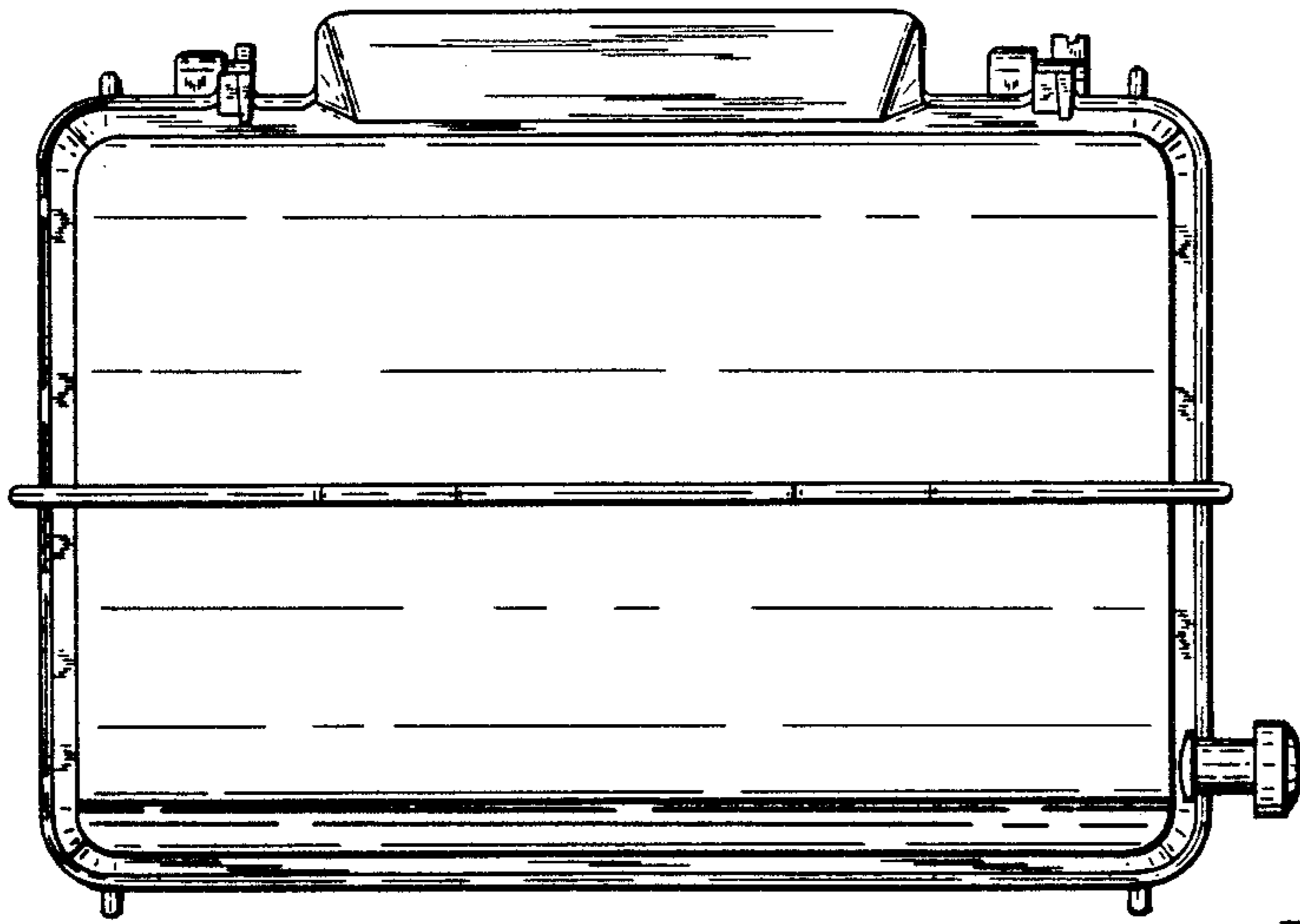


FIG. 5.

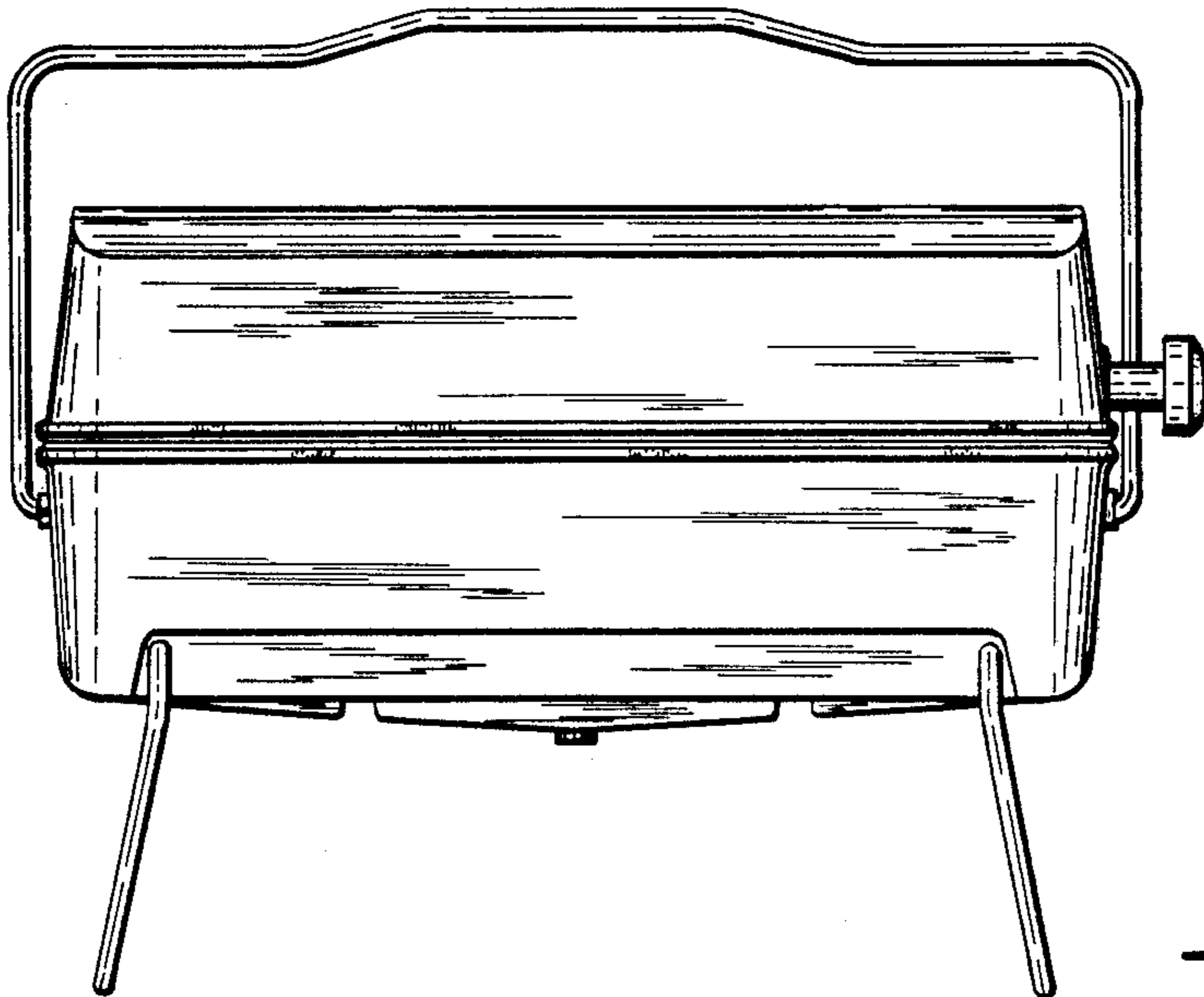


FIG. 4.

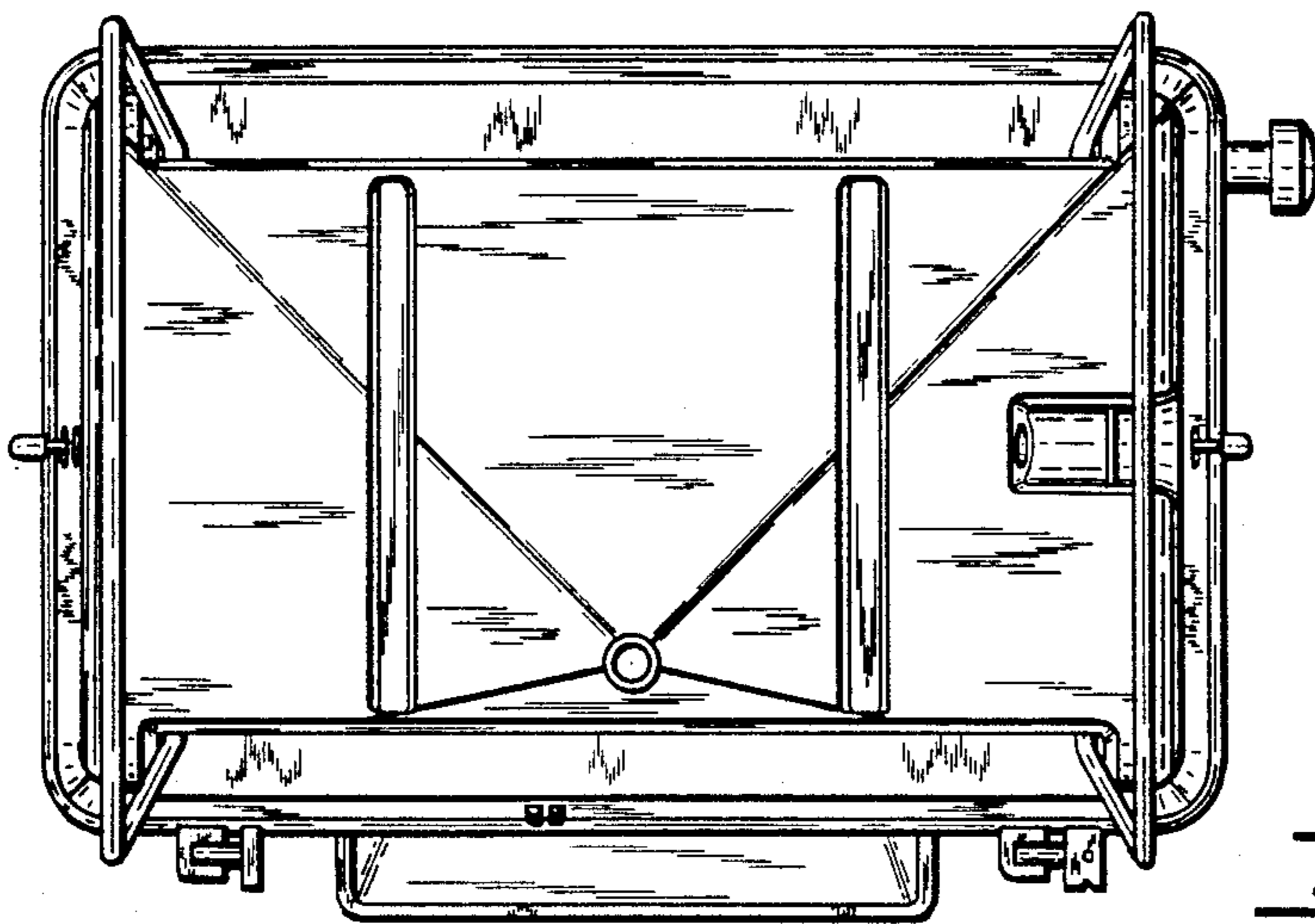


FIG. 6.

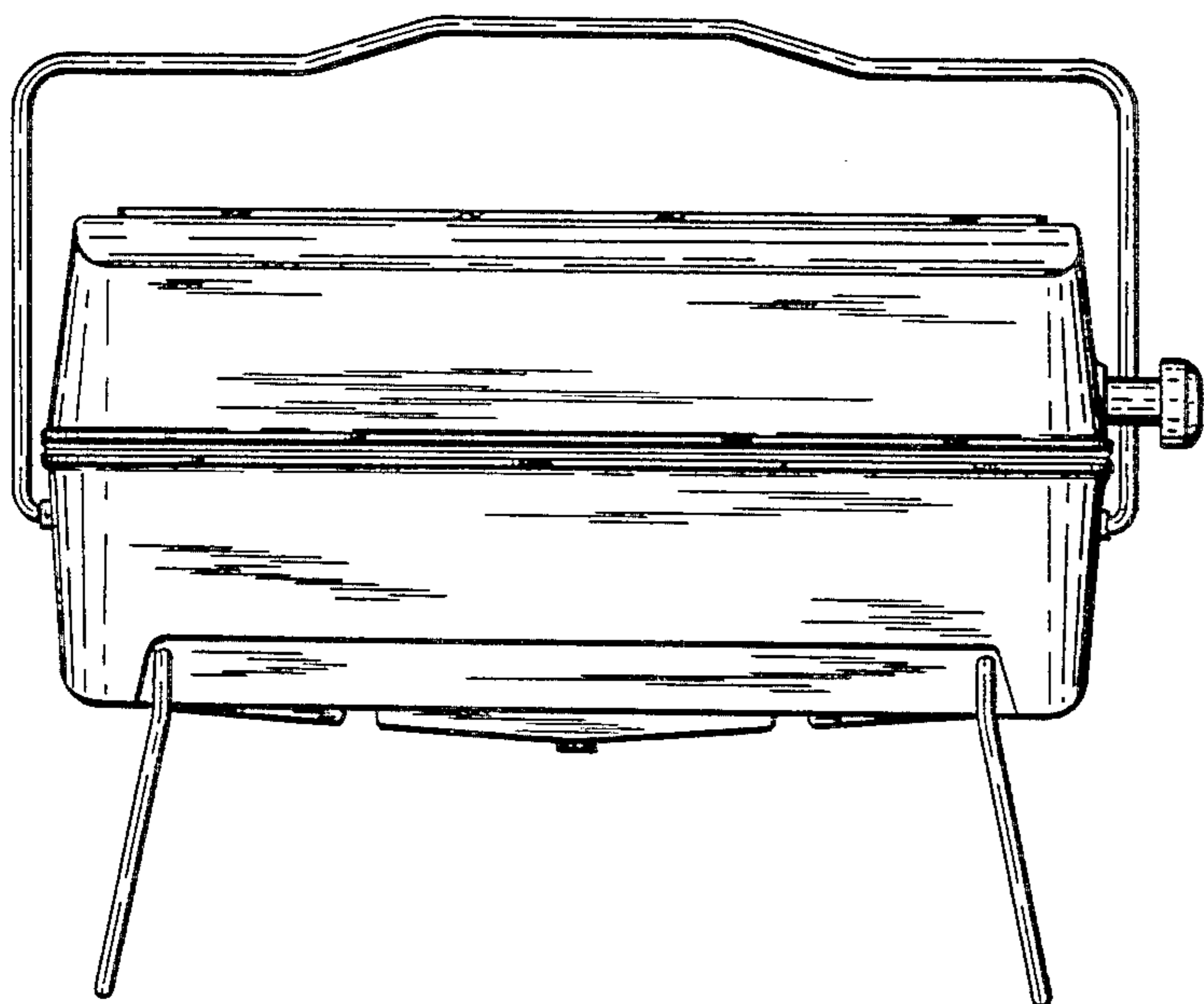
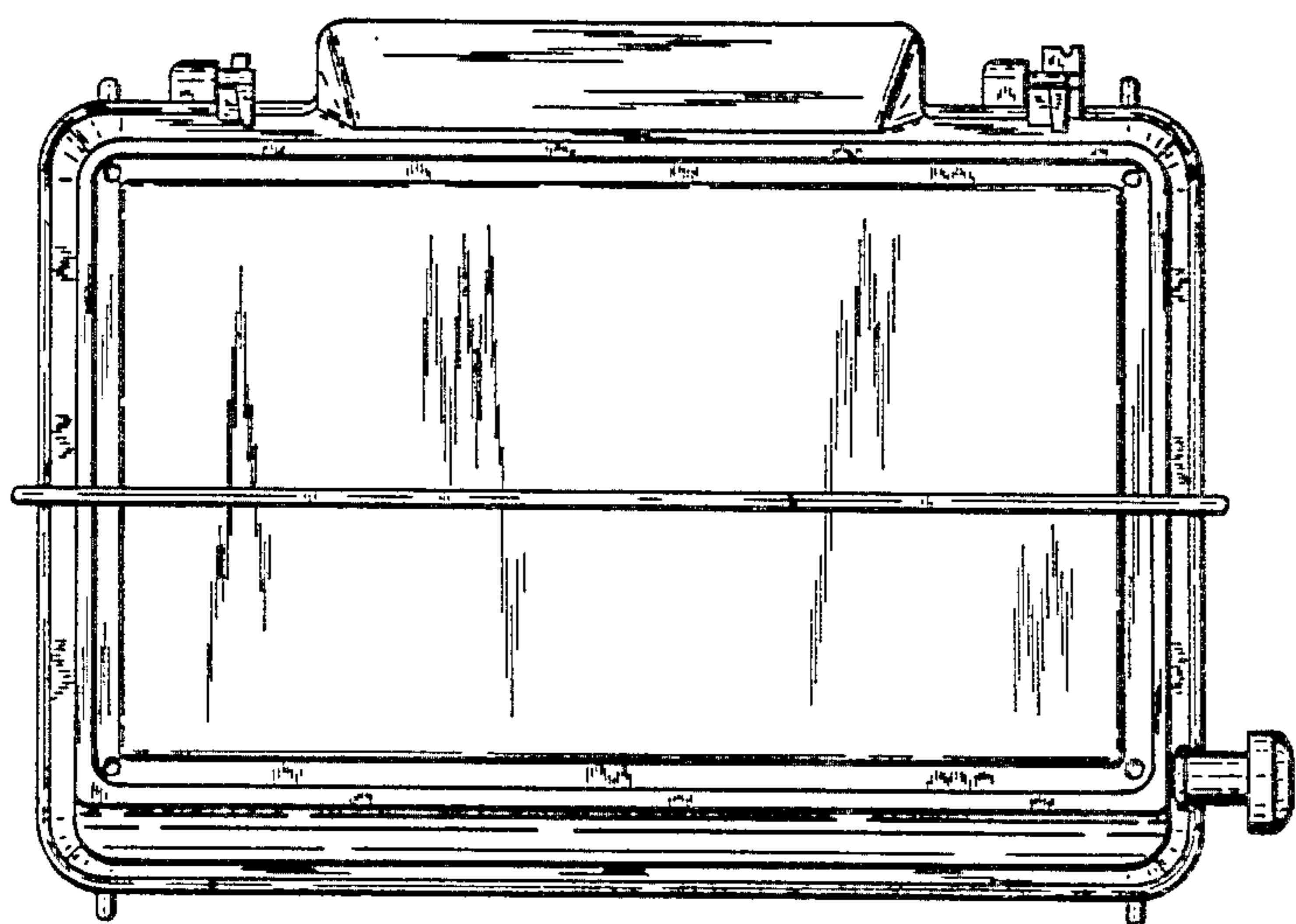
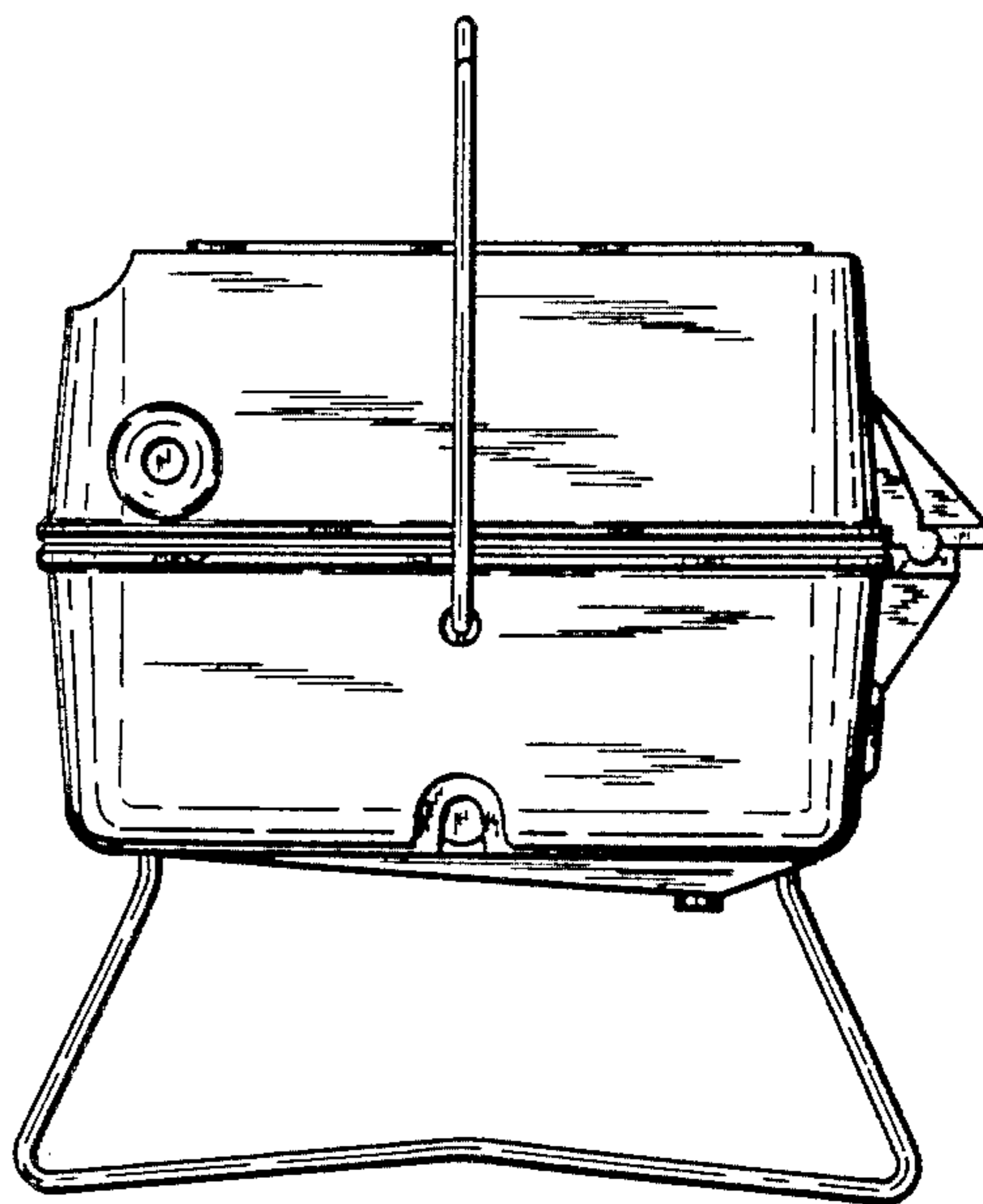
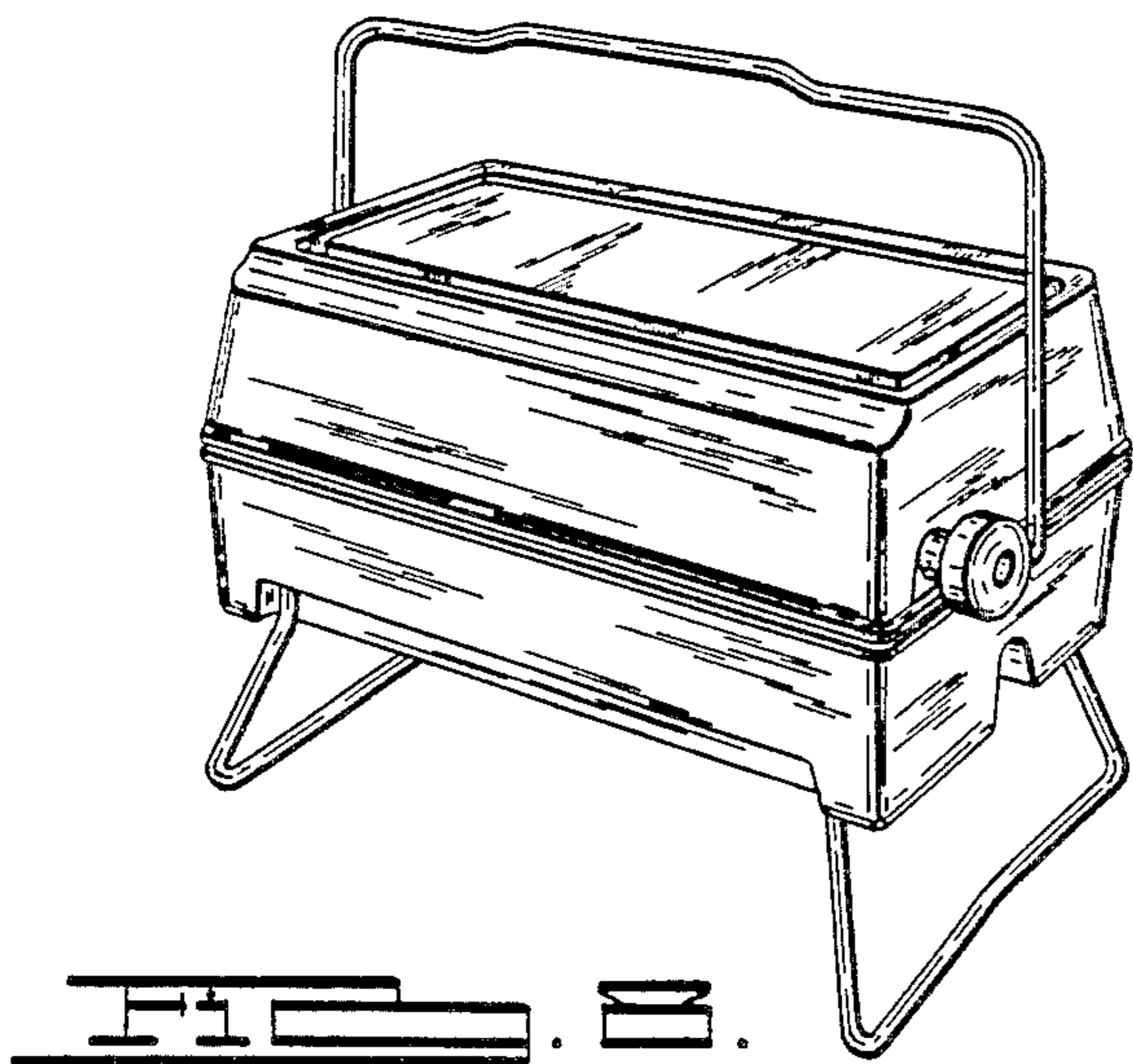


FIG. 11.

FIG. 10.

FIG. 9.