

[54] **TABLE**

[75] **Inventor: Robert De Fuccio, Spinnerstown, Pa.**

[73] **Assignee: Simmons Universal Corporation,
New York, N.Y.**

[**] **Term: 14 Years**

[21] **Appl. No.: 476,086**

[22] **Filed: Mar. 17, 1983**

[52] **U.S. Cl. D6/484**

[58] **Field of Search D6/449, 477, 478, 479,
D6/480, 484**

[56] **References Cited**

U.S. PATENT DOCUMENTS

D. 260,713 9/1981 Potucek D6/484

OTHER PUBLICATIONS

Interiors, Aug. 1982, p. 47, table top left.
Interior, Apr. 1974, p. 87, table at right center.

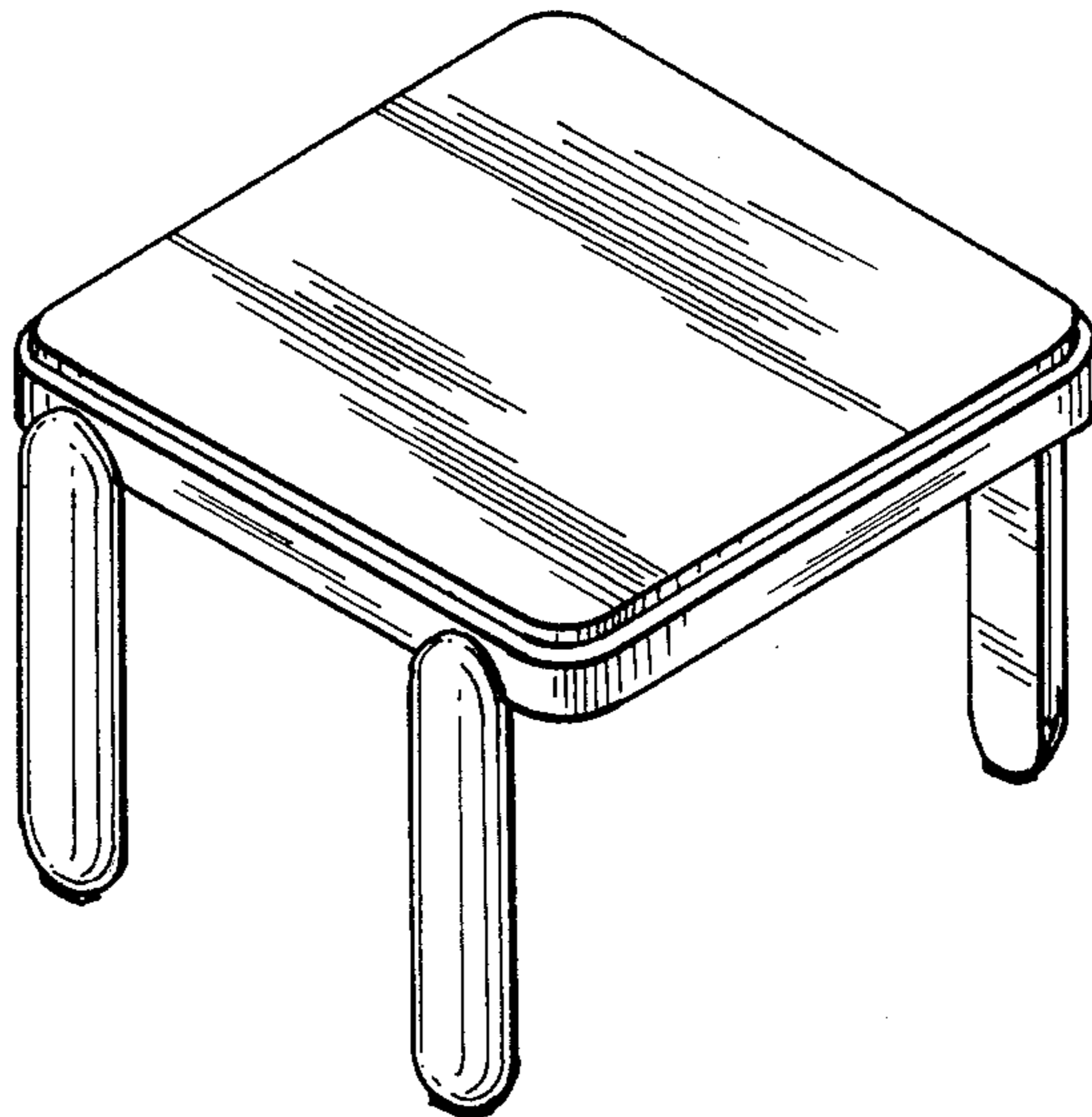
Primary Examiner—Bruce W. Dunkins
Attorney, Agent, or Firm—A. Thomas Kammer

[57] **CLAIM**

The ornamental design for a table, as shown and described.

DESCRIPTION

FIG. 1 is a front perspective view of a table according to the present invention;
FIG. 2 is a side elevation view thereof;
FIG. 3 is a top view thereof;
FIG. 4 is an end view thereof; and
FIG. 5 is a front perspective view of an alternative embodiment of the invention which is identical in all respects to the embodiment of FIGS. 1-4 except that it has a rectangular top.



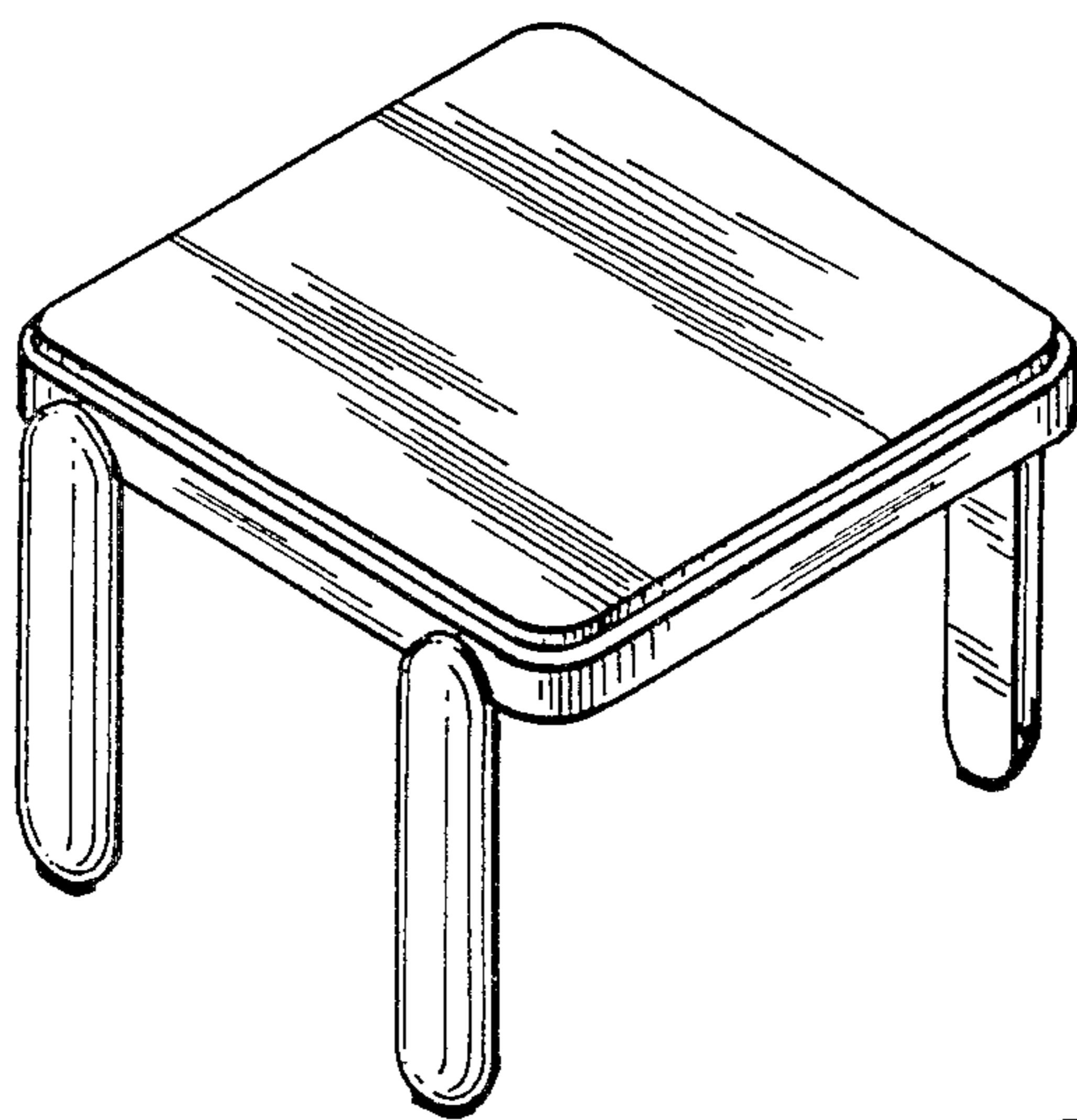


FIG. 1

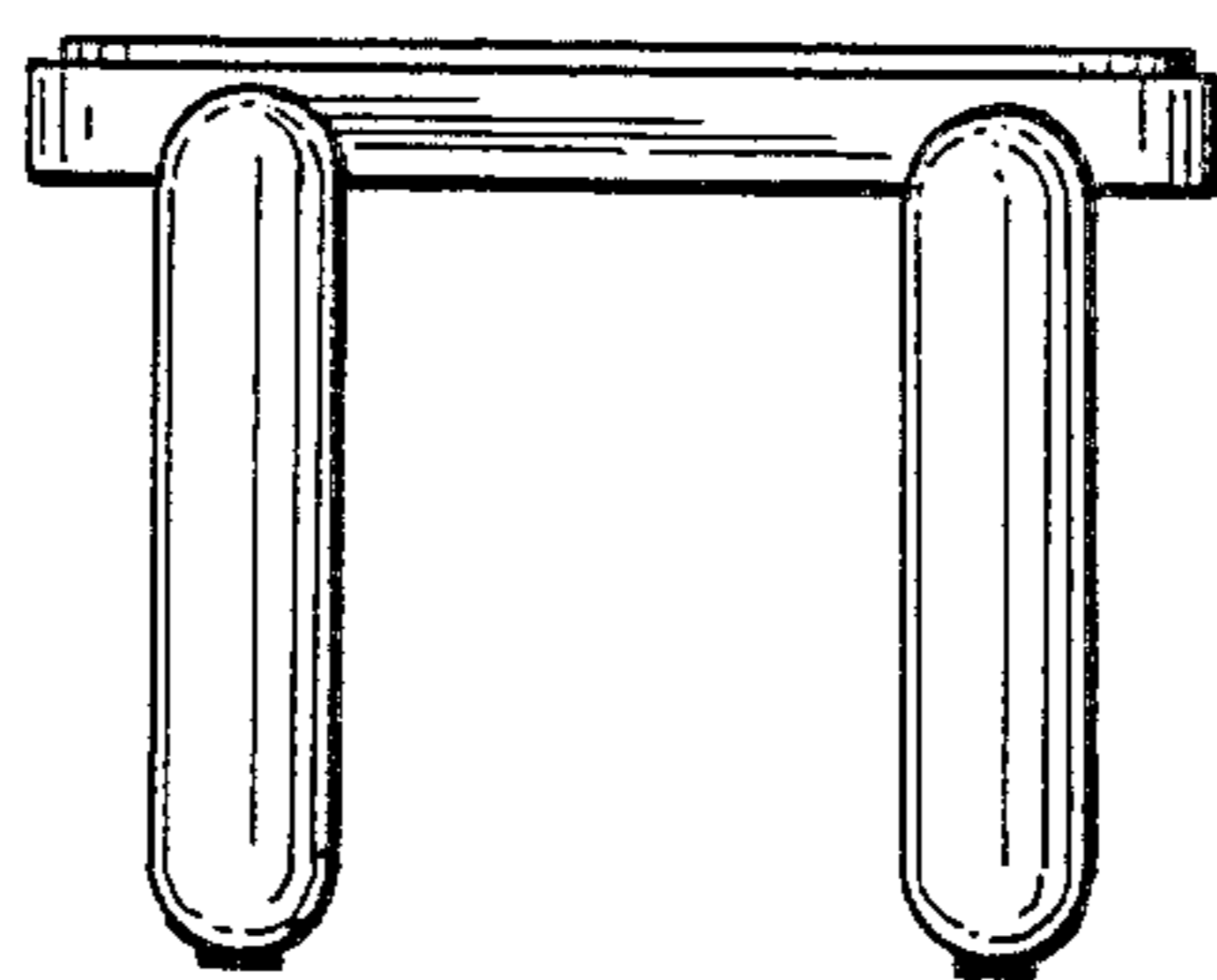


FIG. 2

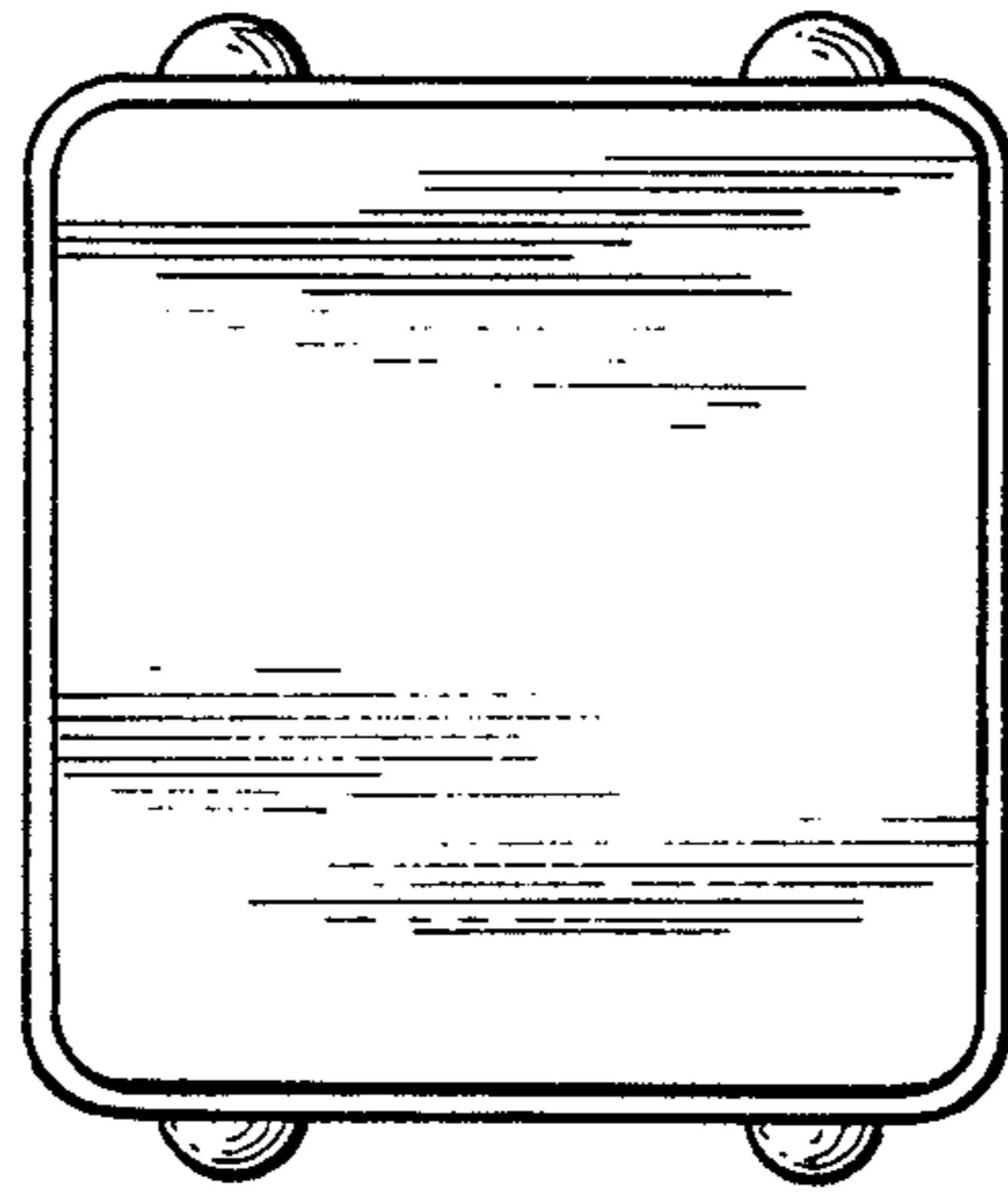


FIG. 3

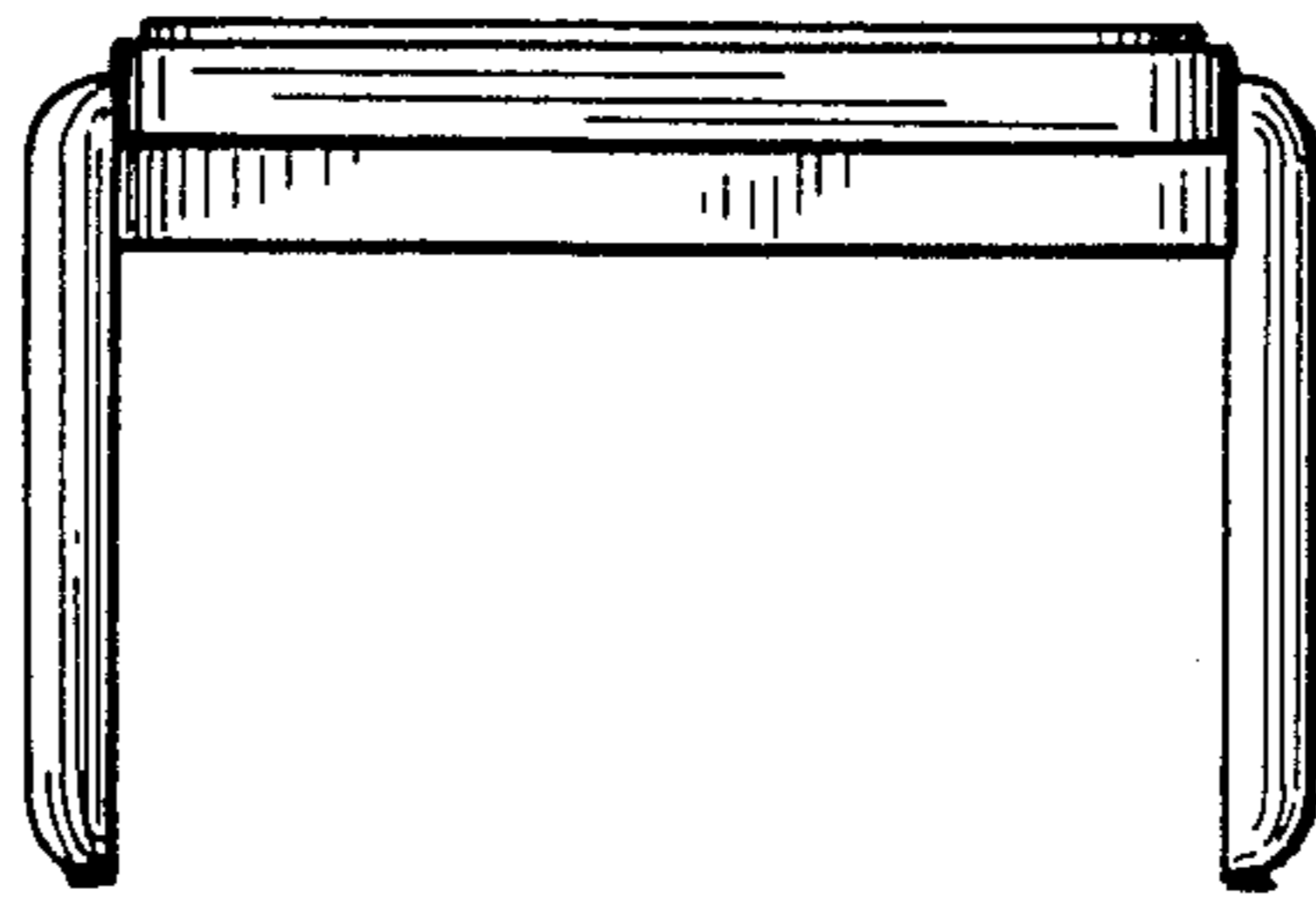


FIG. 4

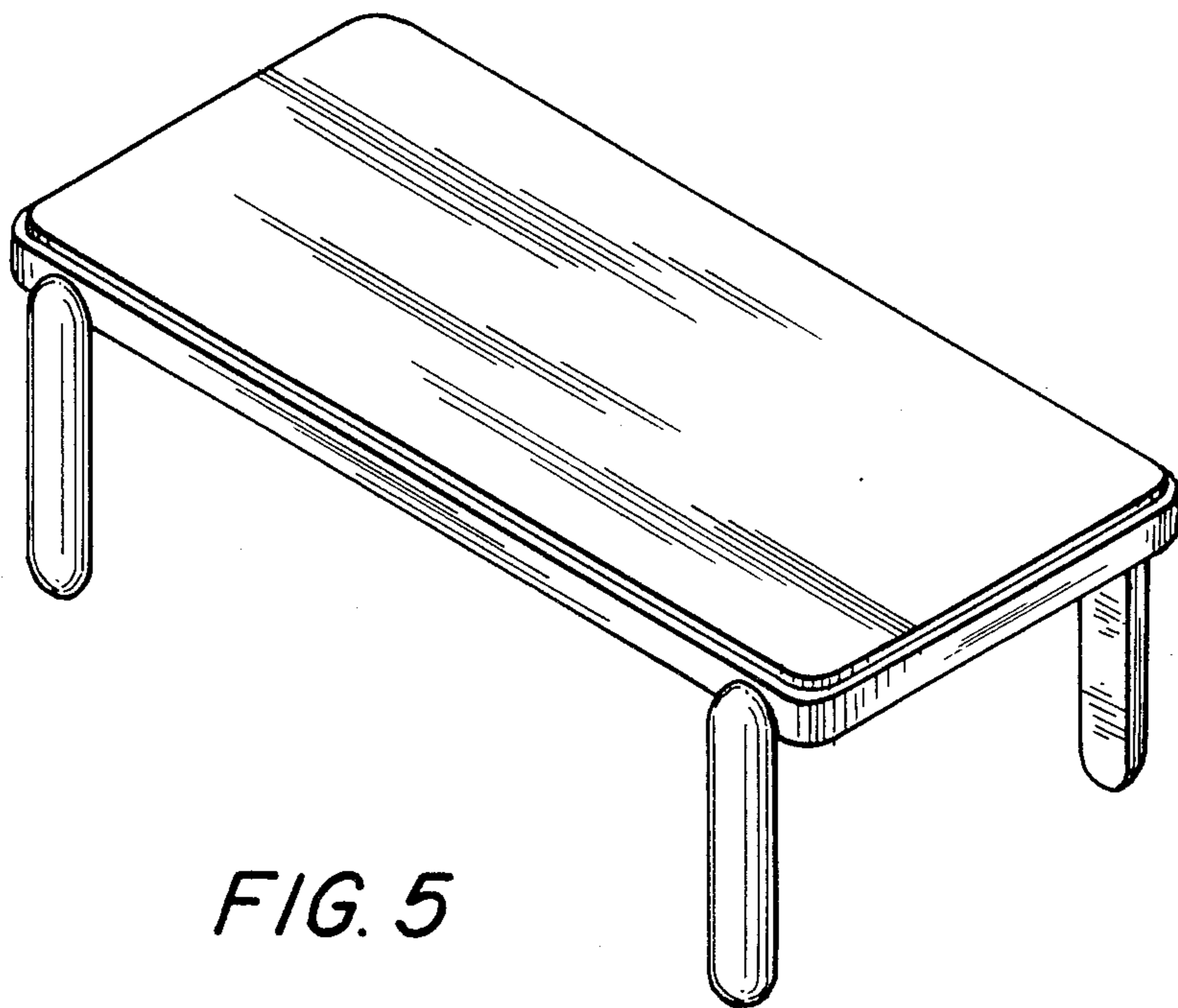


FIG. 5