

[54] **FRAME SUPPORT FOR A COMBINED SEAT AND TABLE UNIT**

[76] **Inventor: Scott D. Crowe, 45 Jody La., Camarillo, Calif. 93010**

[*] **Notice: The portion of the term of this patent subsequent to Jan. 14, 2000 has been disclaimed.**

[**] **Term: 14 Years**

[21] **Appl. No.: 481,652**

[22] **Filed: Apr. 4, 1983**

[52] **U.S. Cl. D6/337; D6/500**

[58] **Field of Search D6/334, 335, 500; 297/157**

[56] **References Cited**
U.S. PATENT DOCUMENTS

D. 196,655 10/1963 Berry D6/337

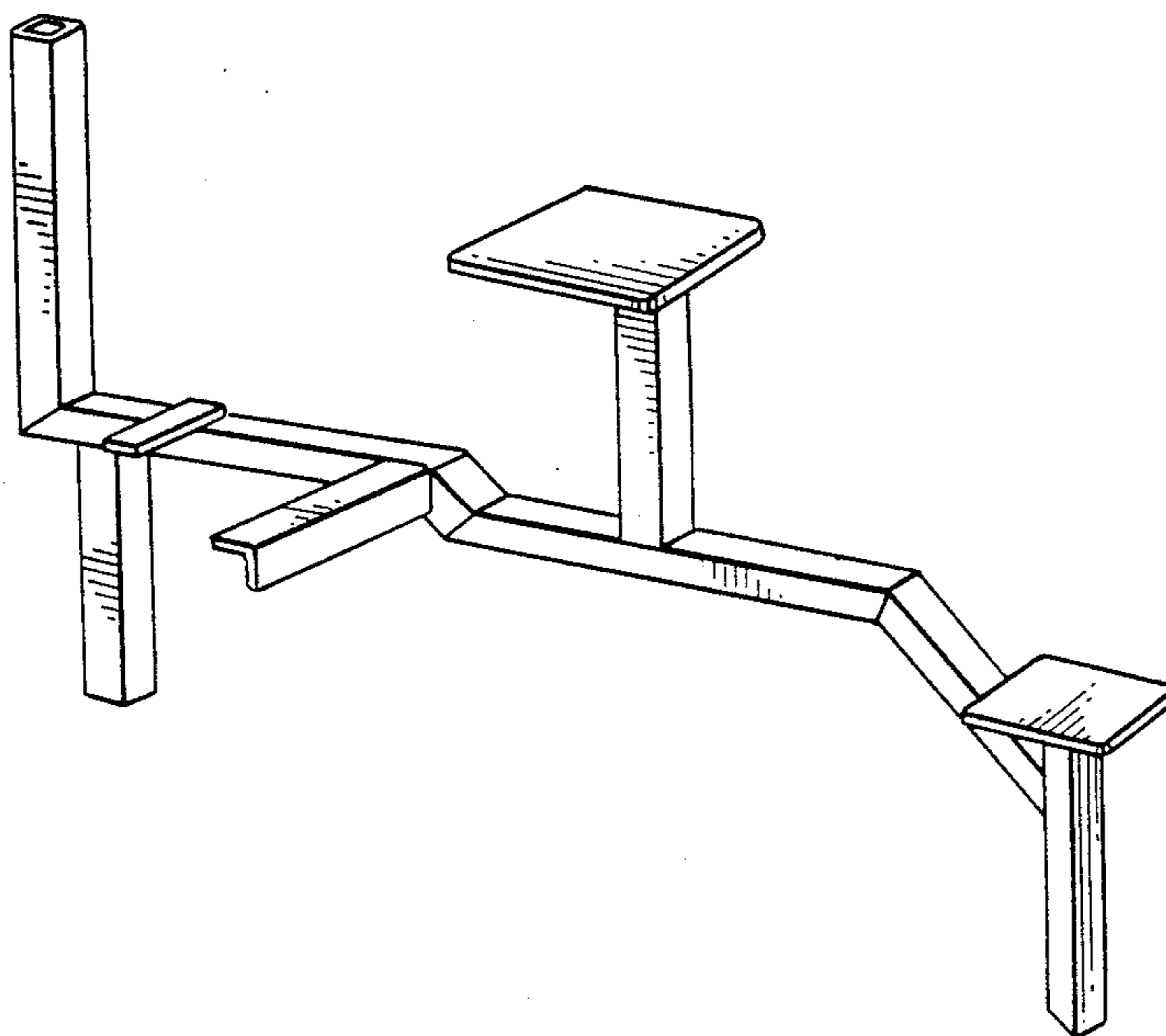
Primary Examiner—Bruce W. Dunkins
Attorney, Agent, or Firm—Edward J. DaRin

[57] **CLAIM**

The ornamental design for a frame support for a combined seat and table unit, substantially as shown and described.

DESCRIPTION

FIG. 1 is a front perspective view of a frame support for a combined seat and table unit, and showing my new design;
FIG. 2 is a top plan view thereof;
FIG. 3 is a front elevational view thereof;
FIG. 4 is a rear elevational view thereof;
FIG. 5 is a left side end elevational view thereof, as viewed in FIG. 1; and
FIG. 6 is a right side end elevational view thereof, as viewed in FIG. 1.



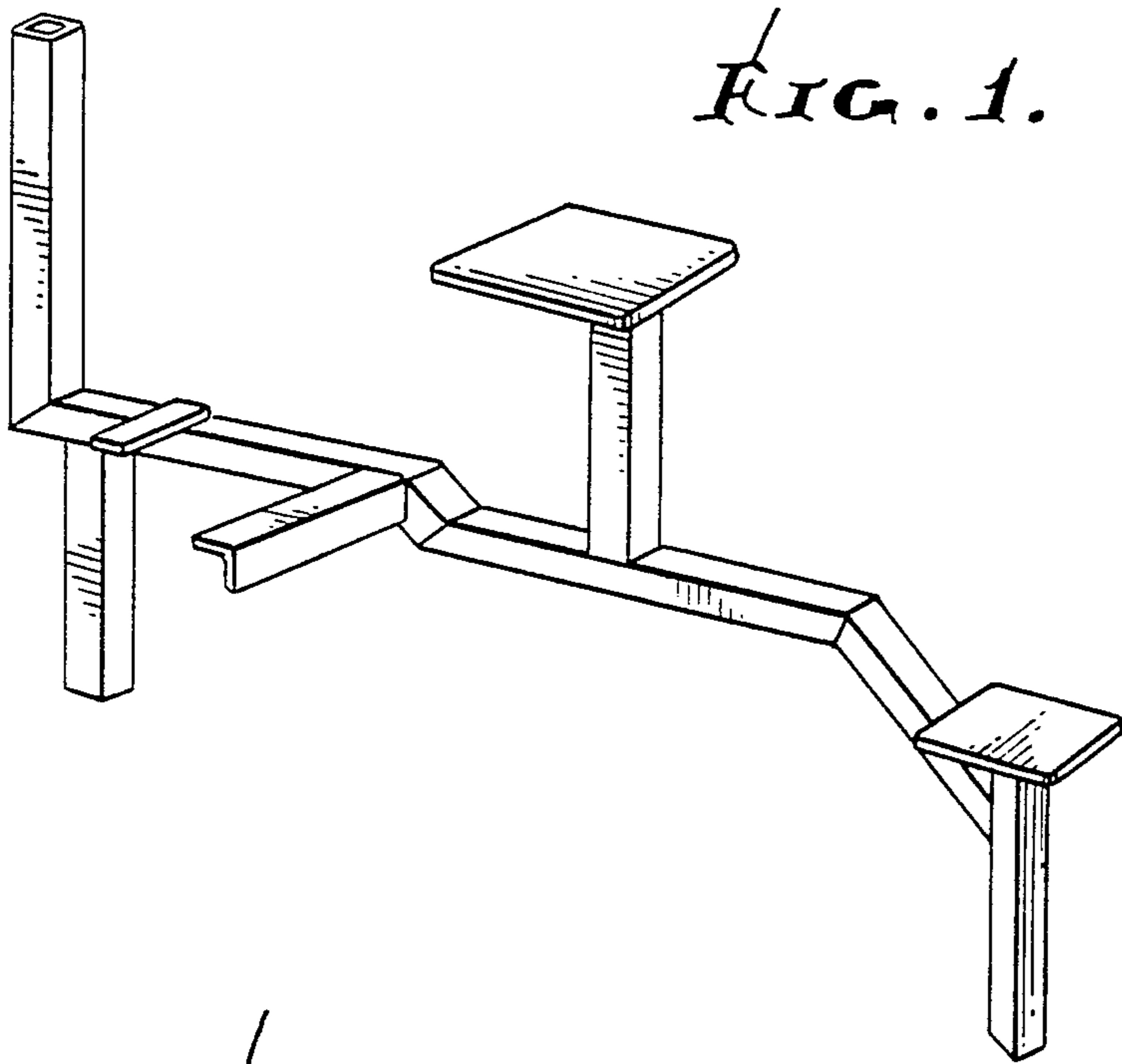


FIG. 2.

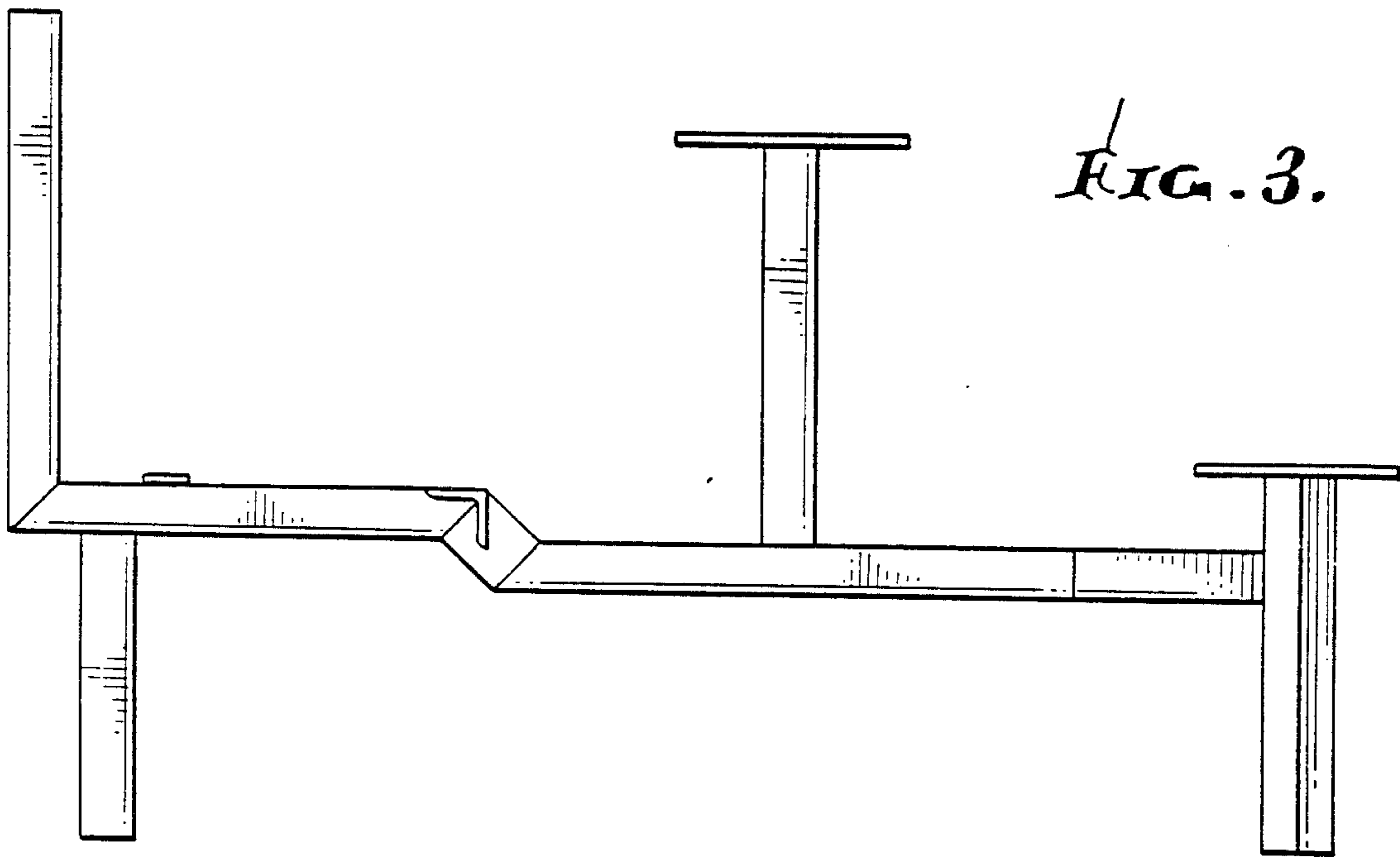
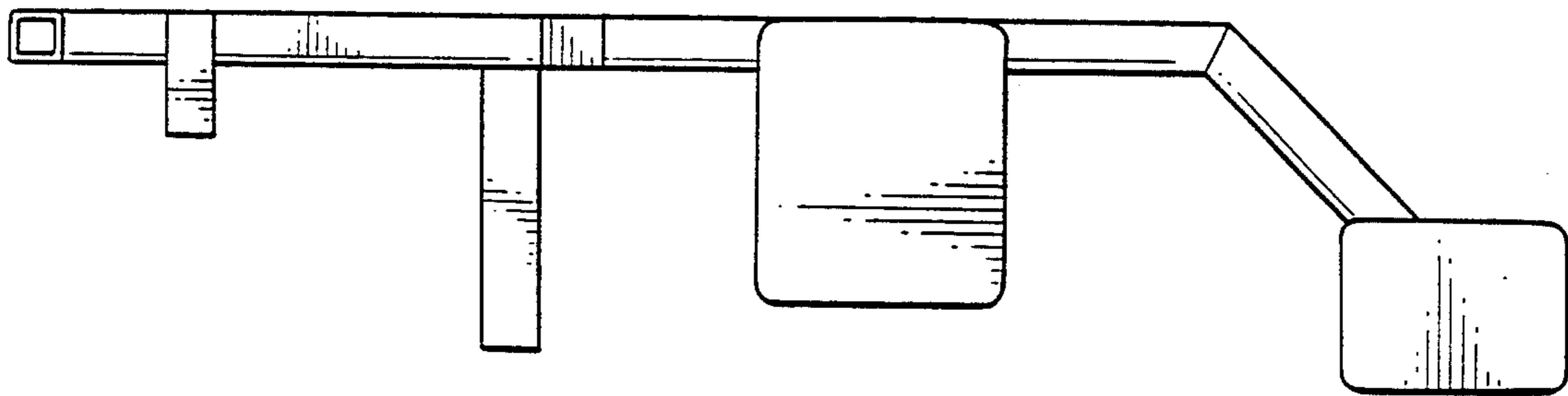


FIG. 4.

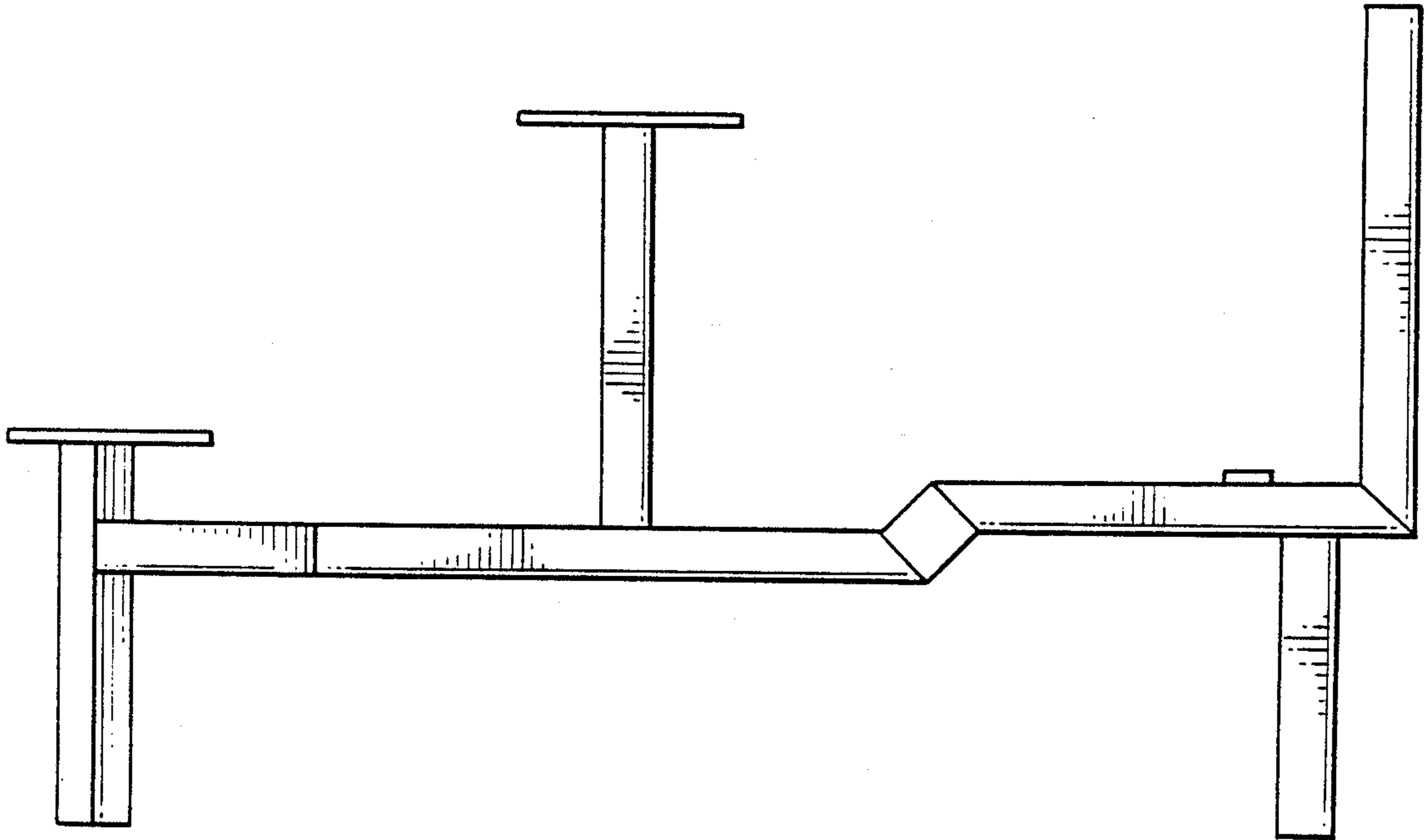


FIG. 5.

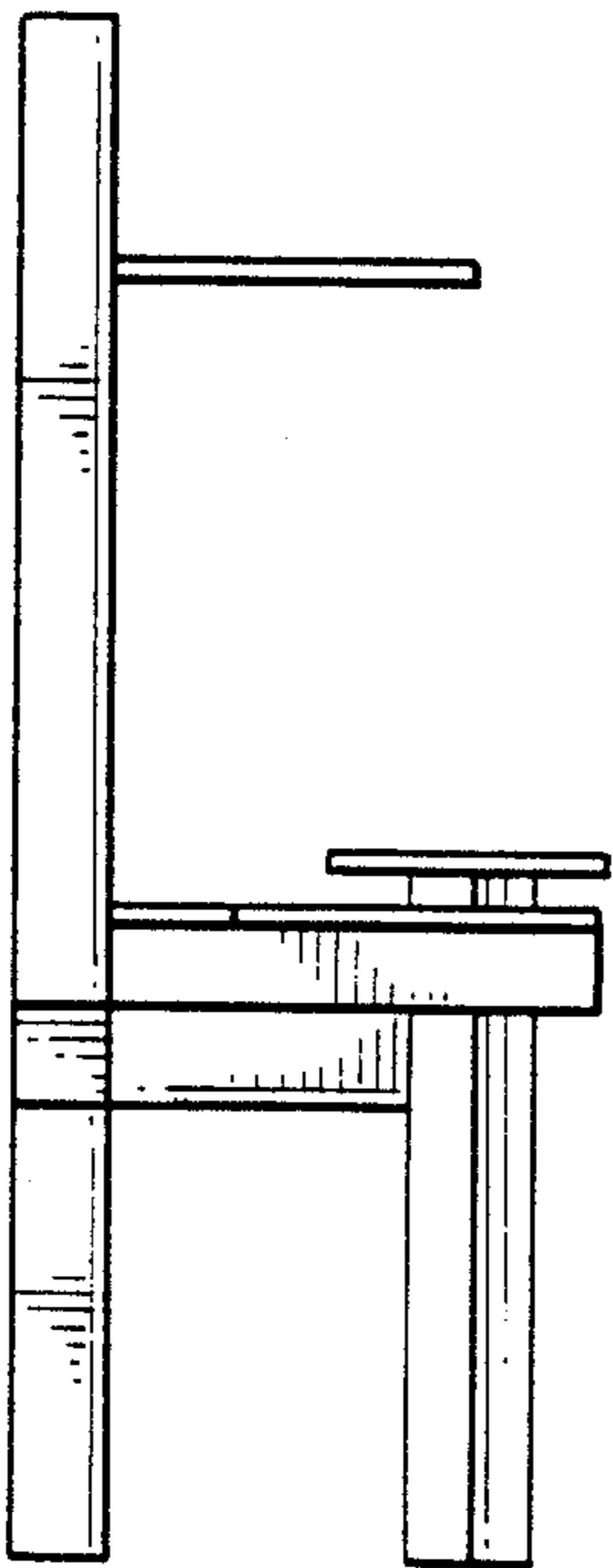


FIG. 6.

