

[54] CHAIR

D. 250,153 11/1978 Alpert D6/379

[75] Inventor: Robert De Fuccio, Spinnerstown, Pa.

OTHER PUBLICATIONS

[73] Assignee: Simmons Universal Corporation, New York, N.Y.

Interiors, April 1974, p. 87, Chair top center. Progressive Architecture, Jan. 1980, p. 75, Chair by Madison Furn. Co.

[*] Notice: The portion of the term of this patent subsequent to Jul. 16, 1999 has been disclaimed.

Primary Examiner—Bruce W. Dunkins
Attorney, Agent, or Firm—A. Thomas Kammer

[**] Term: 14 Years

[57] CLAIM

[21] Appl. No.: 476,085

The ornamental design for a chair, as shown and described.

[22] Filed: Mar. 17, 1983

[52] U.S. Cl. D6/334; D6/379

[58] Field of Search D6/334, 367, 369, 370, D6/375, 376, 379, 380, 381

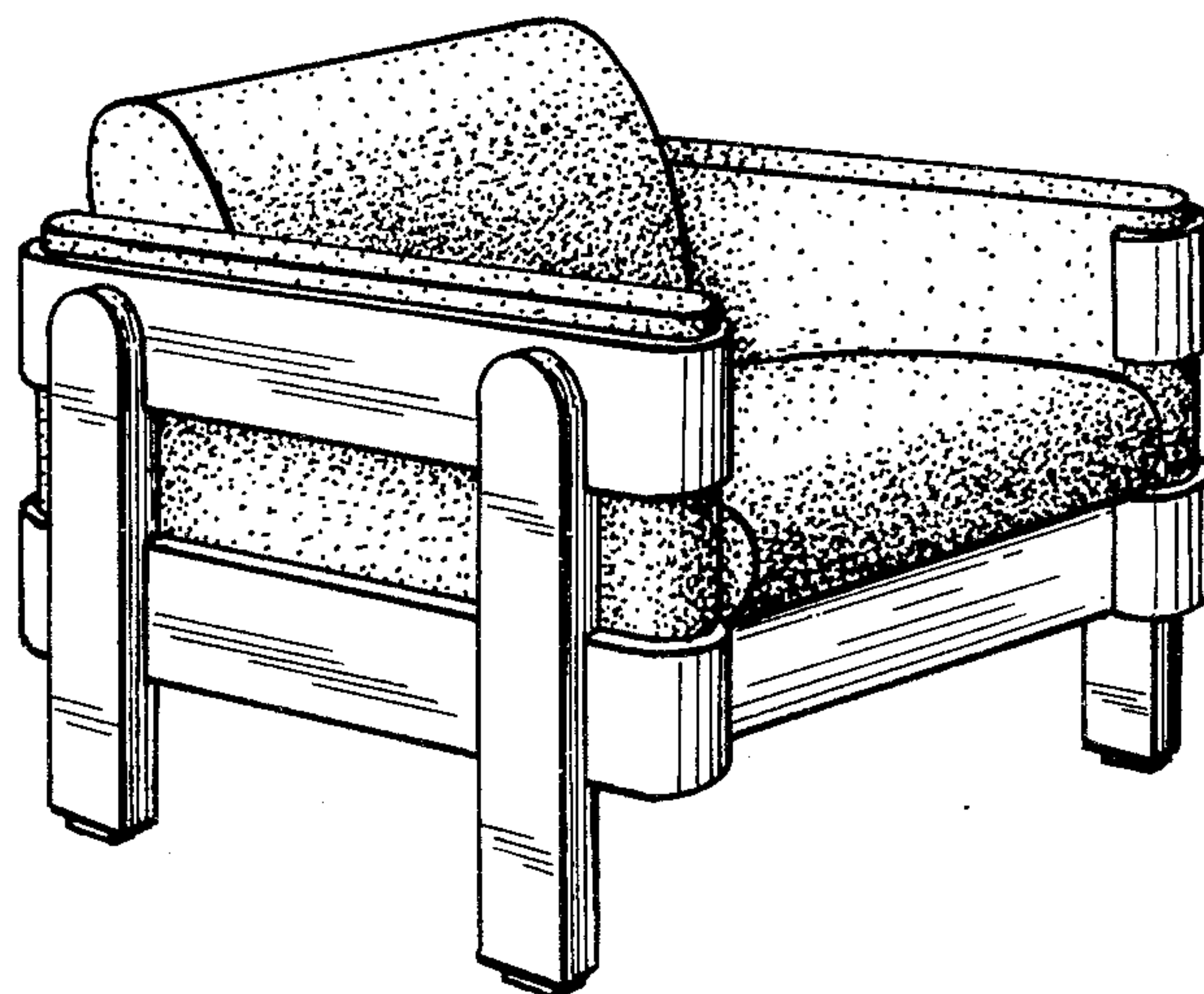
DESCRIPTION

[56] References Cited

U.S. PATENT DOCUMENTS

- D. 211,171 5/1968 Blier D6/379
- D. 222,051 9/1971 Shannon D6/370 X
- D. 242,886 1/1977 Potter D6/379
- D. 248,431 7/1978 Costabile D6/379

FIG. 1 is a front perspective view of a chair according to the invention;
FIG. 2 is a side elevation view thereof;
FIG. 3 is a top view thereof;
FIG. 4 is a rear elevation view thereof; and
FIG. 5 is a front perspective view of an alternative embodiment of the invention similar in all respects to the embodiment of FIGS. 1-4, except having partially round legs as opposed to substantially flat legs.



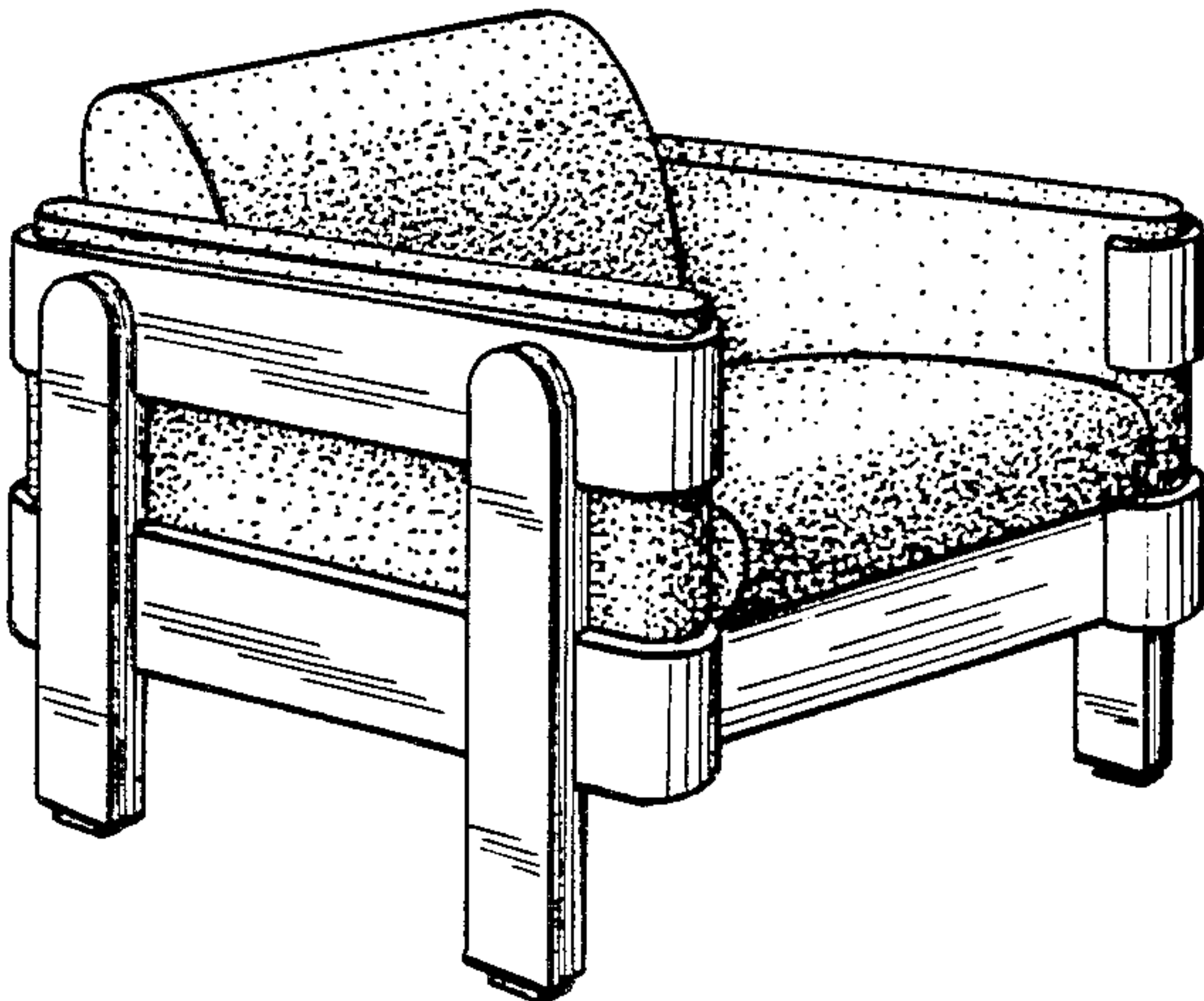


FIG. 1

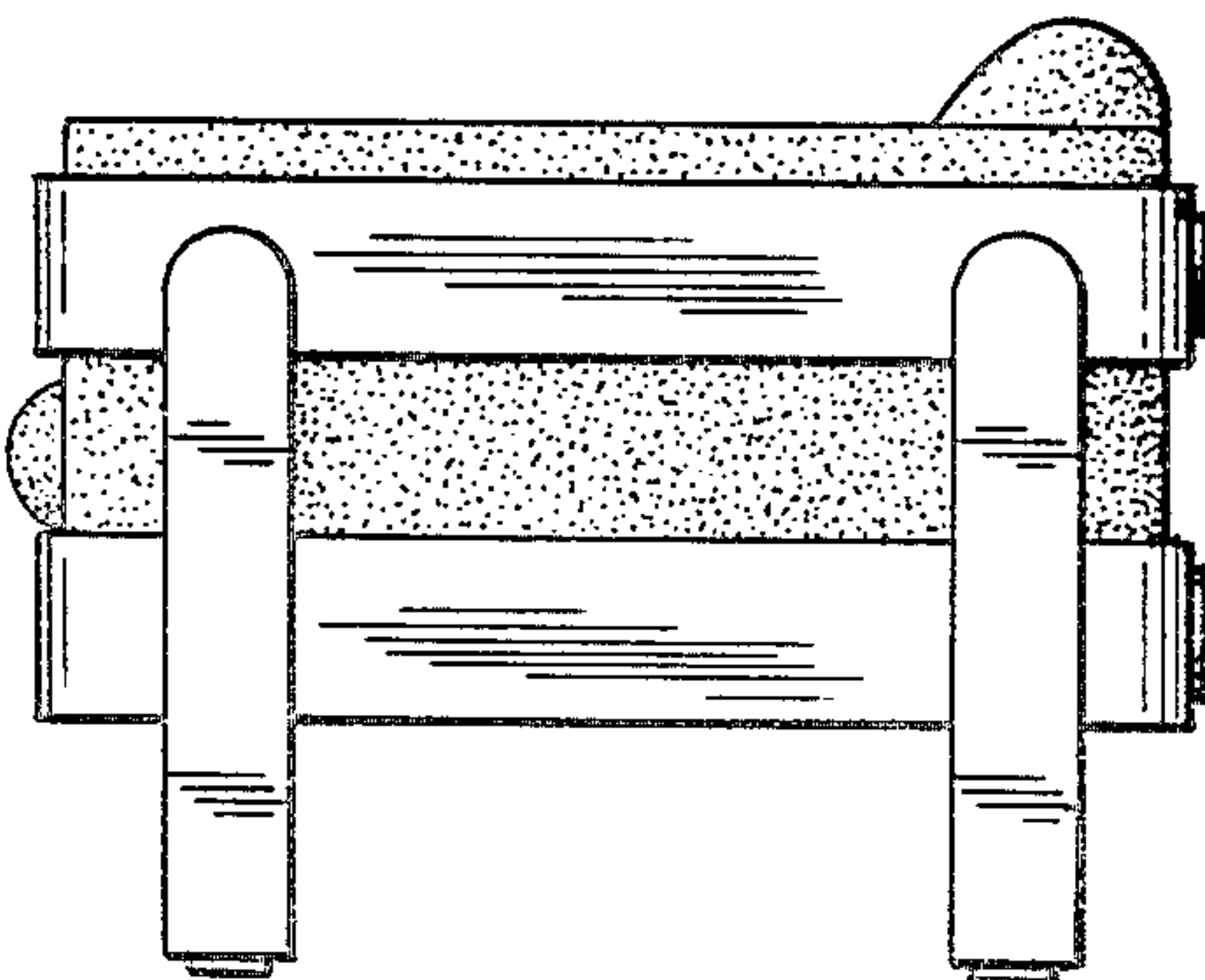


FIG. 2

FIG. 3

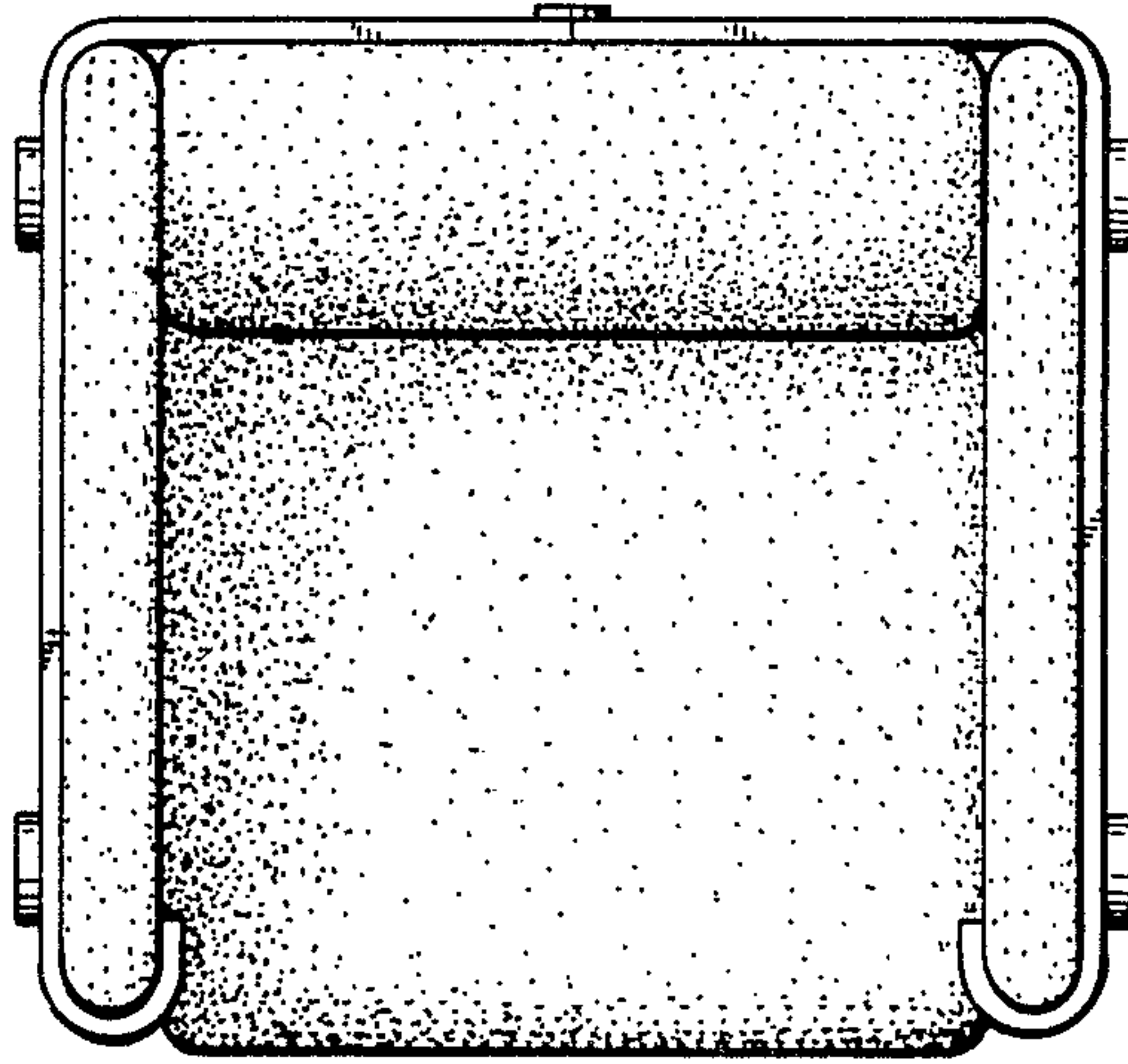


FIG. 4

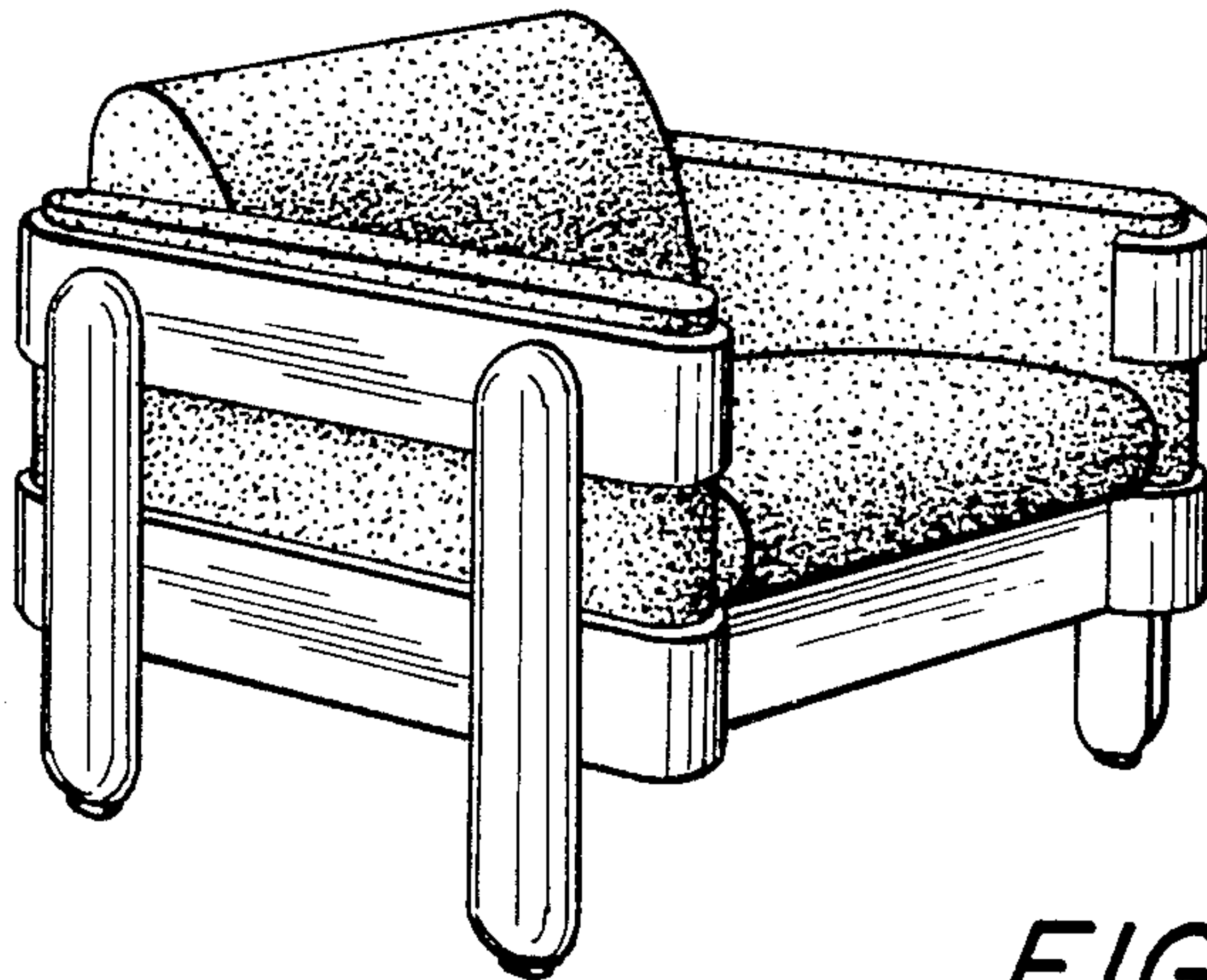
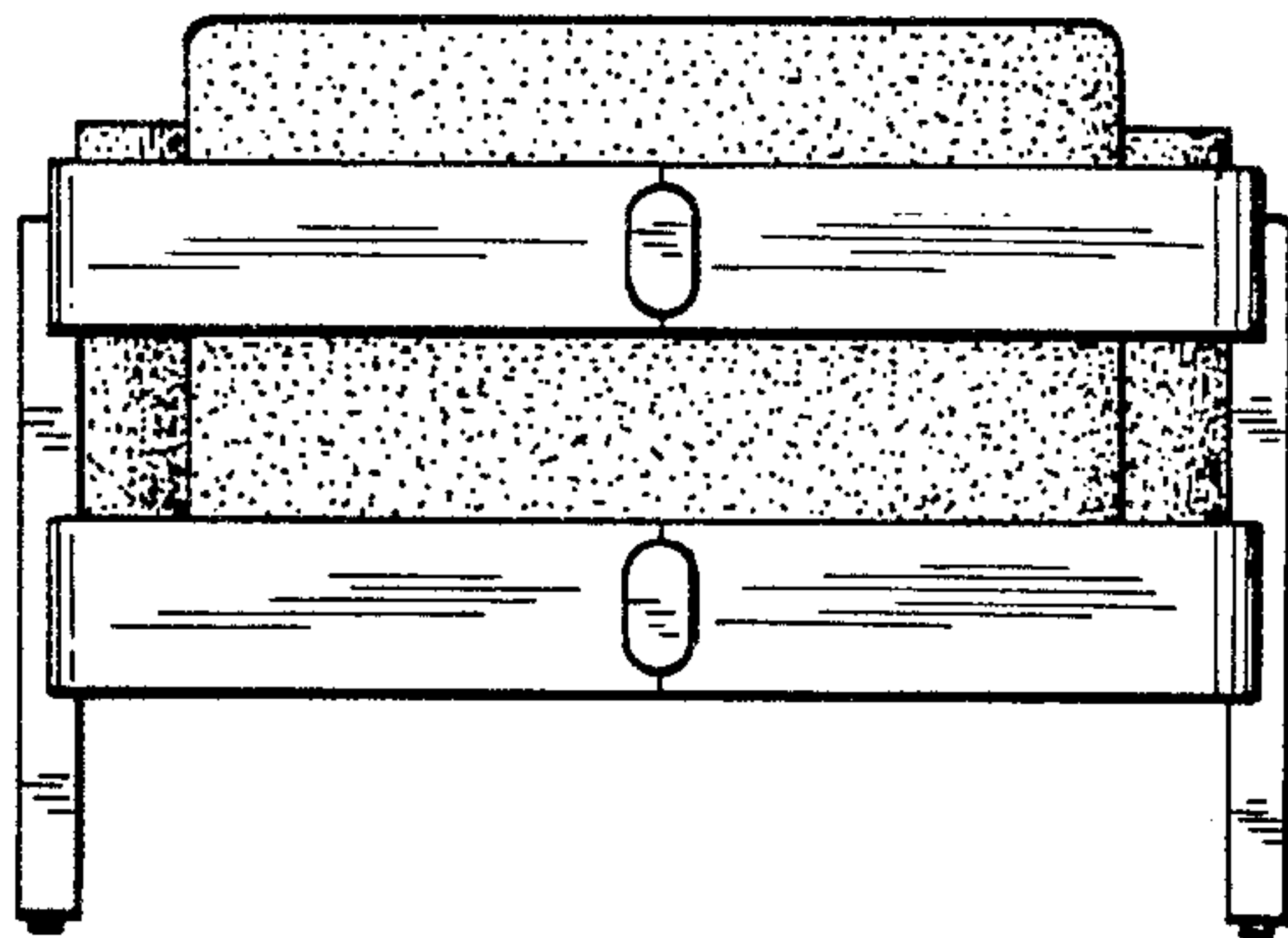


FIG. 5