

[54] **STORAGE CASE FOR VIDEO FILM**

[75] **Inventor: Göran L. Hallengren, Landskrona, Sweden**

[73] **Assignee: Görhalls Försäljnings AB, Landskrona, Sweden**

[**] **Term: 14 Years**

[21] **Appl. No.: 515,476**

[22] **Filed: Jul. 20, 1983**

[52] **U.S. Cl. D3/35; D6/407**

[58] **Field of Search D3/30.1, 33, 35, 74; 206/387; 312/10-12, 15; 211/40, 41, 42**

[56] **References Cited**

U.S. PATENT DOCUMENTS

D. 239,353 3/1976 Rifaat D6/407
D. 247,645 3/1978 Woodhall D3/35
D. 254,282 2/1980 Aprahamian D3/35
D. 260,197 8/1981 Long et al. D3/35
D. 269,825 7/1983 Shirako et al. D3/35

Primary Examiner—George P. Word
Attorney, Agent, or Firm—Trexler, Bushnell & Wolters, Ltd.

[57] **CLAIM**

The ornamental design for a storage case for video film, as shown and described.

DESCRIPTION

FIG. 1 is a top front perspective view of a storage case for video film showing my new design; and FIG. 2 is an inverted bottom rear perspective view thereof.

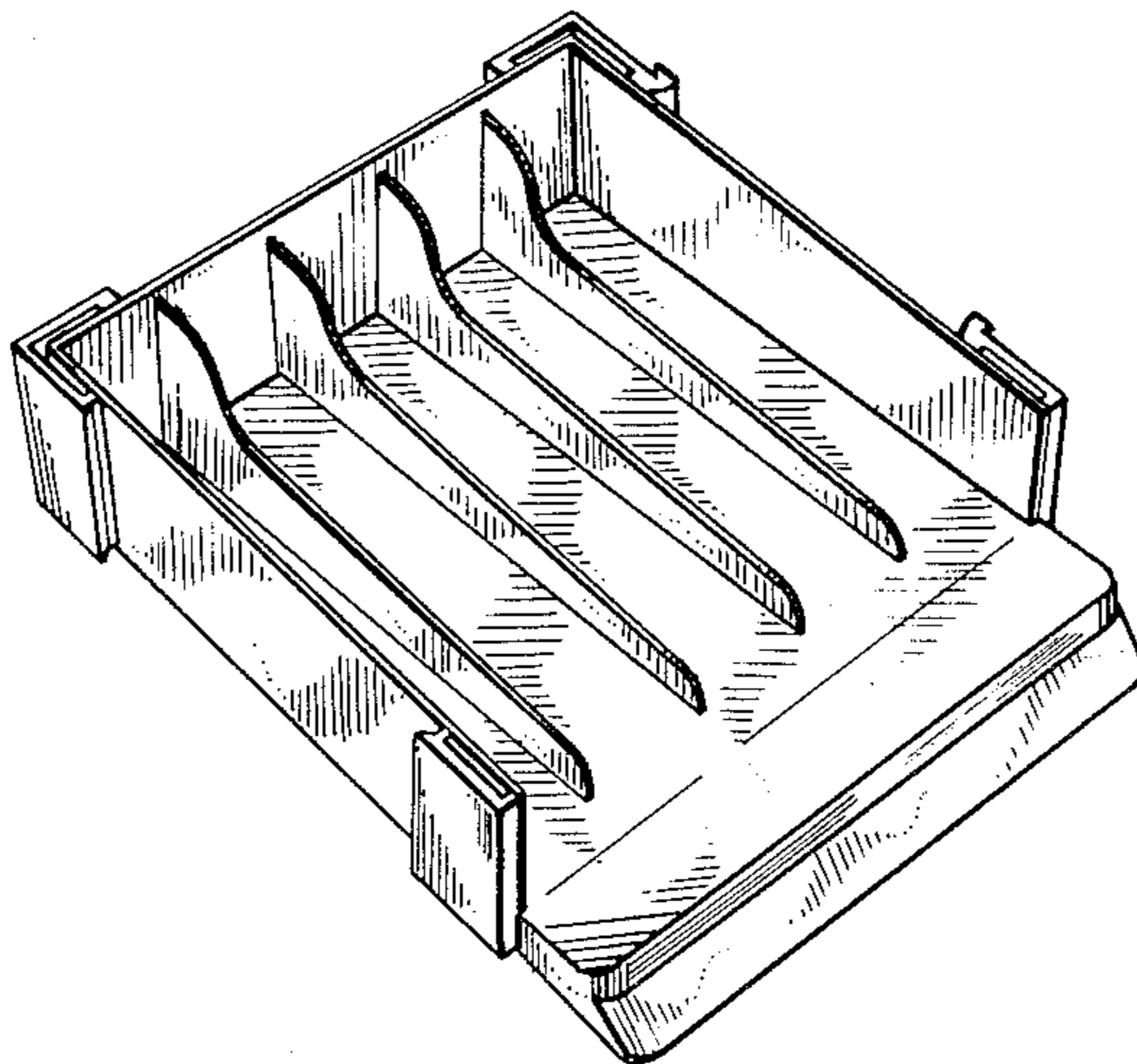


FIG. 1

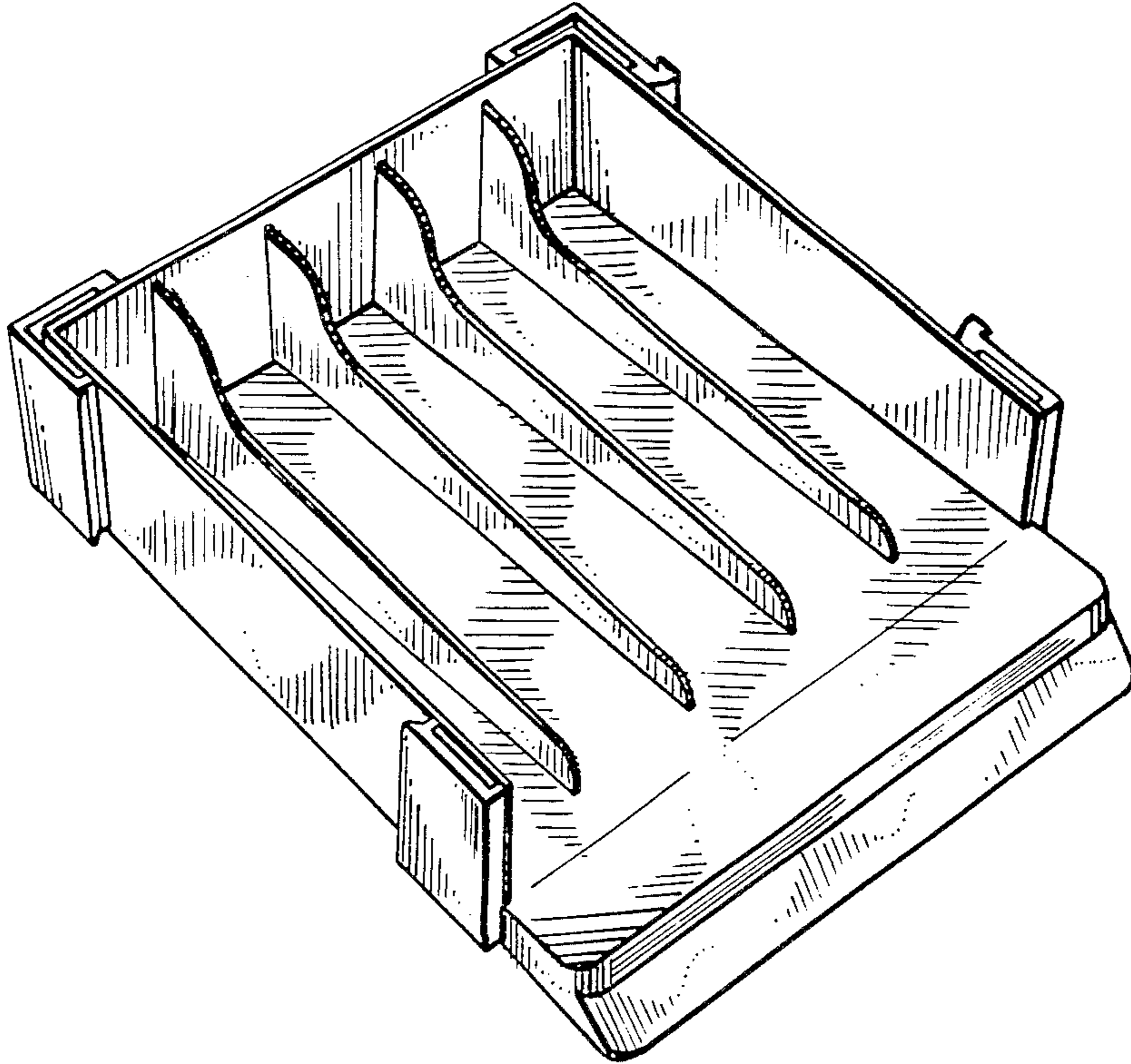


FIG. 2

