

[54] CART FOR A PRINTER

D. 273,337 4/1984 Semerjian et al. D34/21
3,834,724 9/1974 Trubiano D34/21

[75] Inventor: William I. Stephens, East Greenville, Pa.

OTHER PUBLICATIONS

[73] Assignee: Knoll International, Inc., New York, N.Y.

Mart, Apr. 1959, p. 46; Portable Air Conditioner Cart bottom right on page.

[**] Term: 14 Years

The Moore Computer Supplies Catalog, Spring-Summer 1982; p. 32; "Data Waiter" Cart #A86025, bottom left on page.

[21] Appl. No.: 491,557

Primary Examiner—Carmen H. Vales
Attorney, Agent, or Firm—Robert Scobey

[22] Filed: May 4, 1983

[52] U.S. Cl. D34/21; D6/464

[57] CLAIM

[58] Field of Search D34/17, 21, 22; D6/477, D6/479, 431, 462, 464, 465; 280/47.35, 79.1 A, 79.2, 79.3

The ornamental design for a cart for a printer, as shown and described.

[56] References Cited

DESCRIPTION

U.S. PATENT DOCUMENTS

FIG. 1 is a bottom perspective view of a cart for a printer showing my new design;

D. 192,996 6/1962 Paruolo D34/17
D. 209,680 12/1967 Bravo et al. D6/431
D. 252,388 7/1979 Fjello-Jensen D34/17

FIG. 2 is a top perspective view thereof;

FIG. 3 is a right side perspective view thereof; and

FIG. 4 is a rear perspective view thereof.

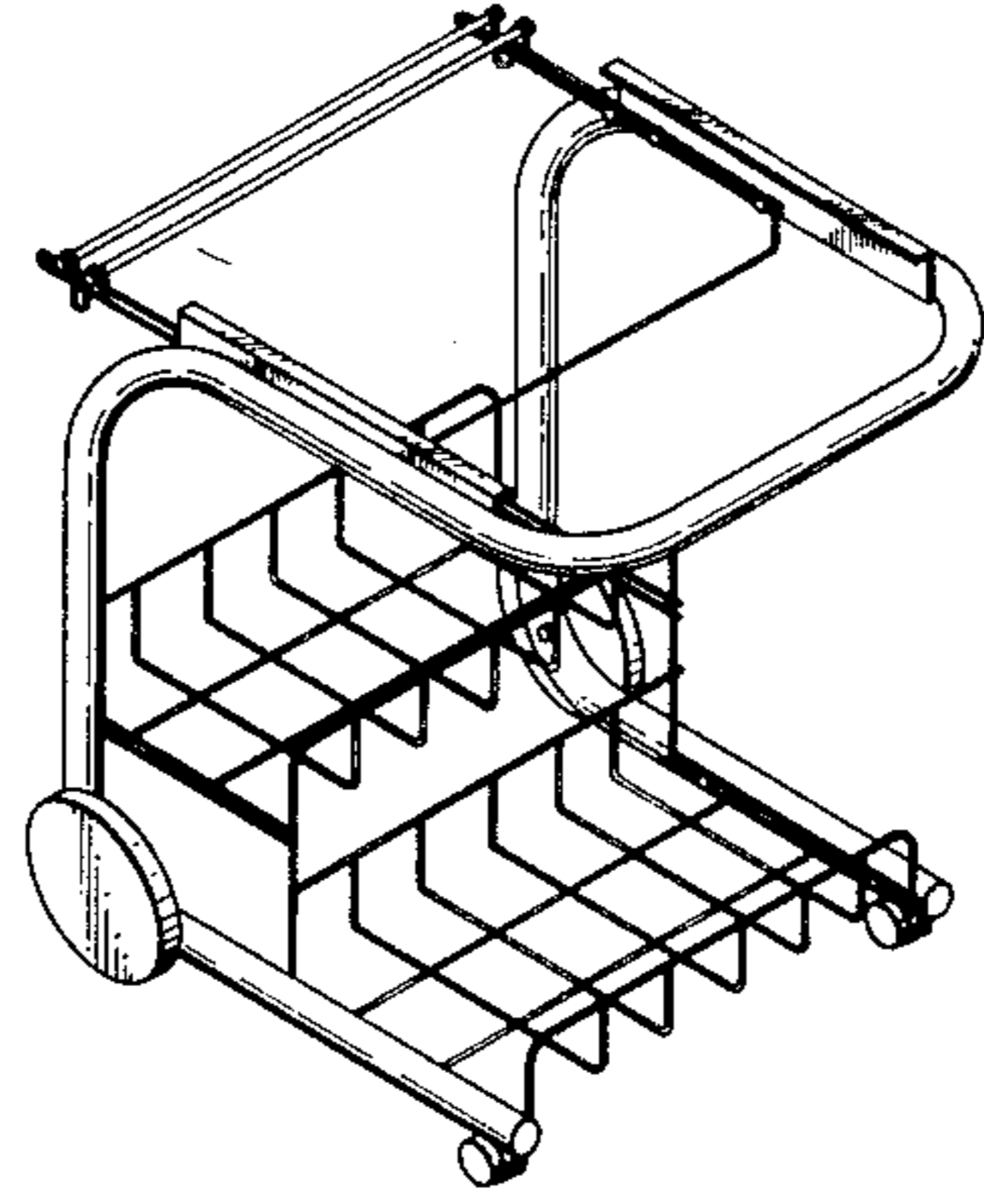
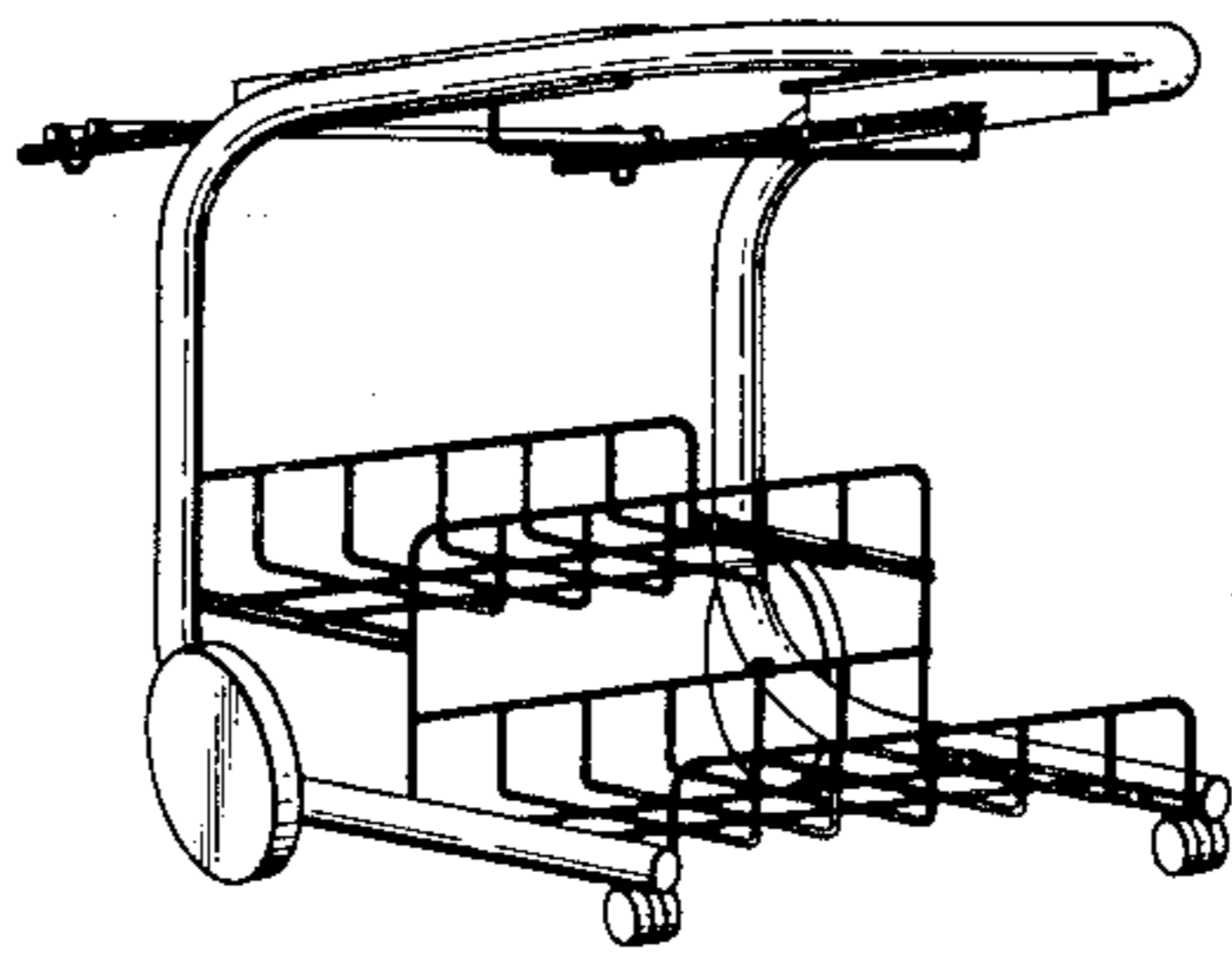


FIG. 1.

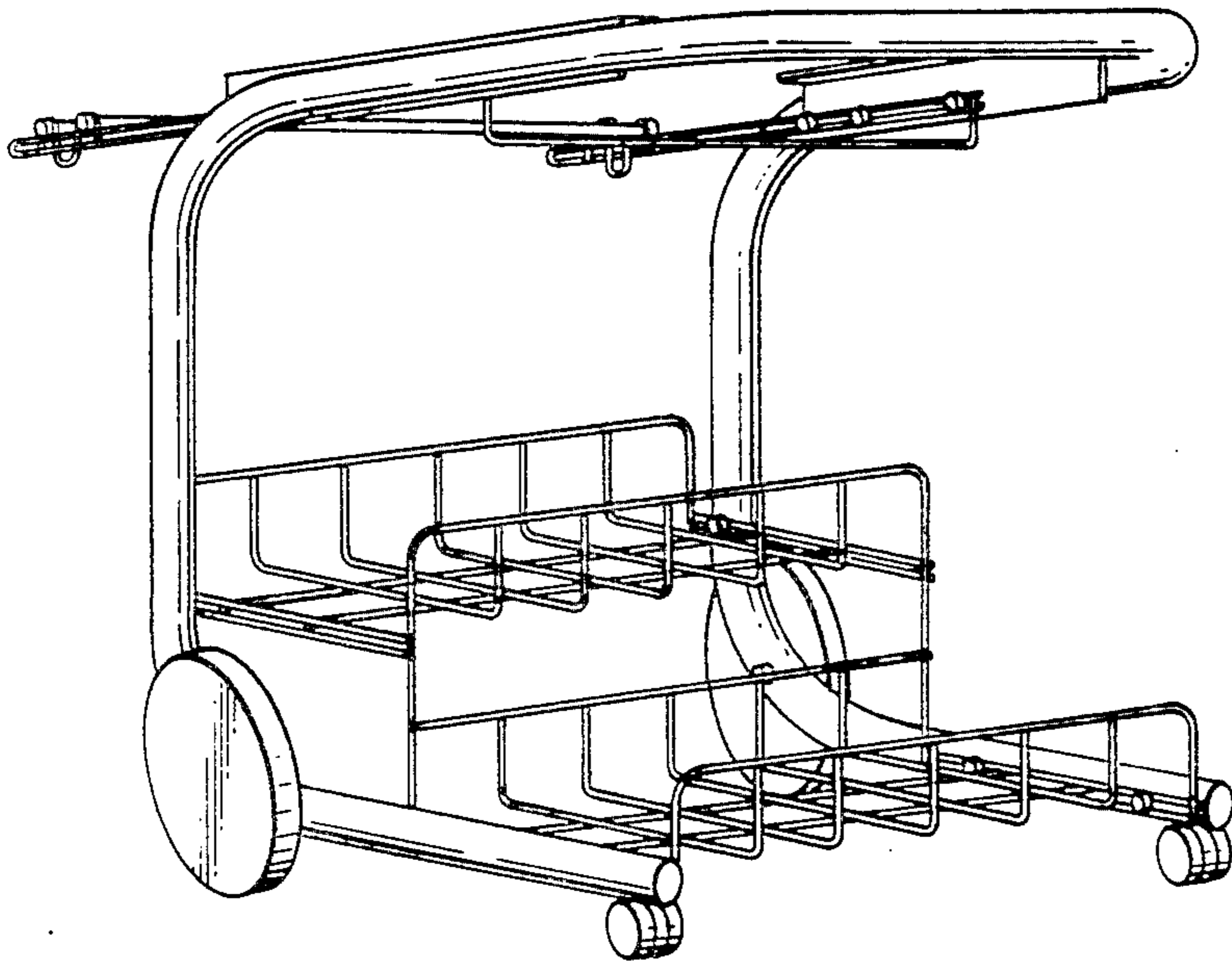


FIG. 2.

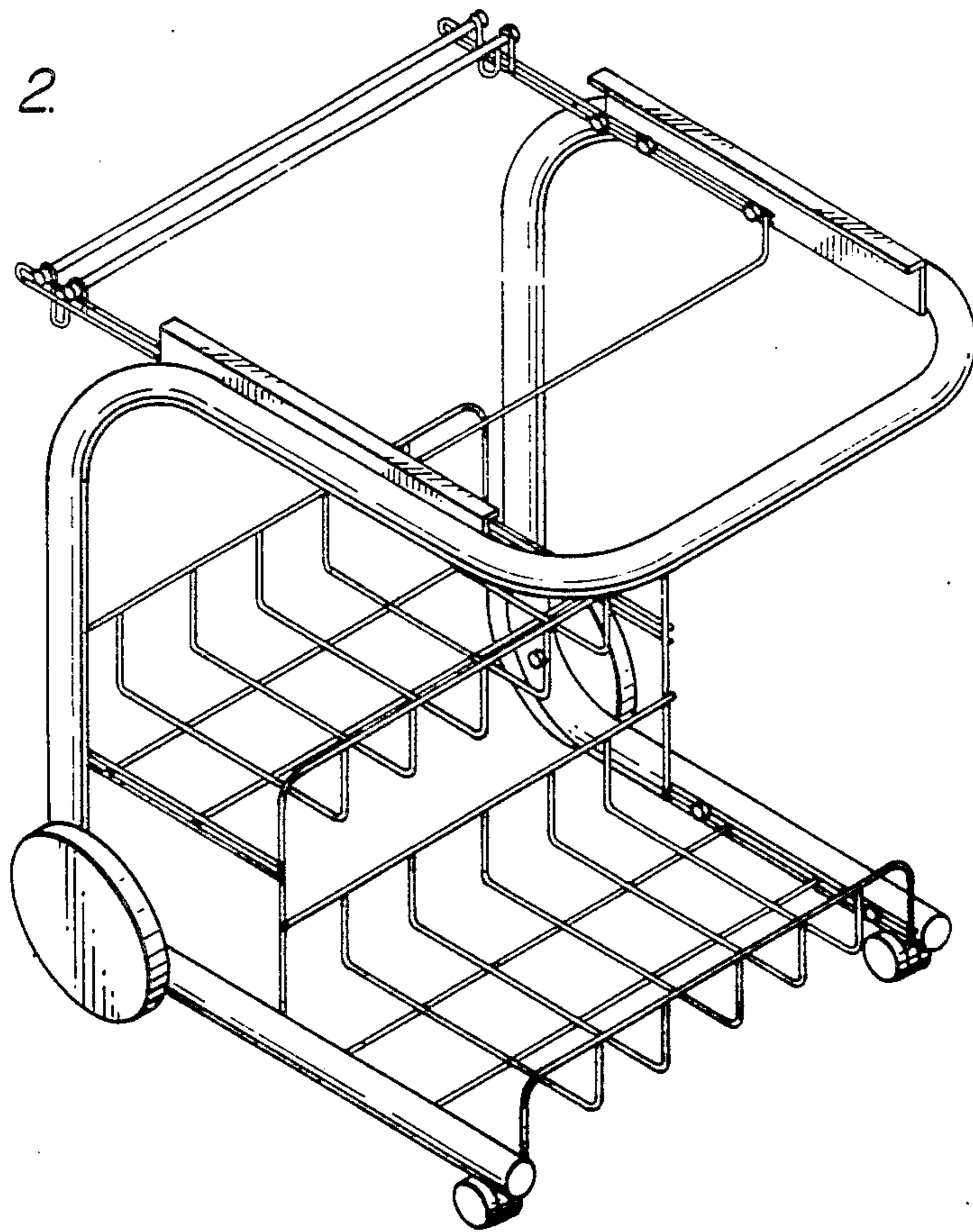


FIG. 3.

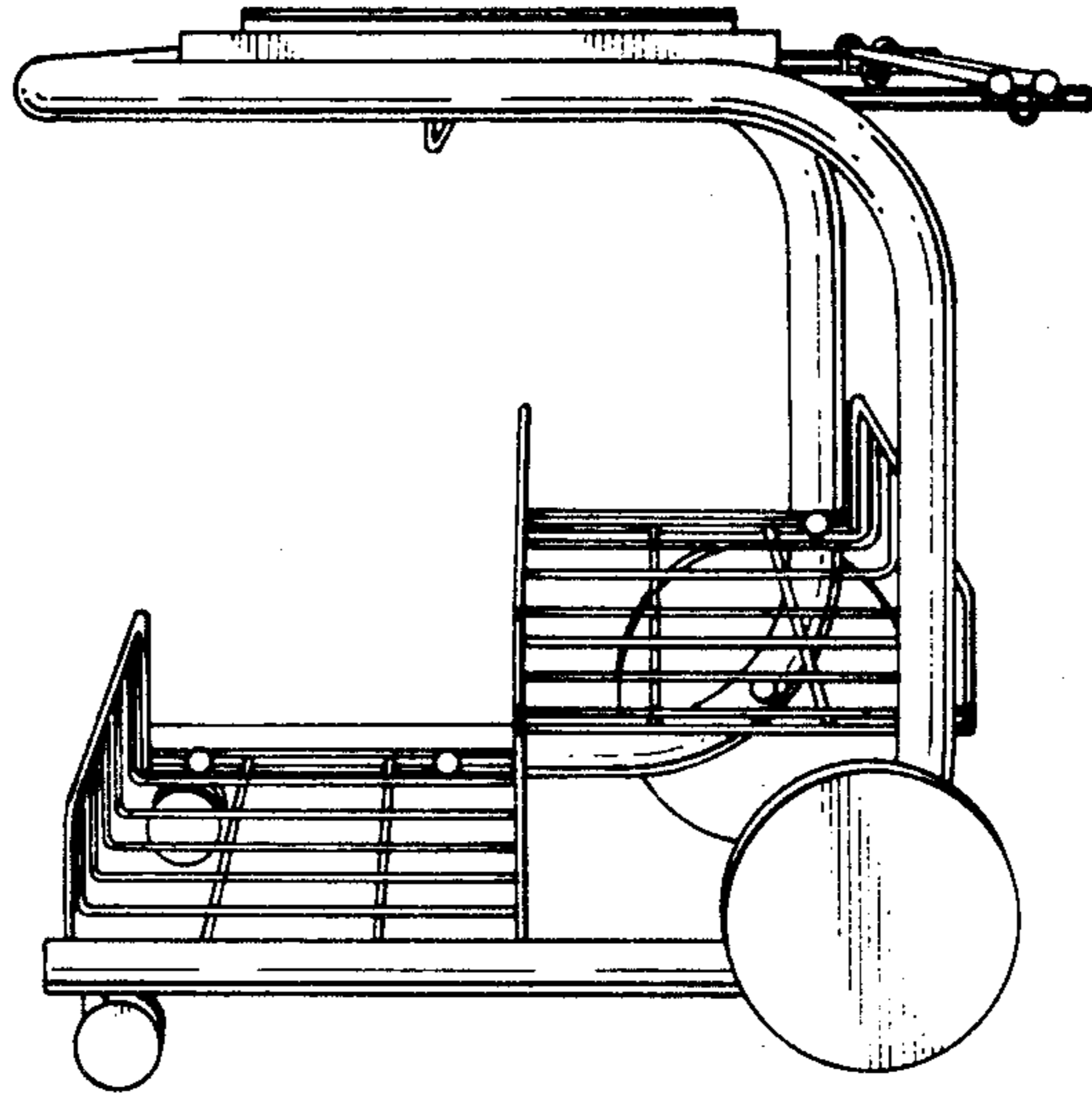


FIG. 4.

