

[54] **RECHARGEABLE TORCH**

[76] Inventor: **Jackey K. Lee**, 1st & 3rd Floors,
LMK Development Estate, 10-16
Kwai Ting Rd., Kwai Chung, New
Territories, Hong Kong

[**] Term: **14 Years**

[21] Appl. No.: **550,941**

[22] Filed: **Nov. 14, 1983**

[30] **Foreign Application Priority Data**

May 17, 1983 [GB] United Kingdom 1013090
[52] U.S. Cl. **D26/46**
[58] Field of Search D26/37-50;
362/157, 158, 183-208; 320/2

[56] **References Cited**

U.S. PATENT DOCUMENTS

D. 205,679 9/1966 Moore et al. D26/46
D. 272,476 1/1984 McCloskey et al. D26/46
3,517,185 6/1970 Moor et al. 362/183

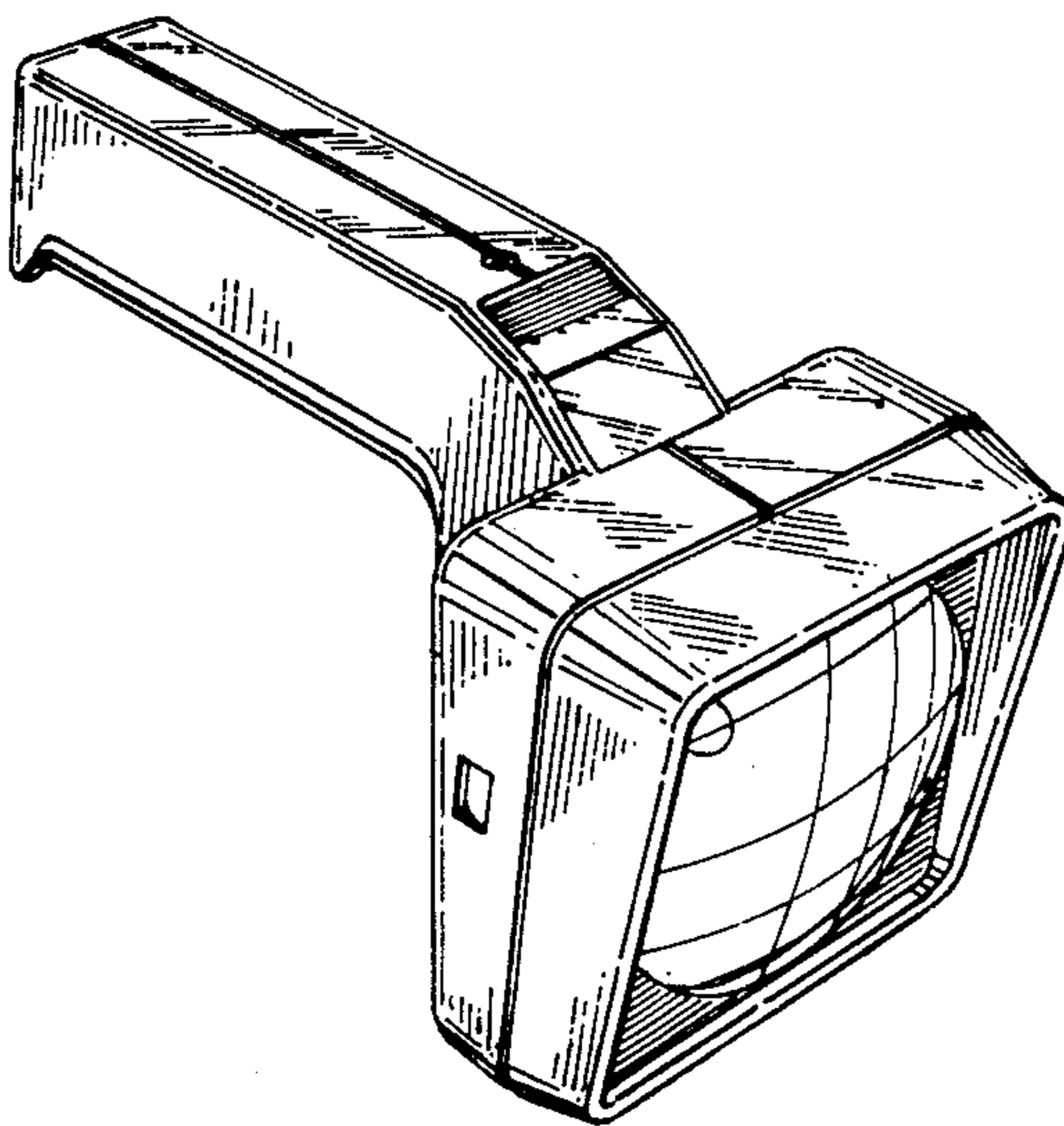
Primary Examiner—Susan J. Lucas

[57] **CLAIM**

The ornamental design for a rechargeable torch, as shown and described.

DESCRIPTION

FIG. 1 is a front, top and side perspective view of a rechargeable torch showing my new design;
FIG. 2 is an opposite side elevational view thereof;
FIG. 3 is a rear elevational view thereof;
FIG. 4 is a bottom plan view thereof;
FIG. 5 is a rear perspective view thereof, a stand being shown in broken lines for purposes of disclosure.



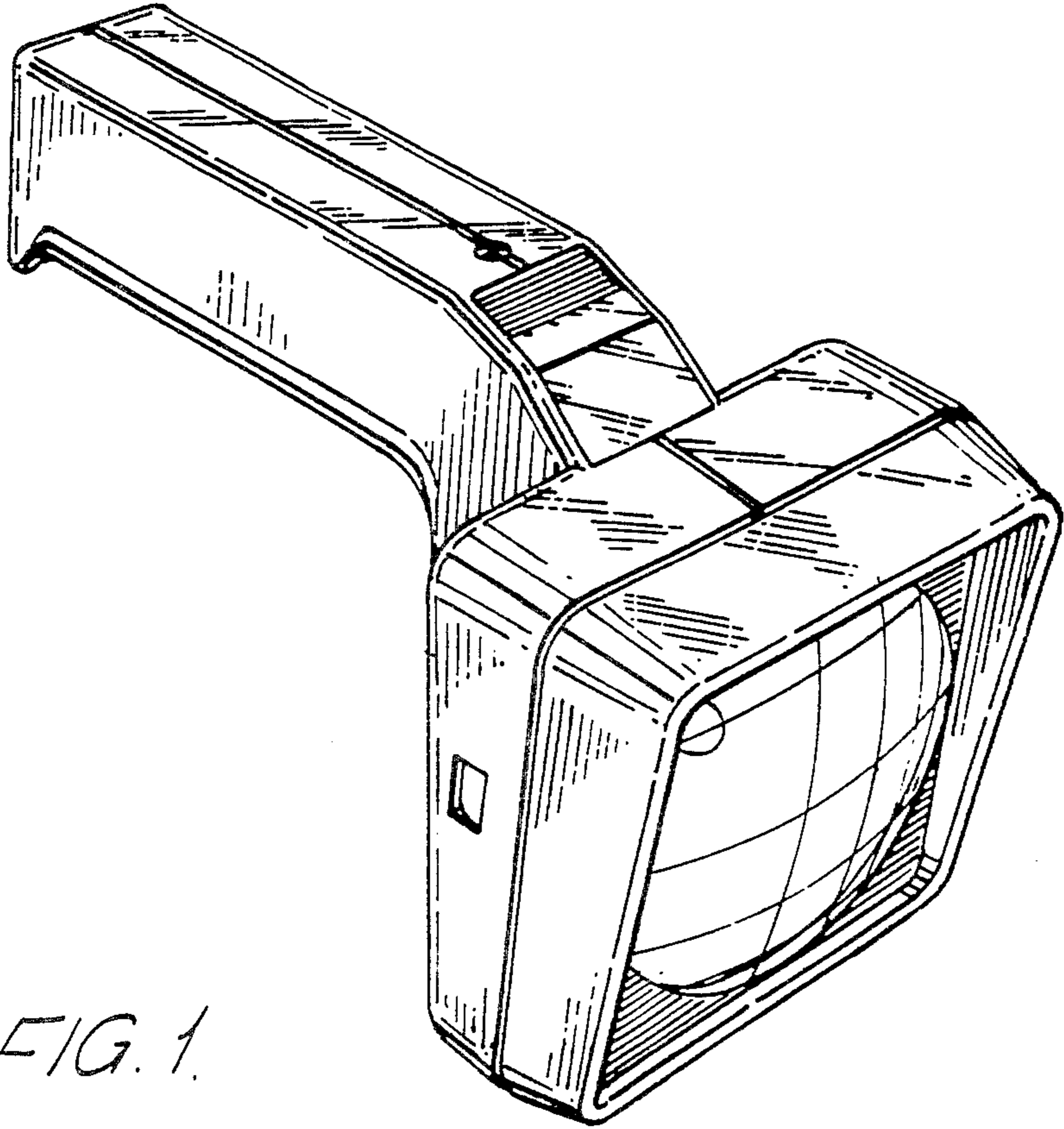


FIG. 1.

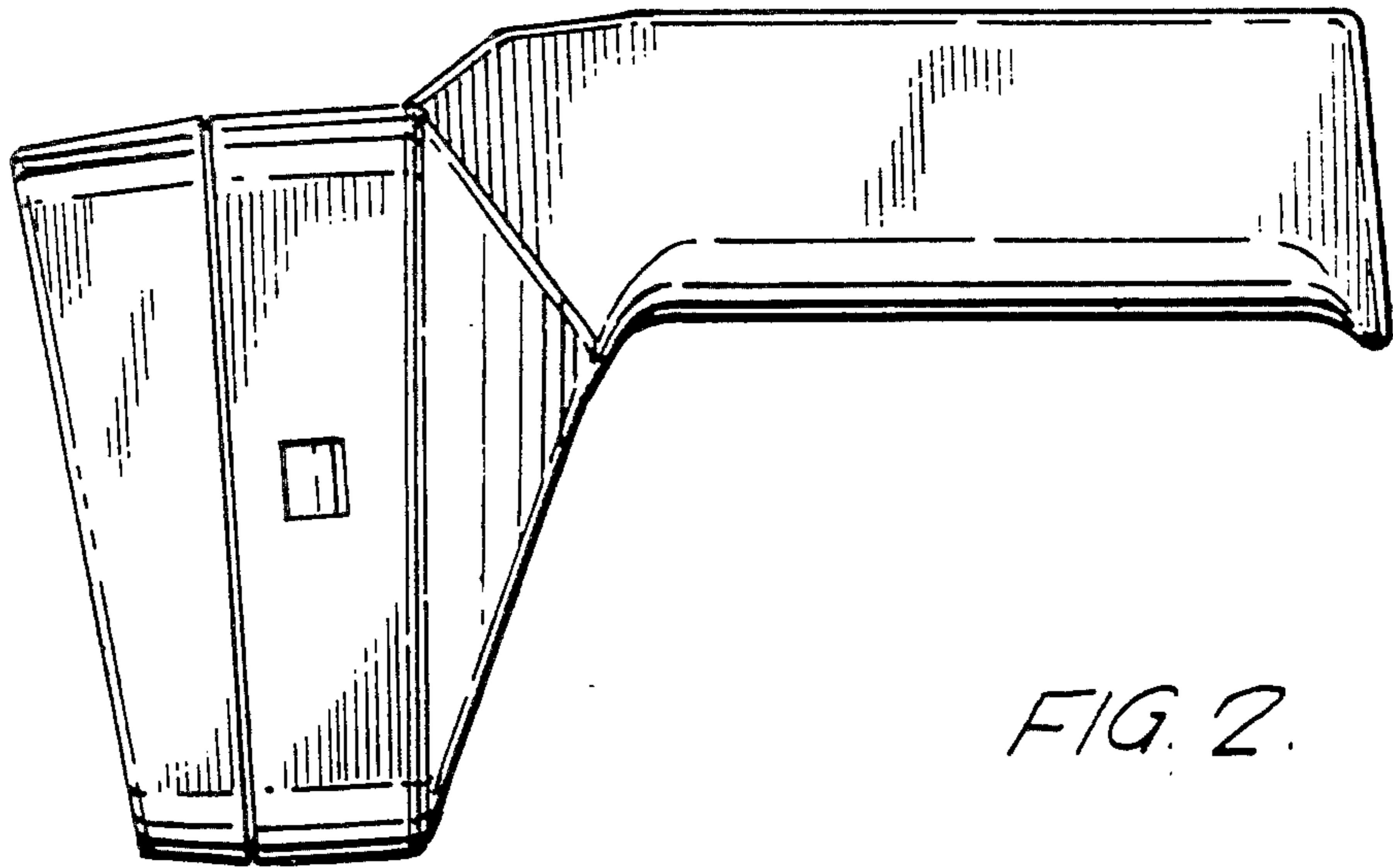


FIG. 2.

FIG. 3.

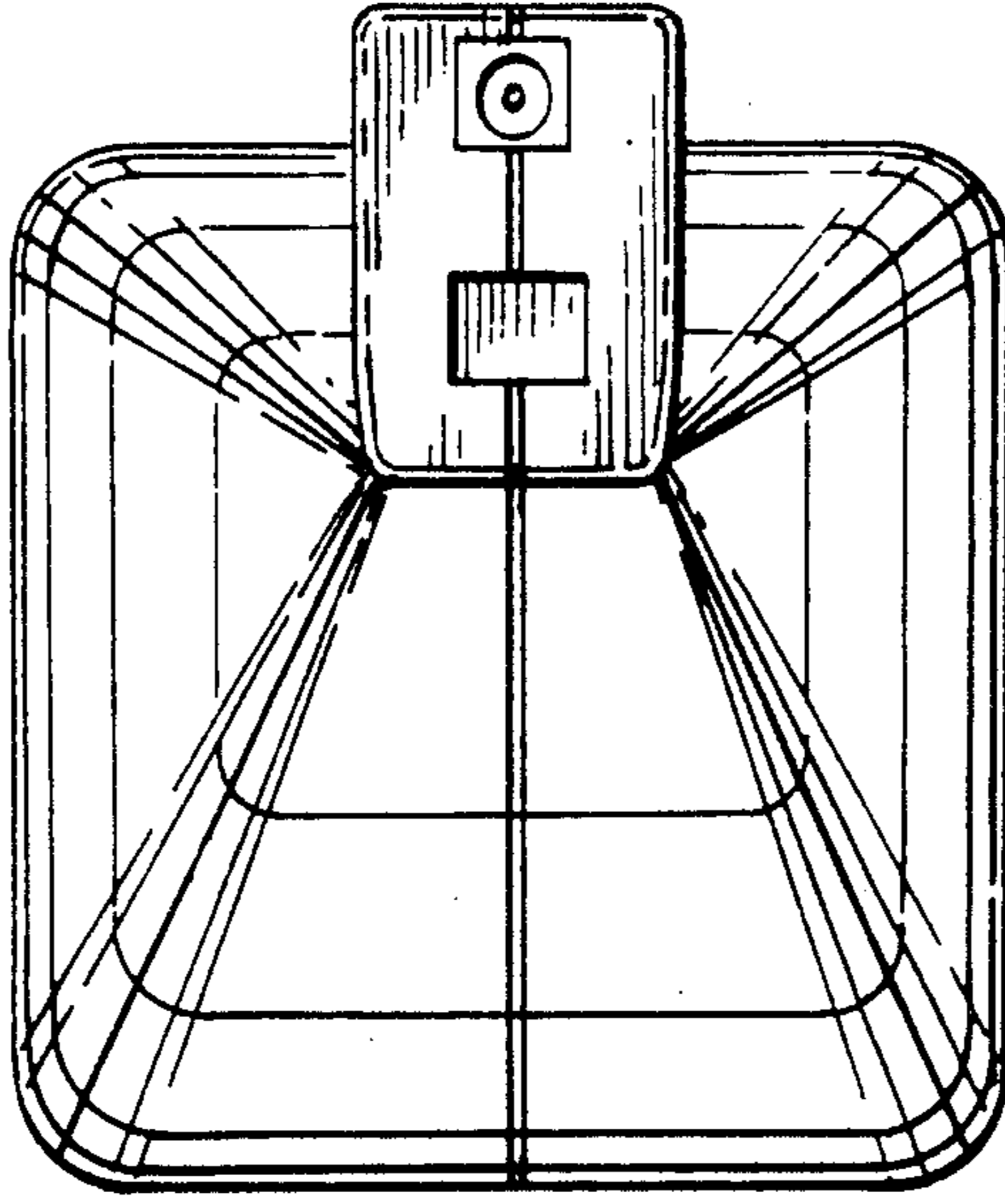


FIG. 4.

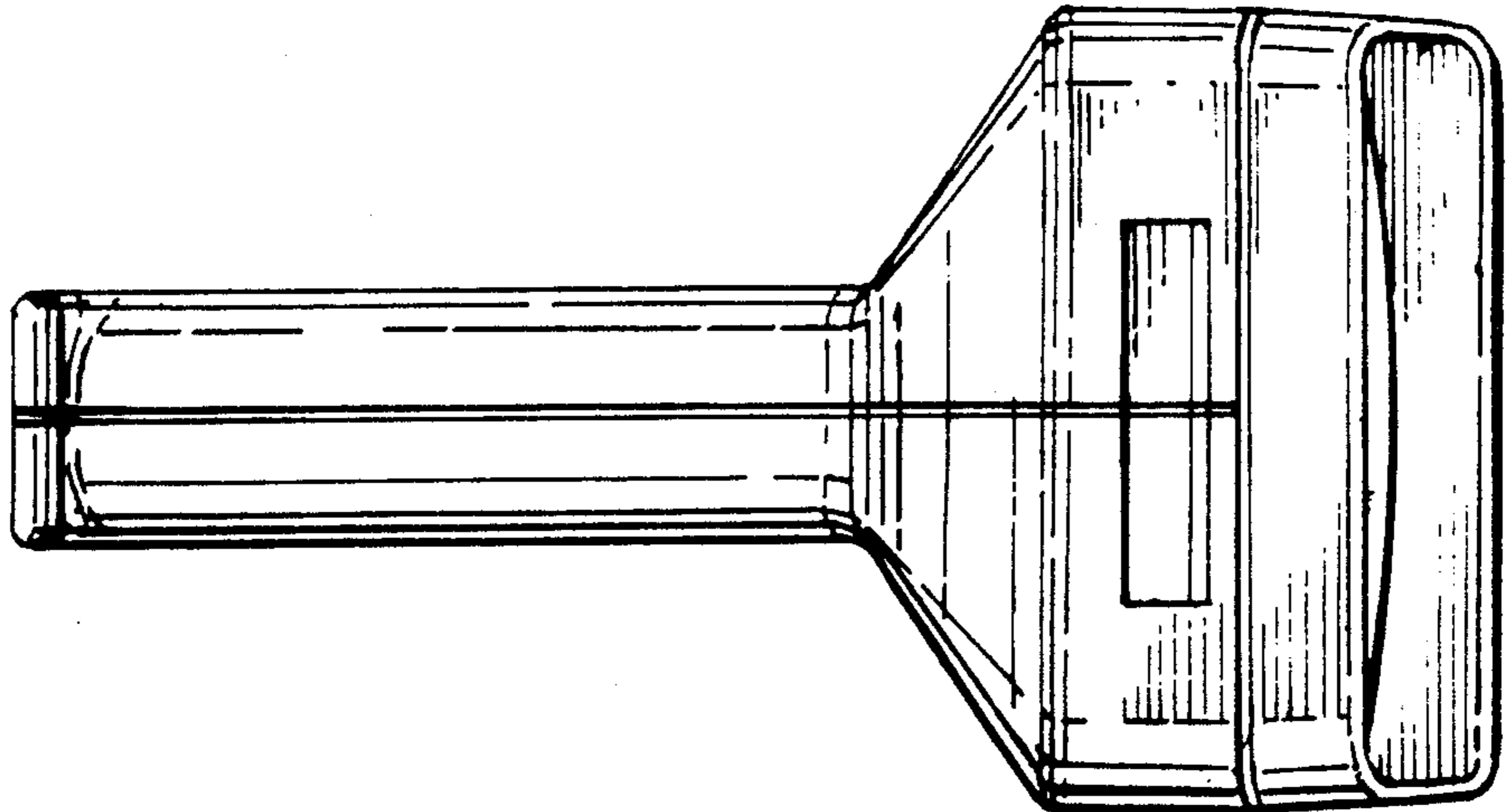


FIG. 5.

