

[54] LABORATORY TUBE RACK

[75] Inventor: David A. Juergens, Winchester, Va.

[73] Assignee: Rubbermaid Commercial Products Inc., Winchester, Va.

[**] Term: 14 Years

[21] Appl. No.: 470,763

[22] Filed: Feb. 28, 1983

[52] U.S. Cl. D24/32

[58] Field of Search D24/32, 31; 422/104; 435/287

[56] References Cited

U.S. PATENT DOCUMENTS

- D. 257,390 10/1980 Hahn et al. D24/32
- D. 265,126 6/1982 Beall D24/32
- 4,407,958 10/1983 DeGraff, Jr. D24/32

OTHER PUBLICATIONS

Product believed to be made by Jac Tray Tube Rack Co. of Minneapolis, Minnesota, probably since 1980.
Product believed to be made by Mallenkrat, Inc. of St.

Louis, Missouri and marketed by American Hospital Supply probably since 1980.
Product believed to be made by Bellart Products of Pequannock, New Jersey, probably since 1973.

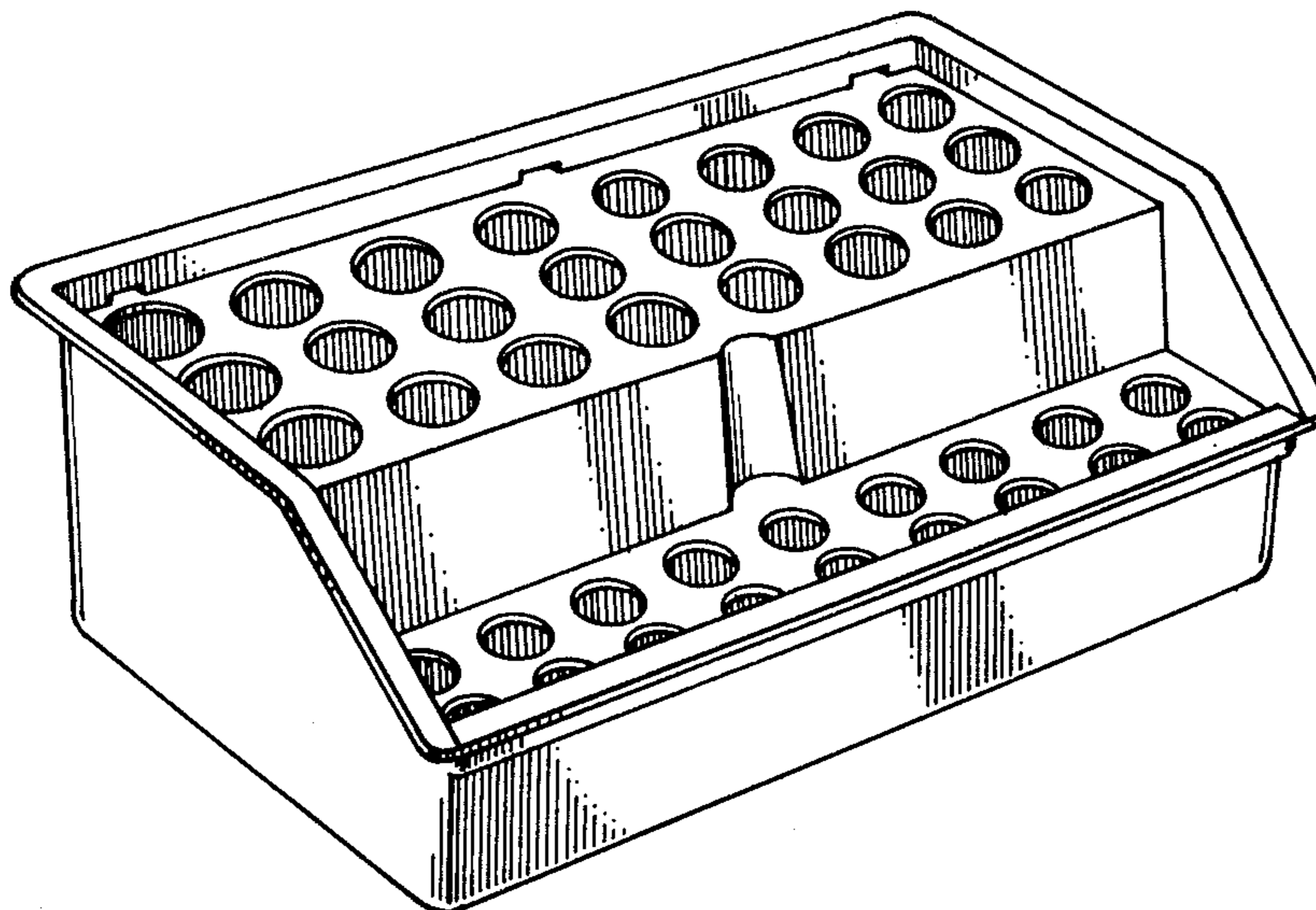
Primary Examiner—A. Hugo Word
Assistant Examiner—Stella M. Reid
Attorney, Agent, or Firm—Renner, Kenner, Greive & Bobak Co.

[57] CLAIM

The ornamental design for a laboratory tube rack, as shown and described.

DESCRIPTION

FIG. 1 is a front perspective view of a laboratory tube rack embodying my new design.
FIG. 2 is an exploded front perspective view of the base and rack.
FIG. 3 is a top plan view of the rack and base assembled.
FIG. 4 is a top plan view of the base with the rack removed.
FIG. 5 is a bottom plan view of the base.
FIG. 6 is a cross-sectional view on line 6—6 of FIG. 3. The end of the base opposite to that shown in FIGS. 1 and 2 is a mirror image thereof.



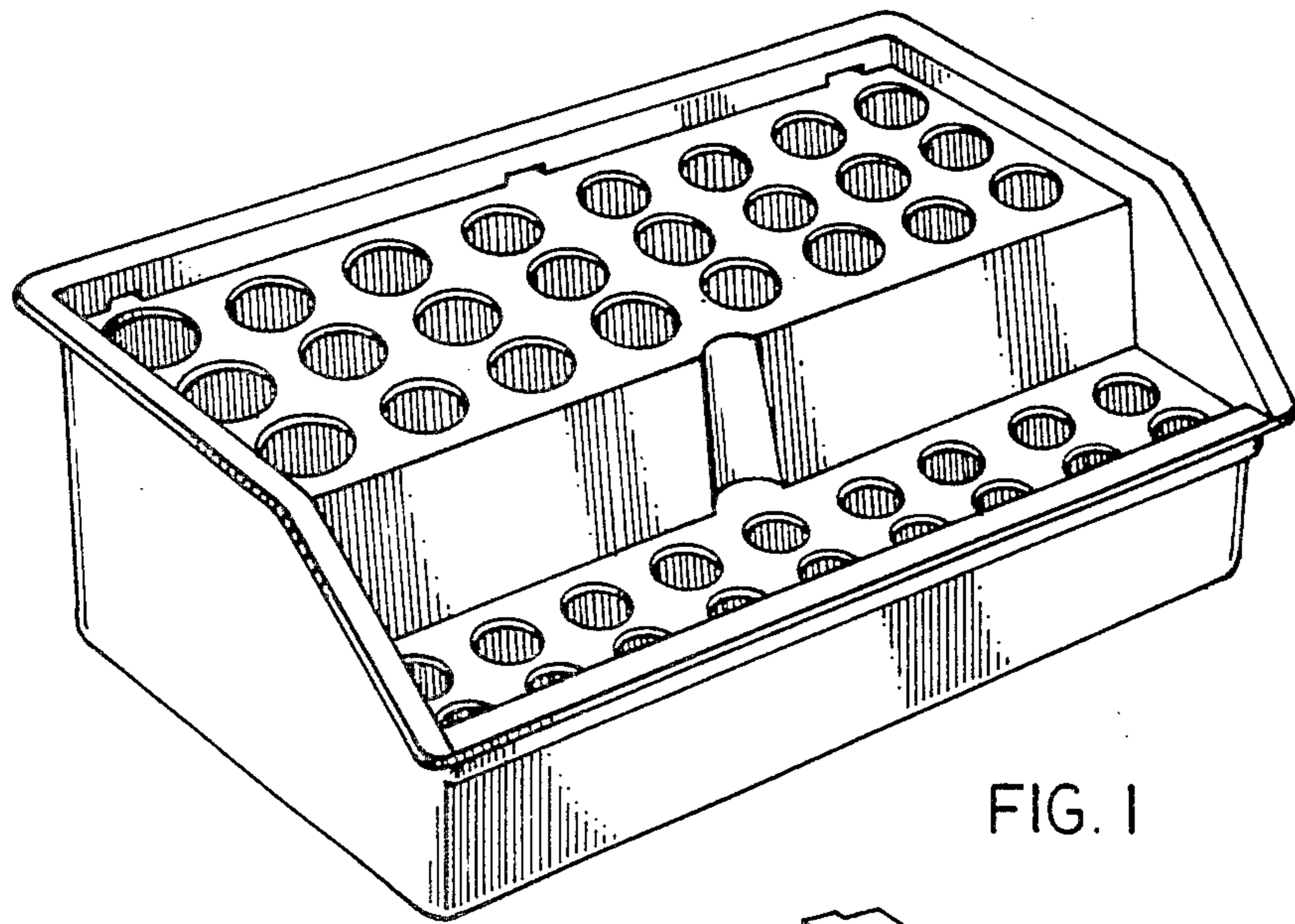


FIG. 1

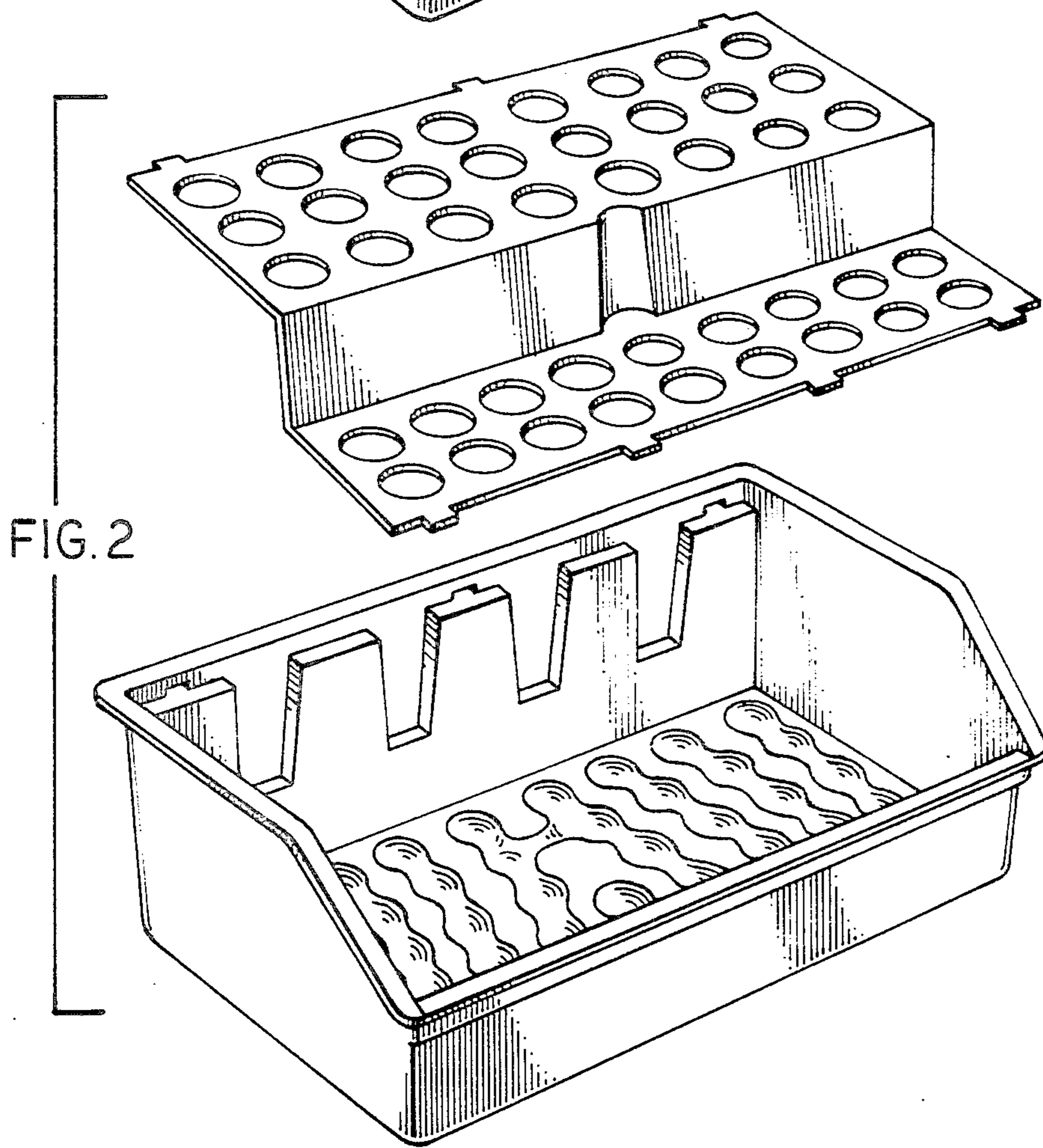


FIG. 2

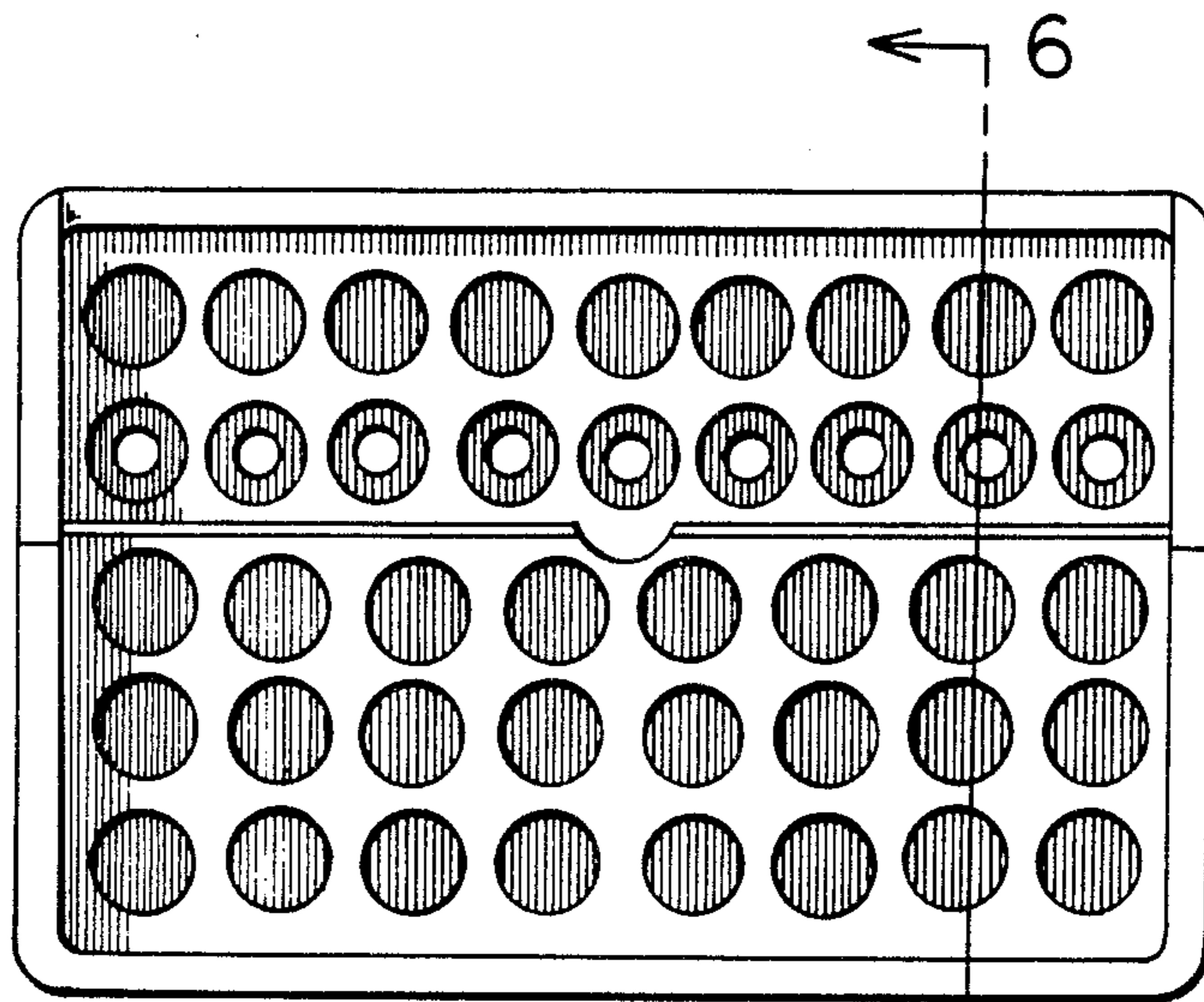


FIG. 3

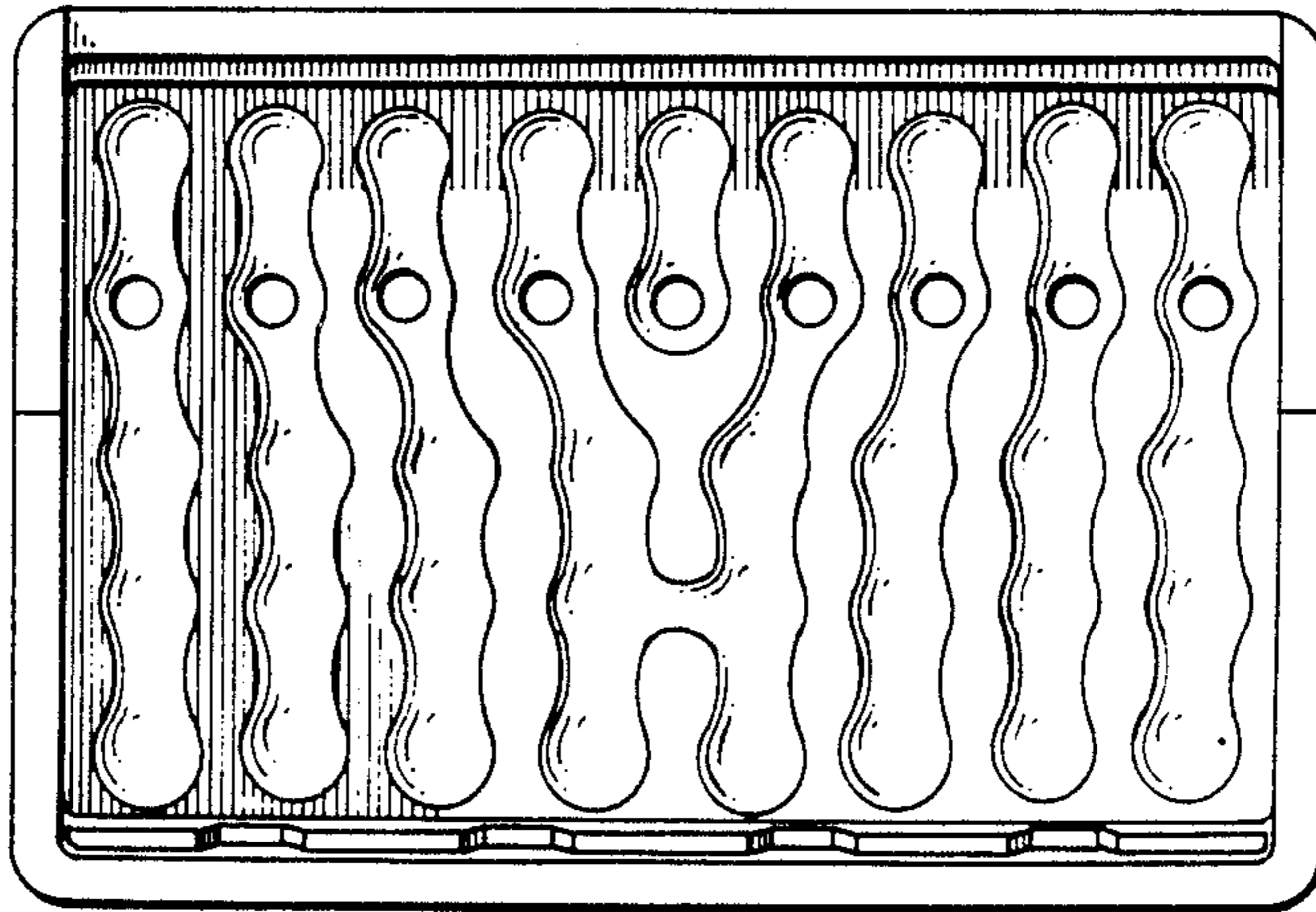


FIG. 4

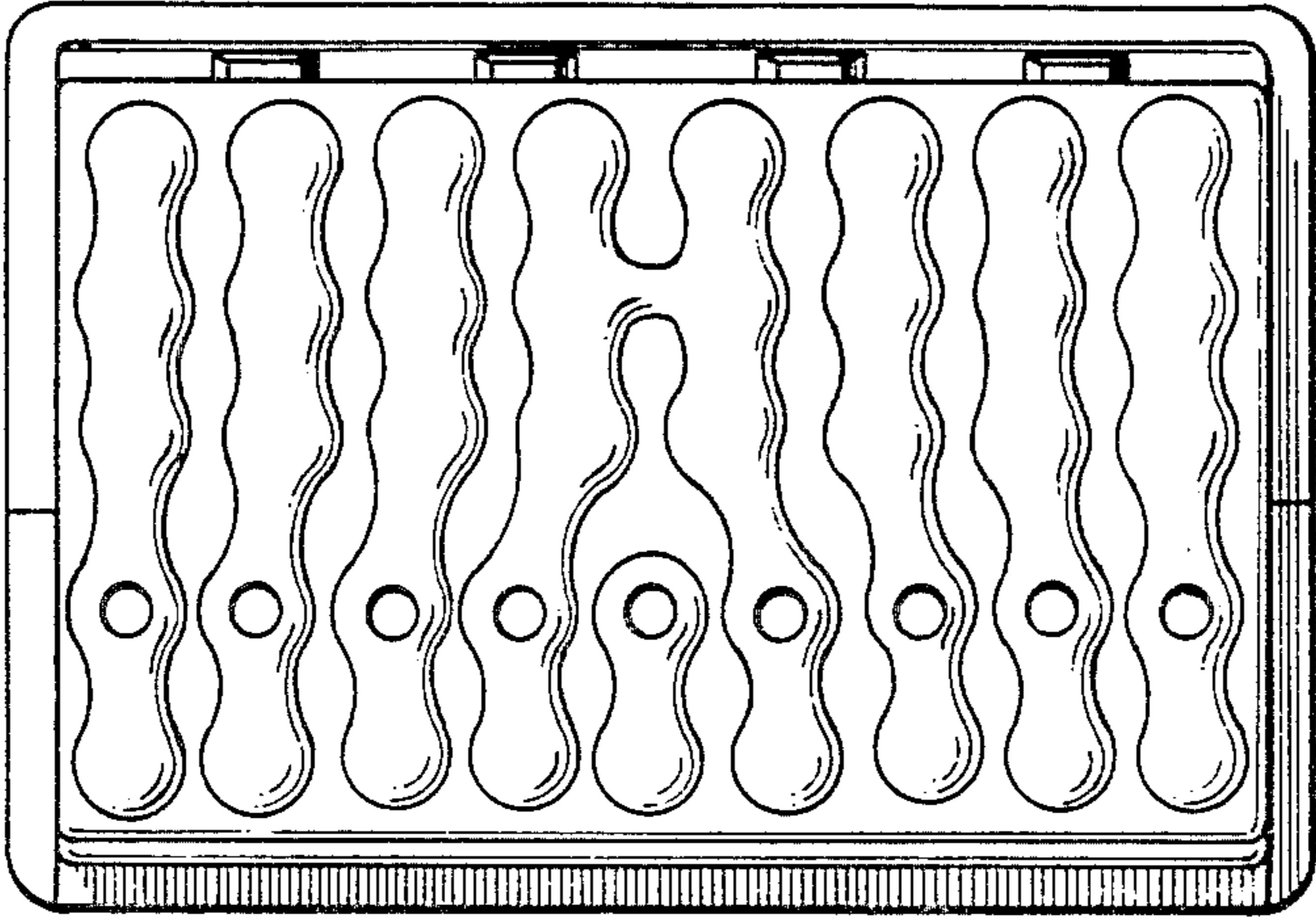


FIG. 5

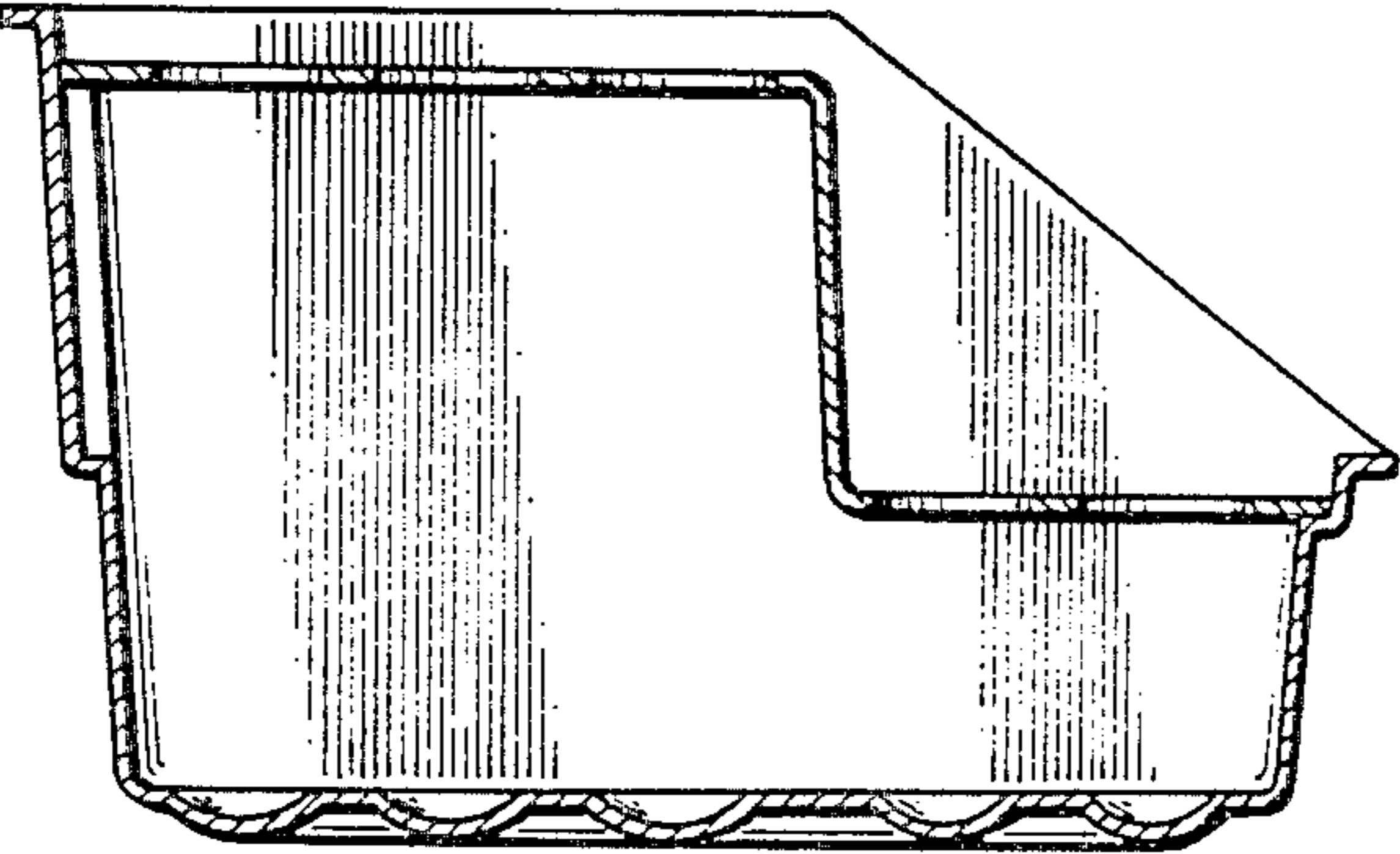


FIG. 6