

[54] COMBINED BATHTUB AND SKIRT

[75] Inventors: John D. Burgess, Loretto; Thomas E. Taylor, Rexdale, both of Canada

[73] Assignee: Acriform Engineering, Inc., Newmarket, Canada

[**] Term: 14 Years

[21] Appl. No.: 521,362

[22] Filed: Aug. 8, 1983

[30] Foreign Application Priority Data

Feb. 9, 1983 [CA] Canada 09-02-83-4

[52] U.S. Cl. D23/55; D24/38

[58] Field of Search D23/55-57; 4/542-544; D24/38

[56] References Cited

U.S. PATENT DOCUMENTS

- D. 156,052 11/1949 Springwell D23/55
- D. 177,076 3/1956 Stanitz et al. D23/55

- D. 219,215 11/1970 Korol D23/55
- D. 226,405 2/1973 Jacuzzi et al. D23/55 X
- D. 250,895 1/1979 Laver D23/55
- D. 251,920 5/1979 Ogden D23/55 X
- D. 254,206 2/1980 Ogden D23/55 X
- D. 257,058 9/1980 Laver D23/55
- D. 275,782 10/1984 Burgess et al. D23/55
- D. 278,844 5/1985 Stairs, Jr. D23/55
- 3,299,444 1/1967 Gangelhoff 4/584
- 4,290,154 9/1981 Benjamin 4/538

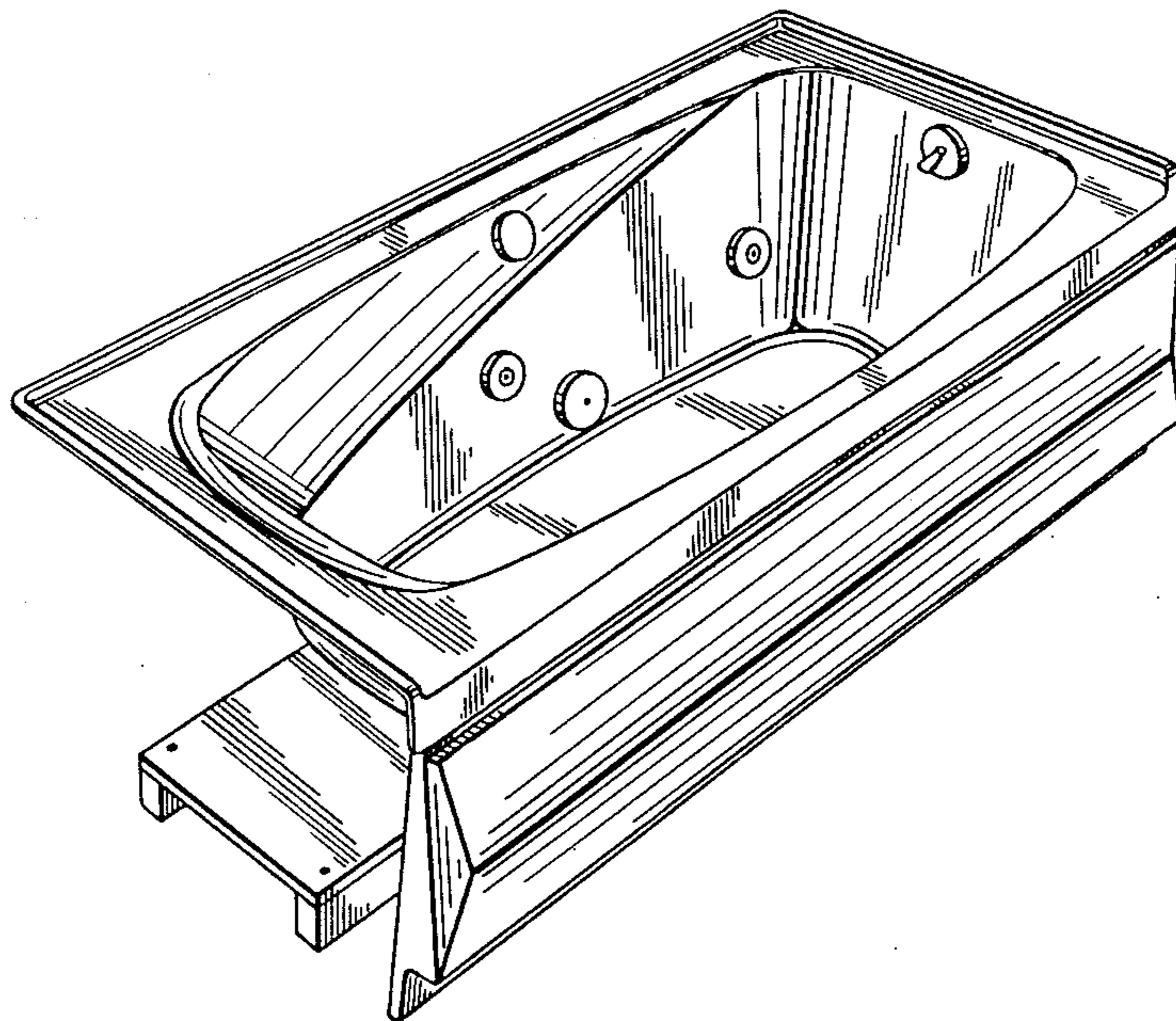
Primary Examiner—James R. Largen
Attorney, Agent, or Firm—Ridout & Maybee

[57] CLAIM

The ornamental design for a combined bathtub and skirt, substantially as shown.

DESCRIPTION

FIG. 1 is a perspective view taken from the top, front and left end of a combined bathtub and skirt showing our new design;
FIG. 2 is a top plan view thereof;
FIG. 3 is a front elevational view thereof; and
FIG. 4 is a left end elevational view thereof.



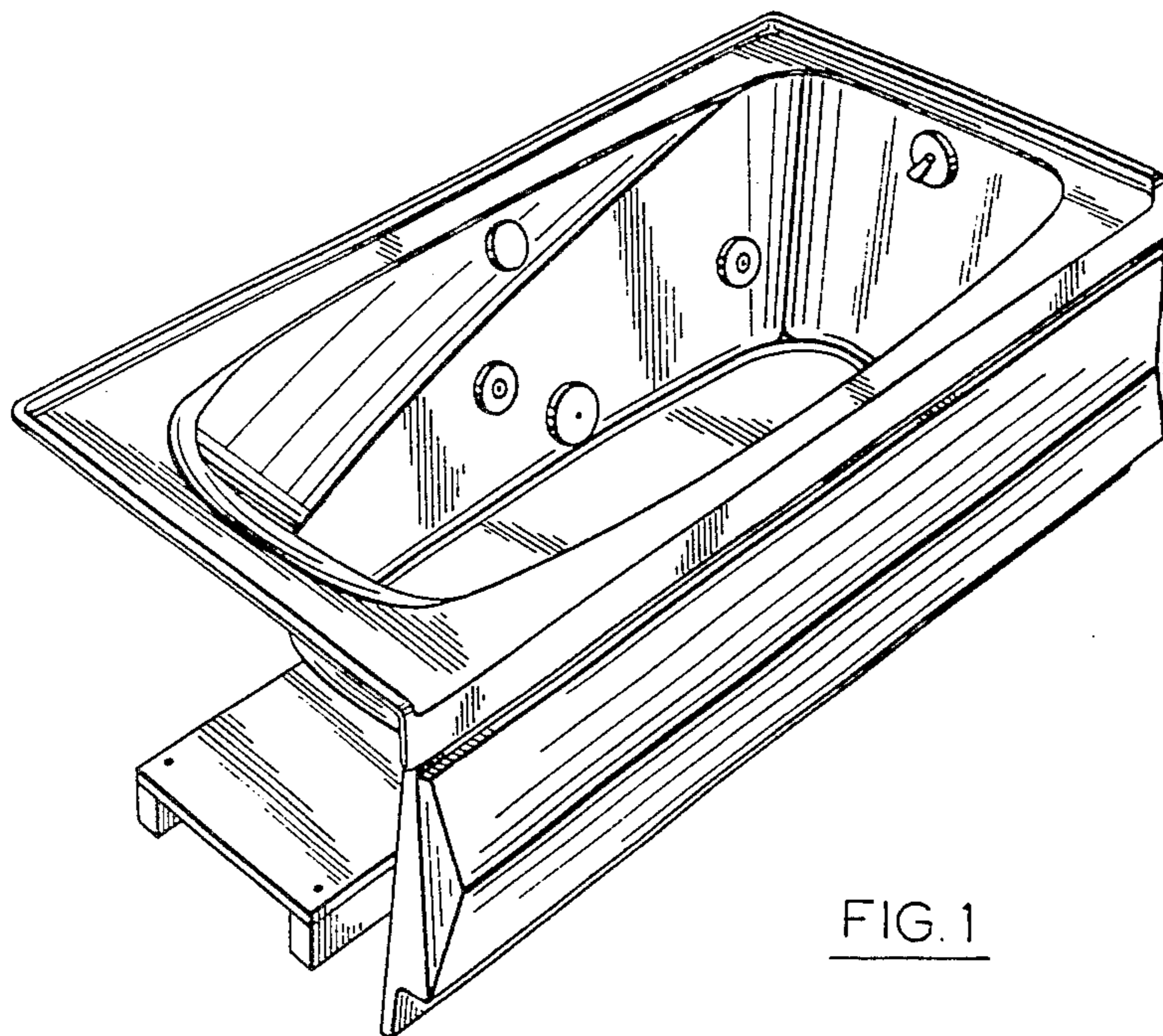


FIG. 1

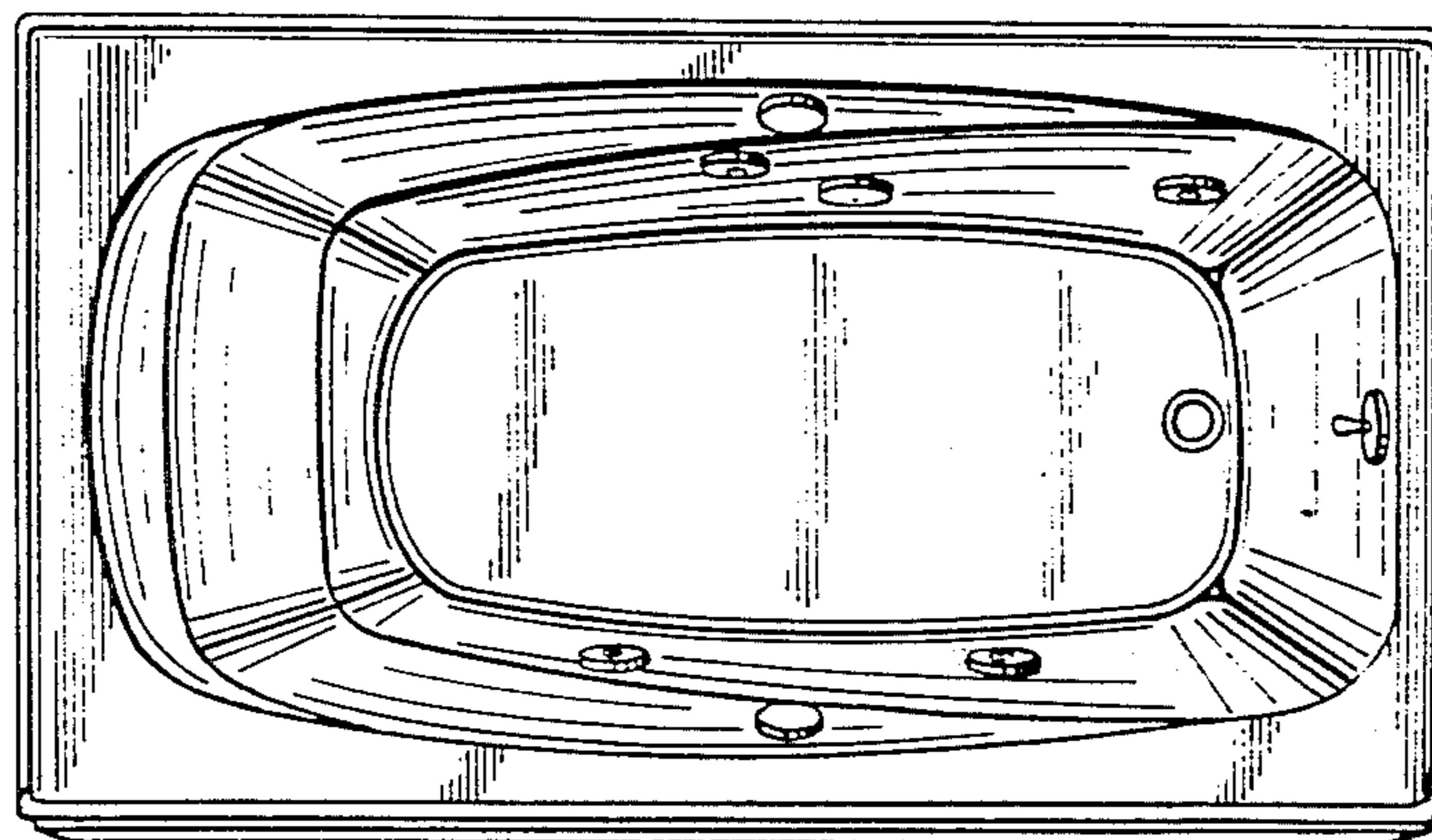


FIG. 2

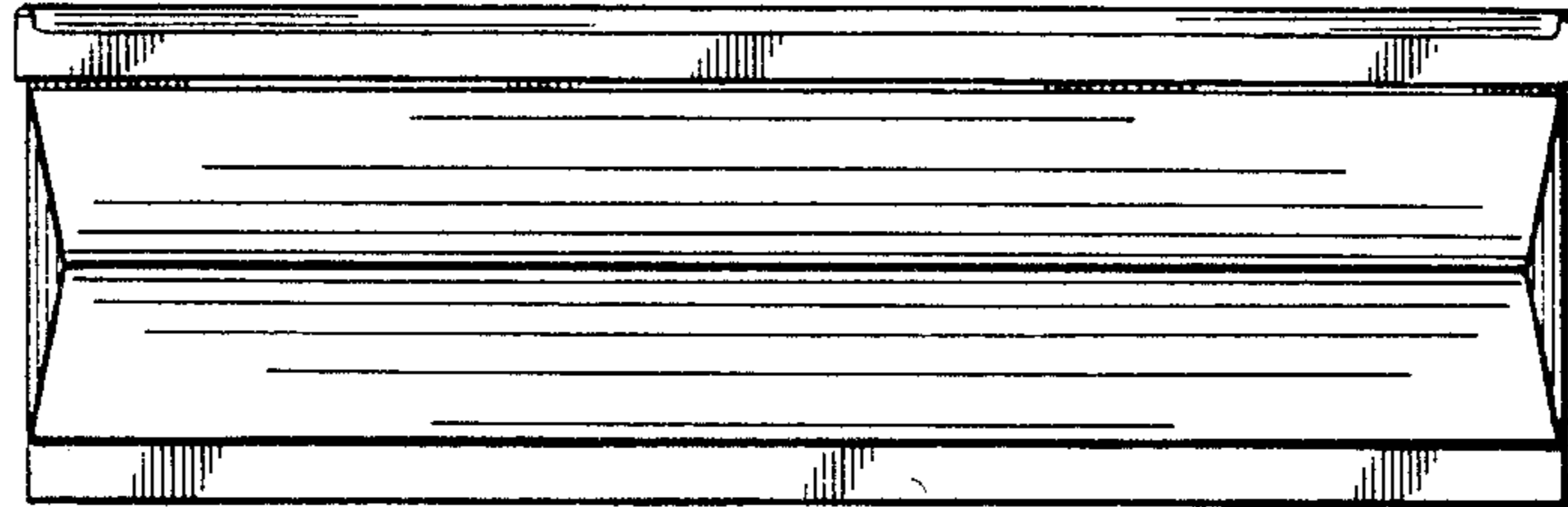


FIG. 3

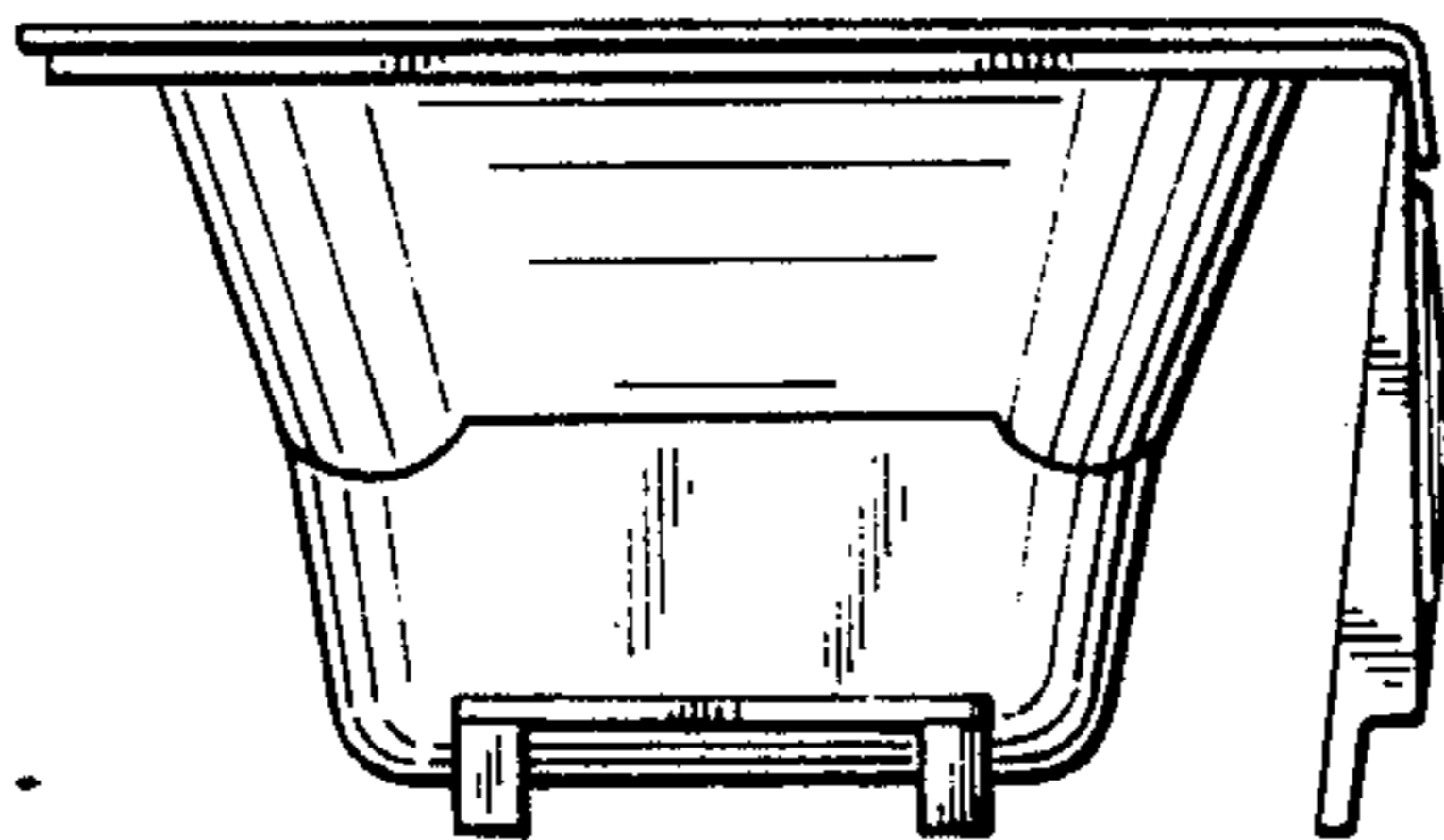


FIG. 4