

[54] WATER TREATING UNIT

[76] Inventor: Kou-Hsu Lu, No. 8-3, Alley 2, Lane 871, Kai-Sian 3rd Rd., Kaohsiung, Taiwan

[**] Term: 14 Years

[21] Appl. No.: 468,952

[22] Filed: Feb. 23, 1983

[52] U.S. Cl. D23/3

[58] Field of Search D23/2-4; 210/261, 256, 269, 281, 282, 443-449

[56] References Cited

U.S. PATENT DOCUMENTS

D. 152,286	1/1949	Patterson	D23/3
D. 187,577	3/1960	Smith	D23/3
D. 229,178	11/1973	Mixon	D23/3
D. 236,829	9/1975	Berry, Jr. et al.	D23/3
D. 238,875	2/1976	Berry, Jr. et al.	D23/3
D. 253,422	11/1979	Smith	D23/4
631,301	8/1899	Haine	210/264

648,105	4/1900	Greer	210/264
3,011,643	12/1961	McCoy	210/264 X
3,394,530	7/1968	O'Neil et al.	210/311 X
3,426,905	2/1969	Kalfas	210/282 X

Primary Examiner—James R. Largen
Attorney, Agent, or Firm—Holman & Stern

[57] CLAIM

The ornamental design for a water treating unit, as shown and described.

DESCRIPTION

FIG. 1 is a perspective view taken from the top, front and right end of a water treating unit showing my new design;

FIG. 2 is a front elevational view thereof;

FIG. 3 is a rear elevational view thereof;

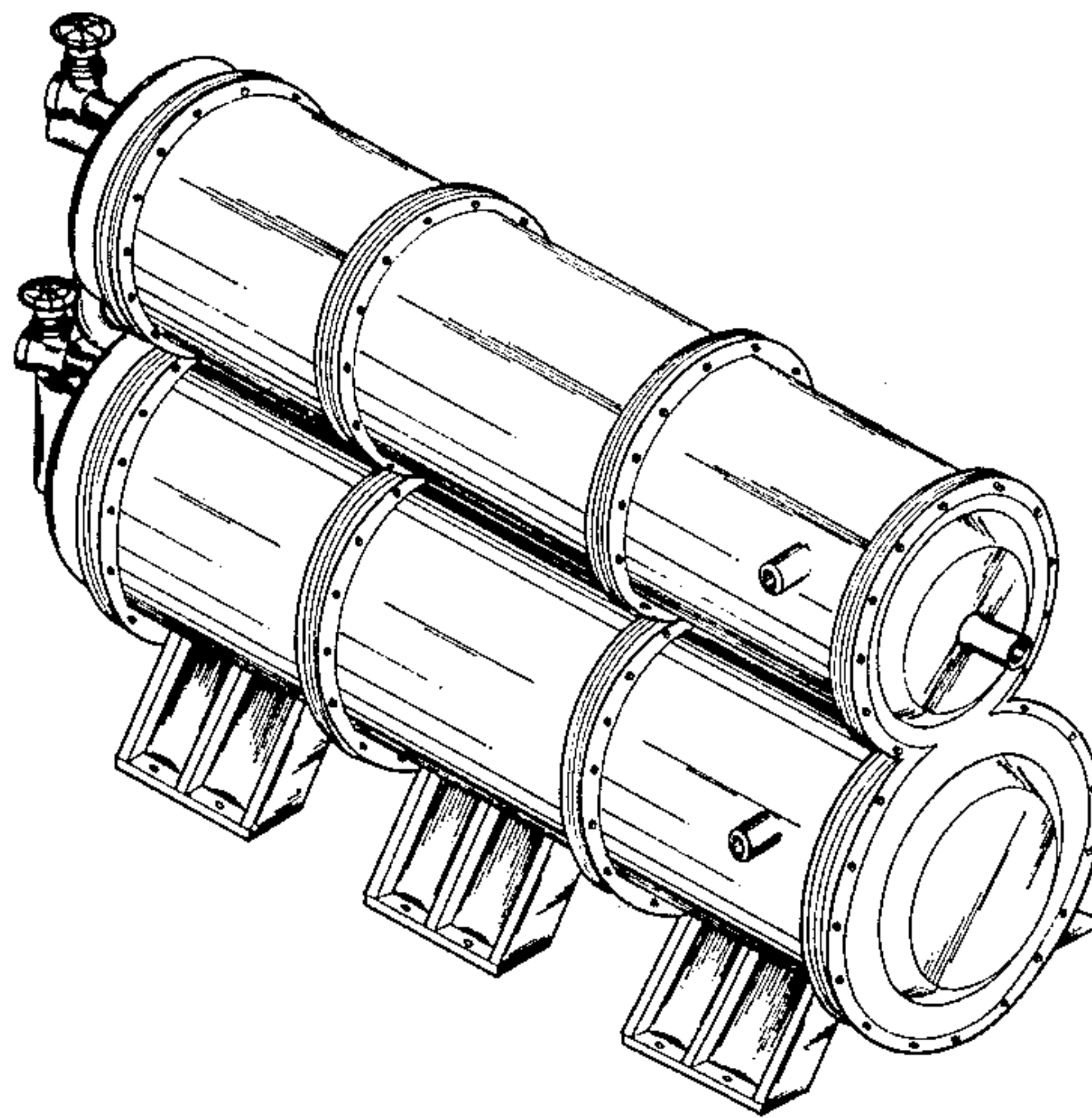
FIG. 4 is a left end elevational view thereof;

FIG. 5 is a right end elevational view thereof;

FIG. 6 is a top plan view thereof; and

FIG. 7 is a bottom plan view thereof;

FIG. 8 is a whole view of the drink water treating device as shown in FIG. 1.



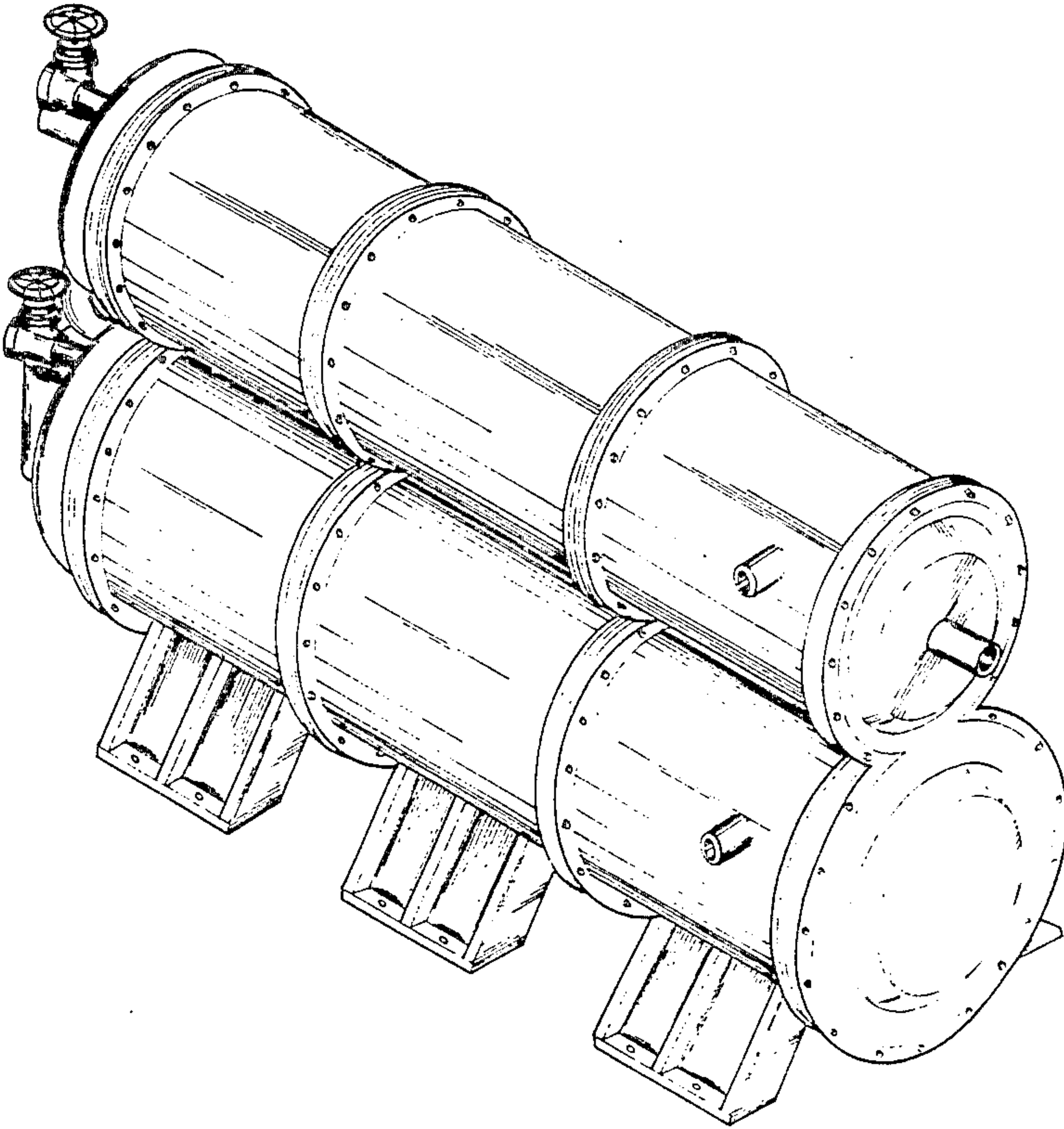


Fig 1

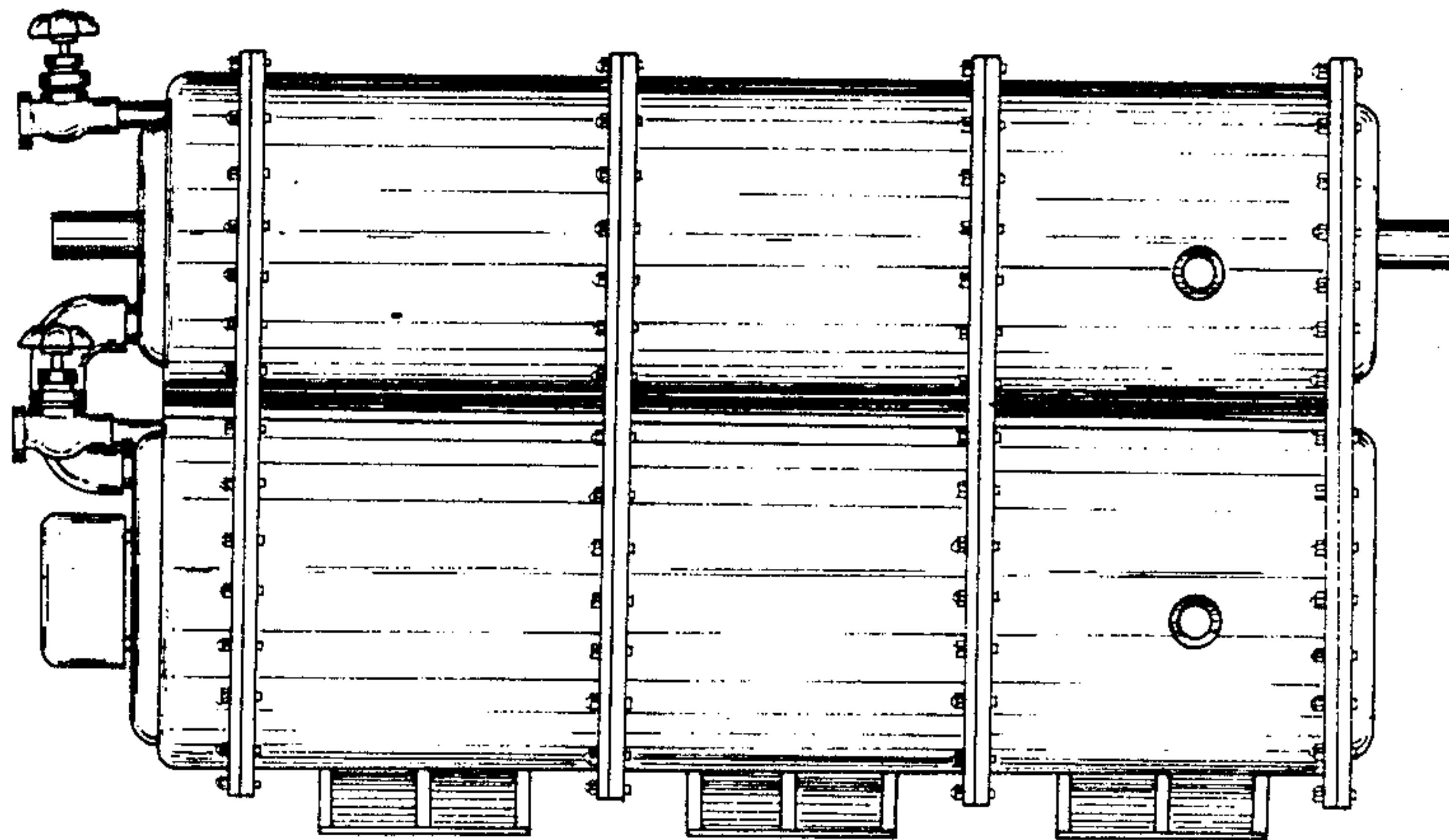


Fig 2

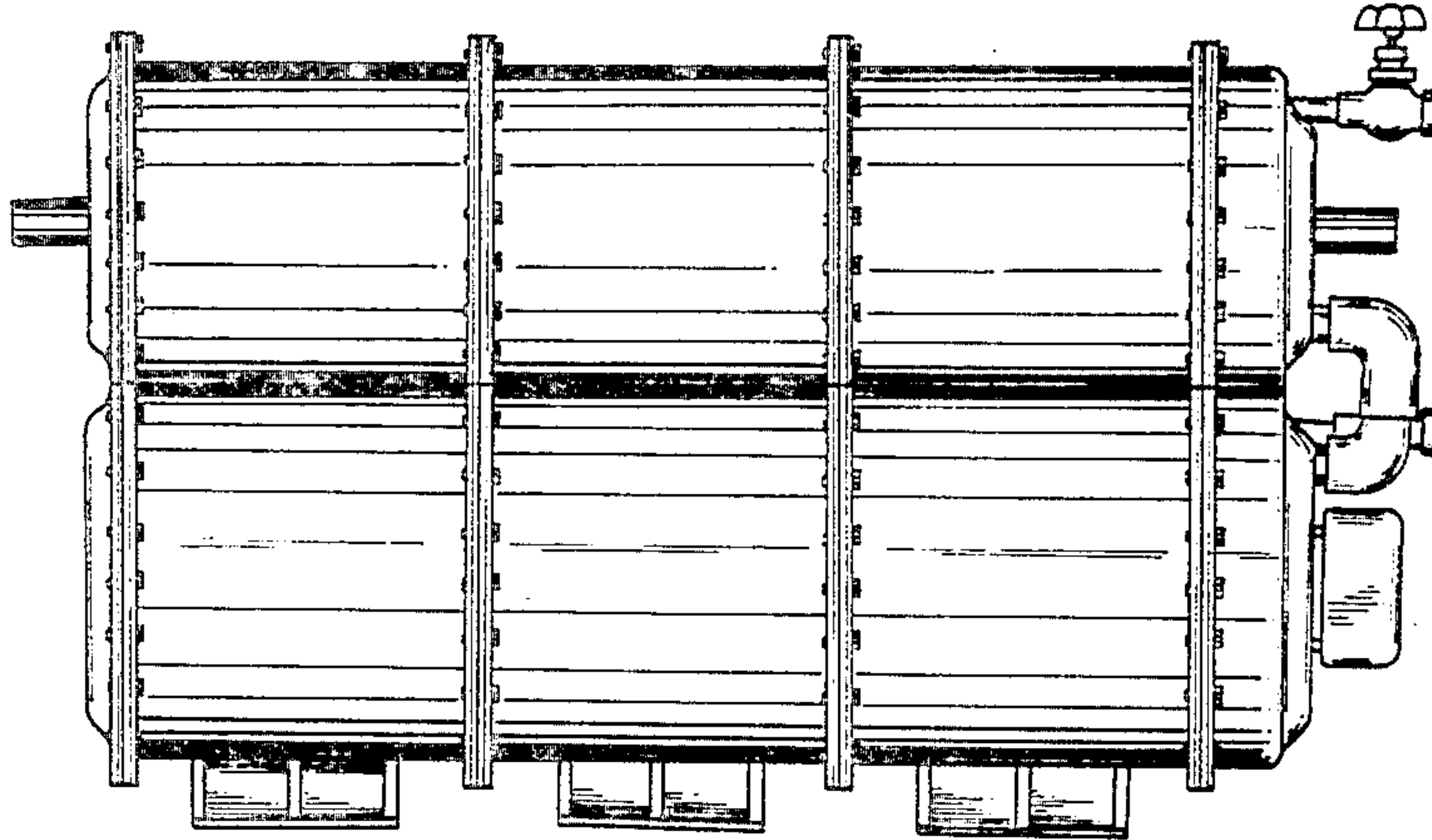


Fig 3

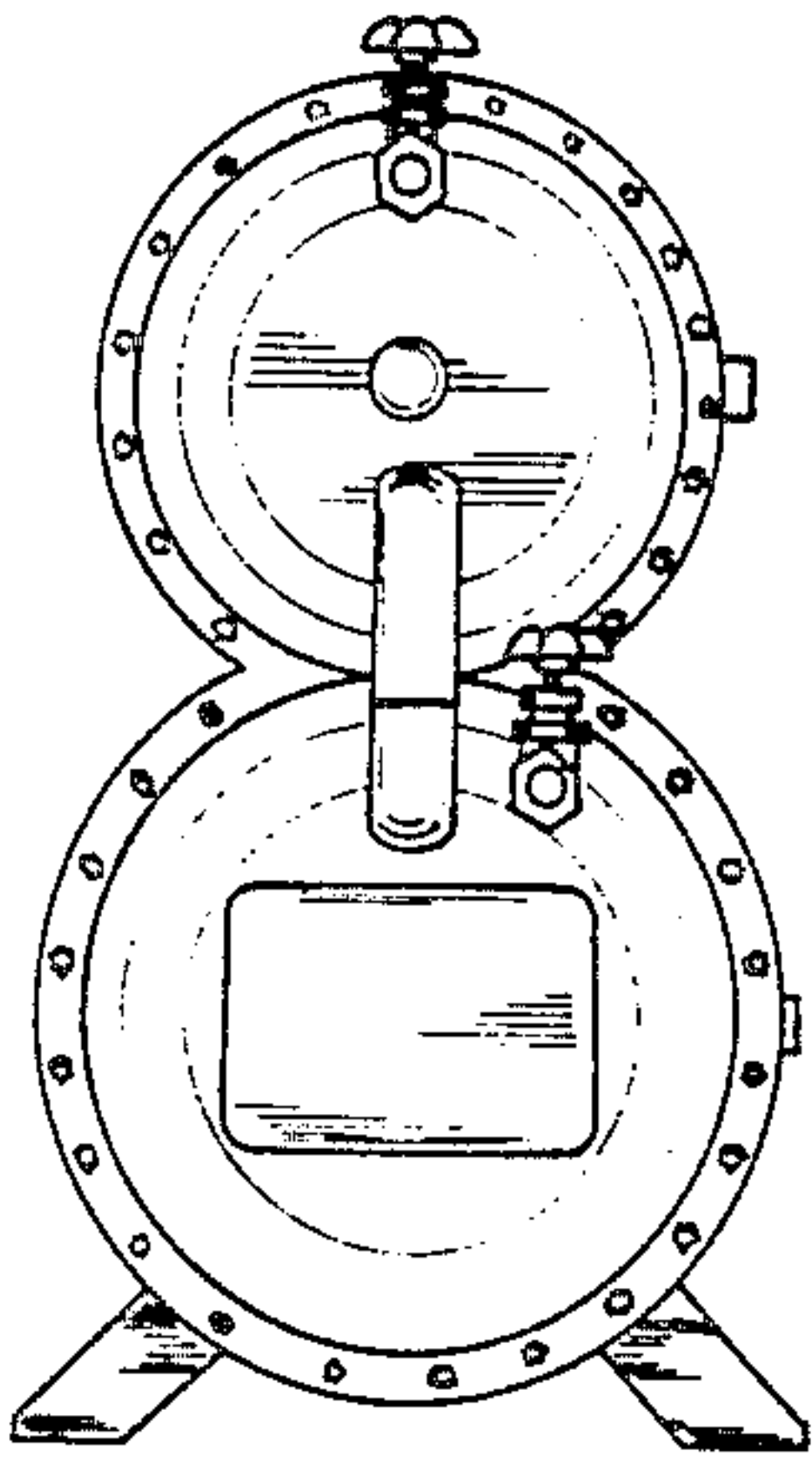


Fig 4

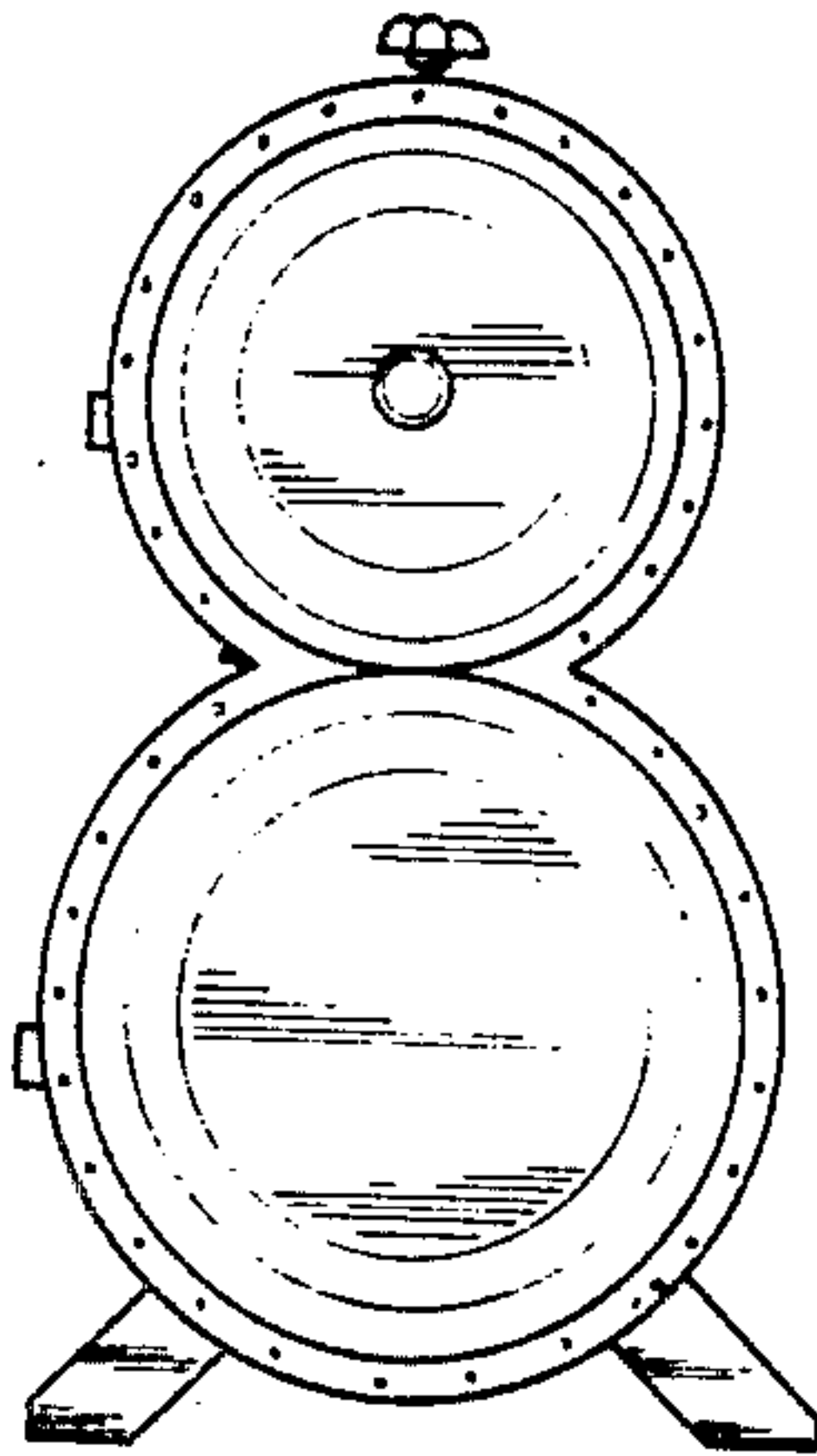


Fig 5

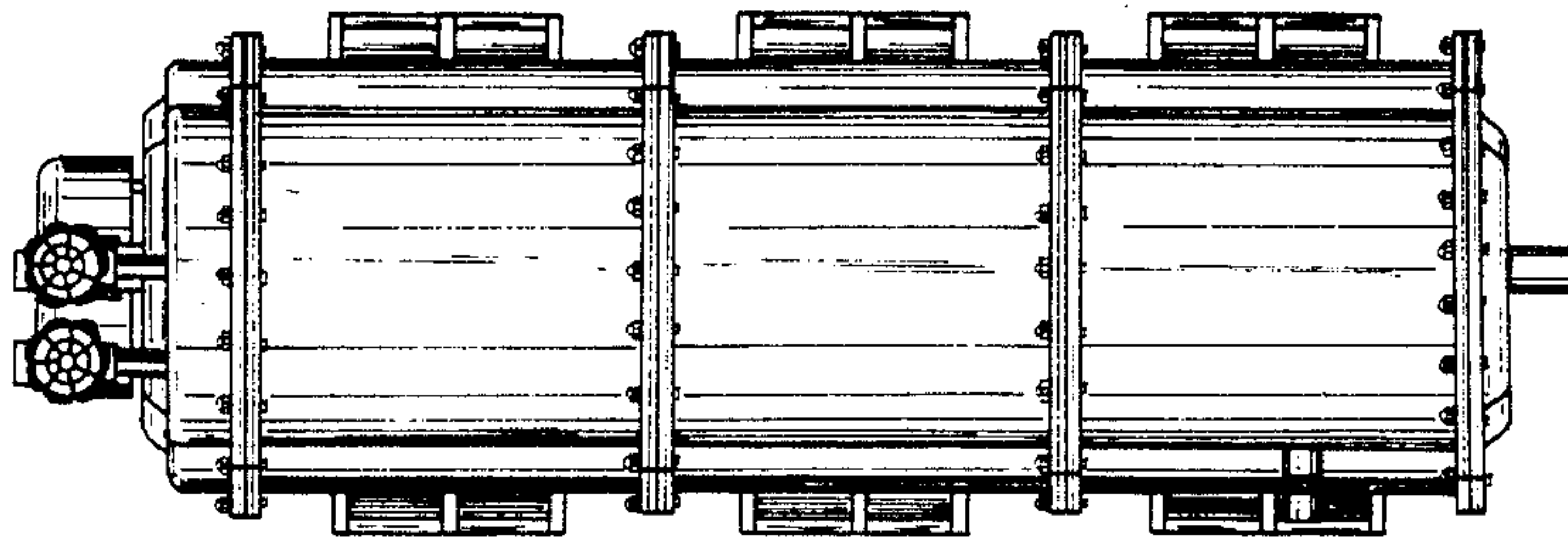


Fig 6

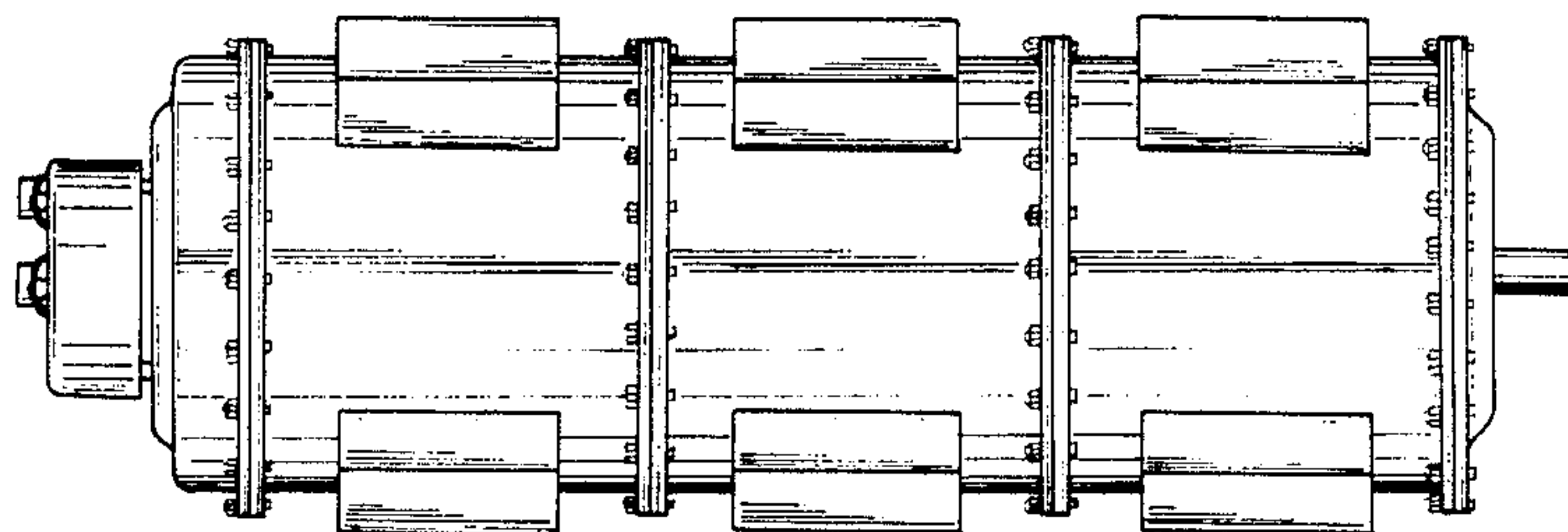


Fig 7