

[54] **TIMING DEVICE FOR FISHING RODS**

4,458,437 7/1984 Ou 43/17

[76] **Inventor: James W. Gatton, P.O. Box 27, State Rte. 97, West, Bellville, Ohio 44813**

*Primary Examiner—A. Hugo Word
Attorney, Agent, or Firm—Robert E. Stebens*

[**] **Term: 14 Years**

[57] **CLAIM**

The ornamental design for a timing device for fishing rods, substantially as shown and described.

[21] **Appl. No.: 529,103**

[22] **Filed: Sep. 2, 1983**

DESCRIPTION

[52] **U.S. Cl. D22/23**

[58] **Field of Search D22/22, 23, 13; 43/15, 43/16, 17**

FIG. 1 is a perspective view of a timing device for fishing rods showing my new design.

FIG. 2 is a top plan view thereof.

FIG. 3 is a side elevational view thereof as seen from the bottom side of FIG. 2.

FIG. 4 is a side elevational view thereof as seen from the top side of FIG. 2.

FIG. 5 is a front elevational view thereof.

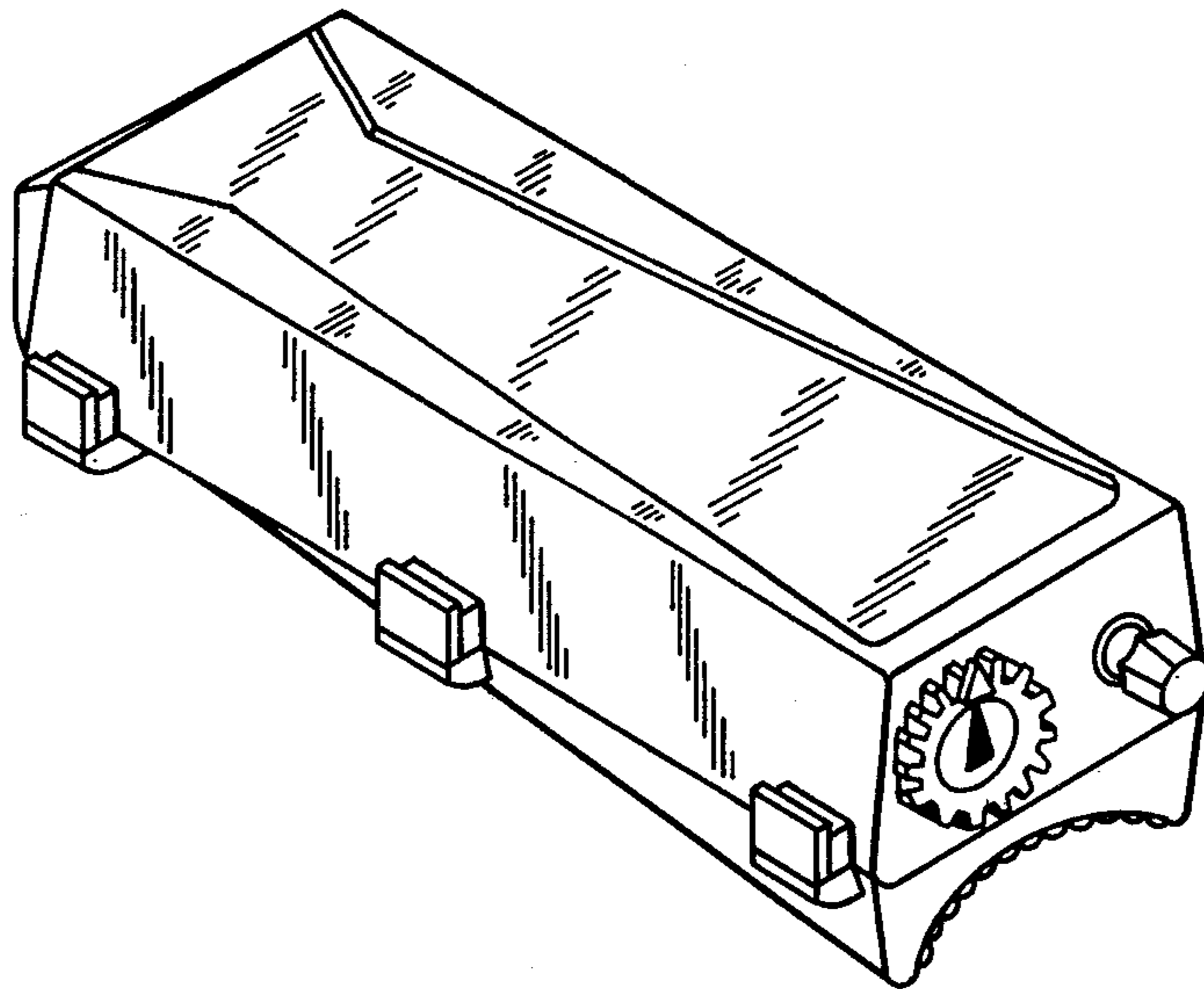
FIG. 6 is a rear elevational view thereof.

FIG. 7 is a bottom plan view thereof.

[56] **References Cited**

U.S. PATENT DOCUMENTS

D. 230,589	3/1974	Muehl et al.	D22/23
4,112,607	9/1978	Scher	D22/13 X
4,384,425	5/1983	Lemons	43/17
4,398,185	8/1983	Roberts, Sr.	43/17 X



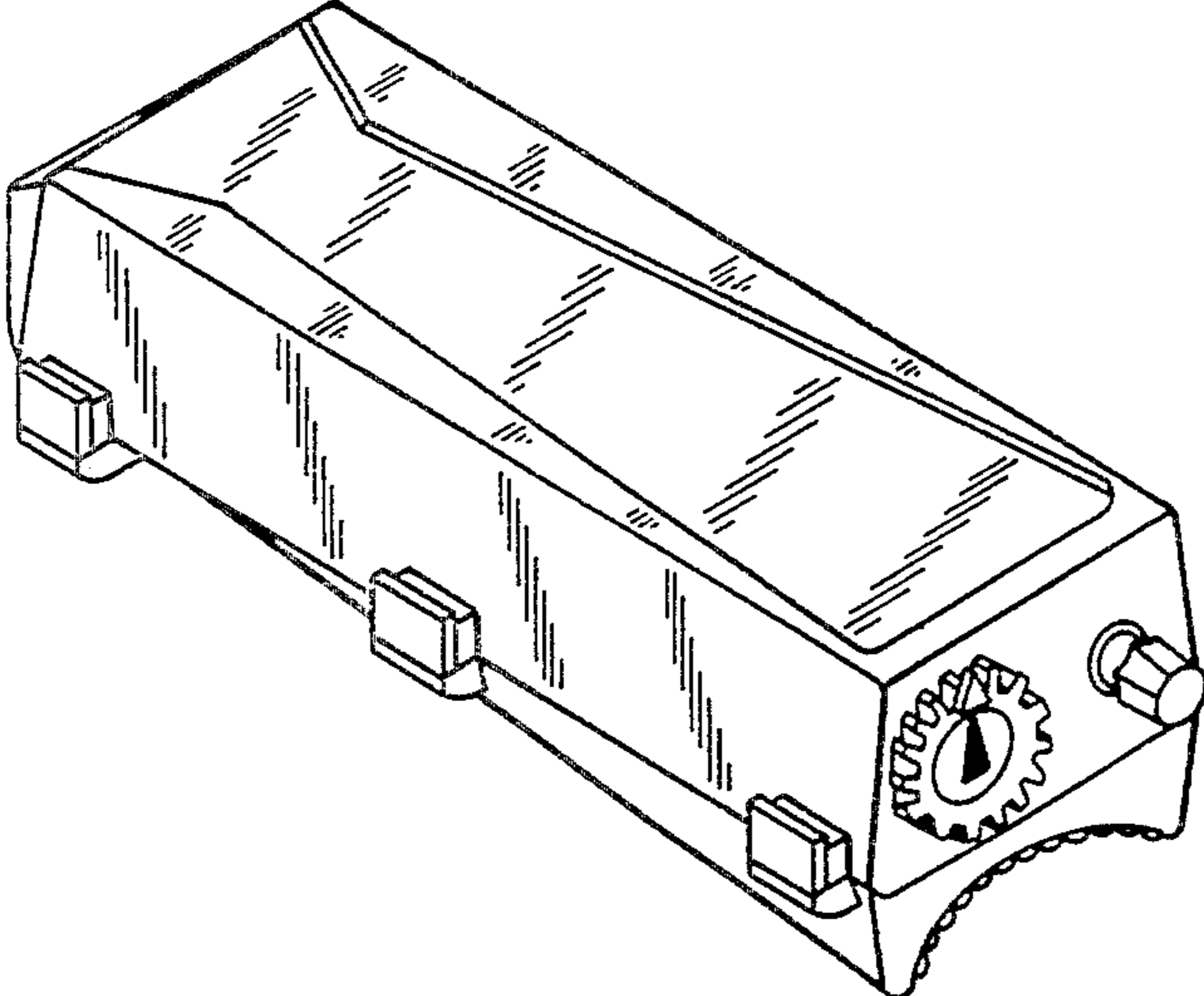


FIG. 1

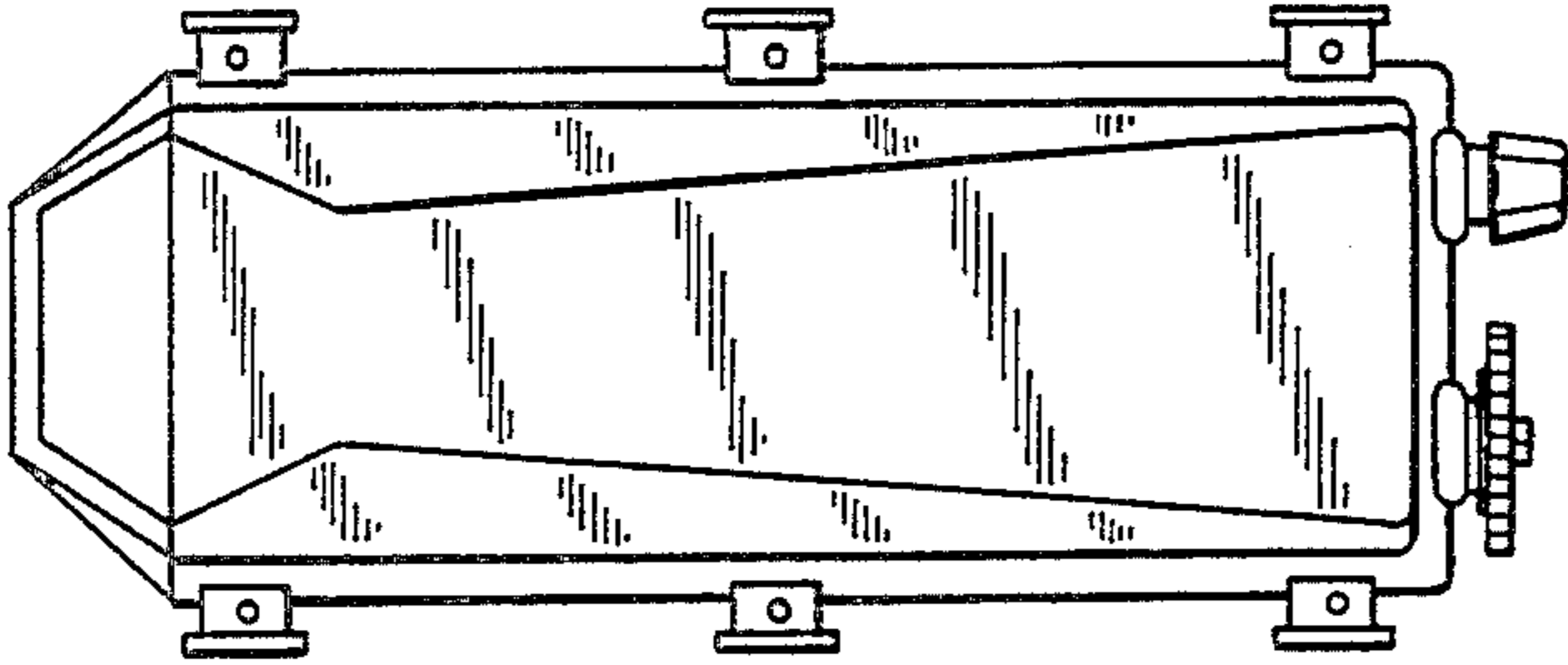


FIG. 2

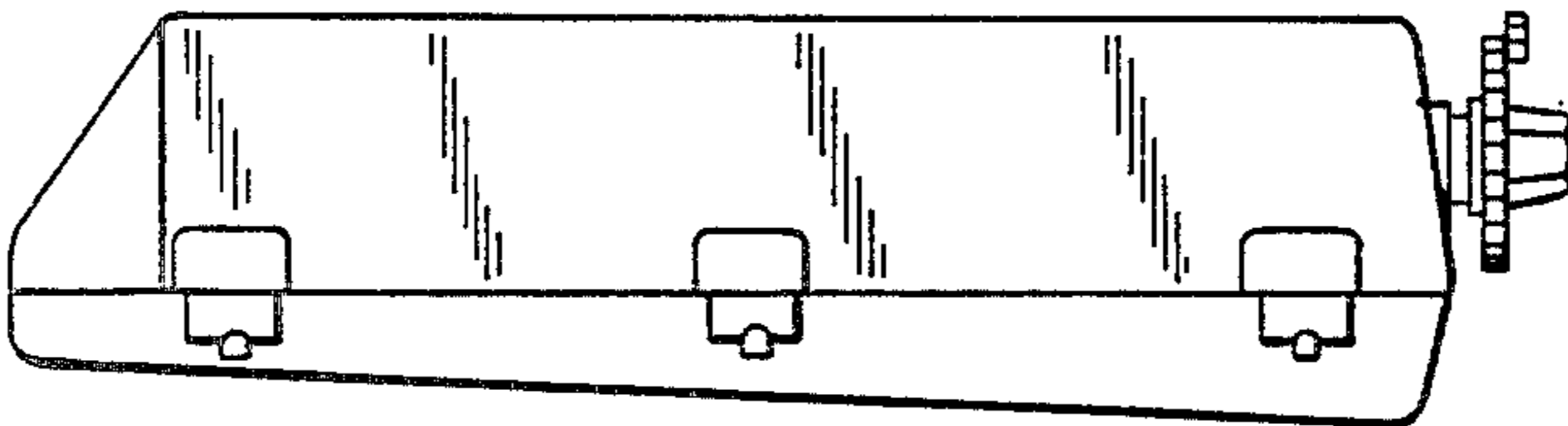


FIG. 3

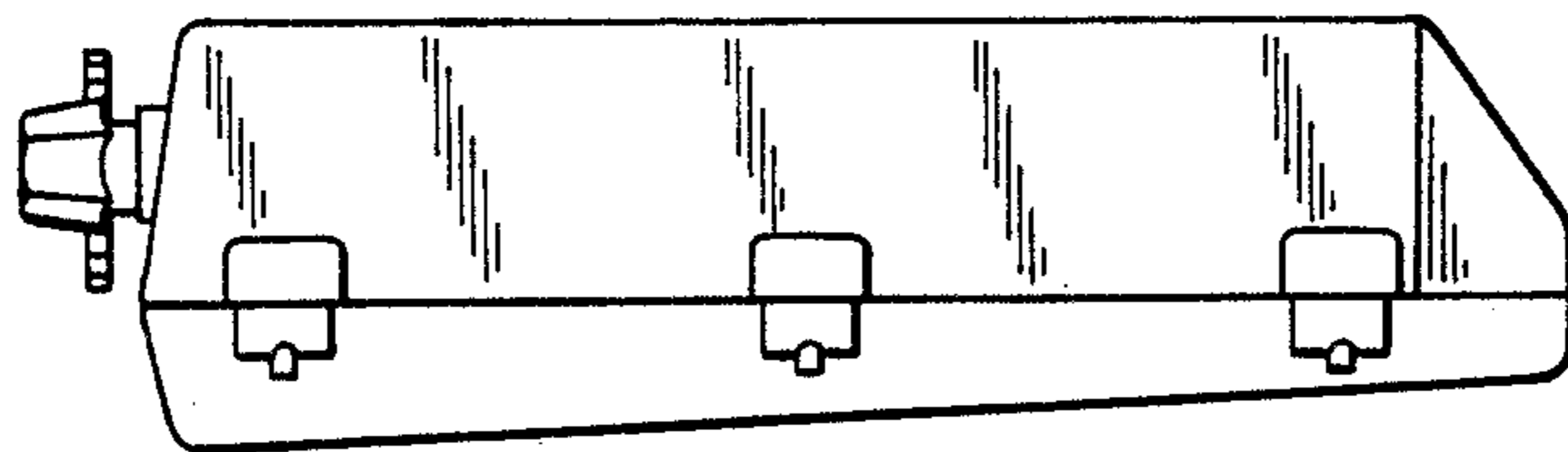


FIG. 4

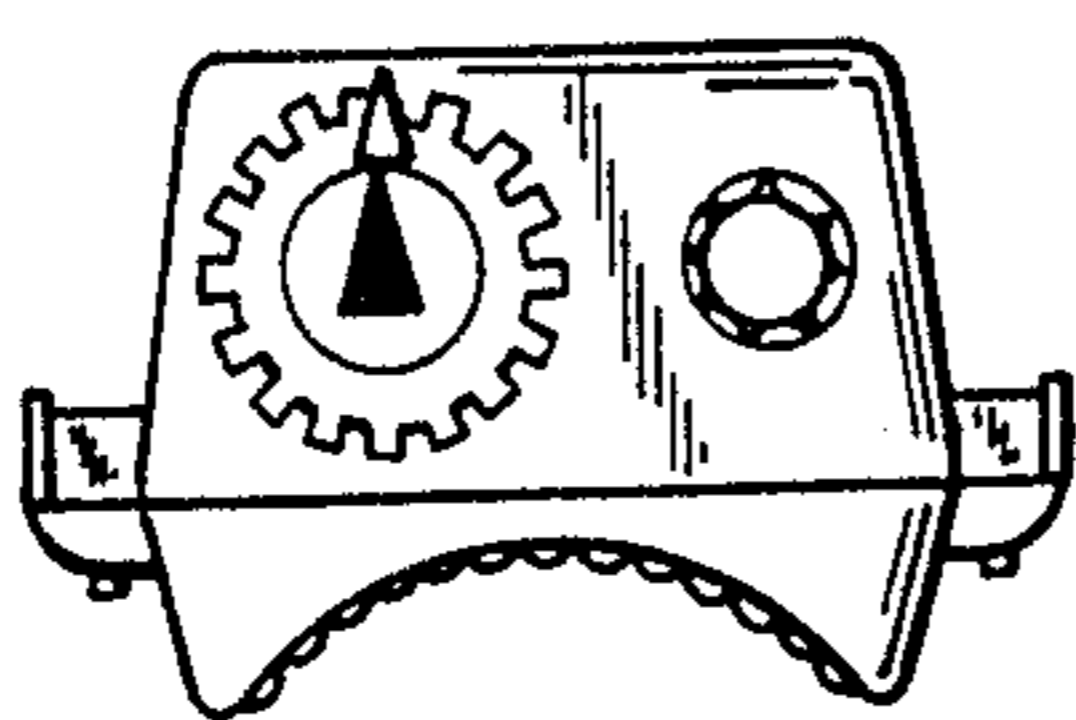


FIG. 5

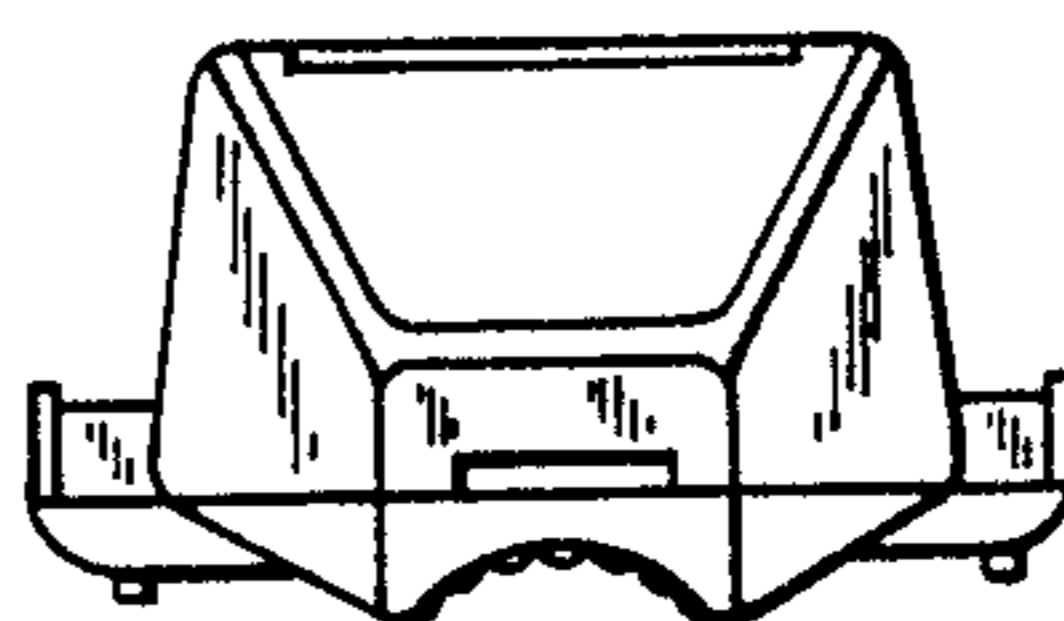


FIG. 6

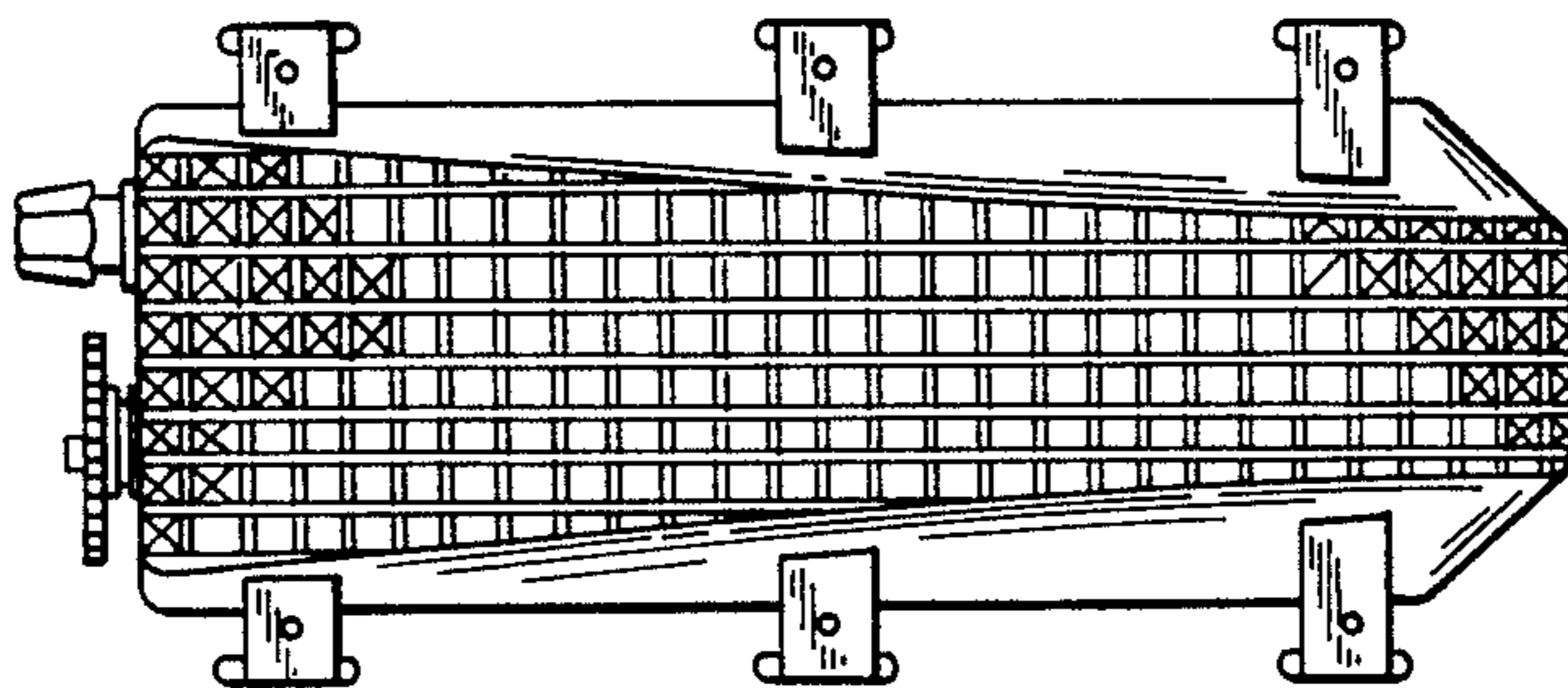


FIG. 7