

[54] CHILD'S PLAY POOL

D. 229,950 1/1974 Mitcaiko ..... D21/252  
2,483,789 10/1949 Smith et al. .... 272/1 A  
2,628,364 2/1953 Wallace et al. .... 272/1 A

[76] Inventor: Eustace L. Crick, 9 Harvard  
Mansions, St. Johns Hill, London  
SW11 ITB, England

Primary Examiner—Carmen H. Vales  
Attorney, Agent, or Firm—Roger A. Marrs

[\*\*] Term: 14 Years

[57] CLAIM

[21] Appl. No.: 562,976

The ornamental design for a child's play pool, as substantially shown and described.

[22] Filed: Dec. 19, 1983

DESCRIPTION

[52] U.S. Cl. .... D21/252

[58] Field of Search ..... D21/240, 242, 247, 252;  
D25/2; D6/331; 272/1 A

FIG. 1 is a perspective view of a child's play pool showing my new design;

FIG. 2 is a front elevational view, the rear view being a mirror image thereof;

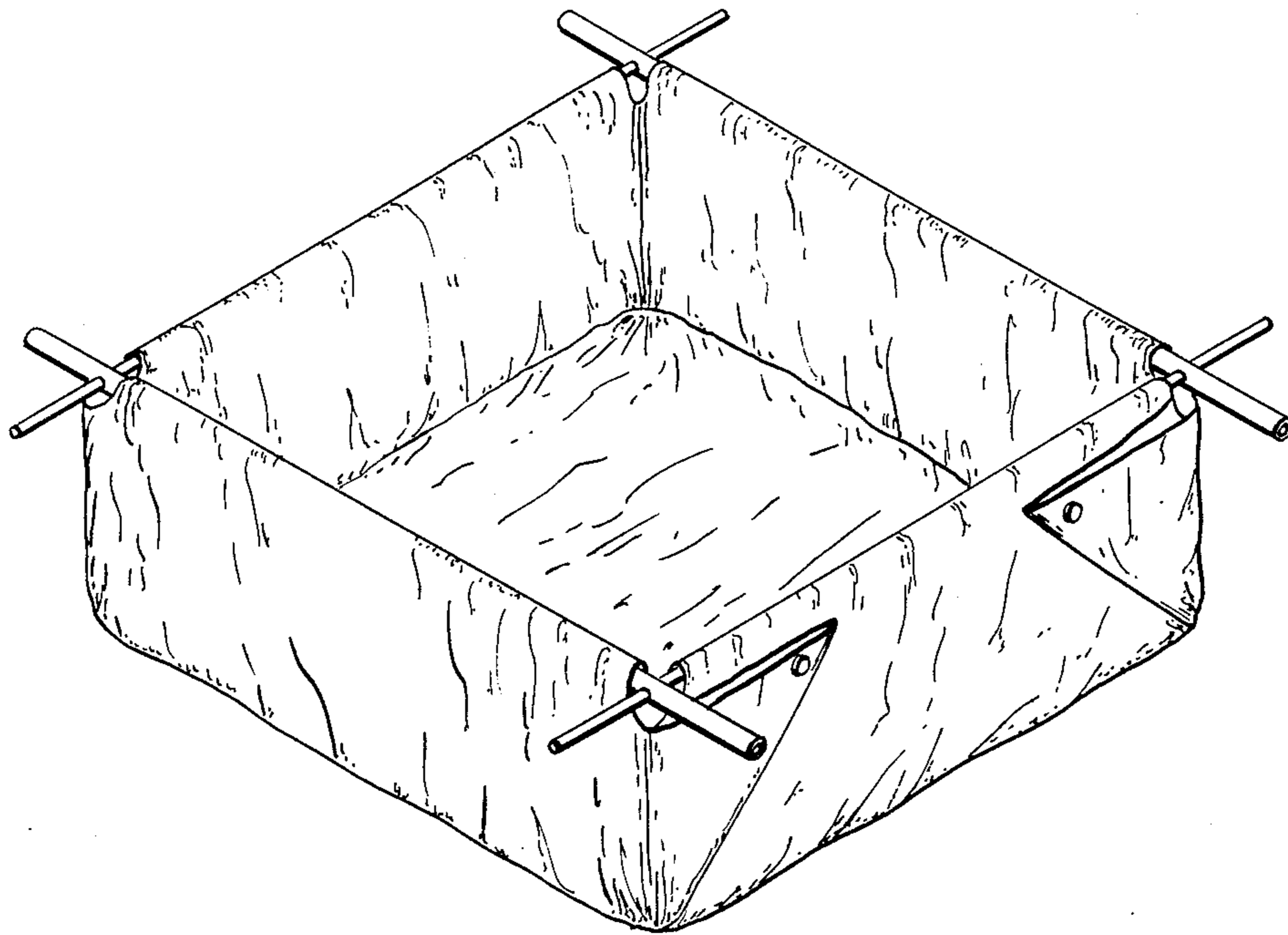
FIG. 3 is a side elevational view, the opposite side being a mirror image thereof; and

FIG. 4 is a bottom plan view thereof.

[56] References Cited

U.S. PATENT DOCUMENTS

D. 112,440 12/1938 Smith ..... D21/252



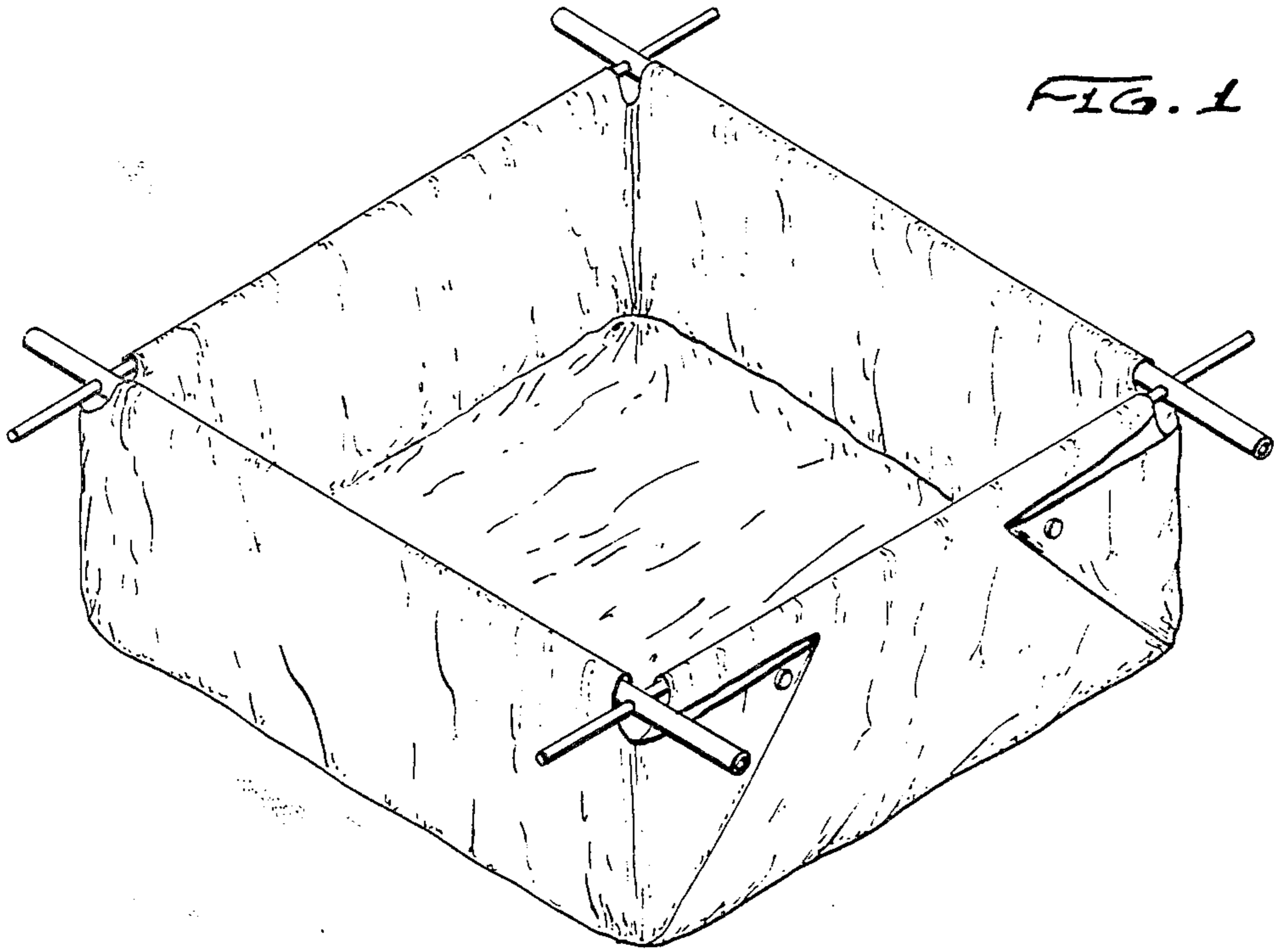


FIG. 1

FIG. 2

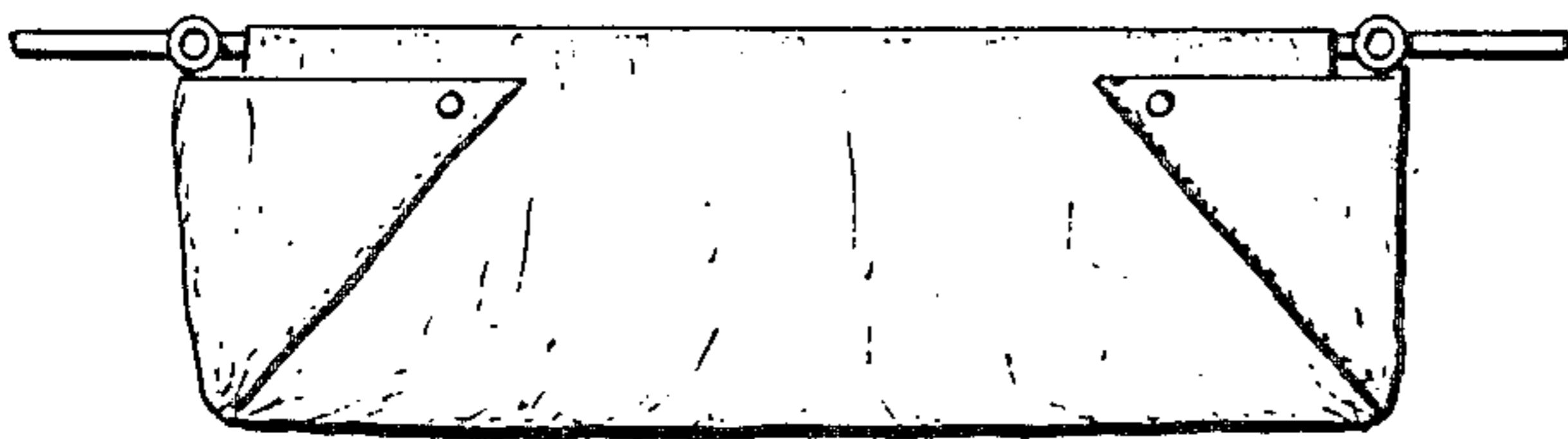


FIG. 4

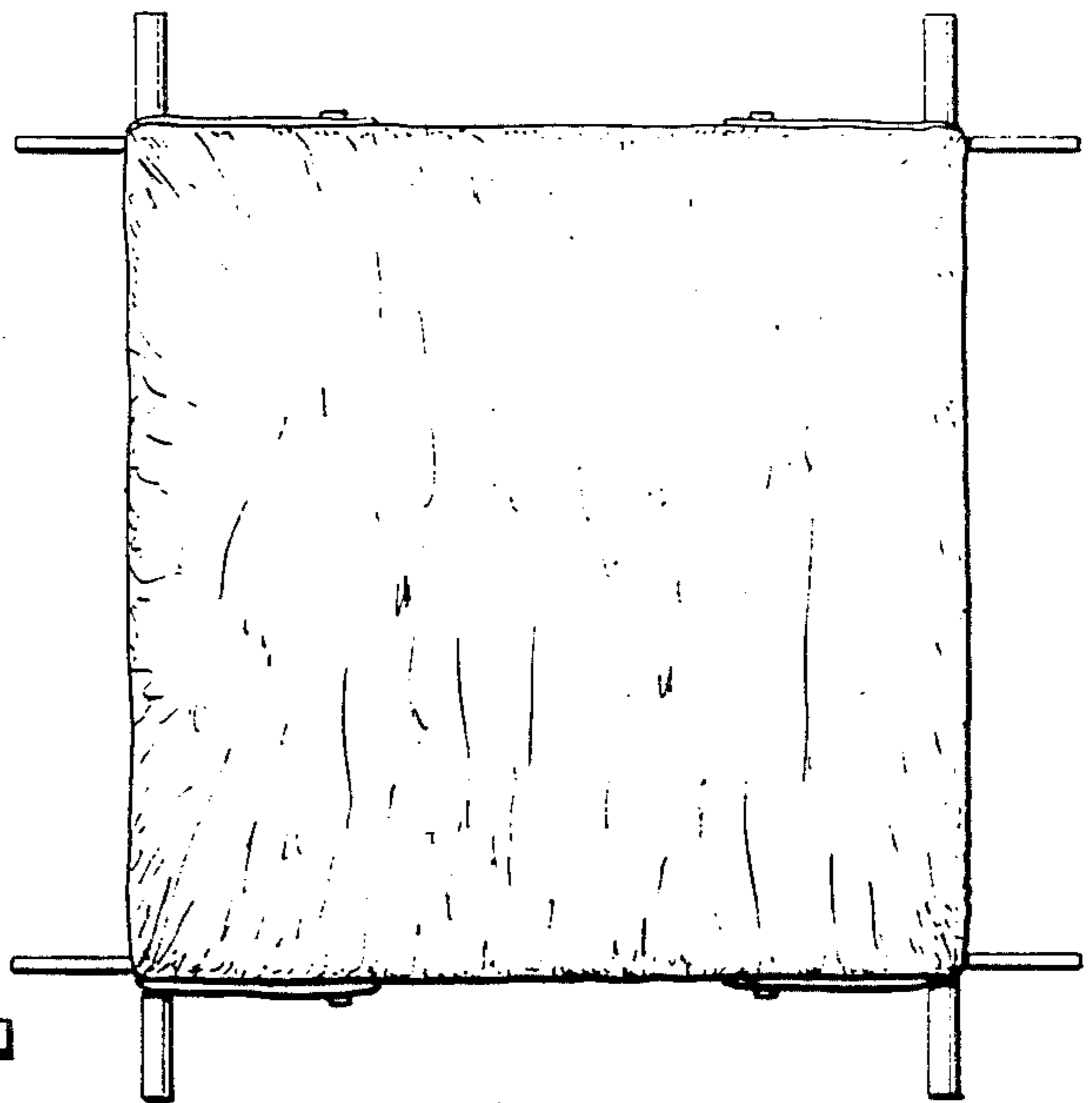


FIG. 3

