

[54] **GOLF PUTTER HEAD**

[76] **Inventor: William B. Shearer, 2905 W. Main St., Muncie, Ind. 47305**

[\*\*] **Term: 14 Years**

[21] **Appl. No.: 553,559**

[22] **Filed: Nov. 21, 1983**

[52] **U.S. Cl. .... D21/217**

[58] **Field of Search ..... D21/214-220; 273/167-175, 164**

[56] **References Cited**

**U.S. PATENT DOCUMENTS**

D. 270,852 10/1983 Mahaffey et al. .... D21/217

**OTHER PUBLICATIONS**

Golf World, 12/3/82, p. 18, top middle, Ping Anser 4 Putter.

*Primary Examiner*—Melvin B. Feifer  
*Attorney, Agent, or Firm*—James D. Haynes

[57] **CLAIM**

The ornamental design for golf putter head, as shown.

**DESCRIPTION**

FIG. 1 is a front view of a golf golf putter head showing my new design;

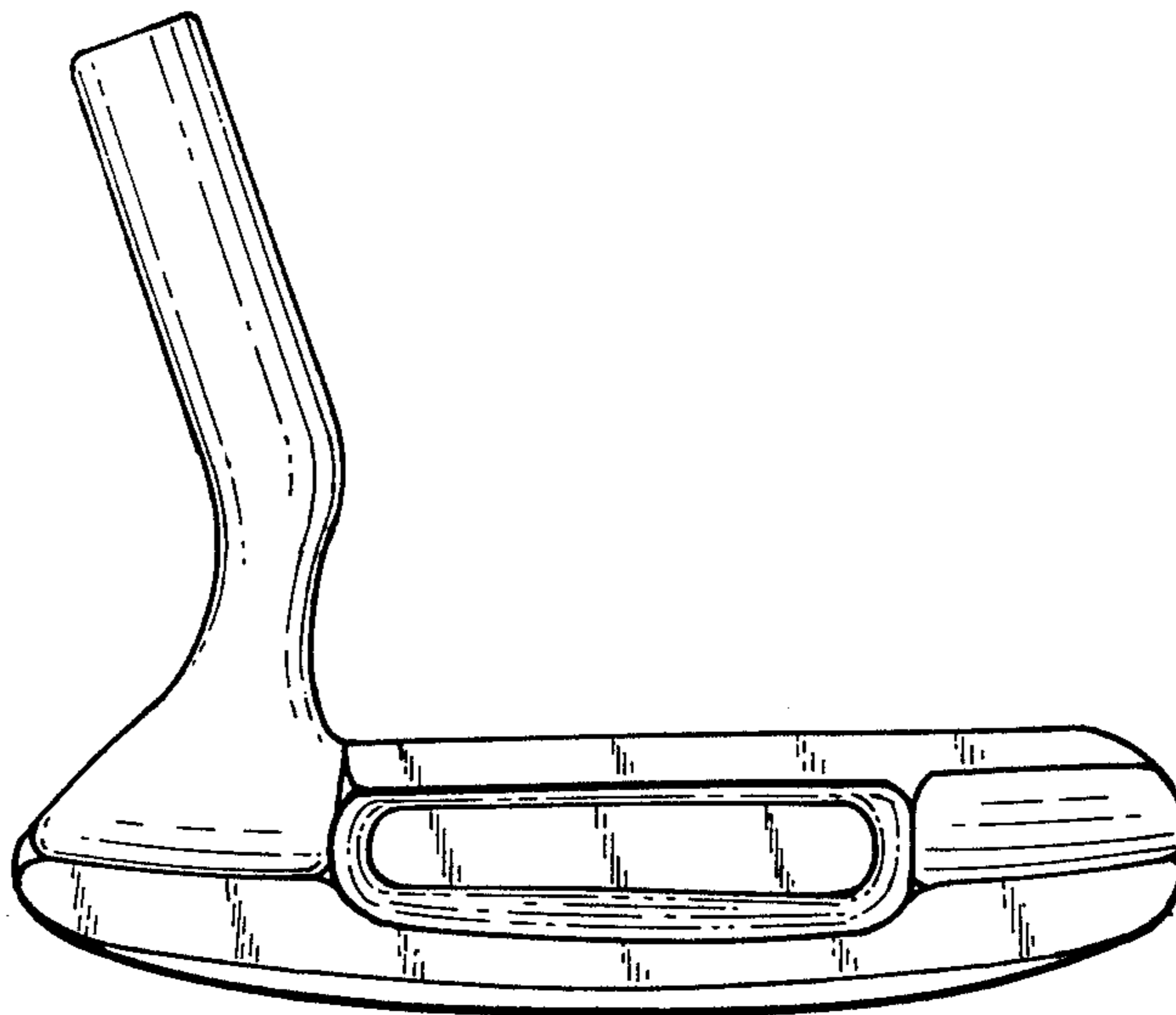
FIG. 2 is a top view thereof.

FIG. 3 is a rear view thereof.

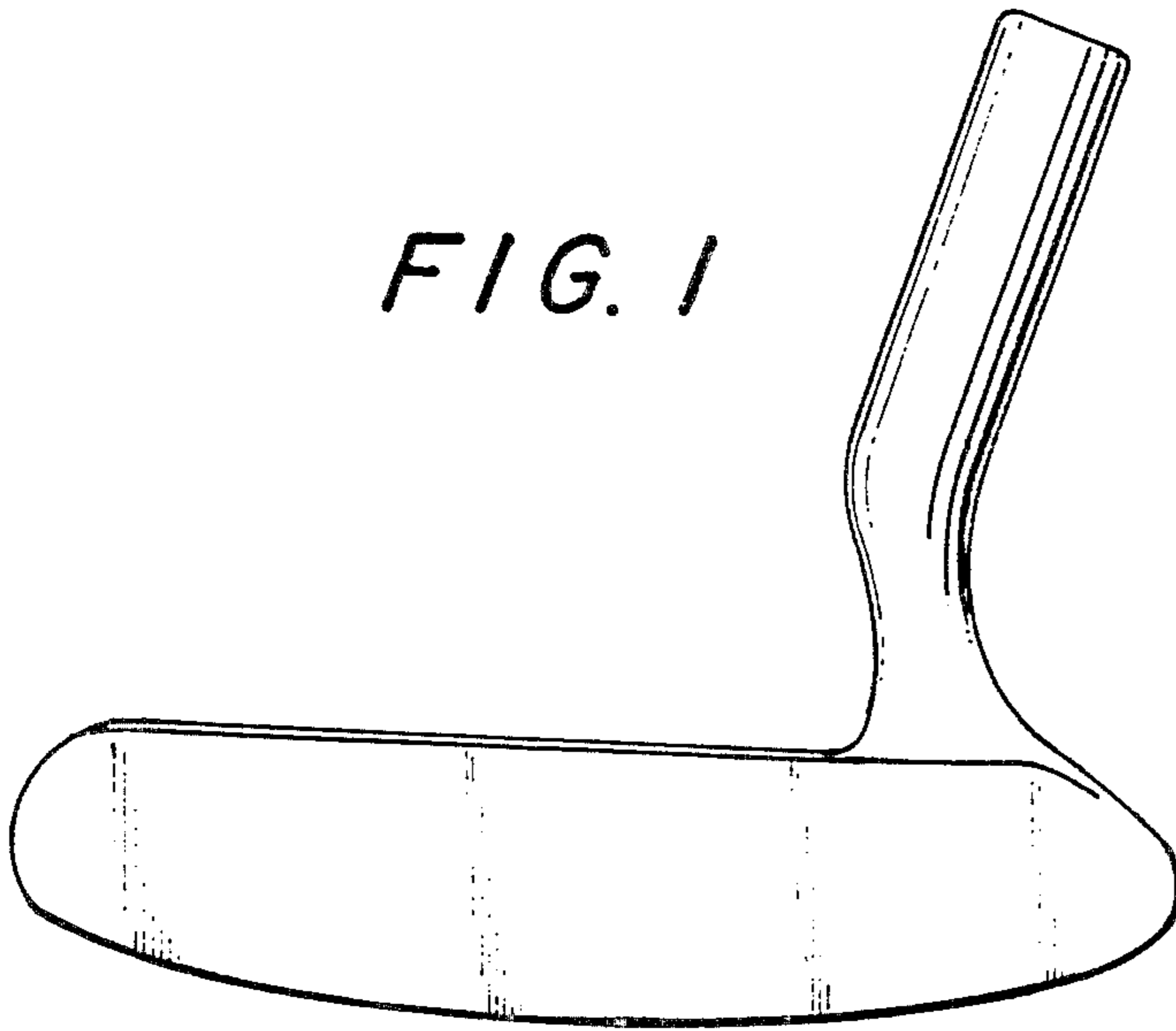
FIG. 4 is a bottom view thereof.

FIG. 5 is a right end view thereof.

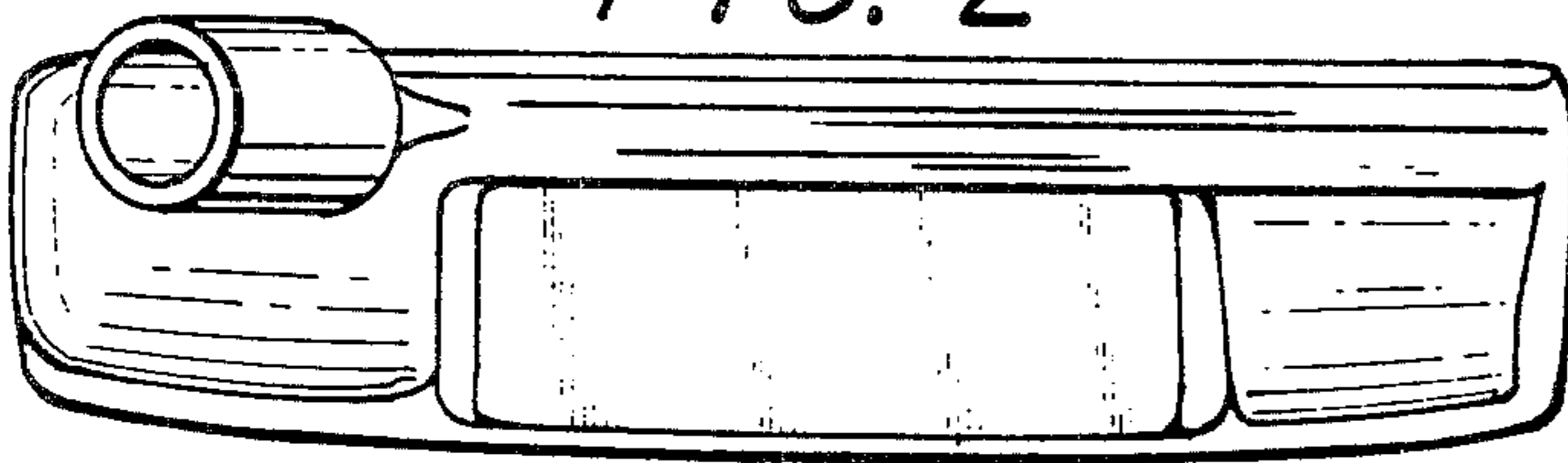
FIG. 6 is a left end view thereof.



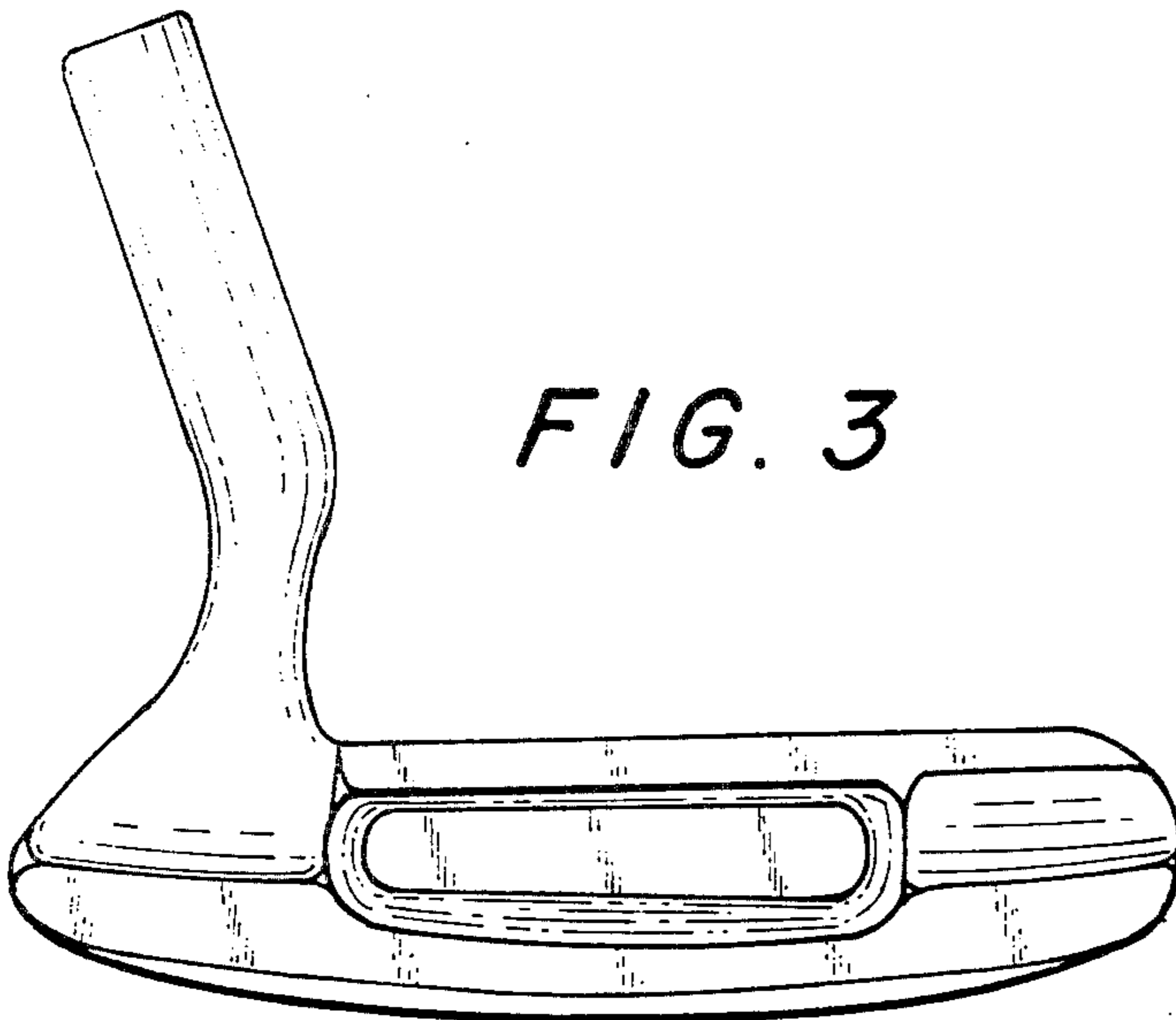
*FIG. 1*



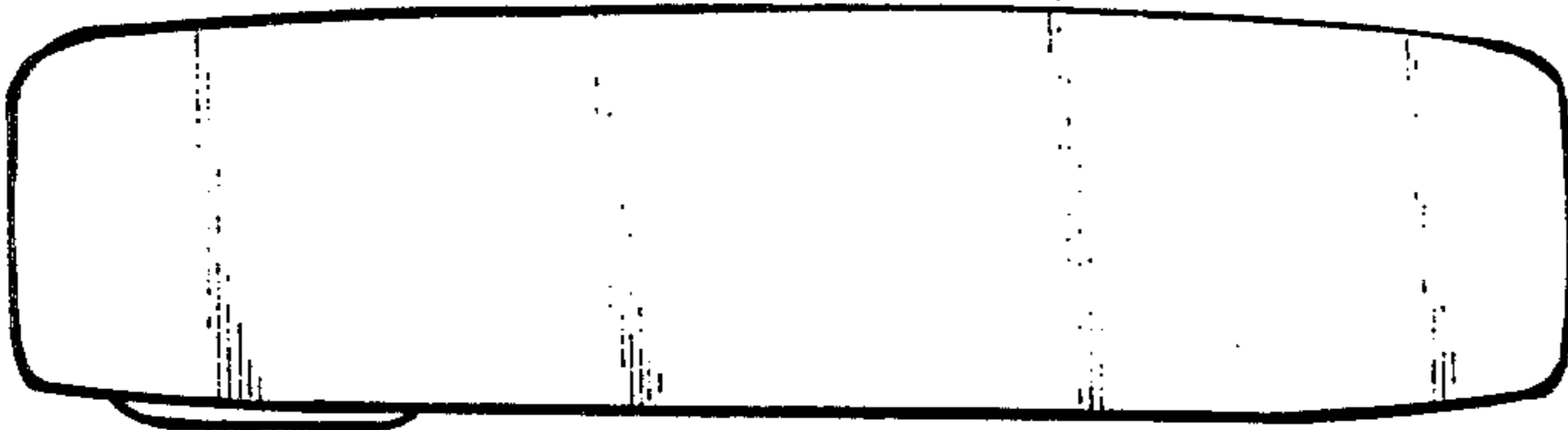
*FIG. 2*



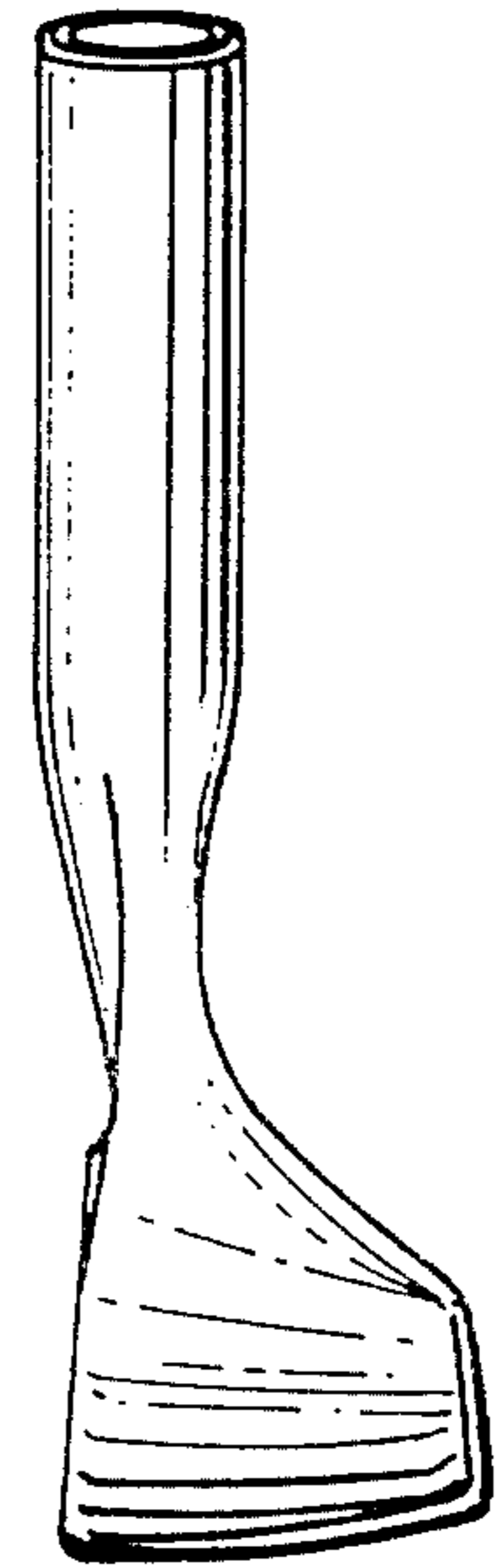
*FIG. 3*



*FIG. 4*



*FIG. 5*



*FIG. 6*

