

[54] LOUDSPEAKER

[75] Inventor: Eise W. Clason, Nuenen, Netherlands

[73] Assignee: U.S. Philips Corporation, New York, N.Y.

[**] Term: 14 Years

[21] Appl. No.: 536,484

[22] Filed: Sep. 28, 1983

[30] Foreign Application Priority Data

Apr. 6, 1983 [GB] United Kingdom 1012350

[52] U.S. Cl. D14/33; D14/34

[58] Field of Search D14/30, 32-34, D14/37-39; 179/146 R, 146 E, 179

[56] References Cited

U.S. PATENT DOCUMENTS

D. 264,208 5/1982 Matsubara D14/30

D. 267,403 12/1982 Gage D14/38

D. 276,153 10/1984 Iijima D14/34 X

OTHER PUBLICATIONS

High Fidelity, 5-82, p. 67, Shure 711 Speaker.
Stereo Review, 9-82, p. 22, Clarion SD5000 Speaker.

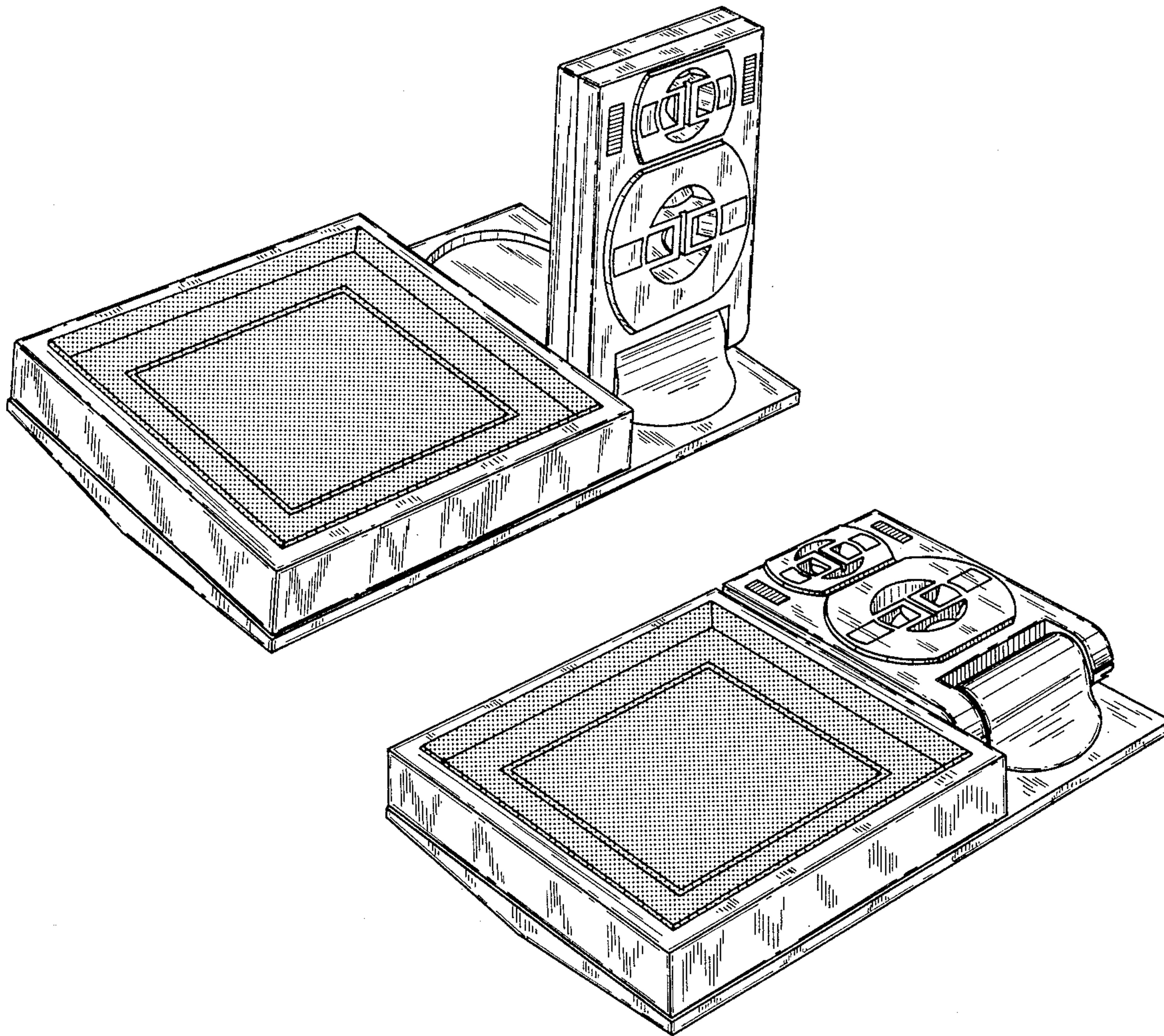
Primary Examiner—Jane E. Corrigan
Attorney, Agent, or Firm—Rolf E. Schneider

[57] CLAIM

The ornamental design for a loudspeaker, as shown and described.

DESCRIPTION

FIG. 1 is a front, top and left side perspective view of a loudspeaker showing my new design, the twin-dome unit being in its vertical position and the dot pattern indicating a conventional grille; FIG. 2 is a front elevational view thereof; FIG. 3 is a rear elevational view thereof; FIG. 4 is a top plan view thereof; FIG. 5 is a bottom plan view thereof; FIG. 6 is a left side elevational view thereof; FIG. 7 is a right side elevational view thereof; and FIG. 8 is a front, top and left side perspective view of the loudspeaker with the twin dome unit in its horizontal position.



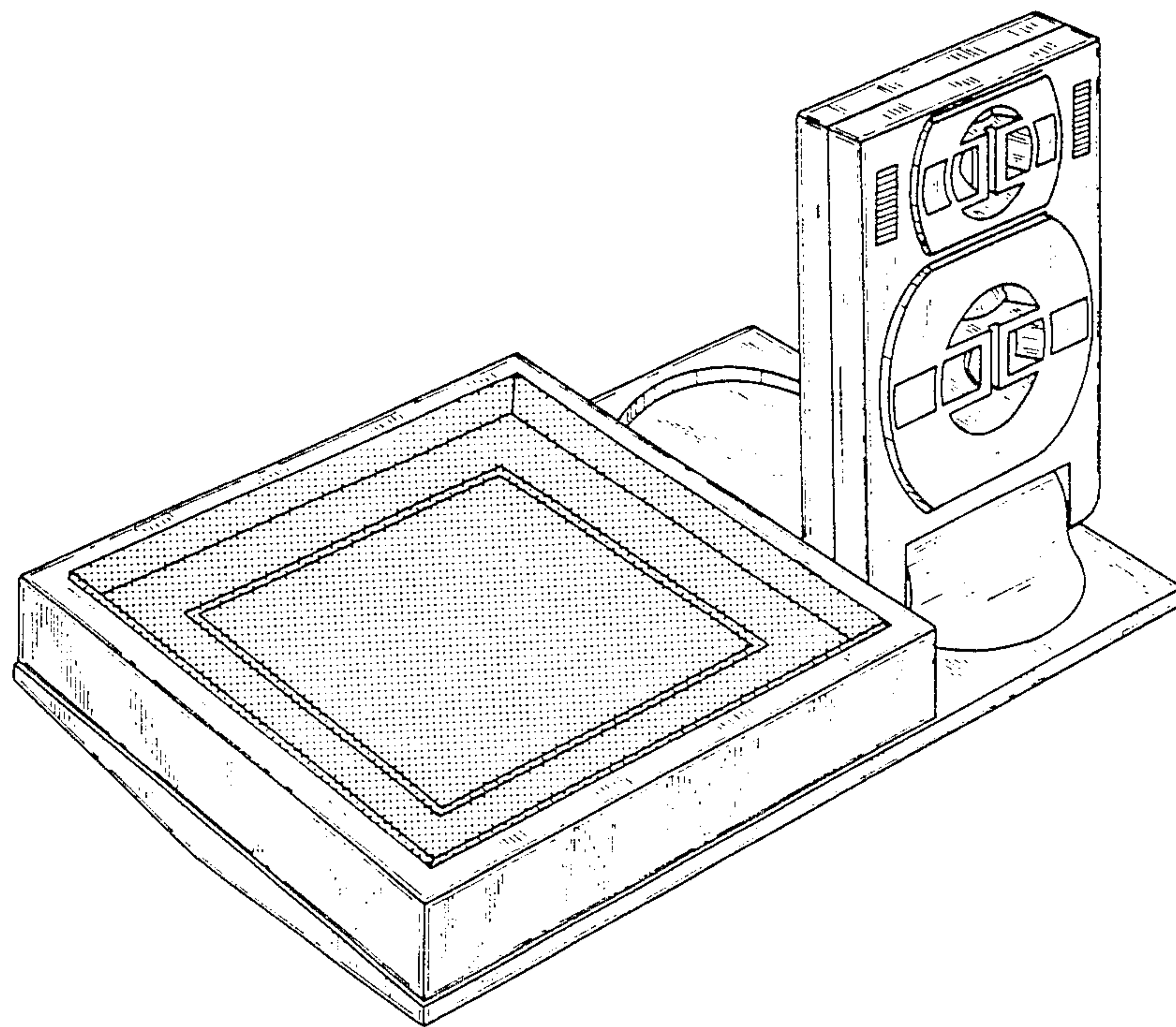


FIG. 1

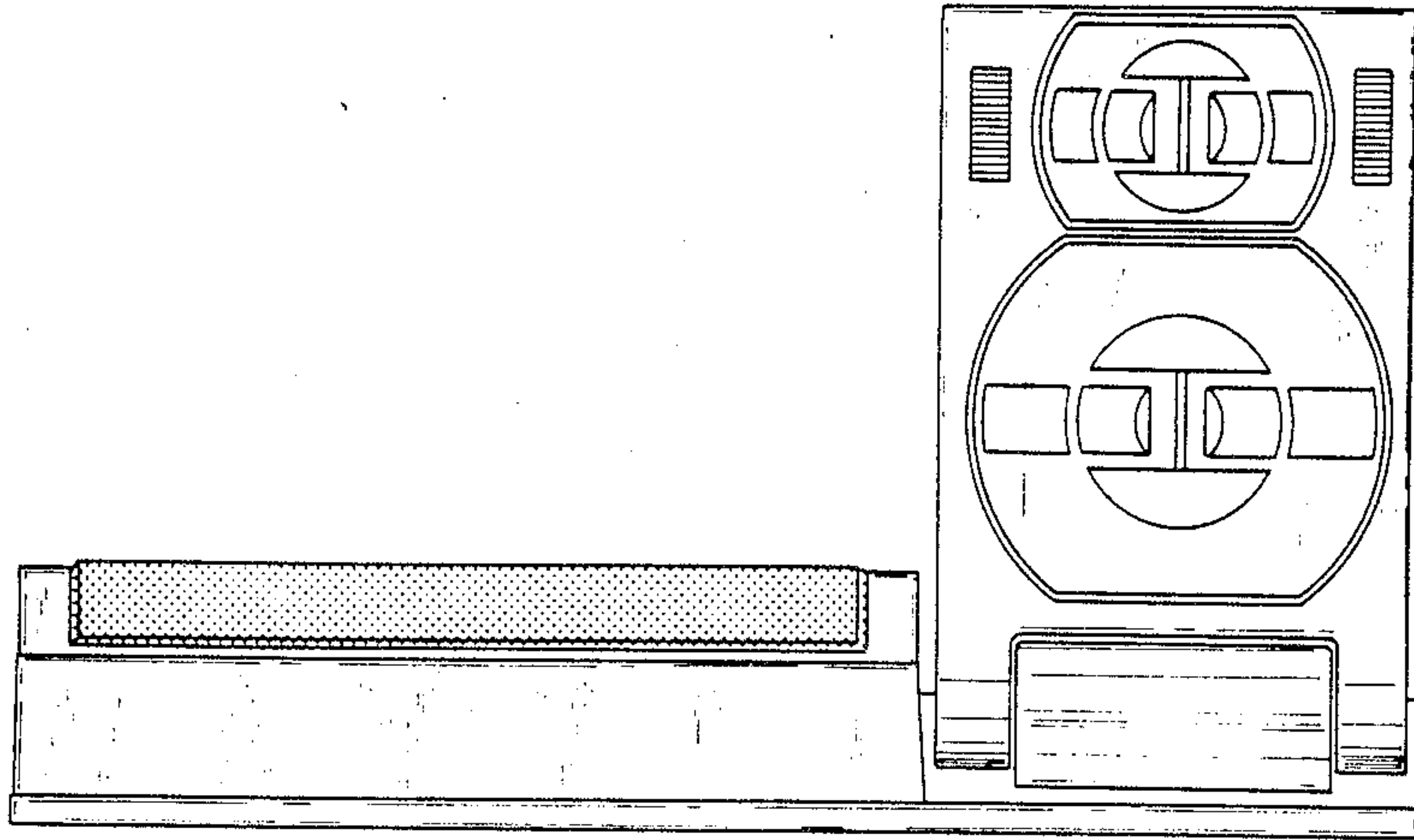


FIG. 2

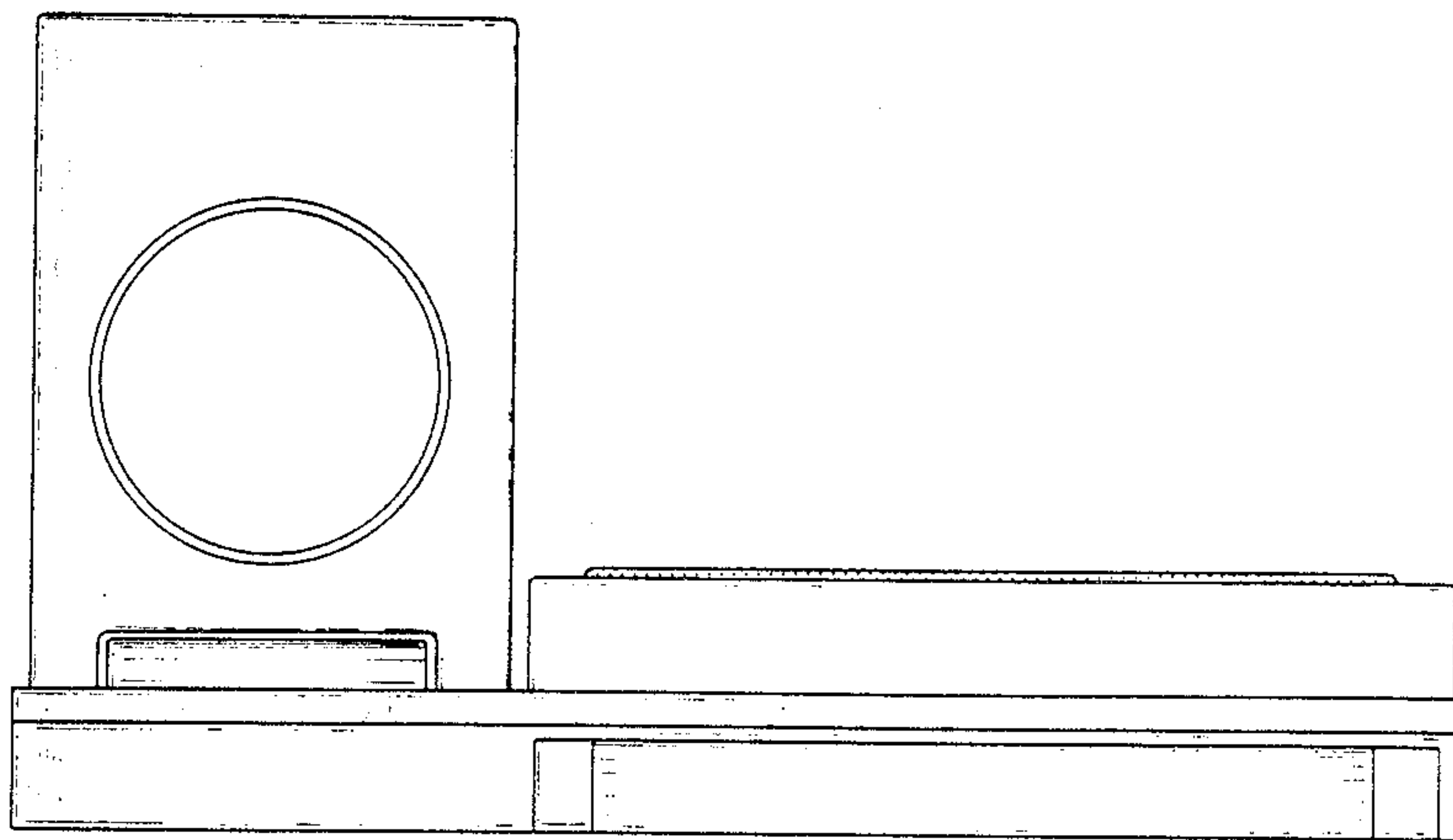


FIG. 3

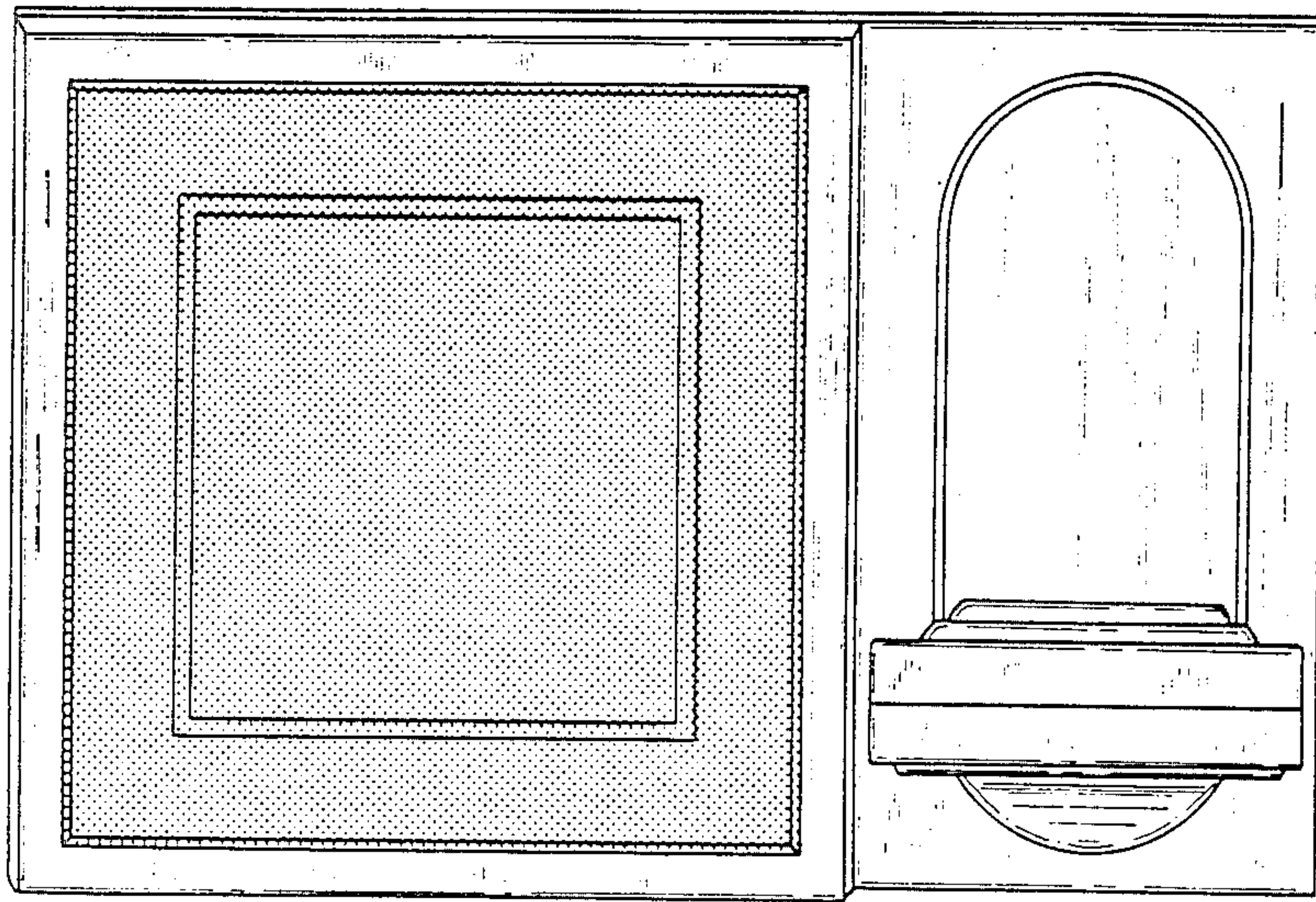


FIG. 4

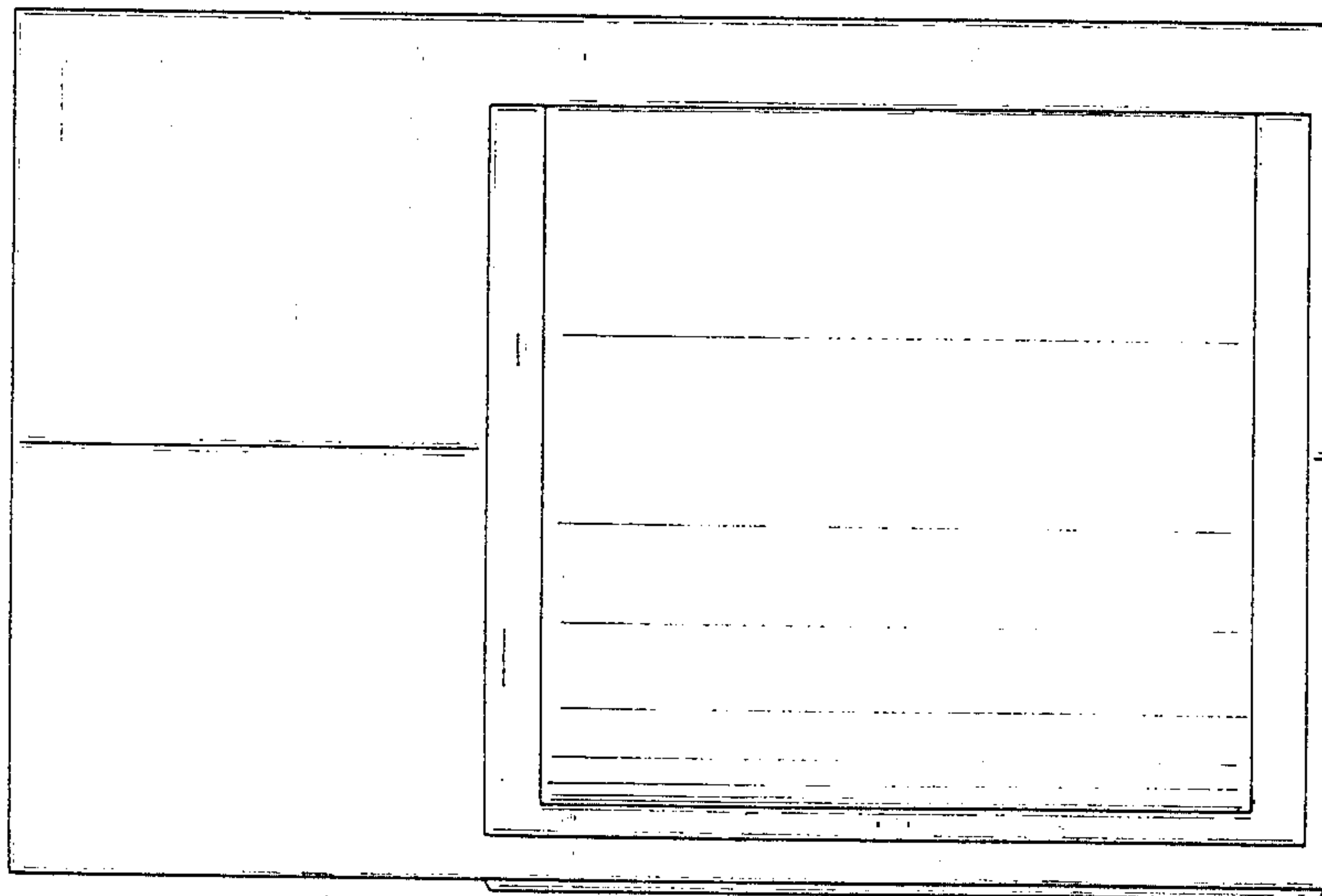


FIG. 5

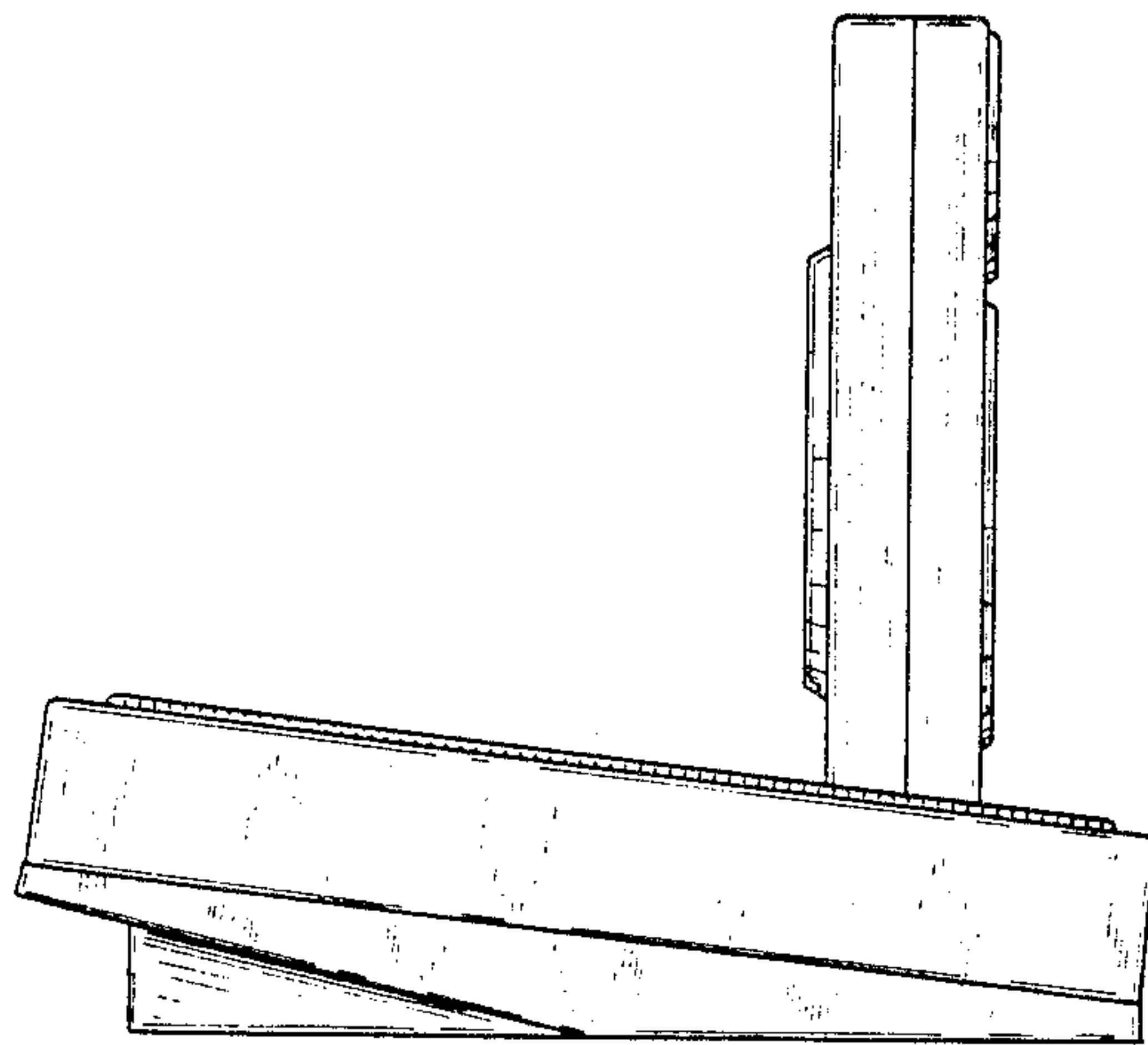


FIG. 6

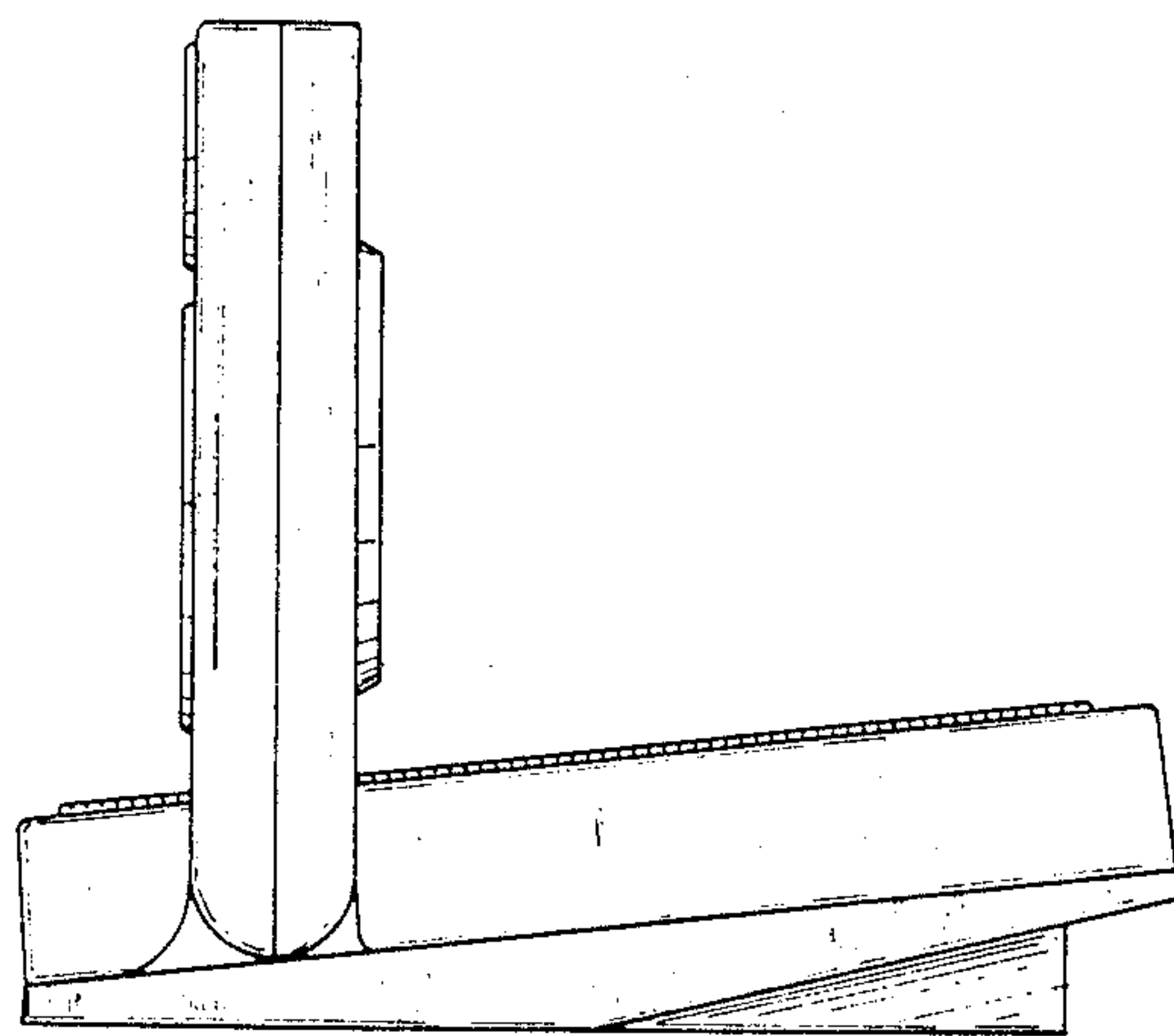


FIG. 7

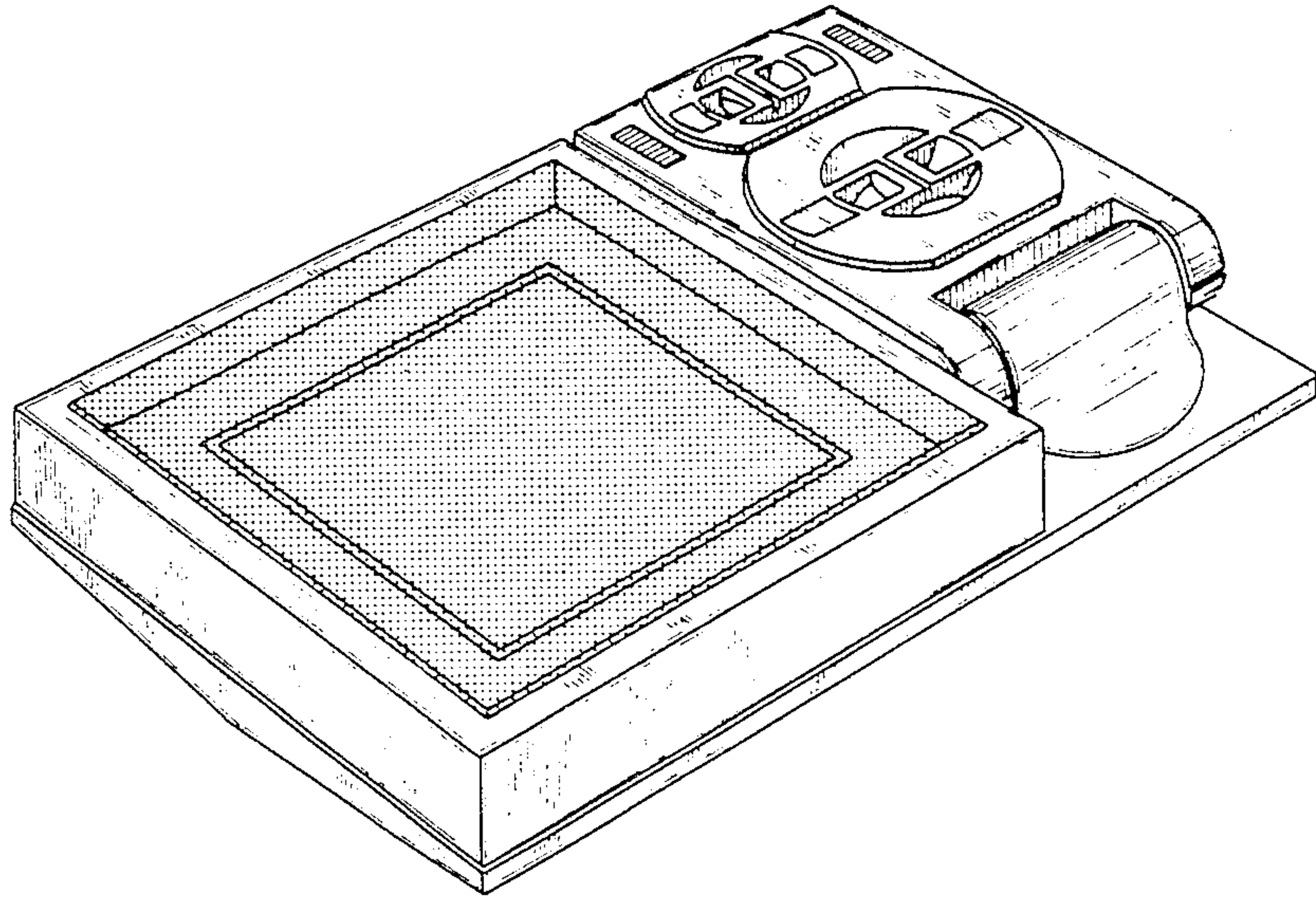


FIG. 8