

[54] WIRE CHANNEL

[75] Inventors: Göran N. Lööf, Gullspång; Lars Skarin, Otterbäcken, both of Sweden

[73] Assignee: Partex Fabriksaktiebolag, Gullspång, Sweden

[**] Term: 14 Years

[21] Appl. No.: 500,708

[22] Filed: Jun. 3, 1983

[30] Foreign Application Priority Data

Dec. 10, 1982 [SE] Sweden 822971

[52] U.S. Cl. D13/13

[58] Field of Search D13/13, 14, 24; 174/72 A, 72 R, 95-97, 68 C, 101; 138/156, 157, 162, 163, 166, 168, 169

[56] References Cited

U.S. PATENT DOCUMENTS

- 854,397 5/1907 Beach 138/157
- 2,921,607 1/1960 Caveney 174/72 A
- 3,890,459 6/1975 Caveney 174/72 A X
- 4,484,020 11/1984 Lööf et al. 174/72 A X

FOREIGN PATENT DOCUMENTS

- 0609177 2/1979 Switzerland 174/68 C
- 141284 3/1961 U.S.S.R. 174/97

Primary Examiner—Susan J. Lucas
Assistant Examiner—Clare E. Heflin
Attorney, Agent, or Firm—Sughrue, Mion, Zinn, Macpeak and Seas

[57] CLAIM

The ornamental design for a wire channel, as shown and described.

DESCRIPTION

FIG. 1 is a perspective view of a wire channel showing our new design;
 FIG. 2 is an end elevational view thereof;
 FIG. 3 is a perspective view thereof shown with the lid removed;
 FIG. 4 is an end elevational view thereof shown with the lid removed;
 FIG. 5 is a perspective view thereof shown with the lid removed and the sidewall projections engaged;
 FIG. 6 is an end elevational view thereof shown with the lid removed and the sidewall projections engaged;
 FIG. 7 is an end elevational view thereof shown with the lid removed and the sidewall projections engaged in an alternate position.
 The wire channel is shown broken away in FIGS. 1, 3 and 5 for illustrative purposes only.

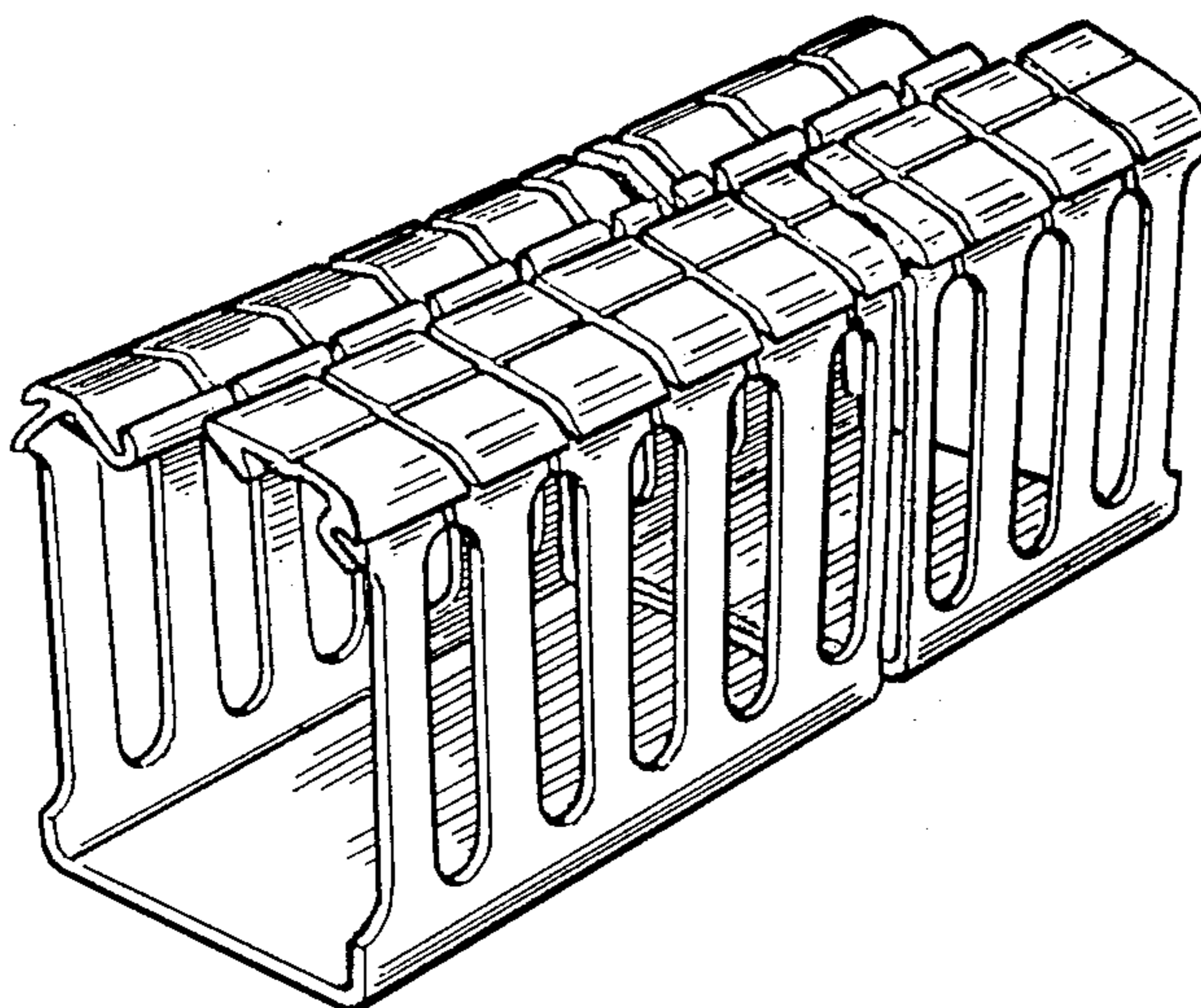


FIG. 1

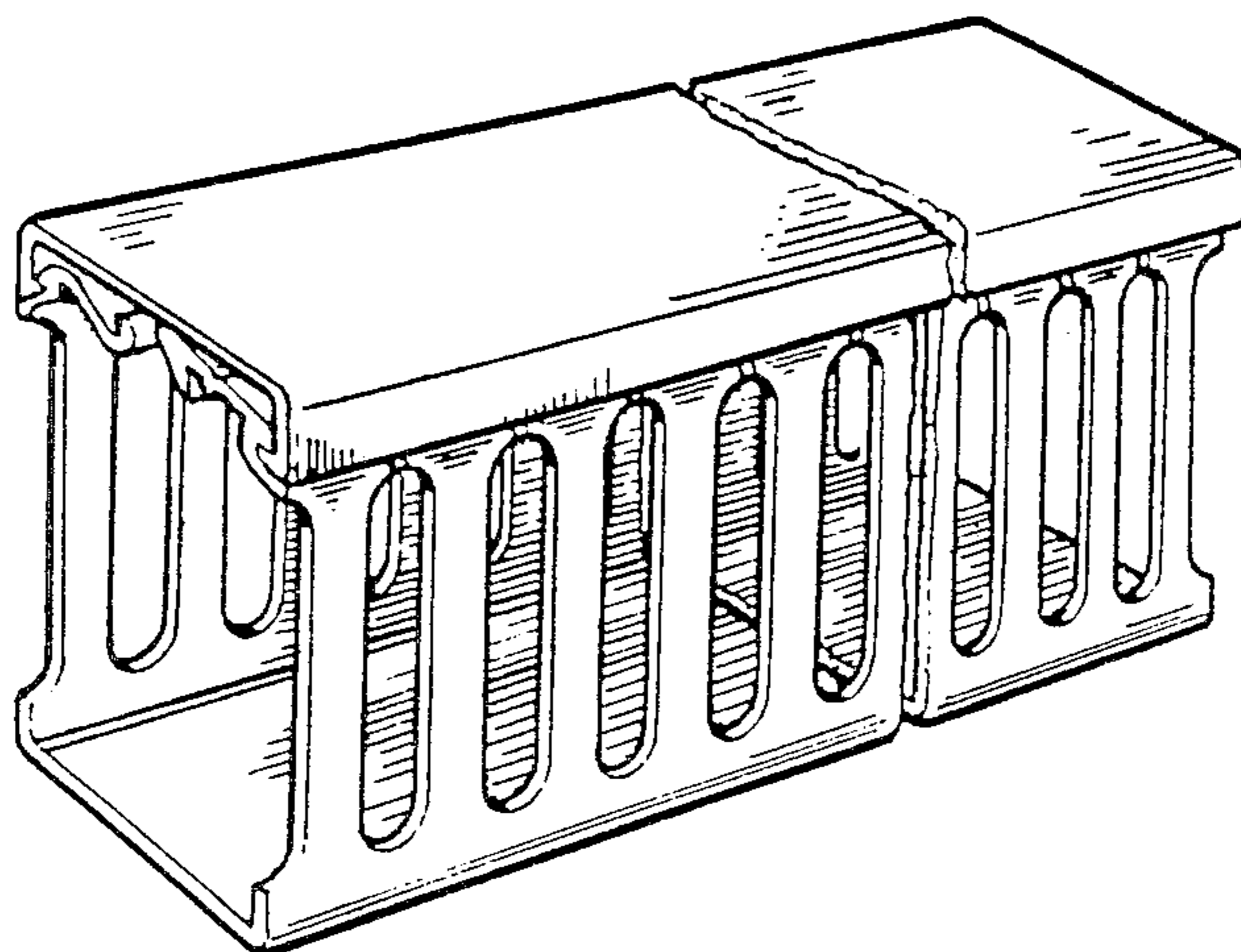


FIG. 2

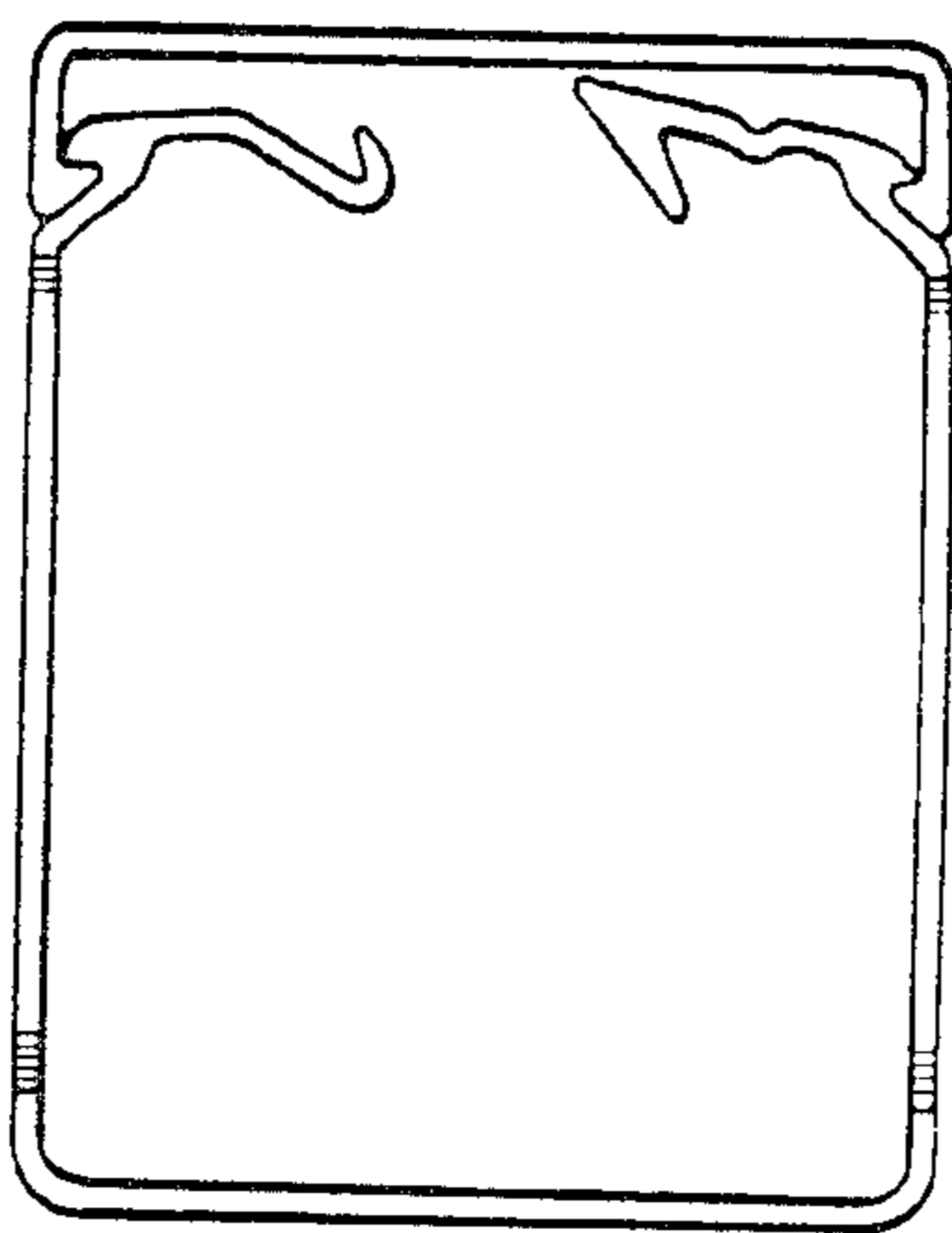


FIG. 3

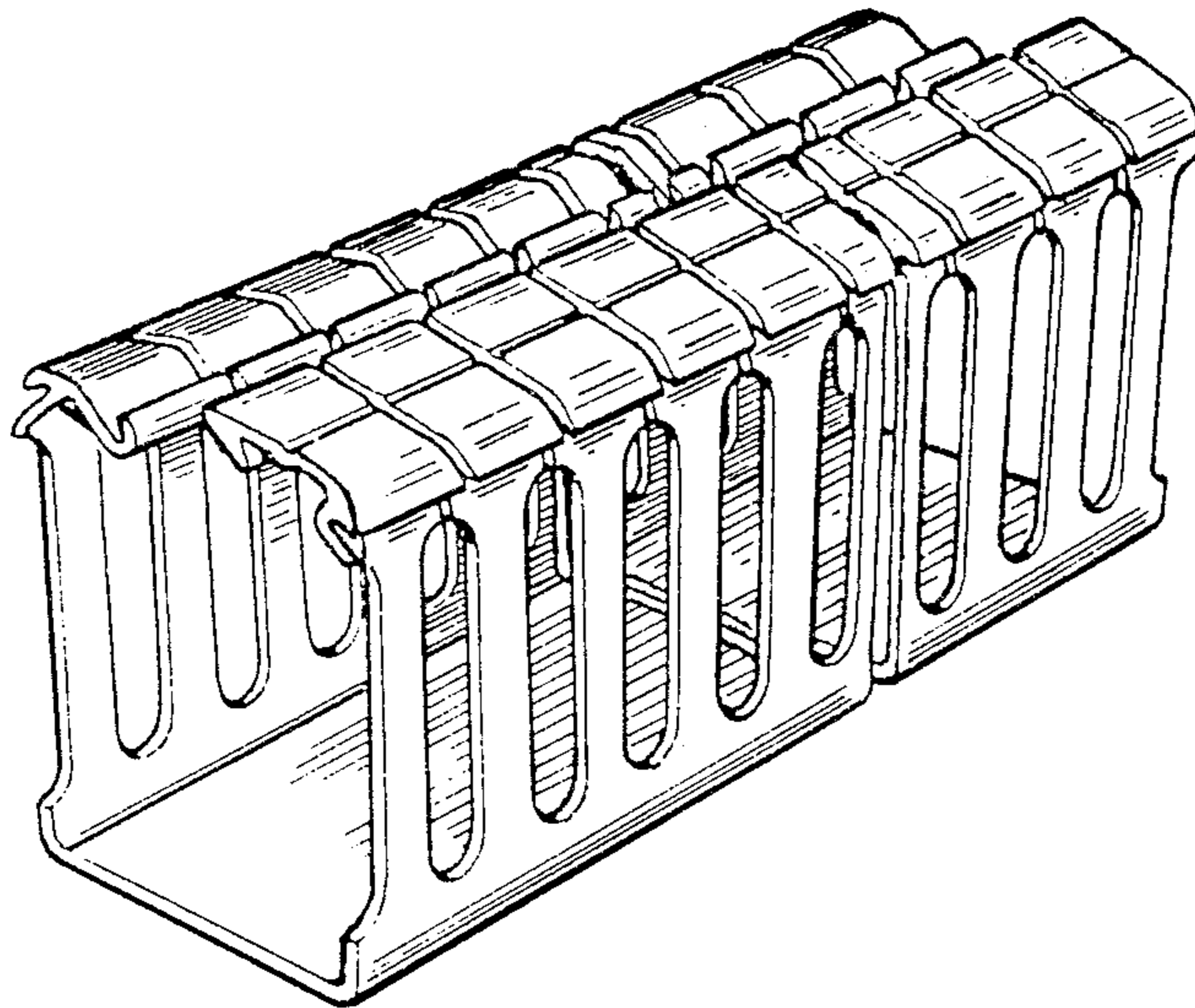


FIG. 4

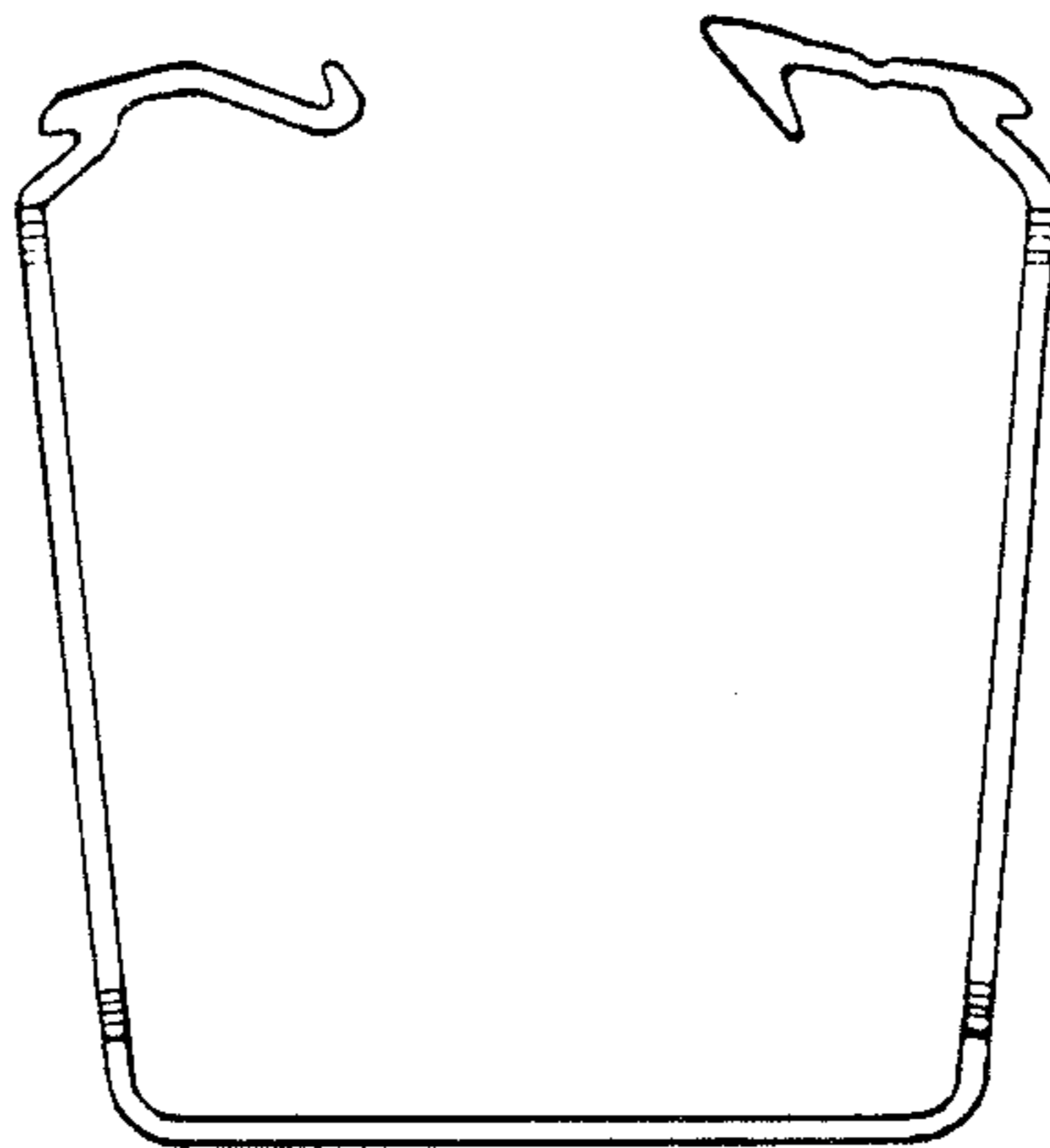


FIG. 5

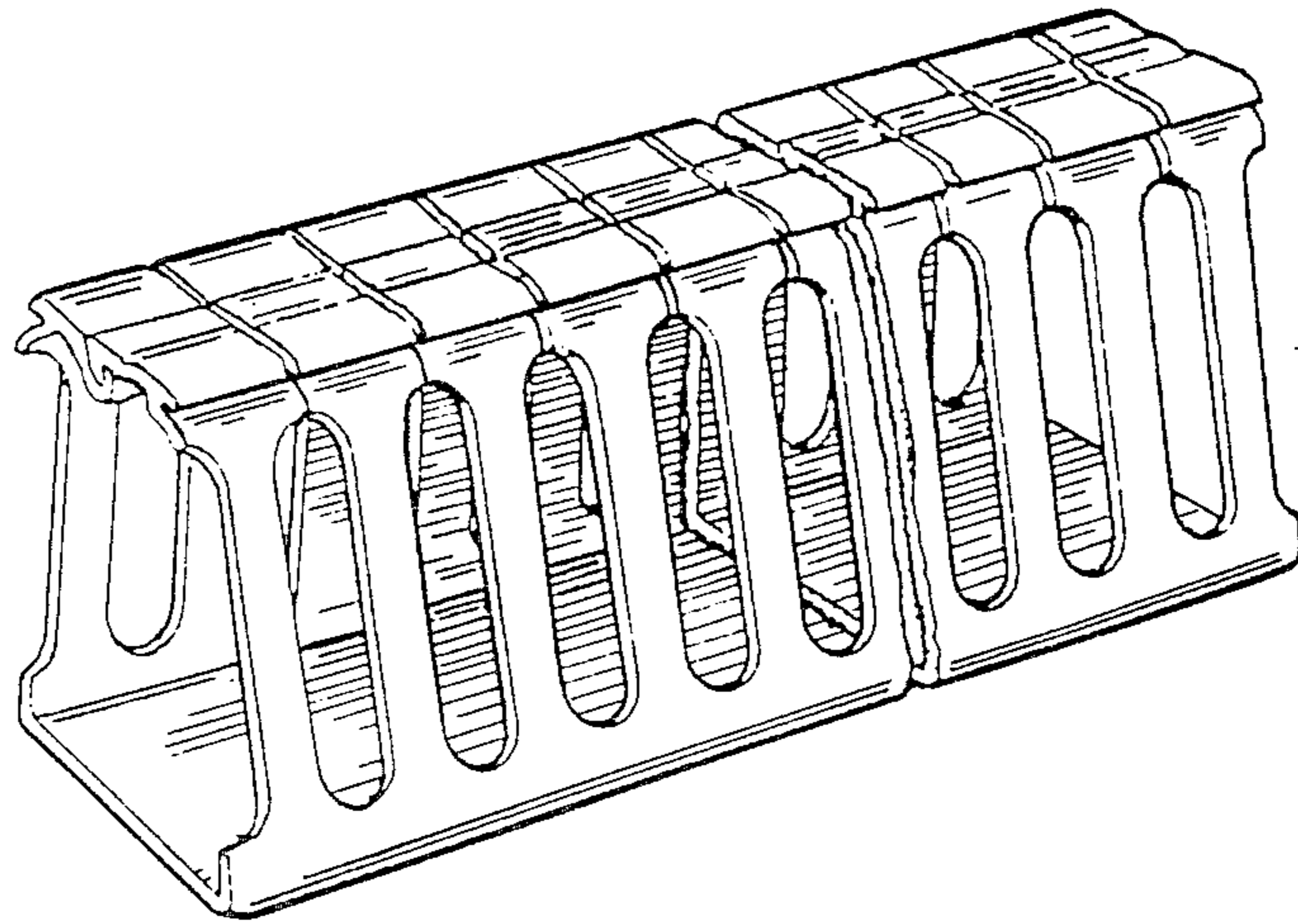


FIG. 6

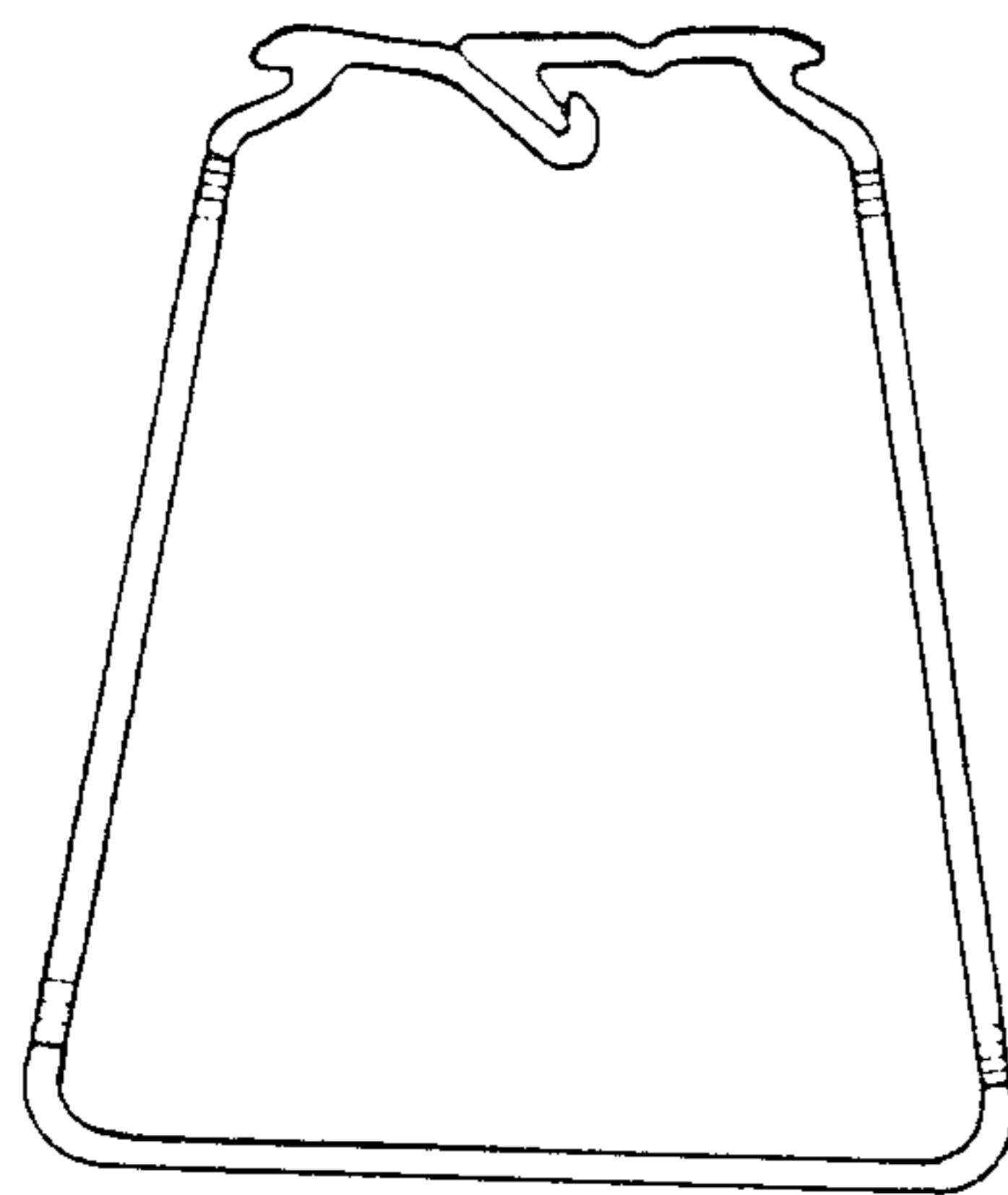


FIG. 7

