

[54] GAS SENSING DEVICE OR SIMILAR ARTICLE

[75] Inventors: John C. Schmidt, Baltimore; Eugene F. Fafaul, Timonium, both of Md.

[73] Assignee: Allied Corporation, Morristown, N.J.

[**] Term: 14 Years

[21] Appl. No.: 541,629

[22] Filed: Oct. 13, 1983

[52] U.S. Cl. D10/46; D10/81

[58] Field of Search D10/46, 81, 78, 103; 73/23, 431

[56] References Cited

U.S. PATENT DOCUMENTS

- D. 242,531 11/1976 Guimond D10/46
- D. 242,602 12/1976 Melvin D10/46
- D. 251,287 3/1979 Delfino D10/46 X
- 4,173,886 11/1979 Archbold 73/23
- 4,189,725 2/1980 Rowland 73/23 X

4,329,870 5/1982 Farmer 73/23

Primary Examiner—Nelson C. Holtje
Attorney, Agent, or Firm—Bruce L. Lamb

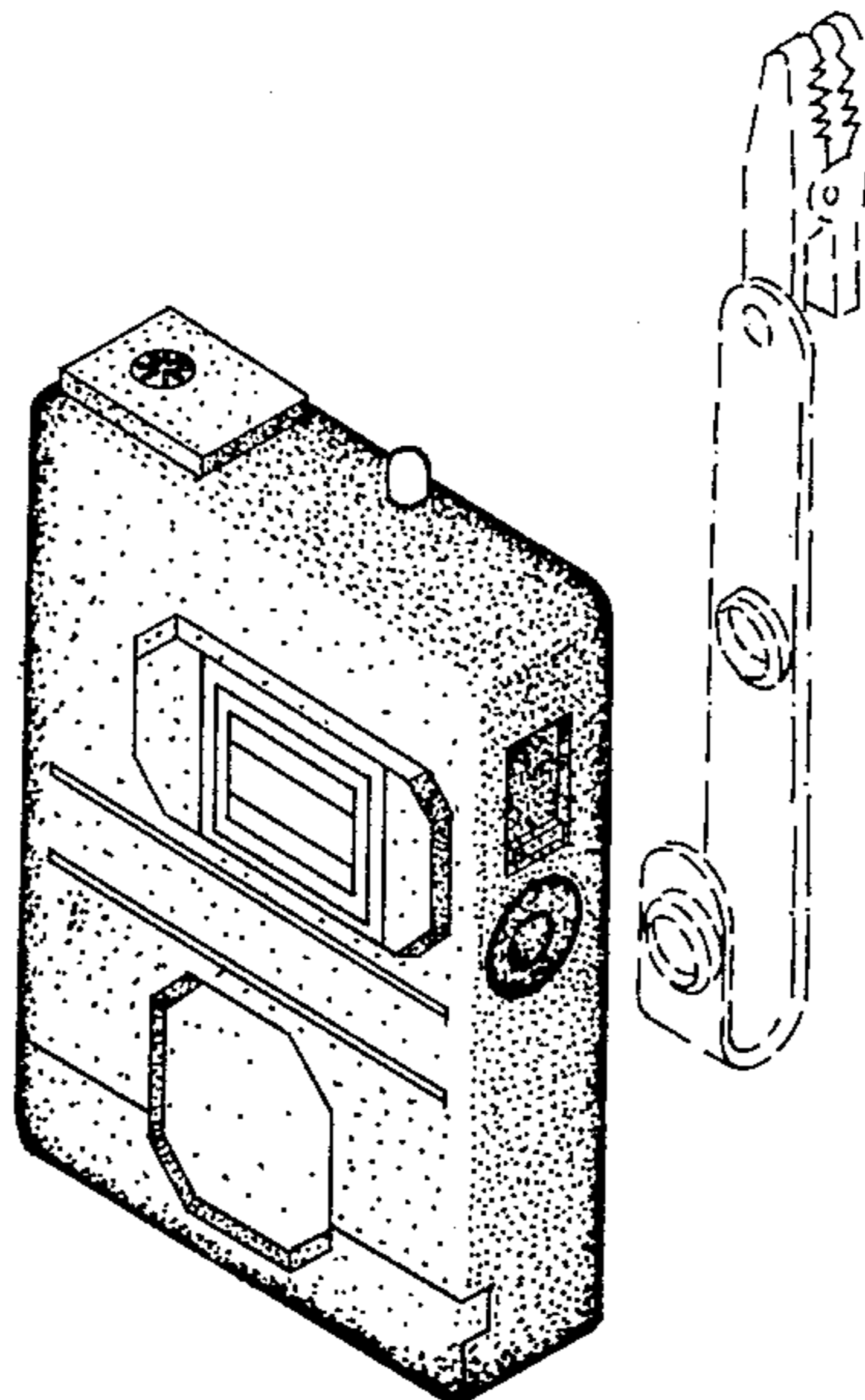
[57] CLAIM

The ornamental design for a gas sensing device or similar article, as shown and described.

DESCRIPTION

FIG. 1 is a front elevational view of a gas sensing device or similar article showing our new design;
 FIG. 2 is a rear elevational view thereof;
 FIG. 3 is a right side elevational view thereof;
 FIG. 4 is a left side elevational view thereof;
 FIG. 5 is a top plan view thereof;
 FIG. 6 is a bottom plan view thereof;
 FIG. 7 is a top and right front perspective view thereof on an enlarged scale.

The snaps shown in broken lines in FIGS. 2-6, and the associated strap and clip shown in FIG. 7 are for illustrative purposes only and form no part of the claimed design.



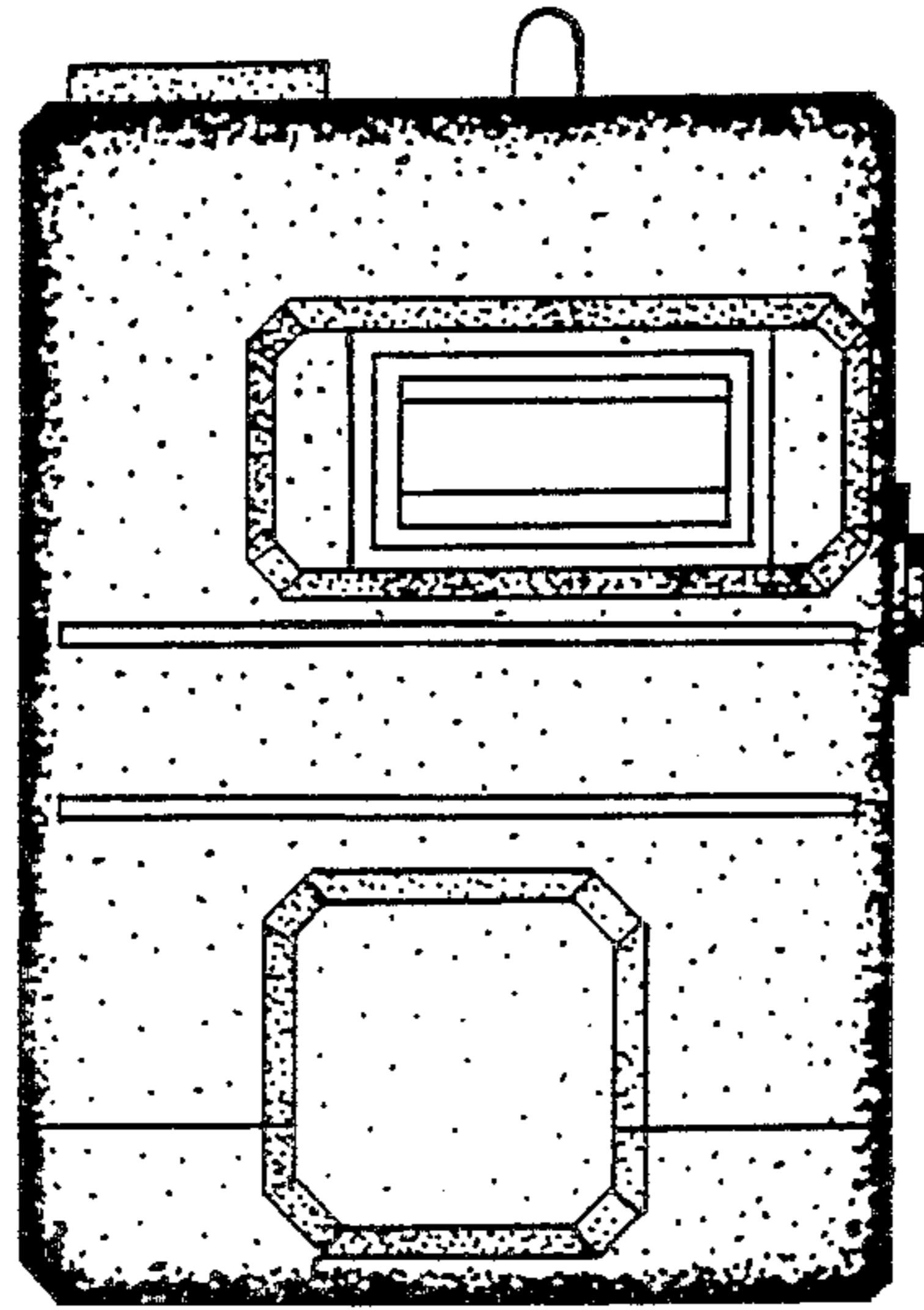


FIG. 1

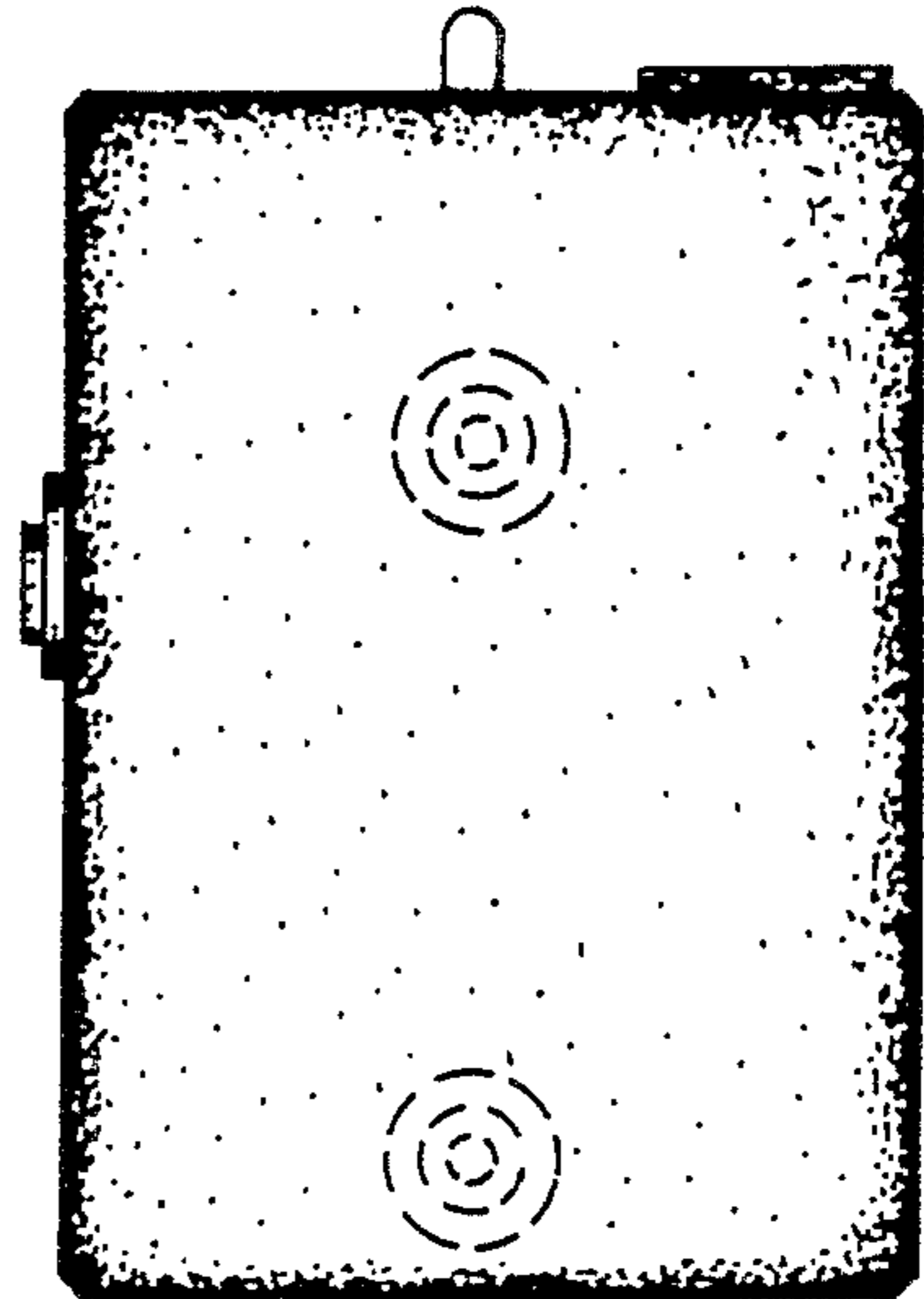


FIG. 2

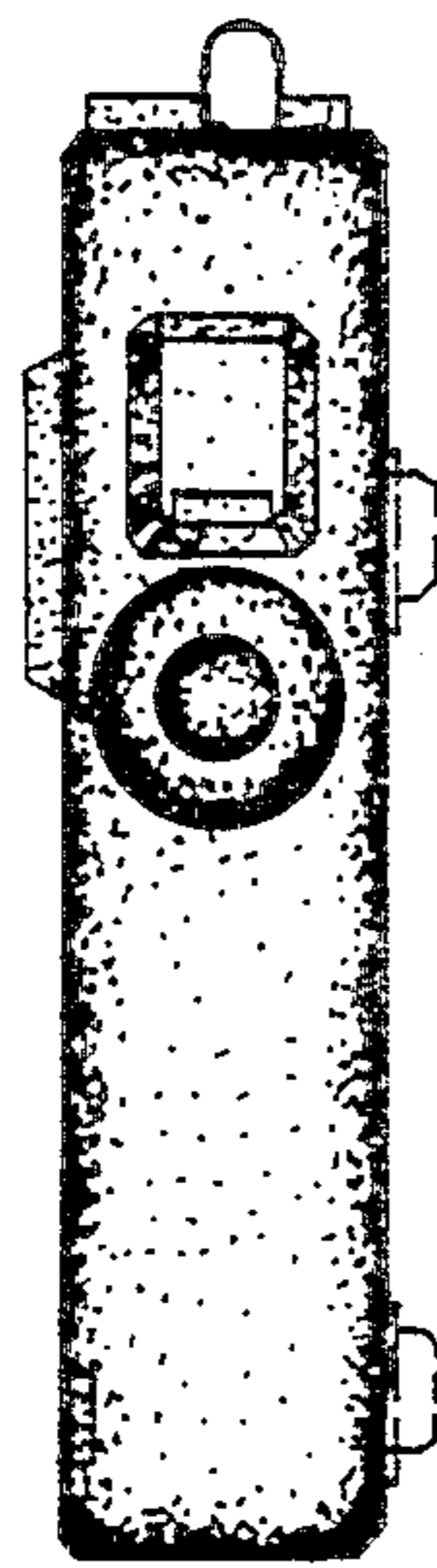


FIG. 3



FIG. 4

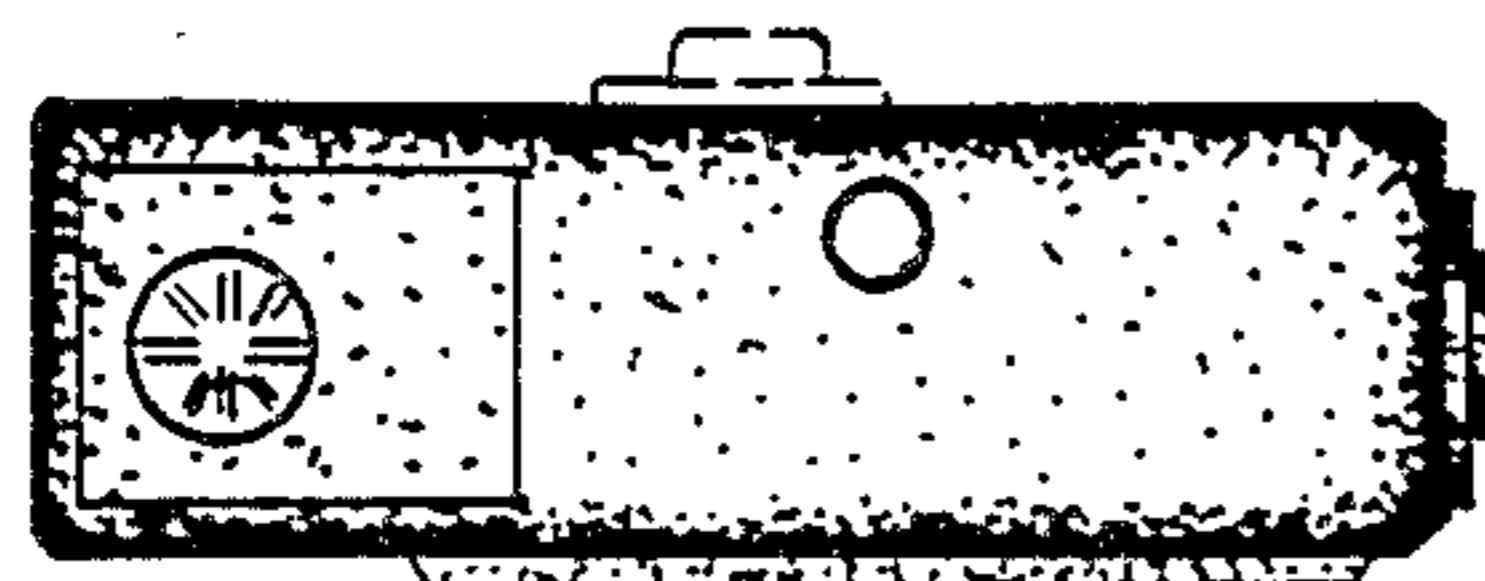


FIG. 5

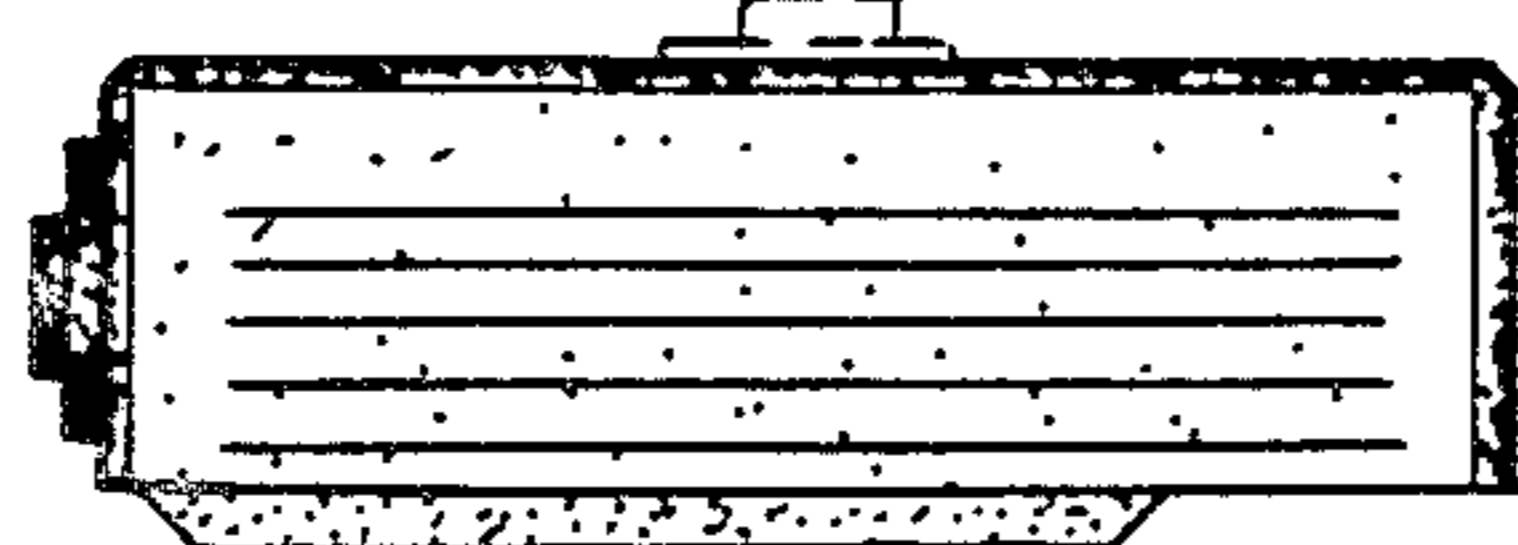


FIG. 6

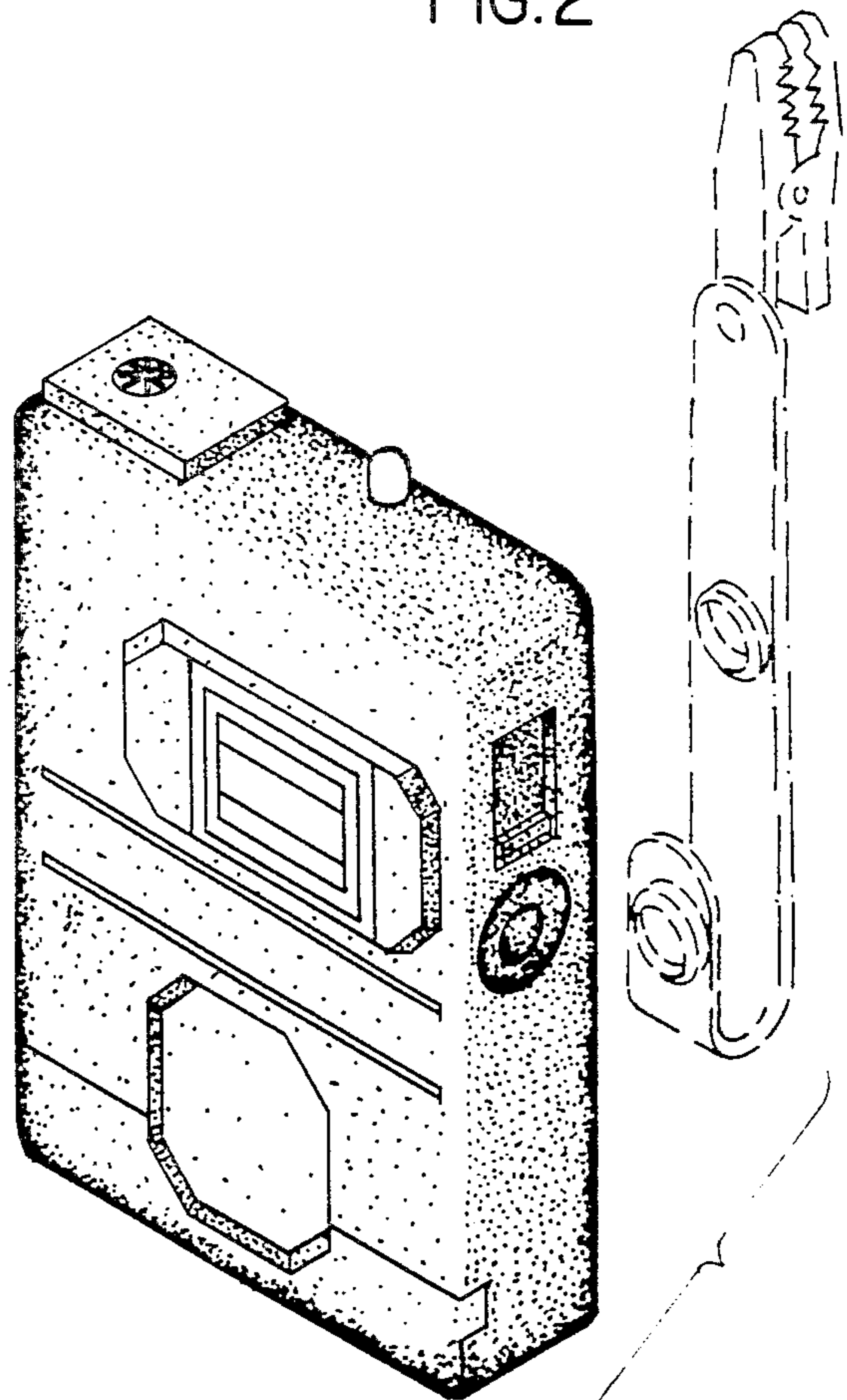


FIG. 7