

[54] SOAP CONTAINER

D. 262,923 2/1982 Broilliard D6/545
D. 264,183 5/1982 Schultz D9/413 X
3,391,824 7/1968 Wiseman D9/370 X

[75] Inventor: Robert L. Steiner, Chicago, Ill.

[73] Assignee: Steiner Company, Inc., Salt Lake City, Utah

Primary Examiner—Robert C. Spangler
Attorney, Agent, or Firm—Emrich & Dithmar

[**] Term: 14 Years

[57] CLAIM

[21] Appl. No.: 430,134

The ornamental design for a soap container, as shown and described.

[22] Filed: Sep. 30, 1982

DESCRIPTION

[52] U.S. Cl. D9/403; D9/413

[58] Field of Search D9/337, 341, 401, 403, D9/405, 409, 413, 414, 370; 215/1 R, 1 C

FIG. 1 is a side elevational view of a soap container showing my new design;

FIG. 2 is an elevational view looking from the right of FIG. 1;

FIG. 3 is a view showing the side opposite that seen in FIG. 1;

FIG. 4 is a top plan view;

FIG. 5 is a bottom plan view; and

FIG. 6 is a sectional view taken along line 6—6 in FIG. 1.

[56] References Cited

U.S. PATENT DOCUMENTS

- D. 39,897 3/1909 Passano D9/413
- D. 89,681 4/1933 Crimmel et al. D9/413
- D. 229,612 12/1973 German D9/370
- D. 259,766 7/1981 Hartung D9/370

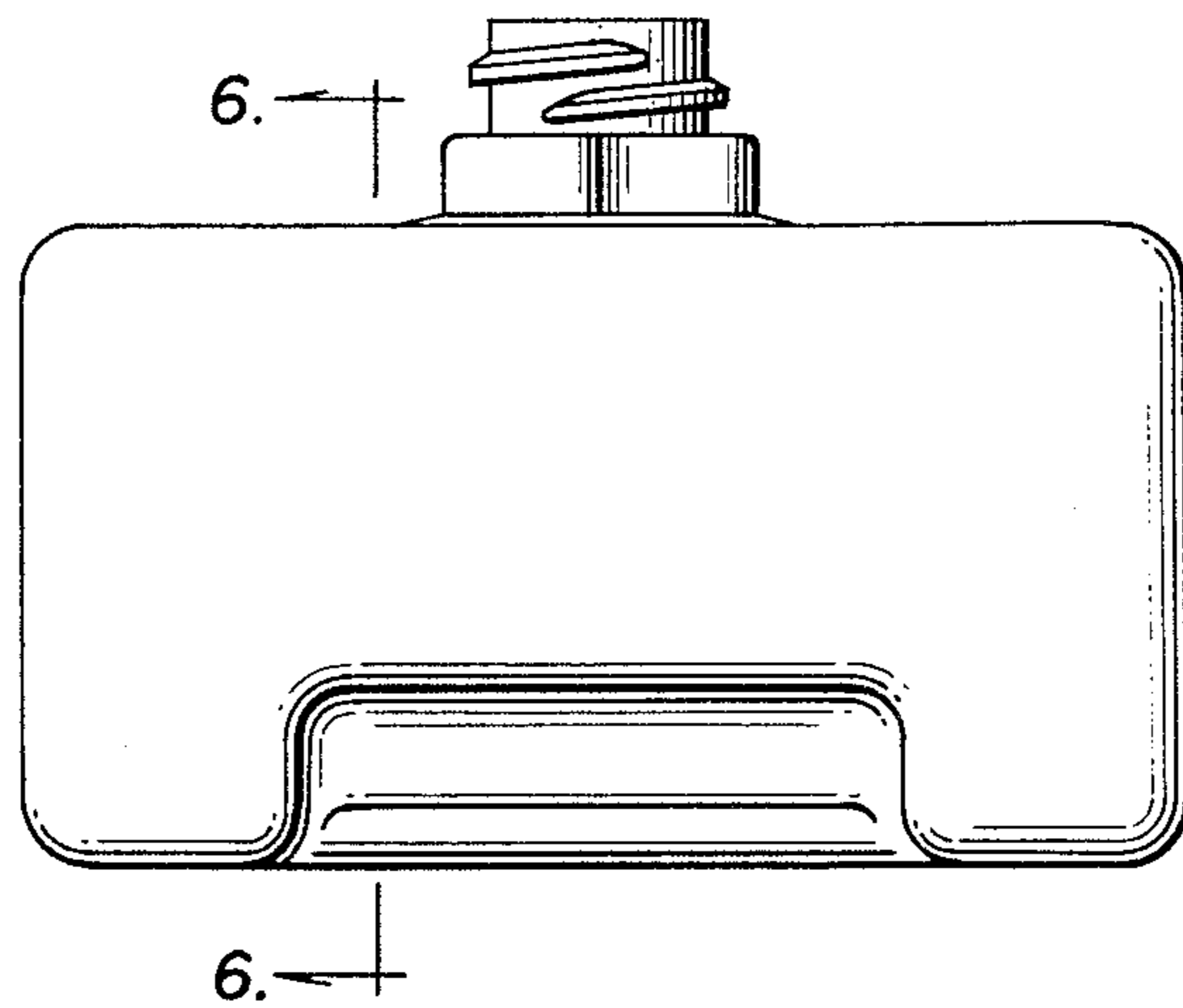


FIG. 1

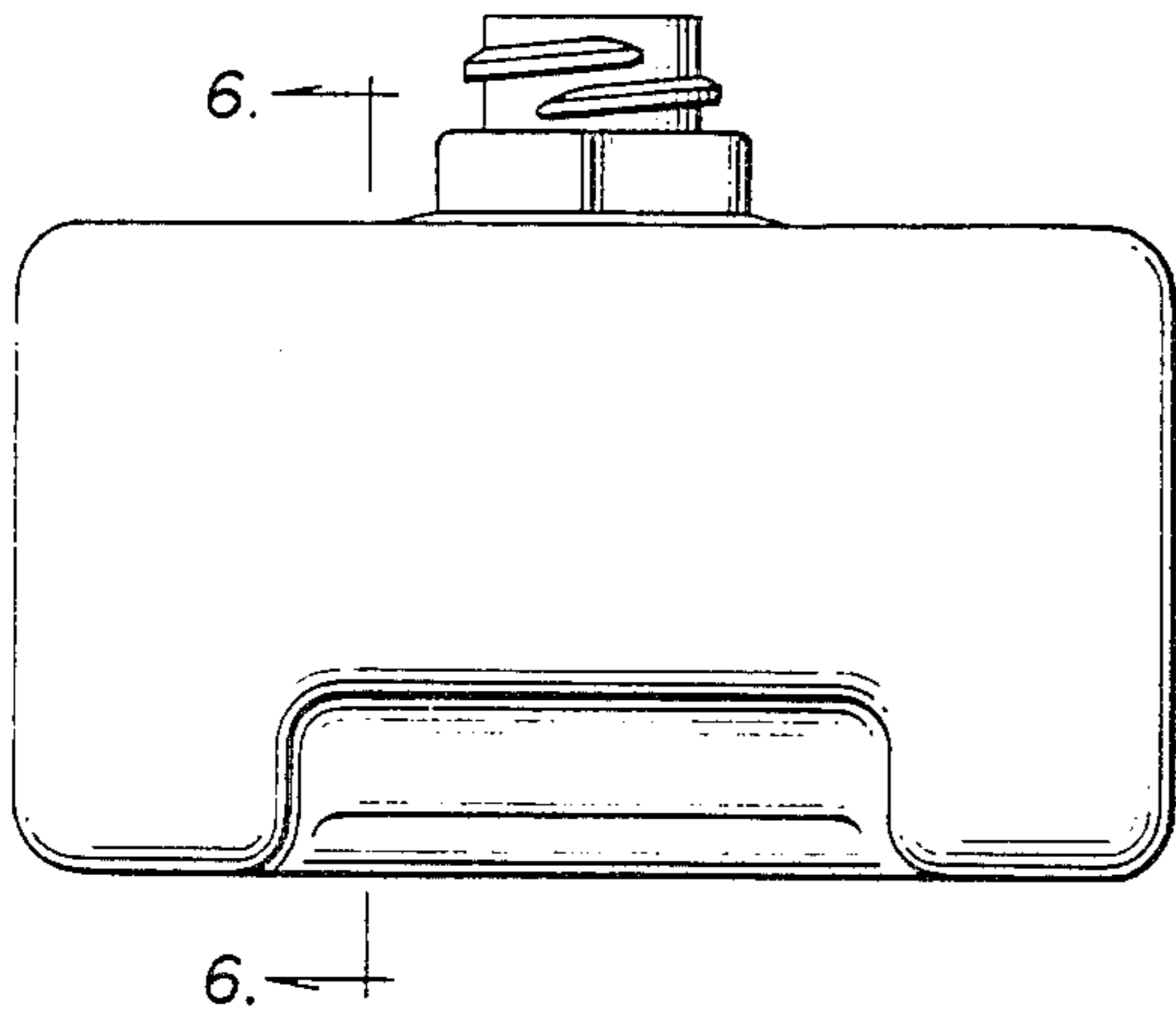


FIG. 2

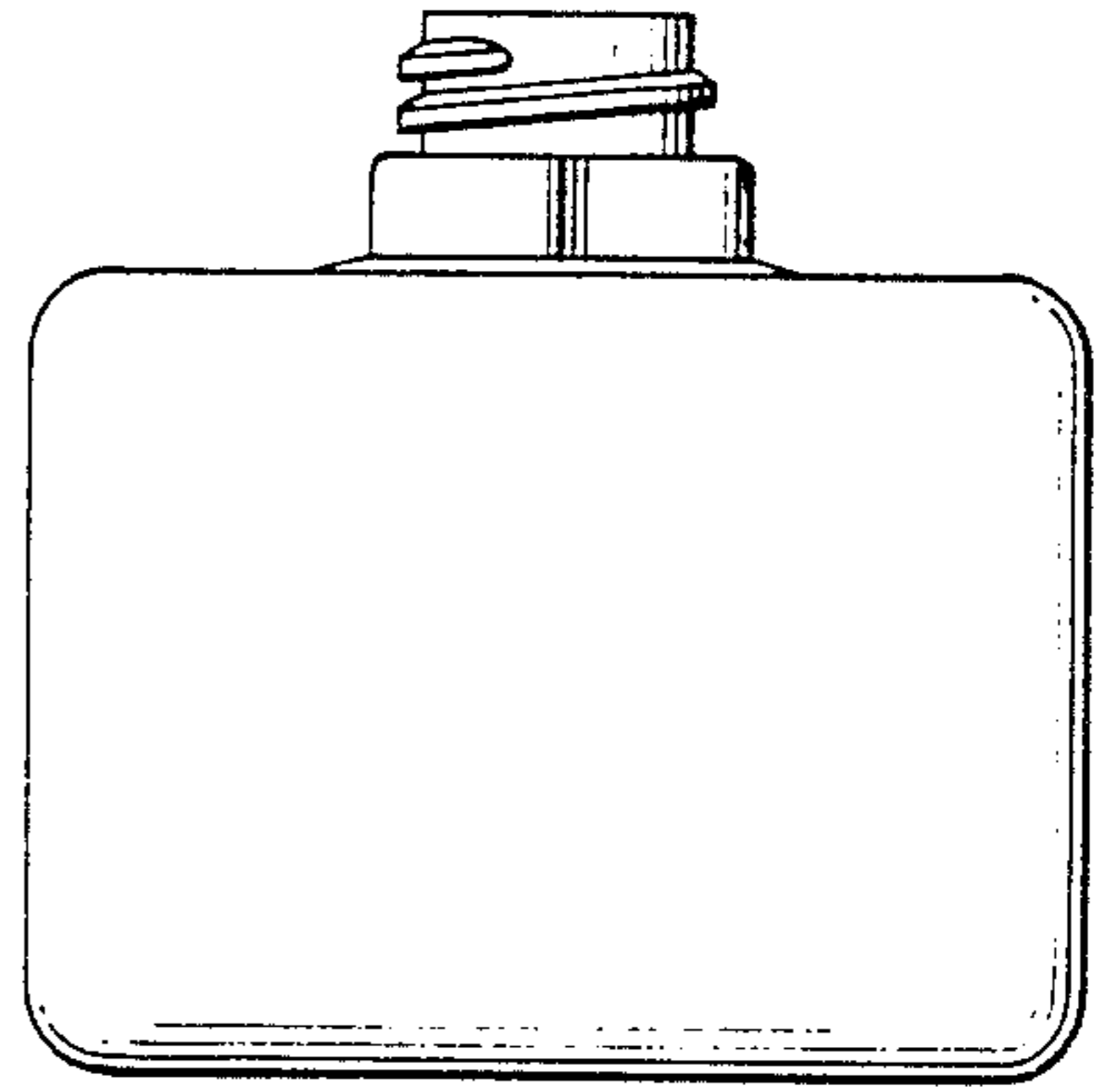


FIG. 3

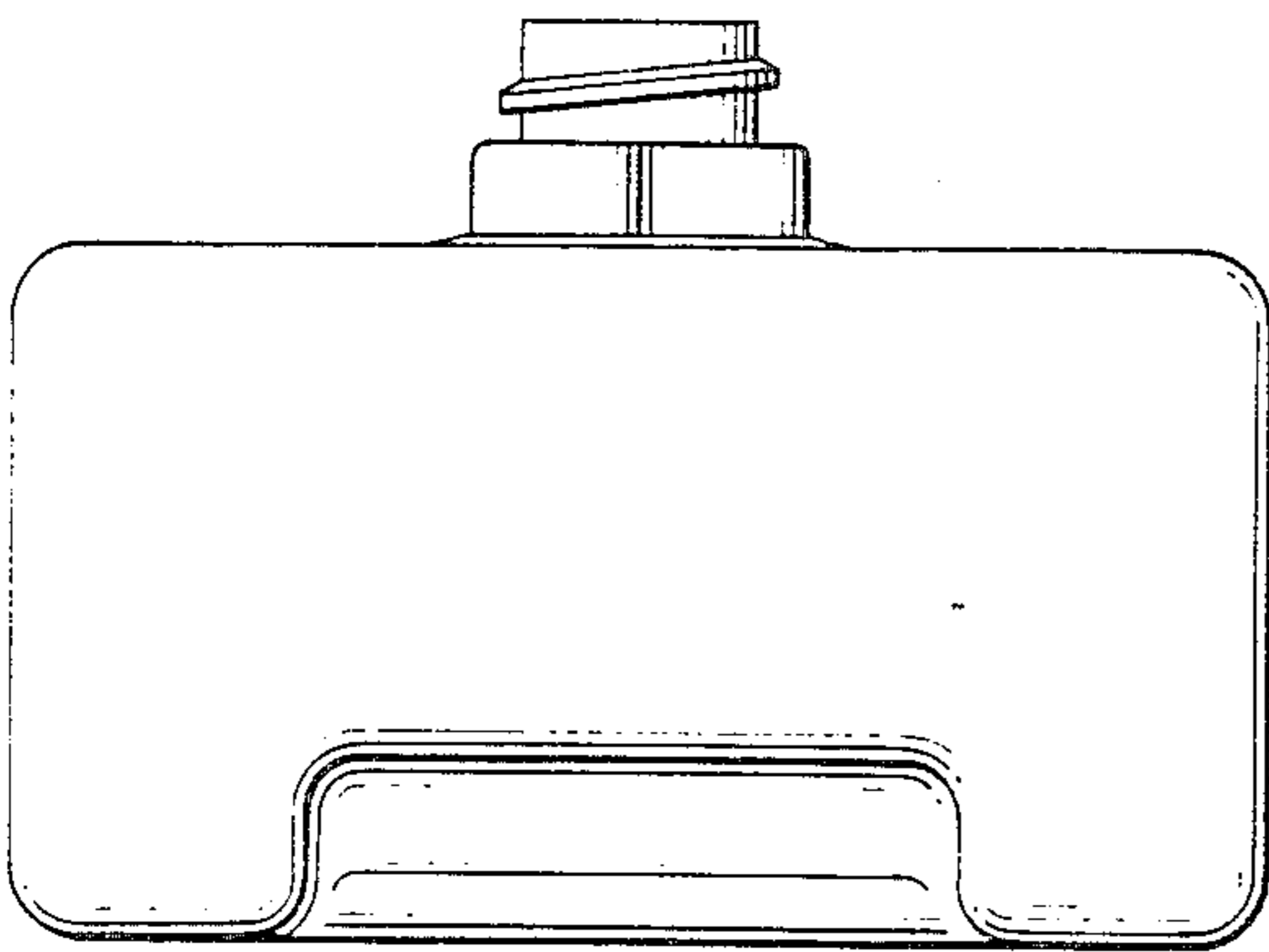


FIG. 4

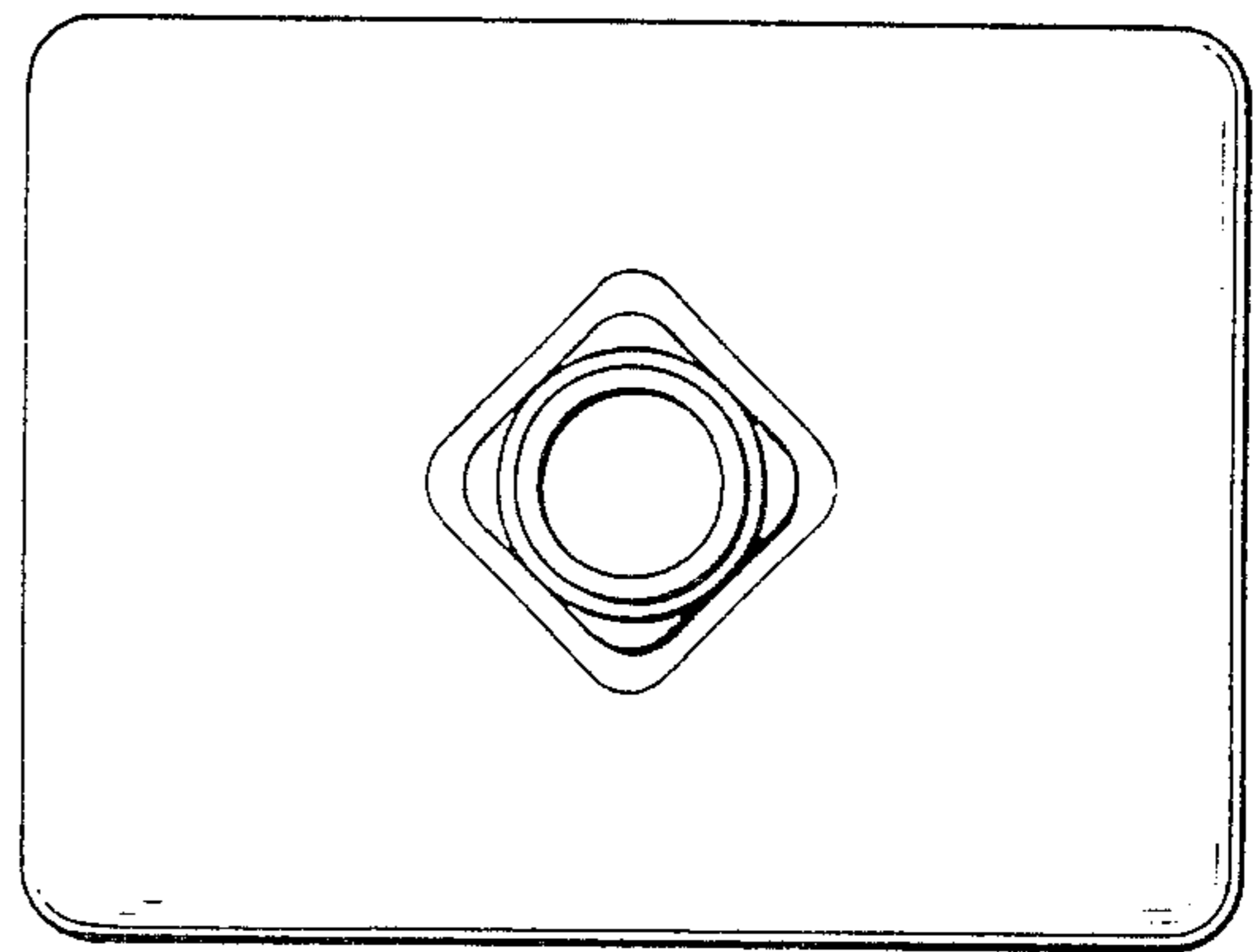


FIG. 5

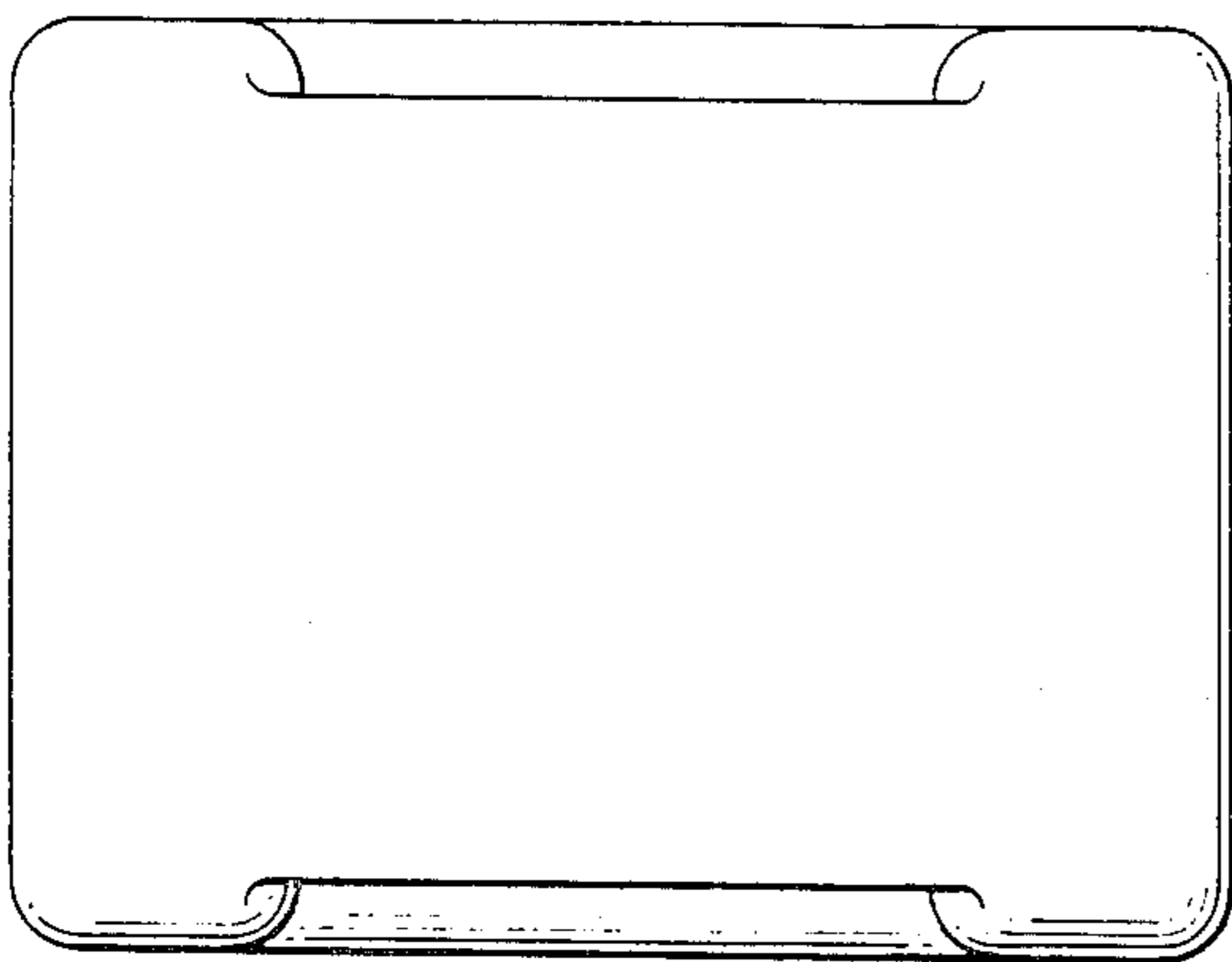


FIG. 6

