

[54] BARBECUE CART

[76] Inventor: Ronald Sustana, 225 Cook St., Rural Hall, N.C. 27045

[**] Term: 14 Years

[21] Appl. No.: 575,206

[22] Filed: Jan. 30, 1984

[52] U.S. Cl. D7/334

[58] Field of Search D7/331-337; 126/25 R, 25 A, 25 B, 29, 30, 9 R, 9 A, 9 B

[56] References Cited

U.S. PATENT DOCUMENTS

2,608,190	8/1952	Winning et al.	126/9 R
2,902,026	9/1959	Hathorn, Jr.	126/9 B

OTHER PUBLICATIONS

The American Home, Jun. 1956, p. 16, "Covered Wagon" Barbecue.

House & Garden, Jun. 1960, p. 41, Wheelbarrow Style Barbecue.

Primary Examiner—Wallace R. Burke

Assistant Examiner—Lynn Wilder

[57] CLAIM

The ornamental design for a barbecue cart, substantially as shown.

DESCRIPTION

FIG. 1 is a perspective view of a barbecue cart showing my new design;

FIG. 2 is a left side elevational view;

FIG. 3 is a right side elevational view;

FIG. 4 is a top plan view;

FIG. 5 is a front elevational view;

FIG. 6 is a rear elevational view.

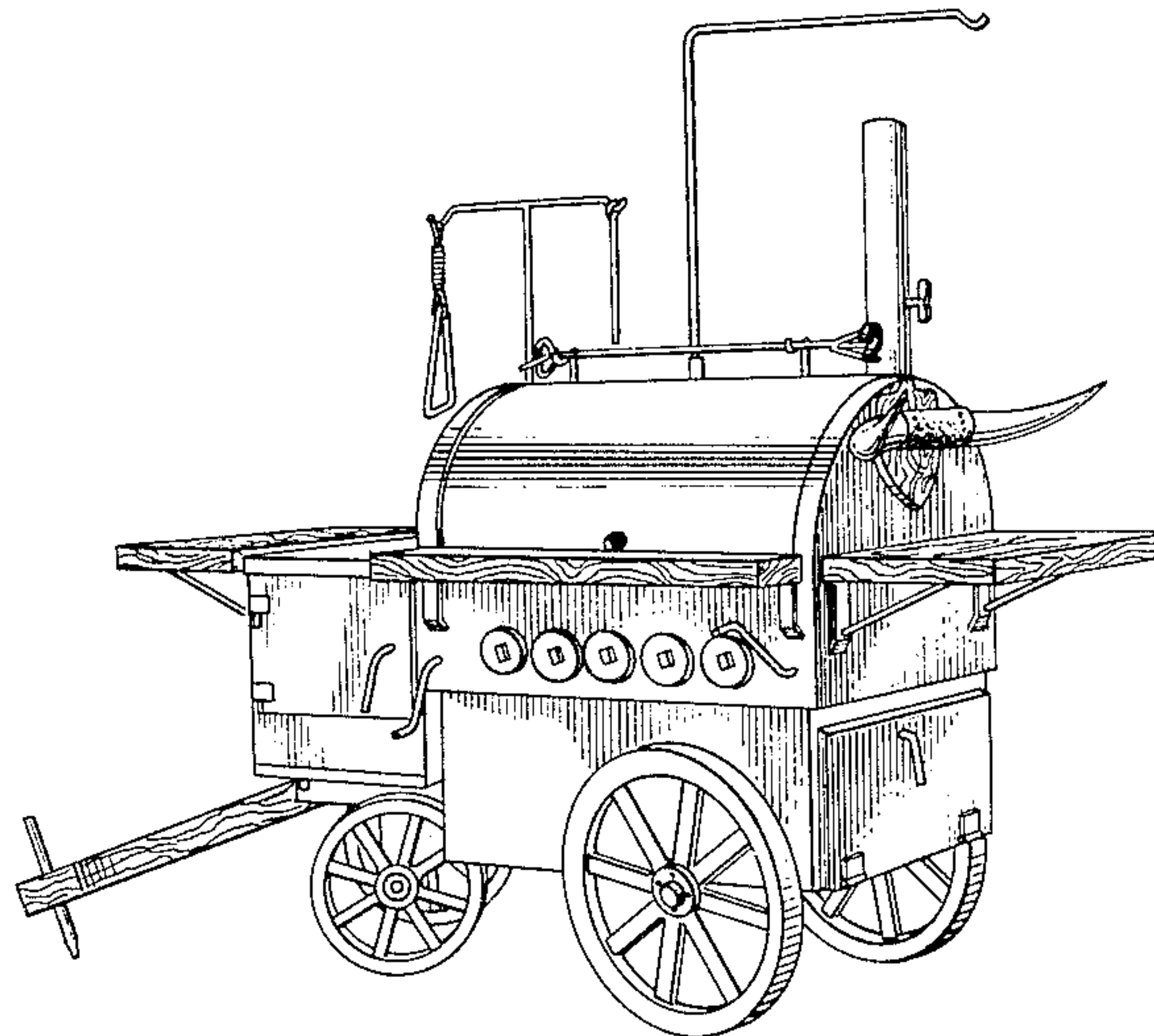


FIG. 1.

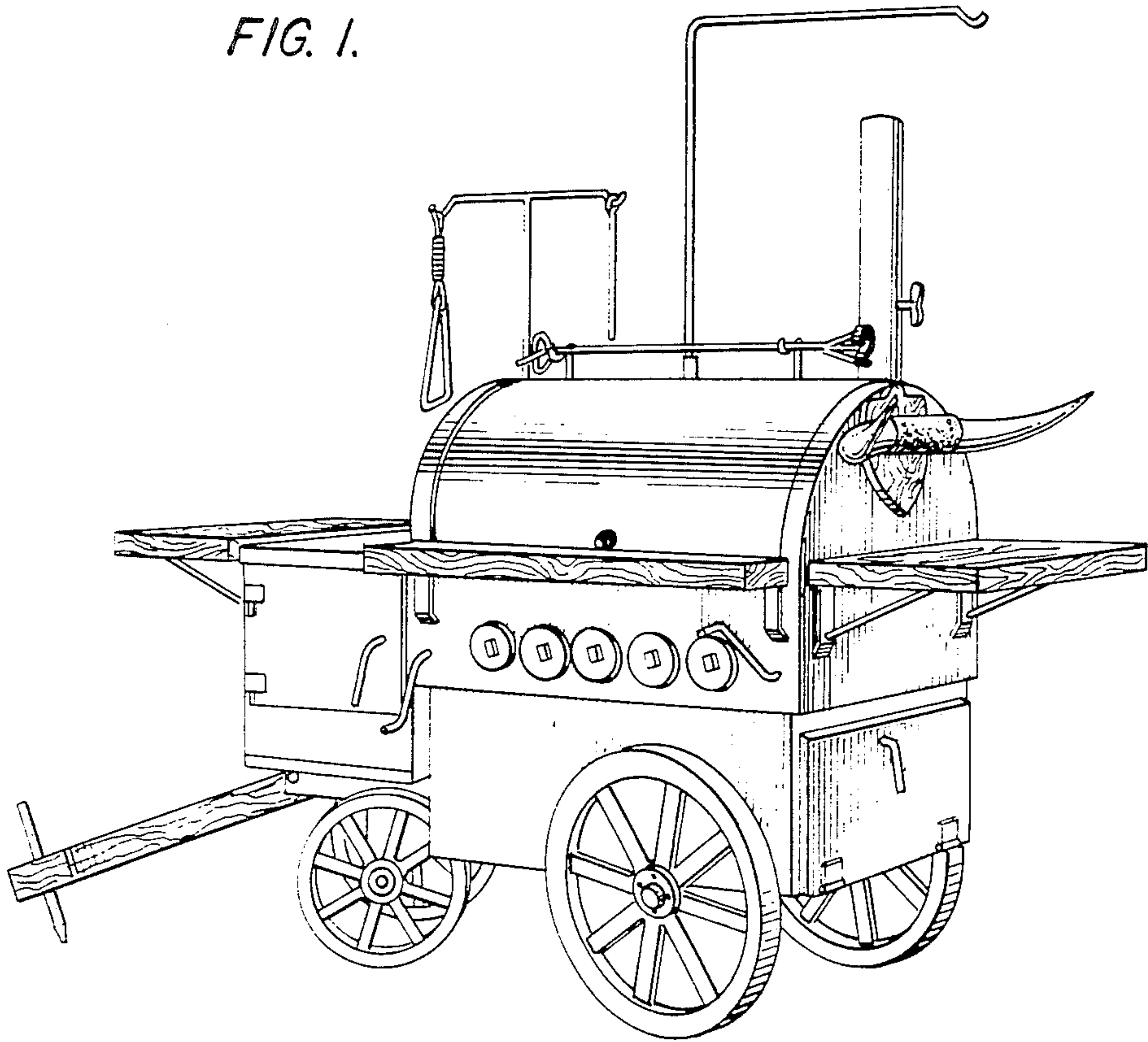


FIG. 2.

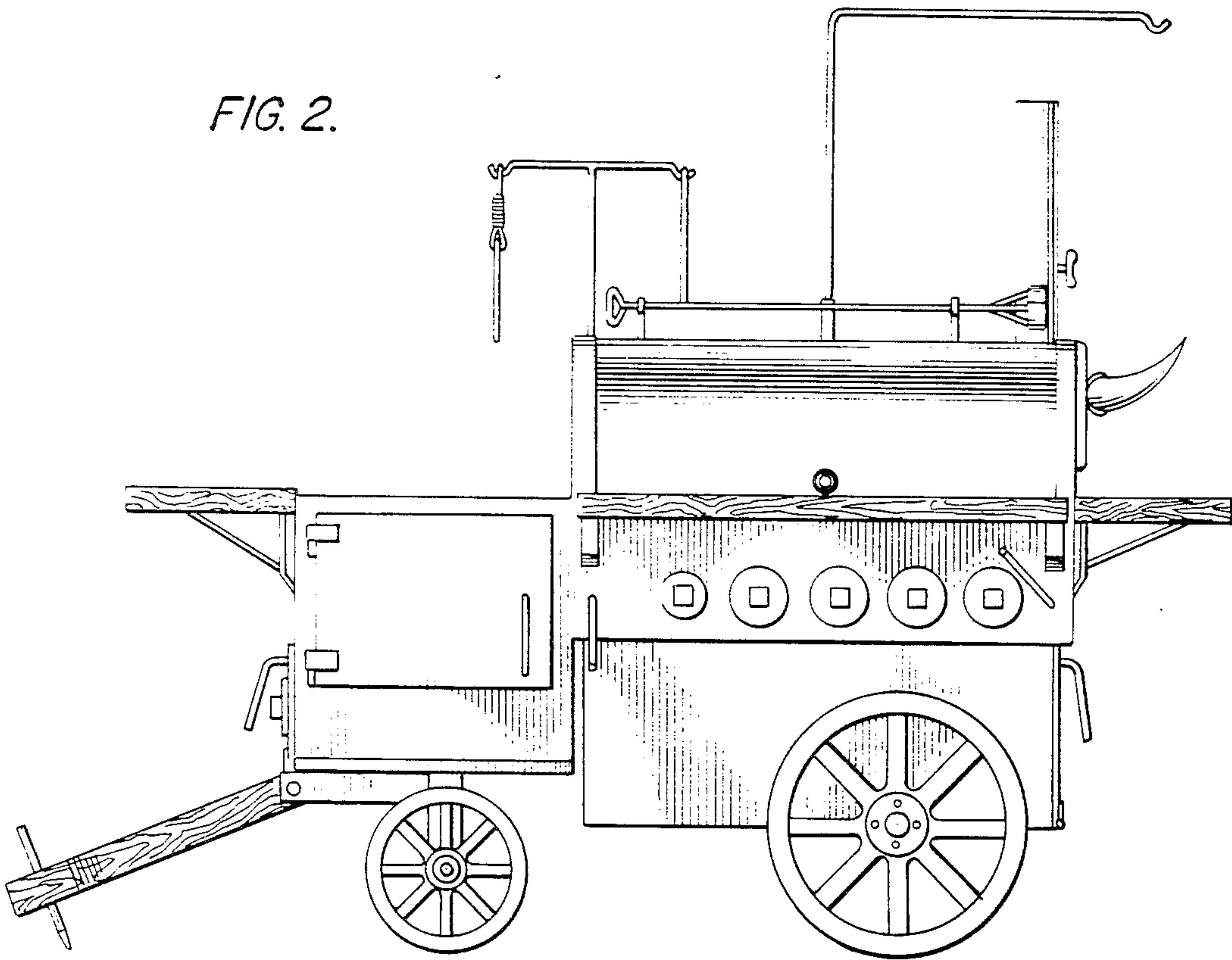


FIG. 3.

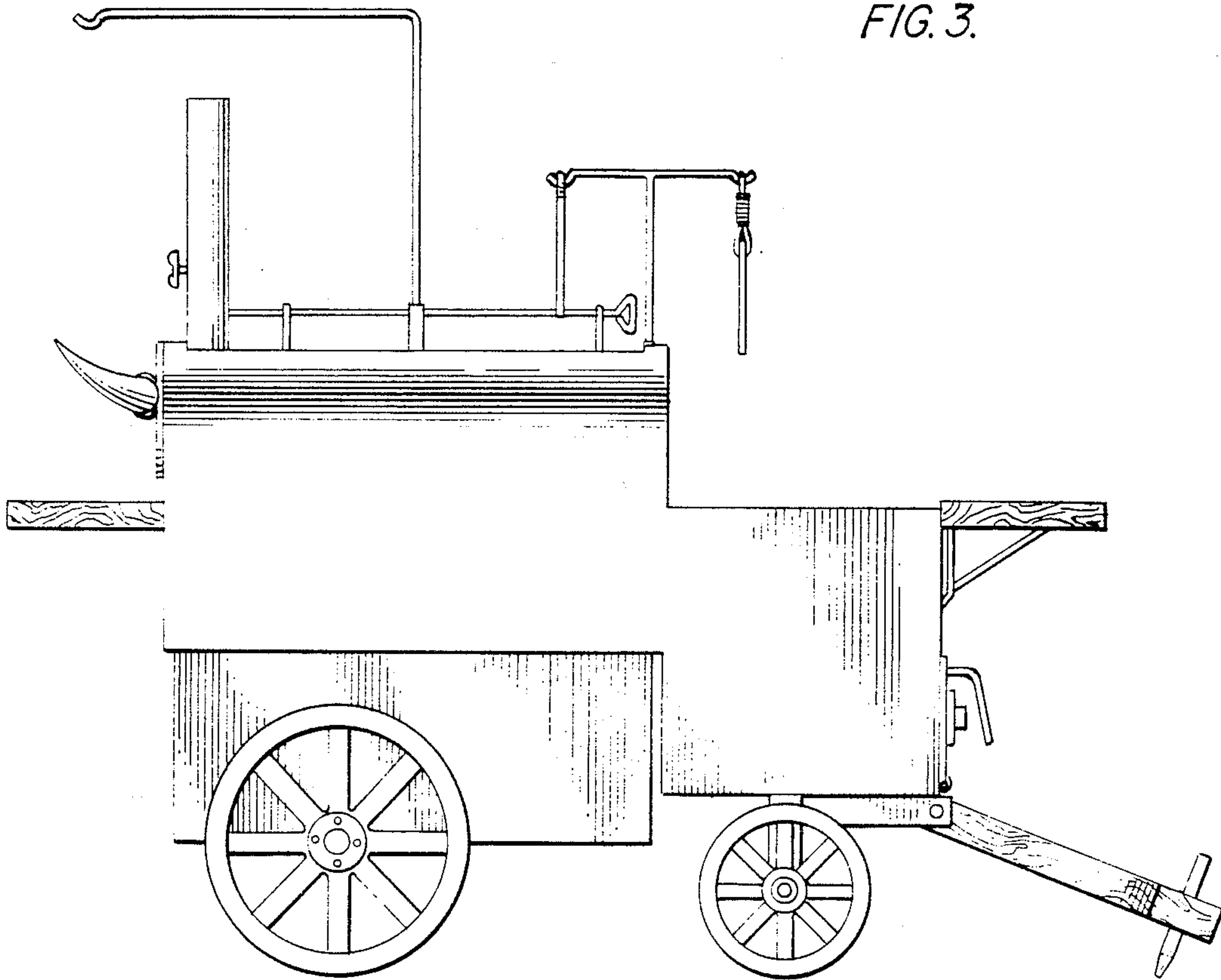


FIG. 4.

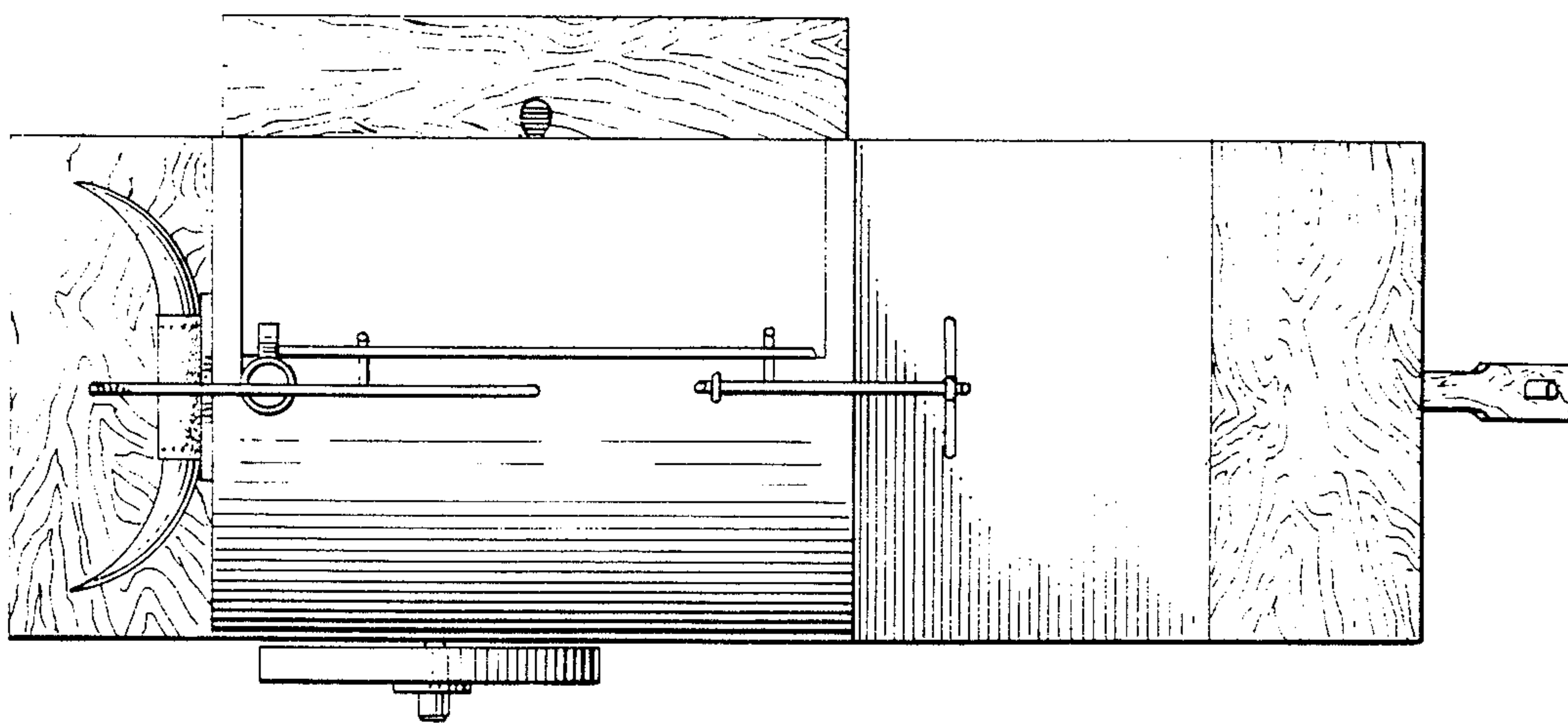


FIG. 6.

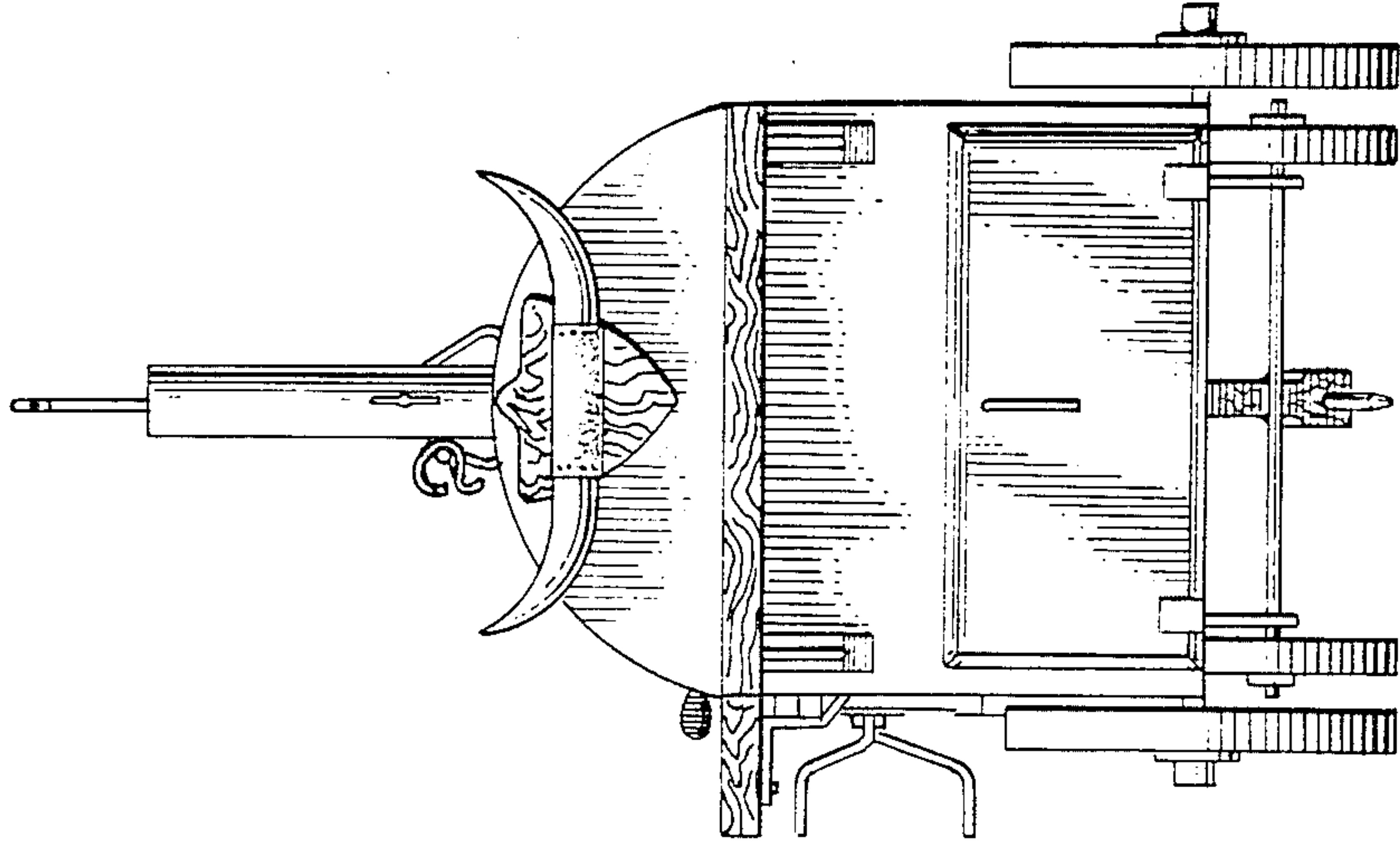


FIG. 5.

