

[54] FISH SCALER

2,666,257 1/1954 Butlin D28/46 X
3,972,115 8/1976 Ross D28/46 X

[75] Inventor: Robert W. Worth, Stevens Point, Wis.

Primary Examiner—Bernard Ansher
Assistant Examiner—Terry Pfeffer
Attorney, Agent, or Firm—Andrus, Scales, Starke & Sawall

[73] Assignee: The Worth Company, Stevens Point, Wis.

[**] Term: 14 Years

[57] CLAIM

[21] Appl. No.: 516,799

The ornamental design for a fish scaler, substantially as shown and described.

[22] Filed: Jul. 25, 1983

[52] U.S. Cl. D7/99; D28/46

DESCRIPTION

[58] Field of Search D7/99; 17/66, 69; D28/46, 48; D32/49; D22/31

FIG. 1 is a top plan view of a fish scaler showing my new design;

[56] References Cited

FIG. 2 is a bottom plan view thereof;

U.S. PATENT DOCUMENTS

FIG. 3 is a side elevation thereof, the opposite side being a mirror image;

- D. 161,330 12/1950 Galter D7/106
- D. 205,884 10/1966 Canion D7/106
- D. 214,808 7/1969 Grown D7/99
- 2,148,944 2/1939 Helm D7/106 X

FIG. 4 is a right end elevation thereof;

FIG. 5 is a left end elevation thereof; and

FIG. 6 is a transverse section taken on the line 6—6 of FIG. 3.

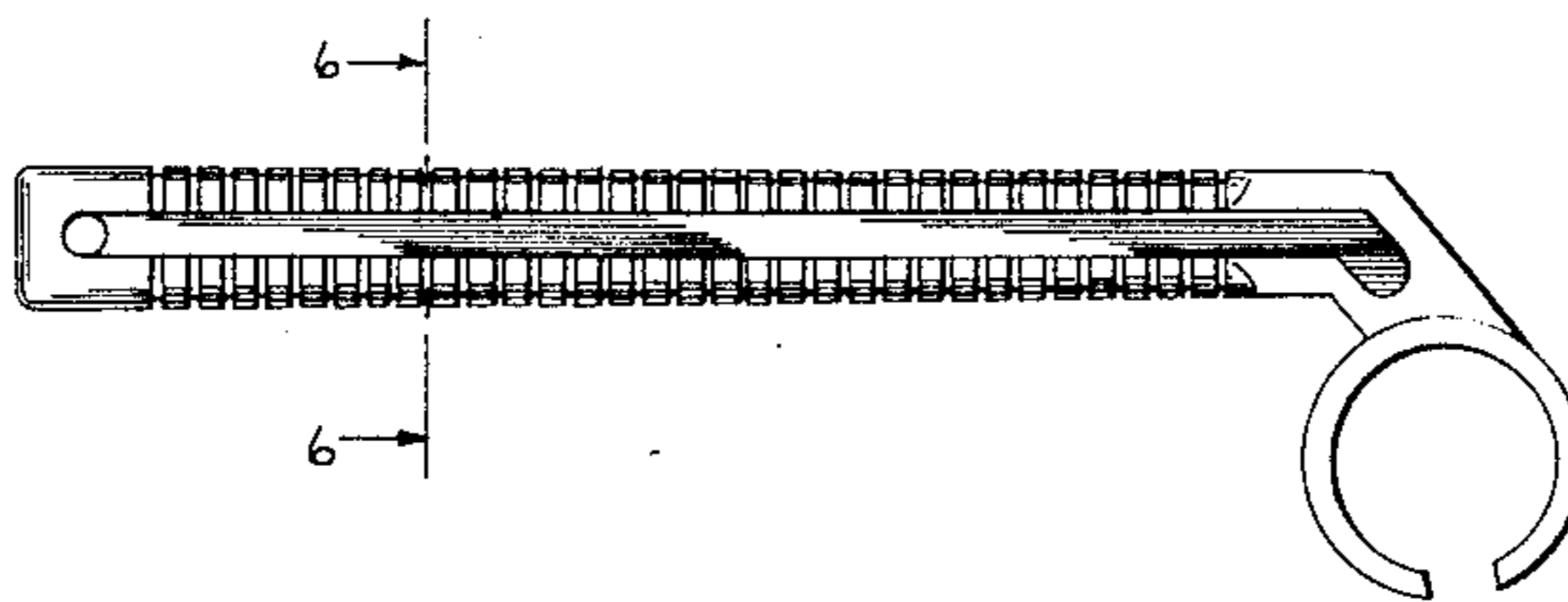
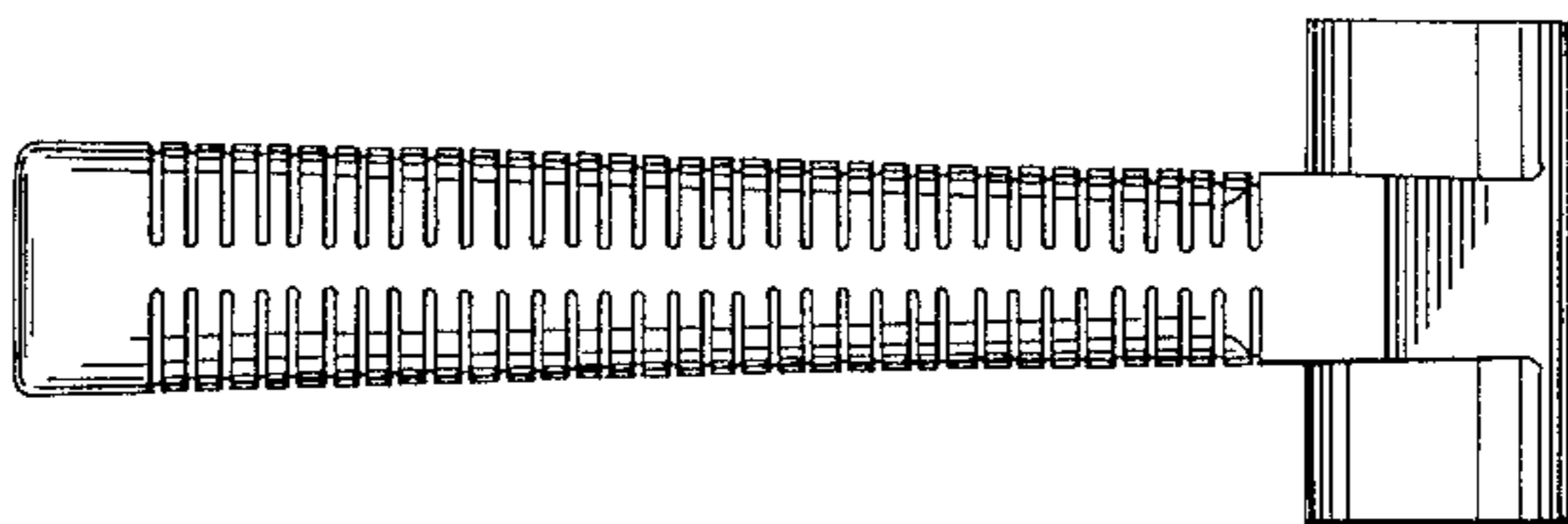


FIG. 1

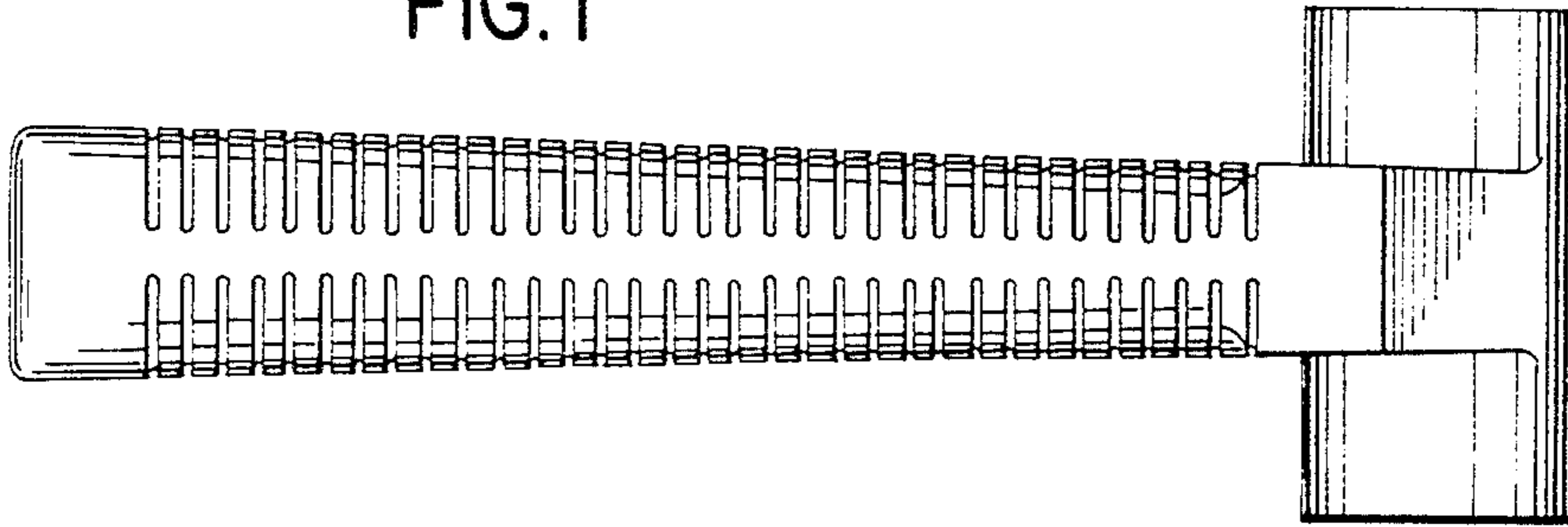


FIG. 2

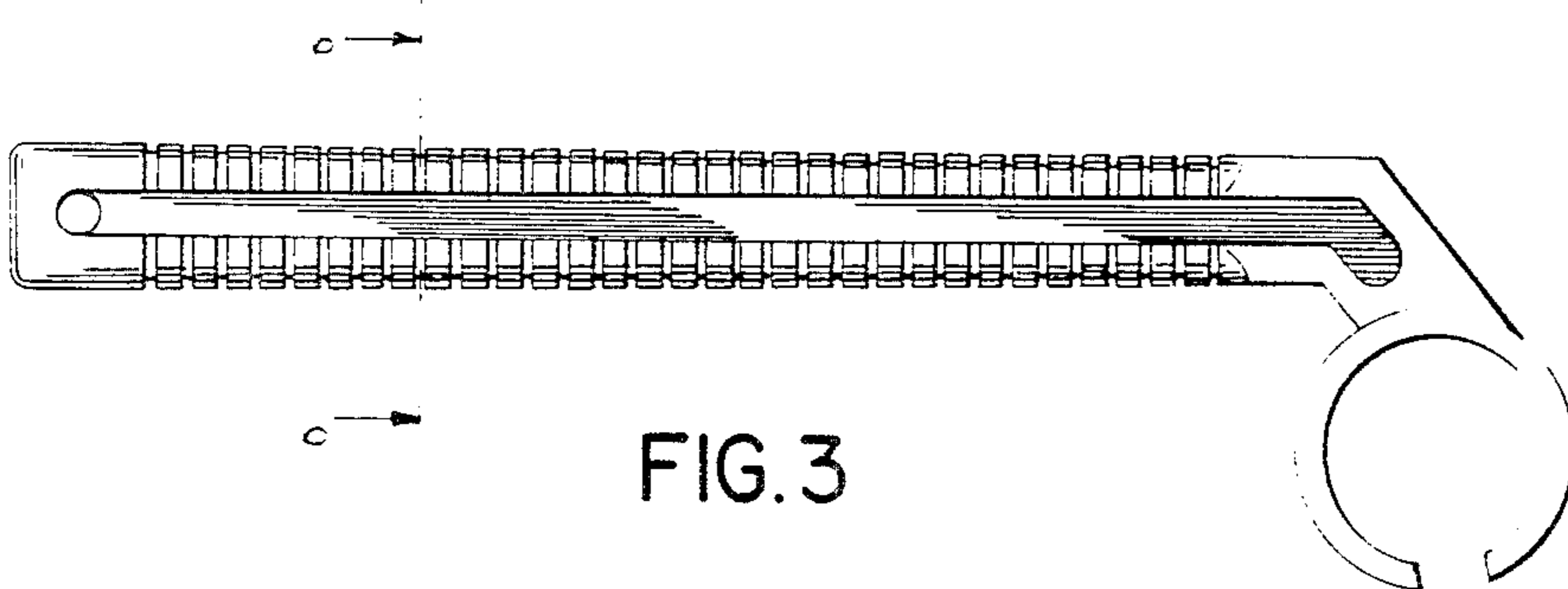
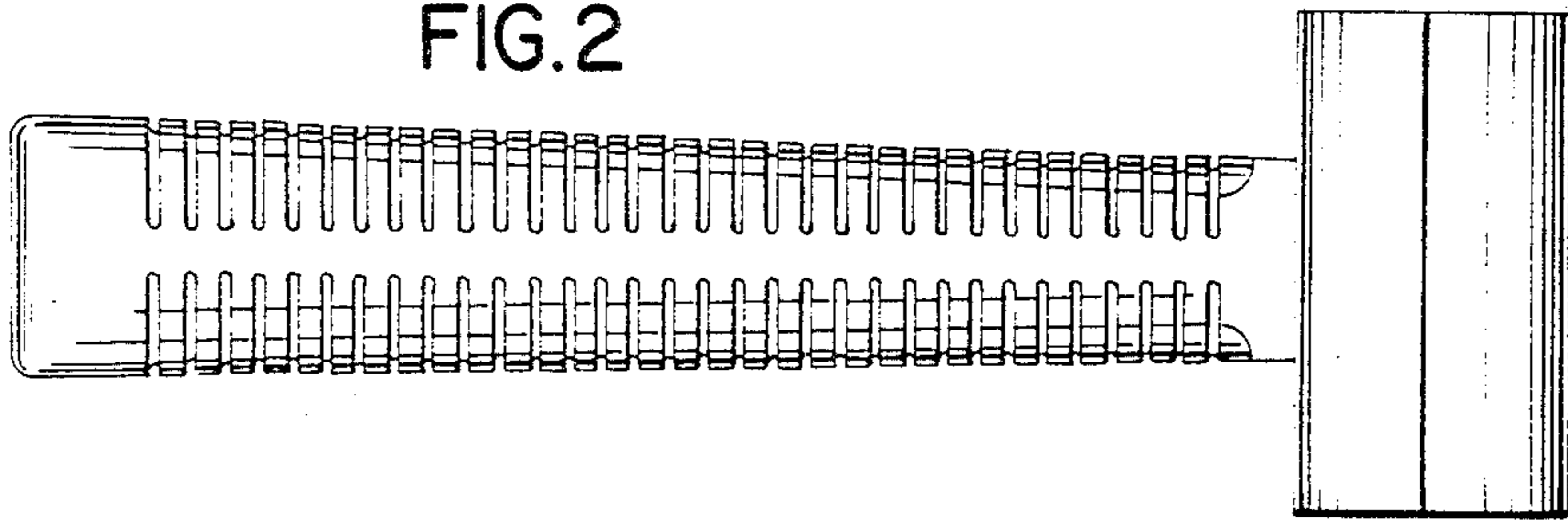


FIG. 3

FIG. 4

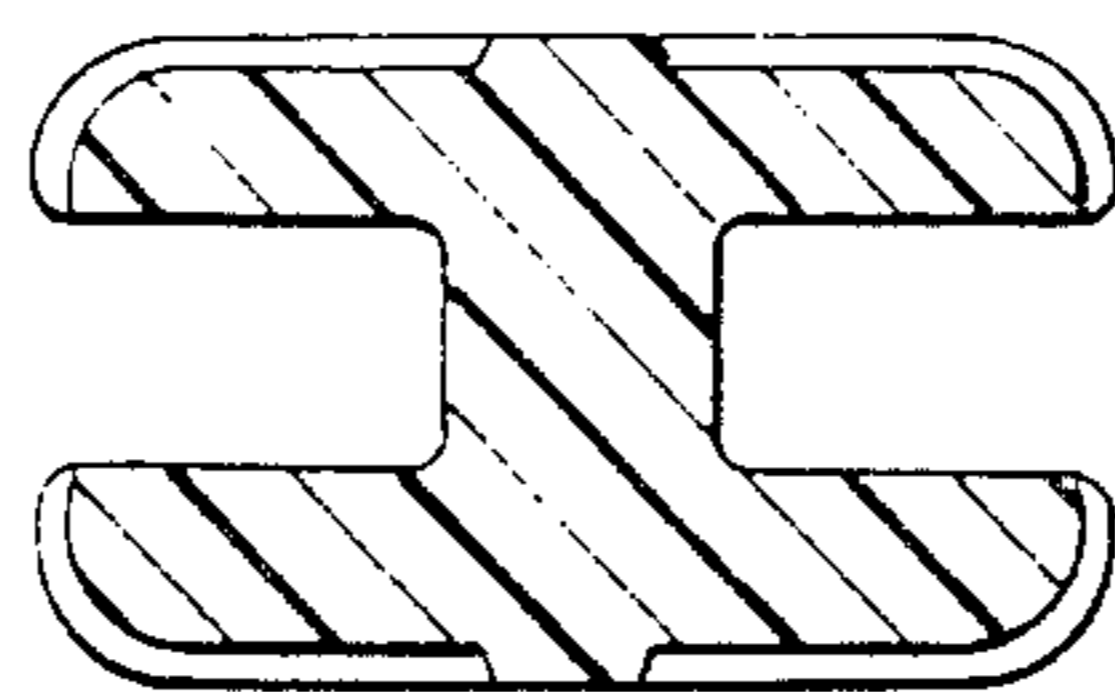
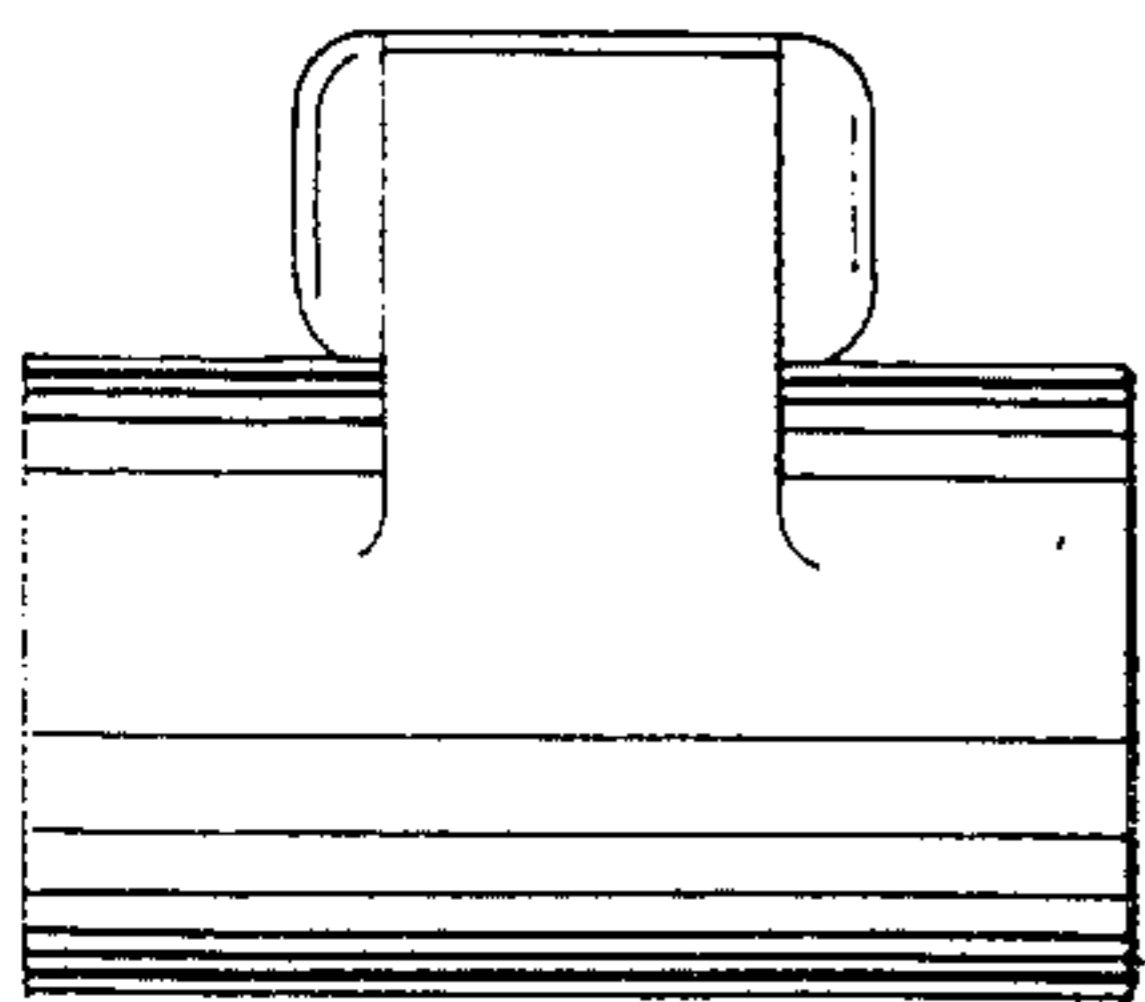


FIG. 6

FIG. 5

