

[54] **CHAIR**

[75] **Inventor: Niels Diffrient, New York, N.Y.**

[73] **Assignee: Knoll International, Inc., New York, N.Y.**

[**] **Term: 14 Years**

[21] **Appl. No.: 643,057**

[22] **Filed: Aug. 22, 1984**

Related U.S. Application Data

[62] **Division of Ser. No. 47,122, Jun. 11, 1979.**

[52] **U.S. Cl. D6/366**

[58] **Field of Search D6/334, 357, 364, 365, D6/366**

[56] **References Cited**

U.S. PATENT DOCUMENTS

D. 224,188	7/1972	Leaver	D6/365
D. 249,406	9/1978	Ambasz	D6/366
D. 250,374	11/1978	Prizlow et al.	D6/366
D. 254,278	2/1980	Wilson	D6/366
D. 259,000	4/1981	Vogtherr	D6/366

Primary Examiner—Bruce W. Dunkins
Attorney, Agent, or Firm—Robert Scobey

[57] **CLAIM**

The ornamental design for chair, as shown.

DESCRIPTION

FIG. 1 is a perspective view of a chair embodying the design.

FIG. 2 is a front perspective view of a second embodiment of the chair shown in FIG. 1.

FIG. 3 is a rear view of the chair of FIG. 1.

FIG. 4 is a rear view of the chair of FIG. 2.

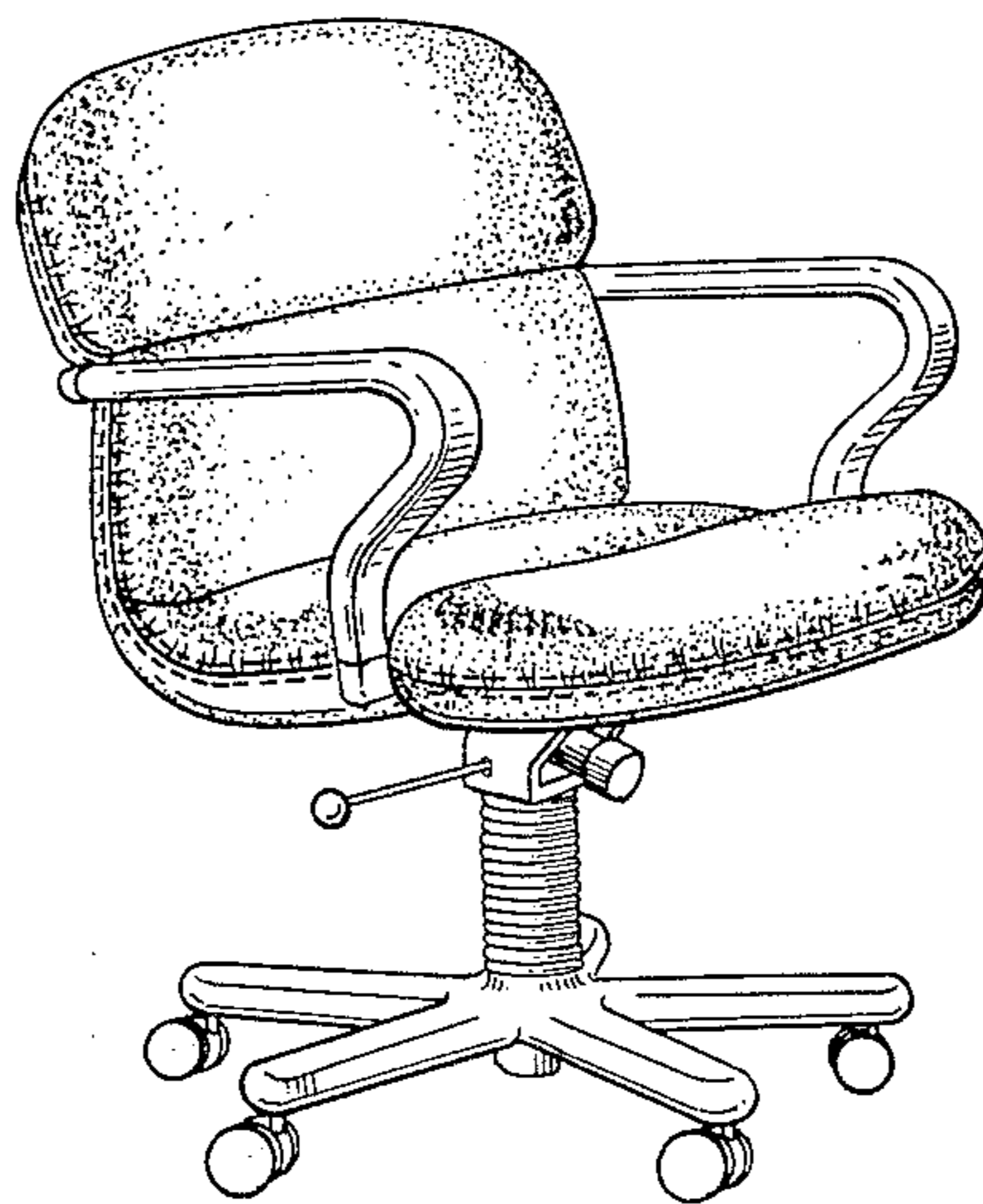


Fig. 1

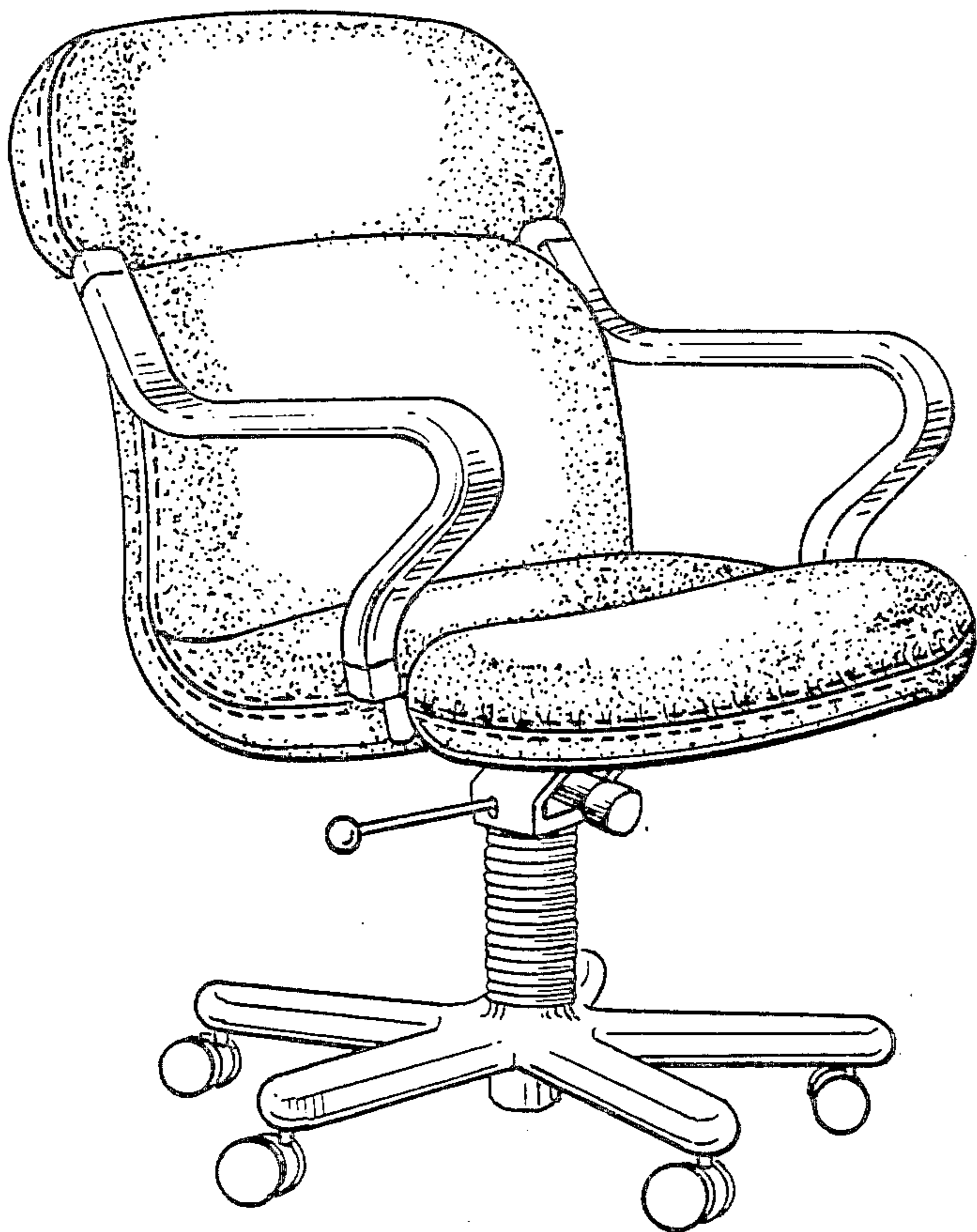
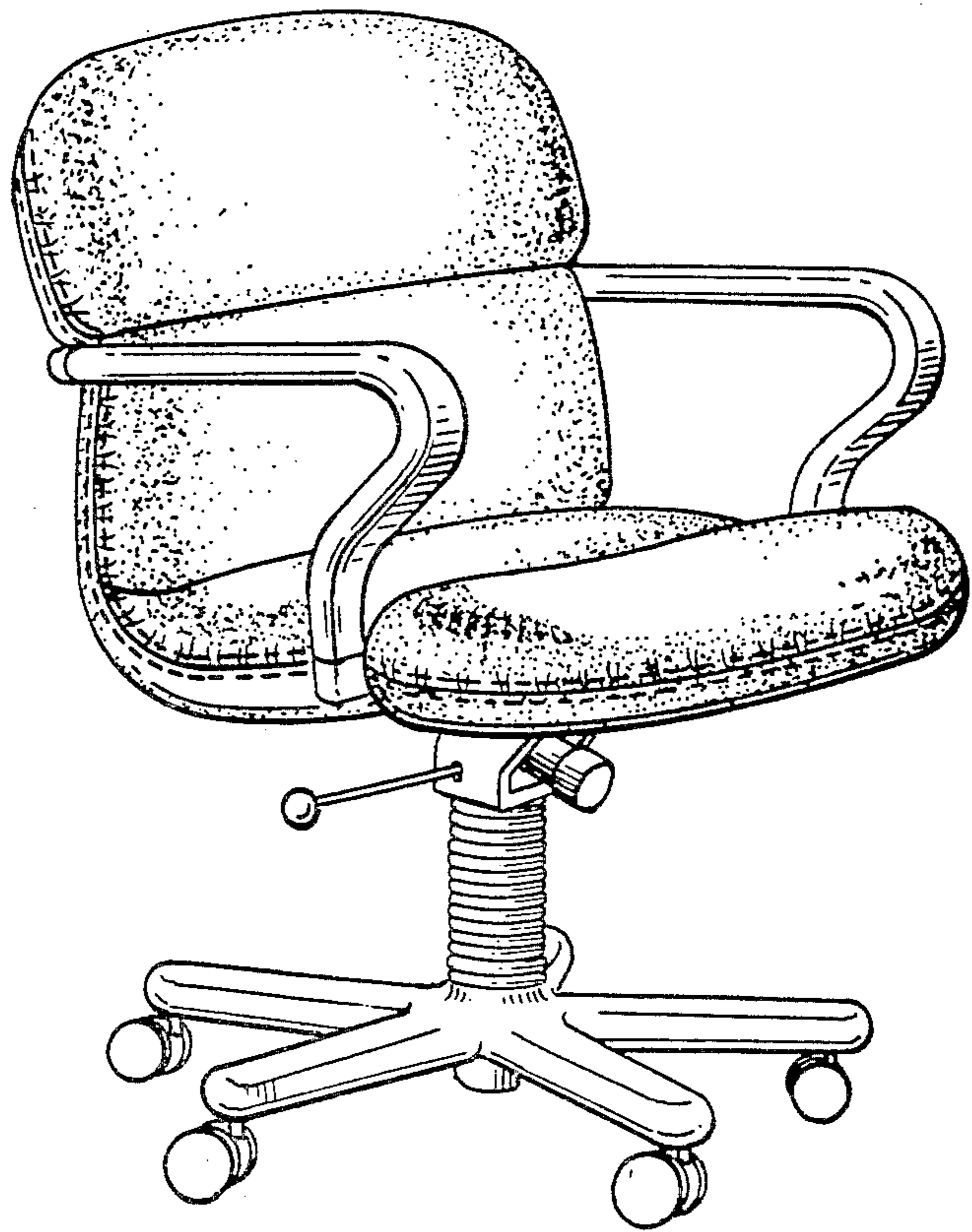


Fig. 2

FIG. 4.

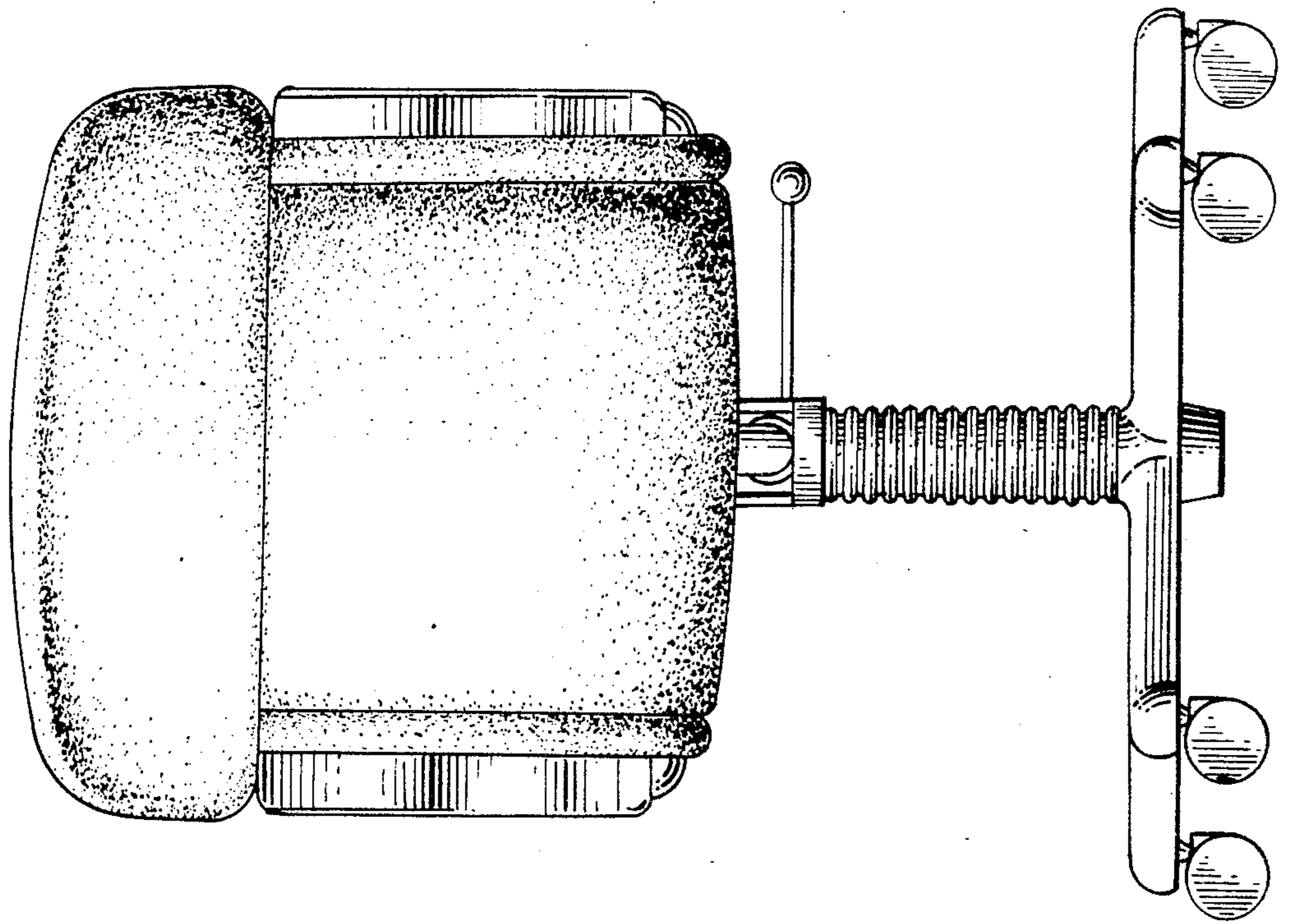


FIG. 3.

