

[54] LEADS CASING FOR ANGLERS

[75] Inventor: Yoshikazu Moriyama, Kobe, Japan

[73] Assignee: Kansai Fishing Tackle Company, Kobe, Japan

[\*\*] Term: 14 Years

[21] Appl. No.: 552,576

[22] Filed: Nov. 16, 1983

[52] U.S. Cl. .... D3/38; D22/14; D22/22

[58] Field of Search ..... D3/30.1, 36-38; D22/22, 14, 31, 99; 206/315.11; 43/43.11, 57.1, 54.1

[56] References Cited

U.S. PATENT DOCUMENTS

D. 115,545	7/1939	De Witt	.....	D3/38
1,817,562	8/1931	Hodge	.....	206/315.11
1,850,074	3/1932	Crandall	.....	206/315.11
1,896,827	2/1933	Neely	.....	43/54.1
2,242,059	5/1941	De Witt	.....	43/57.1

2,517,866	8/1950	Glahn	.....	43/54.1
2,717,470	9/1955	Holdeman	.....	43/57.1
2,765,576	10/1956	Kurek	.....	43/54.1
2,814,904	12/1957	Reedall	.....	43/54.1

Primary Examiner—George P. Word  
Attorney, Agent, or Firm—Jordan and Hamburg

[57] CLAIM

The ornamental design for a leads casing for anglers, as shown and described.

DESCRIPTION

FIG. 1 is a front elevational view of a leads casing for anglers showing my new design; FIG. 2 is a right side elevational view thereof, the left side elevational view not being shown as it would be a mirror image of the right side elevational view; FIG. 3 is a rear elevational view thereof; FIG. 4 is a top plan view thereof; FIG. 5 is a bottom plan view thereof; FIG. 6 is a perspective view thereof; and FIG. 7 is a perspective view thereof with the cover thereof in a rotated position.

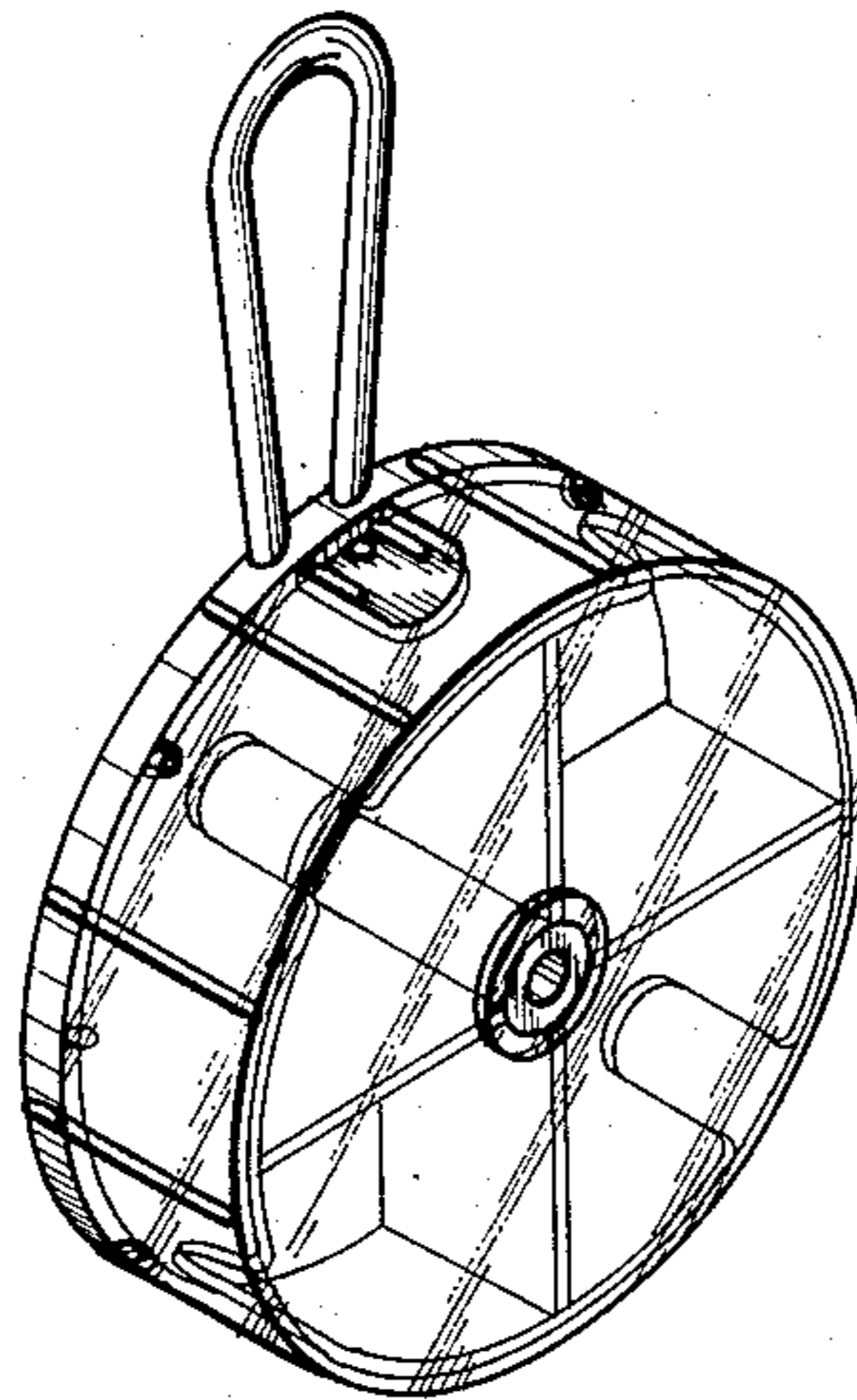


FIG. 2

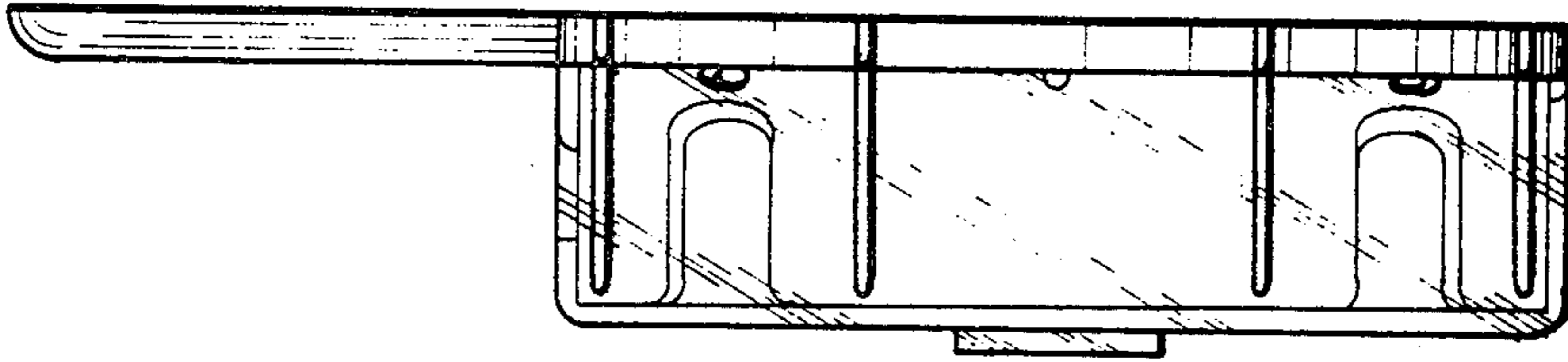


FIG. 1

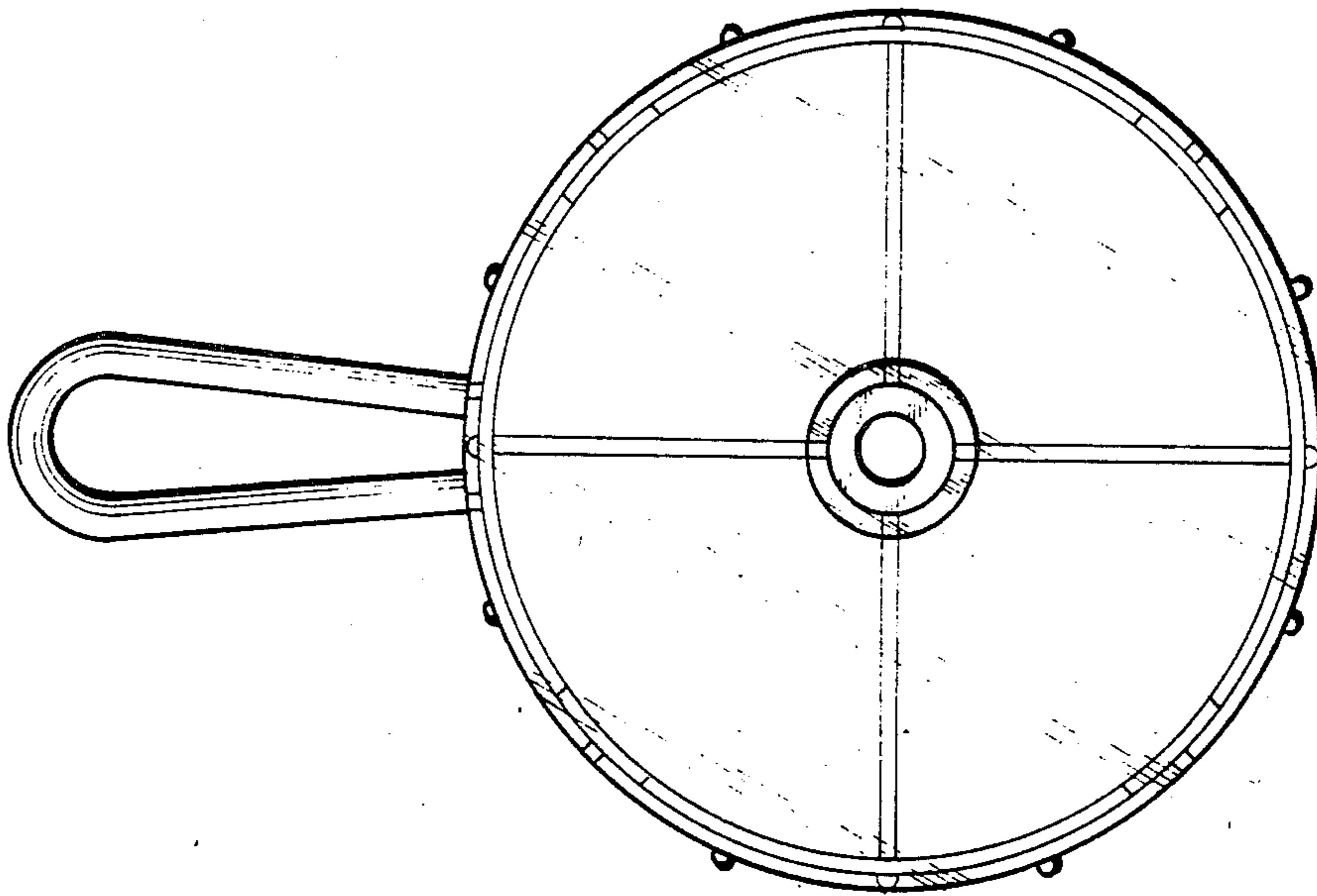


FIG. 3

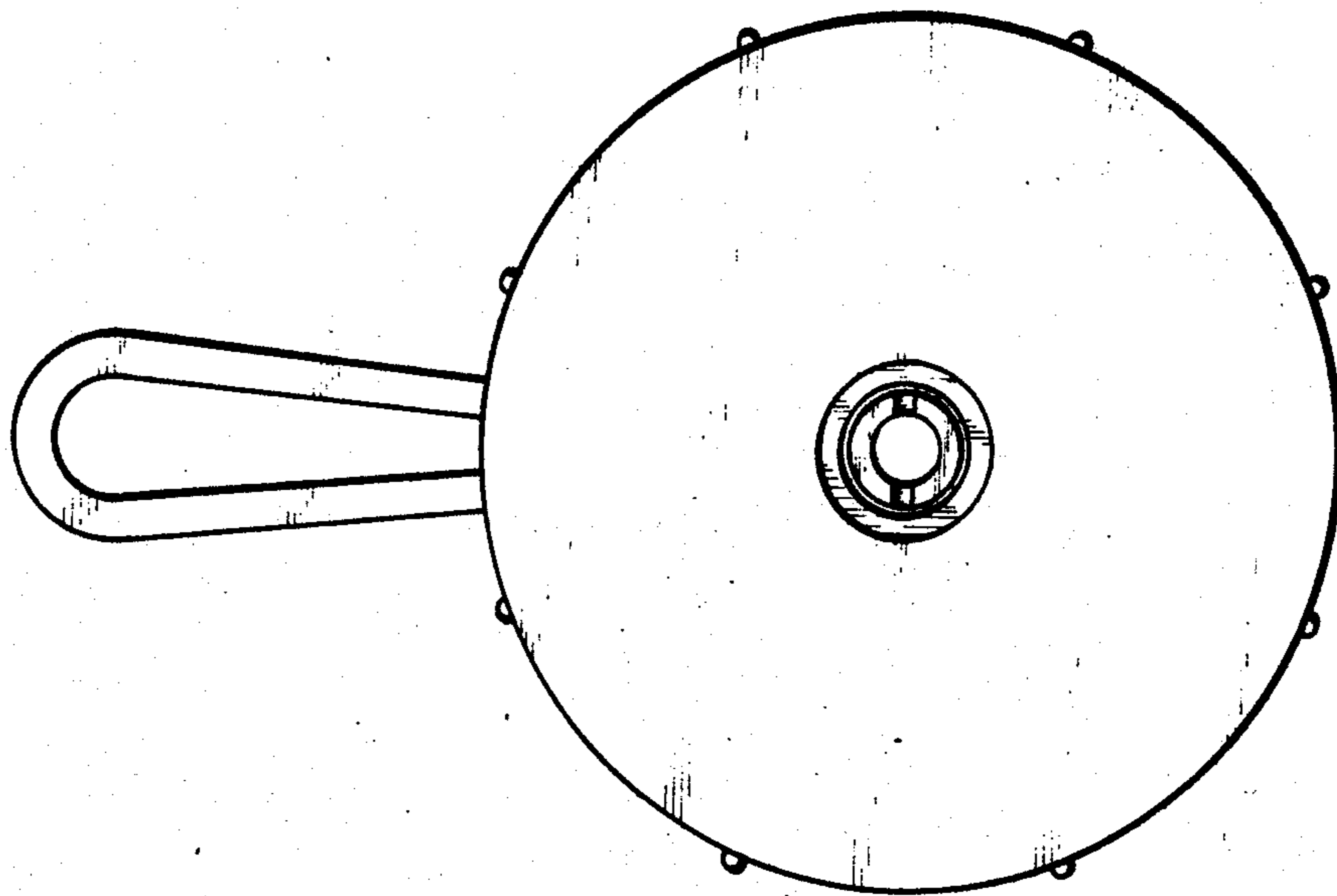


FIG. 4

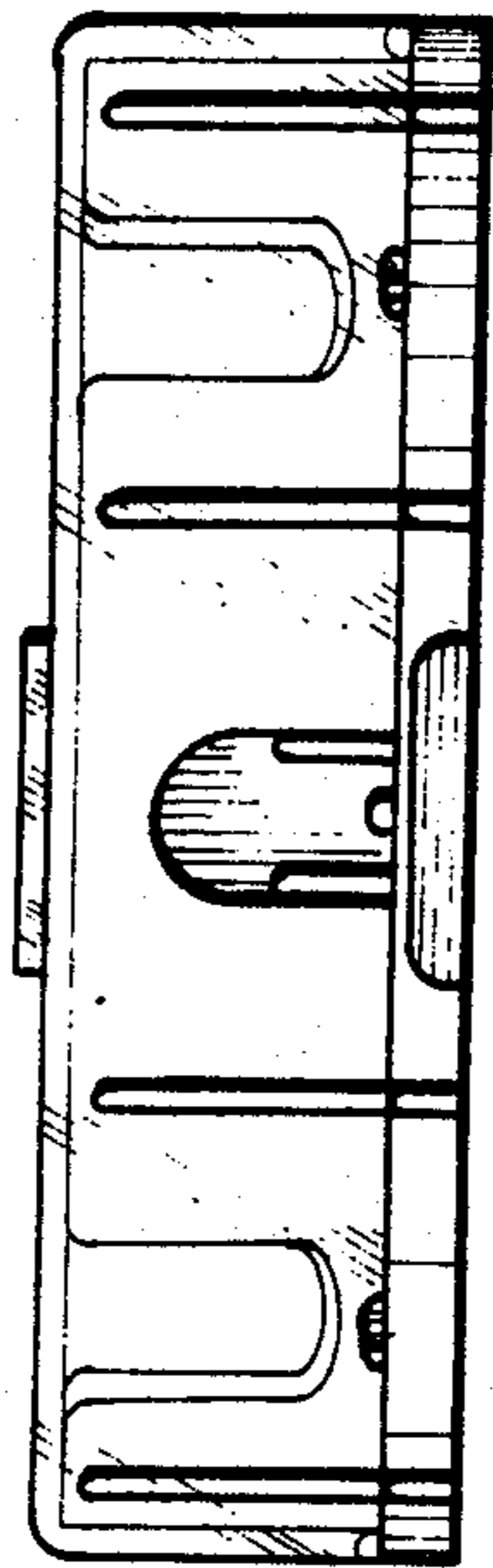
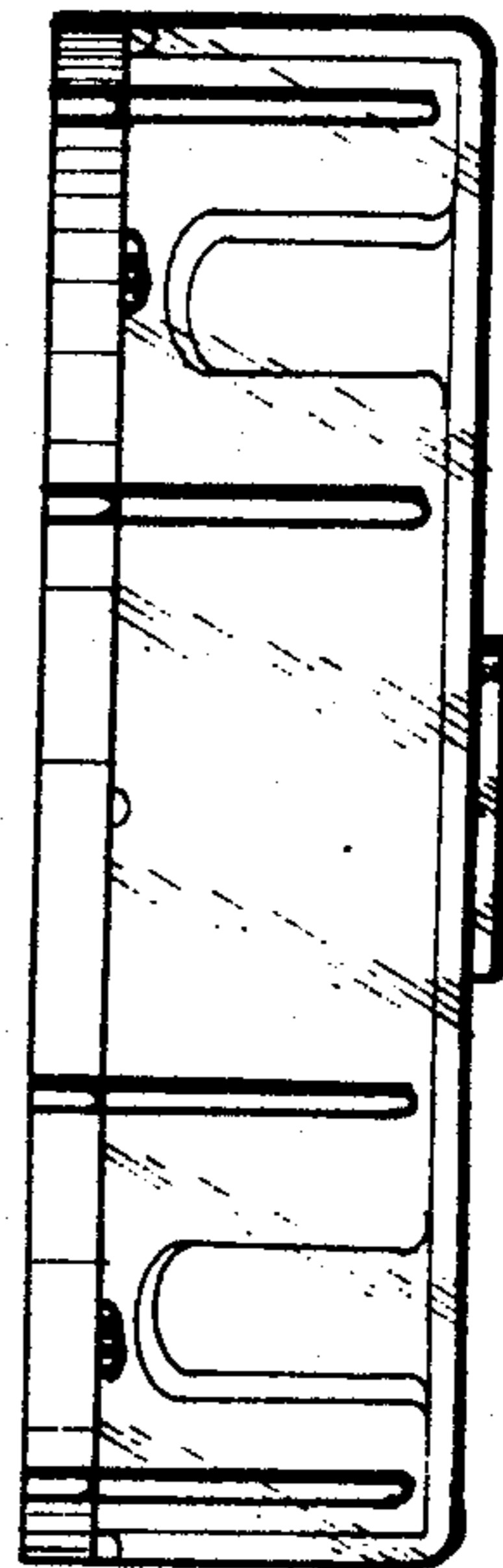


FIG. 5



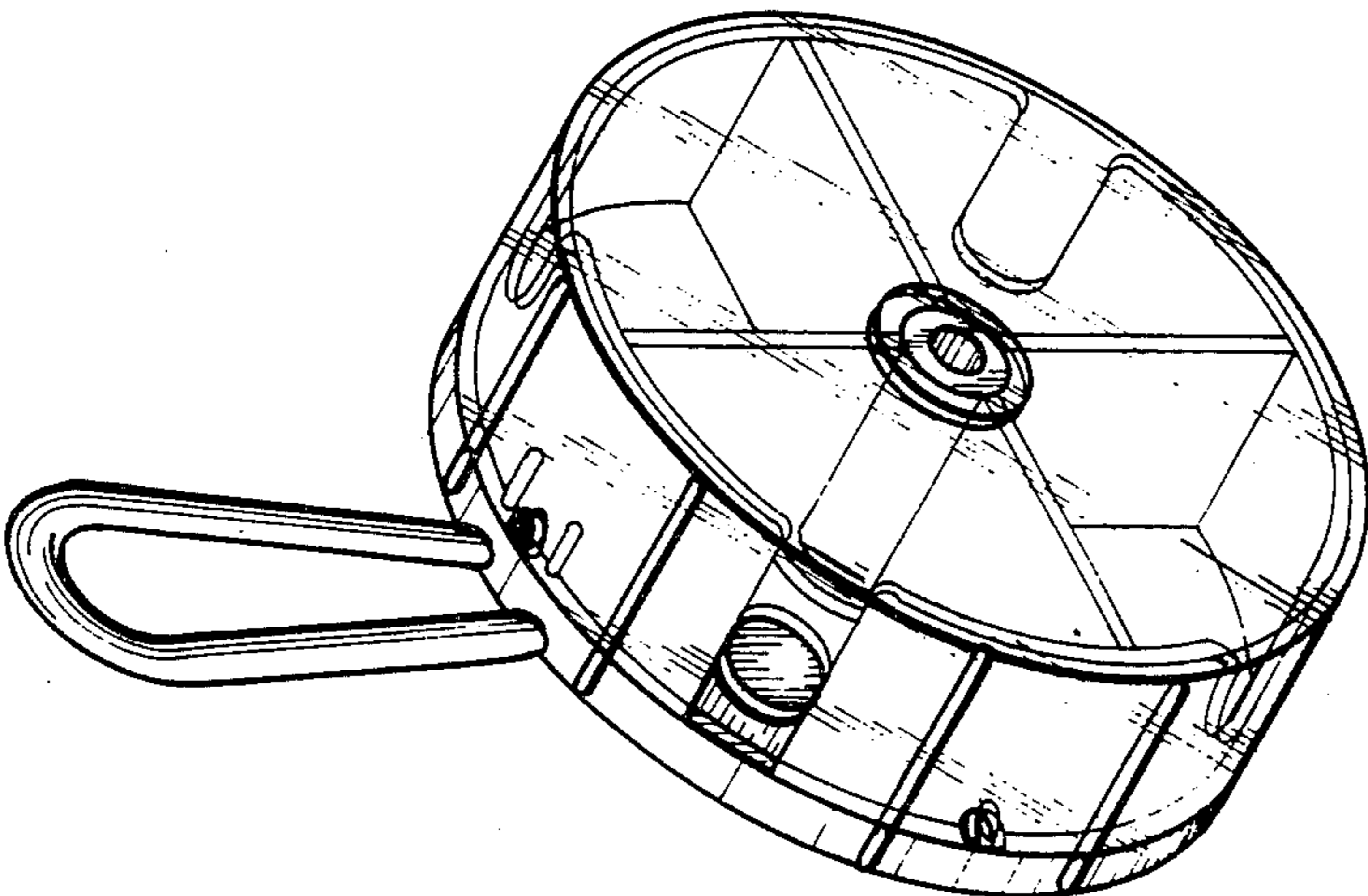


FIG. 6

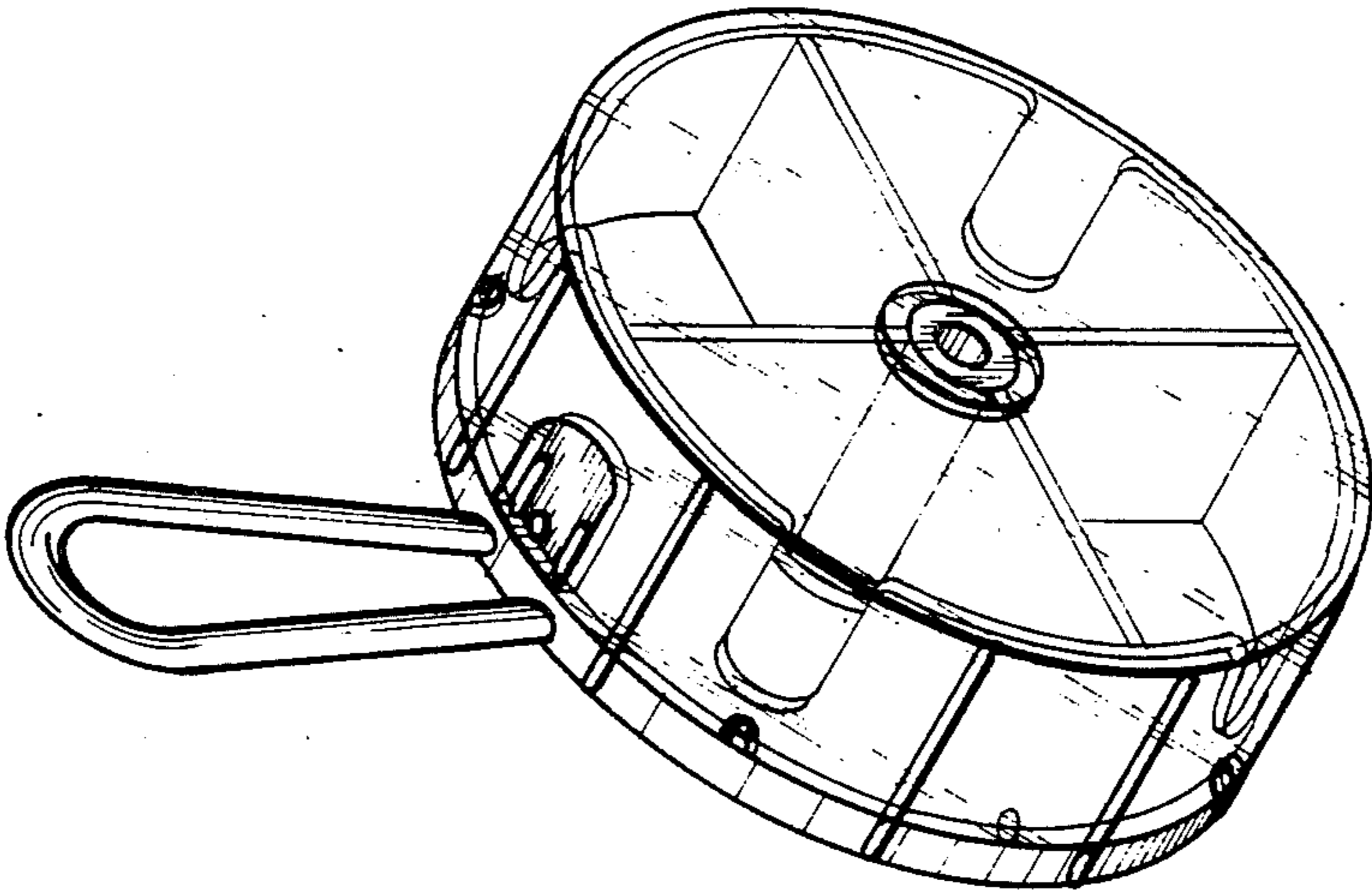


FIG. 7