

[54] MOP WRINGER CARRIAGE

[75] Inventor: Lars Alstrom, Jonkoping, Sweden

[73] Assignee: Gipeco Industrikemikalier AB, Jonkoping, Sweden

[**] Term: 14 Years

[21] Appl. No.: 441,123

[22] Filed: Nov. 12, 1982

[30] Foreign Application Priority Data

May 12, 1982 [SE] Sweden 82-1259

[52] U.S. Cl. D34/17; D34/21; D12/129

[58] Field of Search 280/47.34, 47.35, 79.1 R, 280/79.1 A, 79.3; 15/260, 261; D12/129; D34/17, 21

[56] References Cited

U.S. PATENT DOCUMENTS

D. 196,836	11/1963	Berger	D34/21
D. 240,297	6/1976	Trubiano	D12/129
D. 246,301	11/1977	Trubiano	D12/129
2,673,671	3/1954	Williams	280/47.35 X
3,504,392	4/1970	Baek	15/260
3,894,748	7/1975	Ratcliff	280/47.35 X

Primary Examiner—Catherine E. Kemper
Attorney, Agent, or Firm—Willian, Brinks, Olds, Hofer, Gilson & Lione, Ltd.

[57] CLAIM

The ornamental design for a mop wringer carriage, substantially as shown.

DESCRIPTION

FIG. 1 is a side perspective view of a mop wringer carriage, showing my new design;
FIG. 2 is a front elevational view thereof;
FIG. 3 is a rear elevational view thereof;
FIG. 4 is an elevational view of the side opposite that shown in FIG. 1;
FIG. 5 is a top plan view thereof.

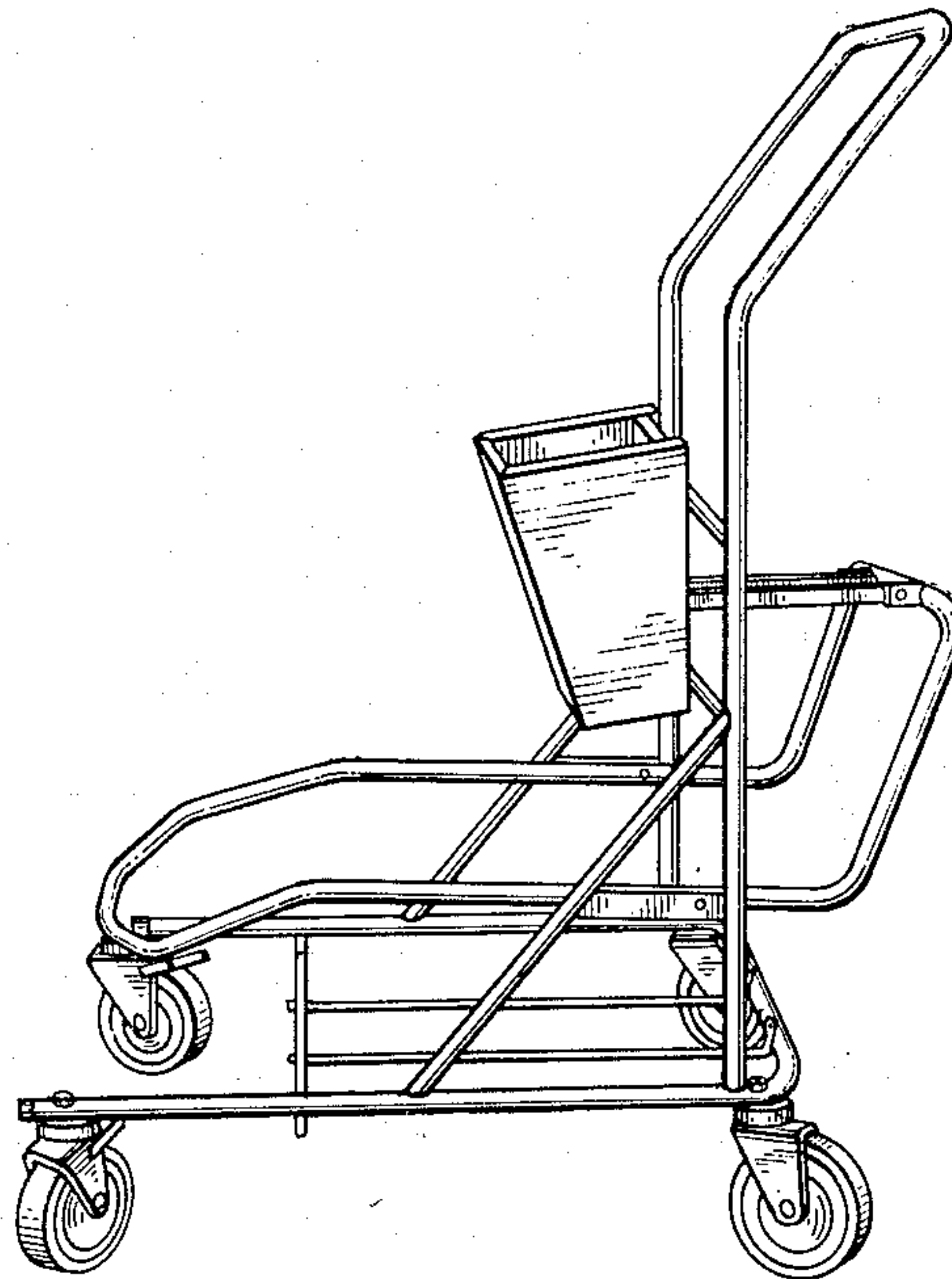


FIG. 3

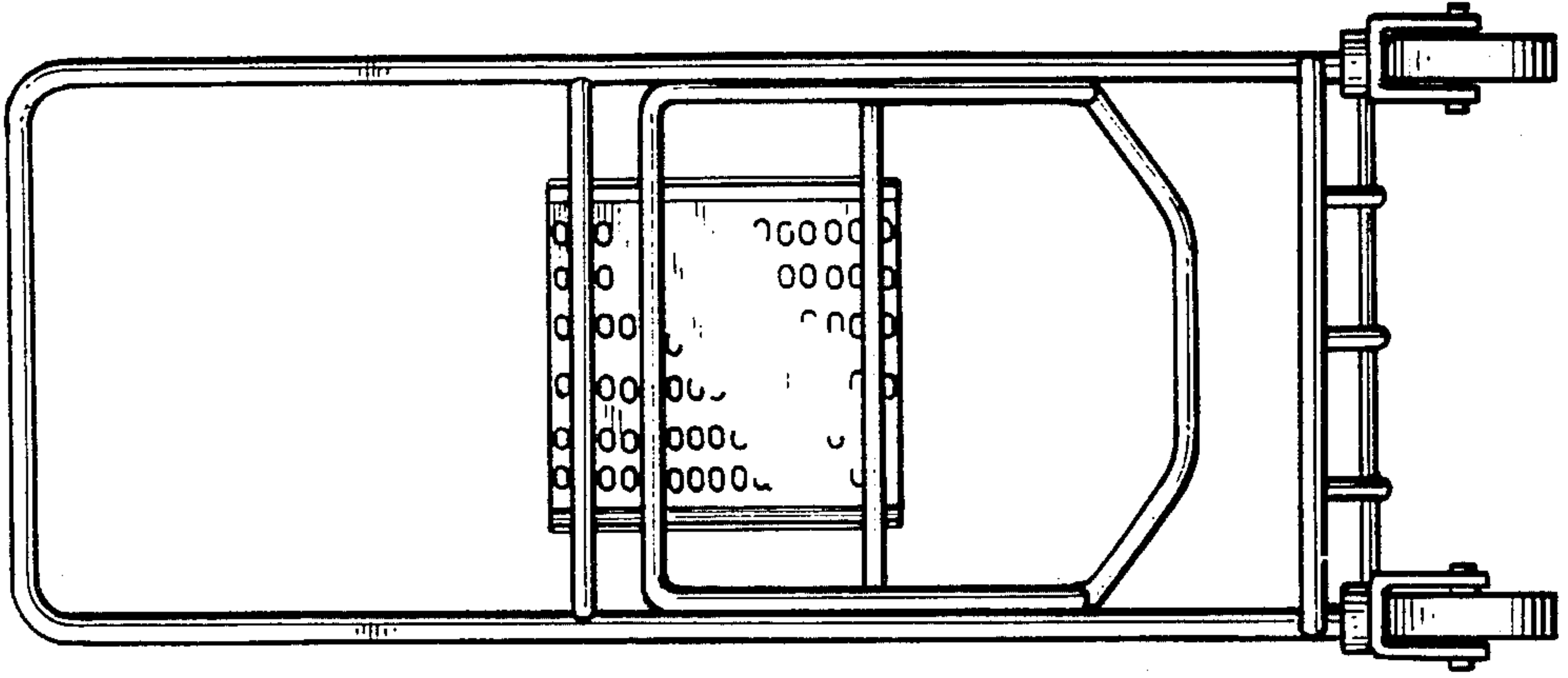


FIG. 1

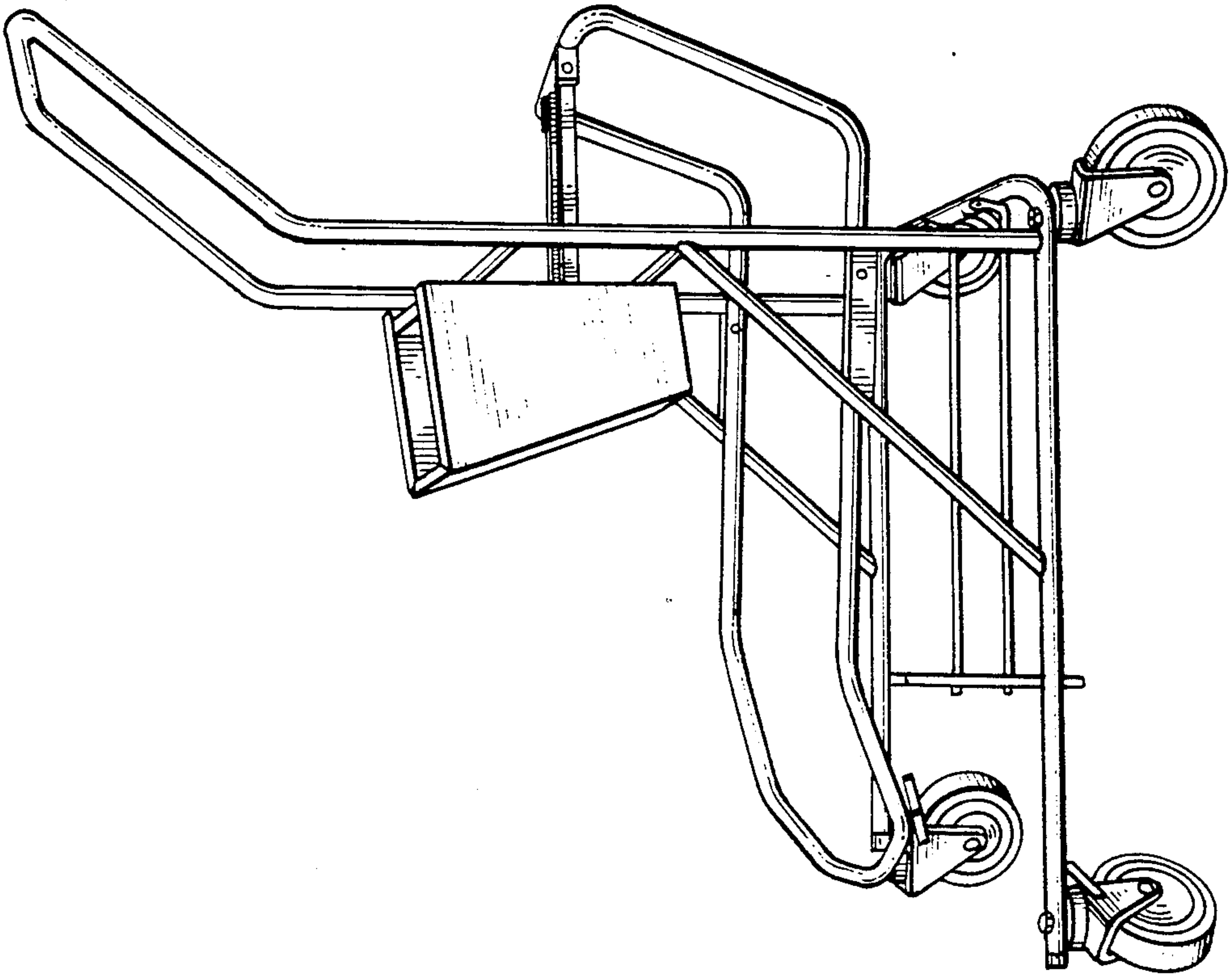
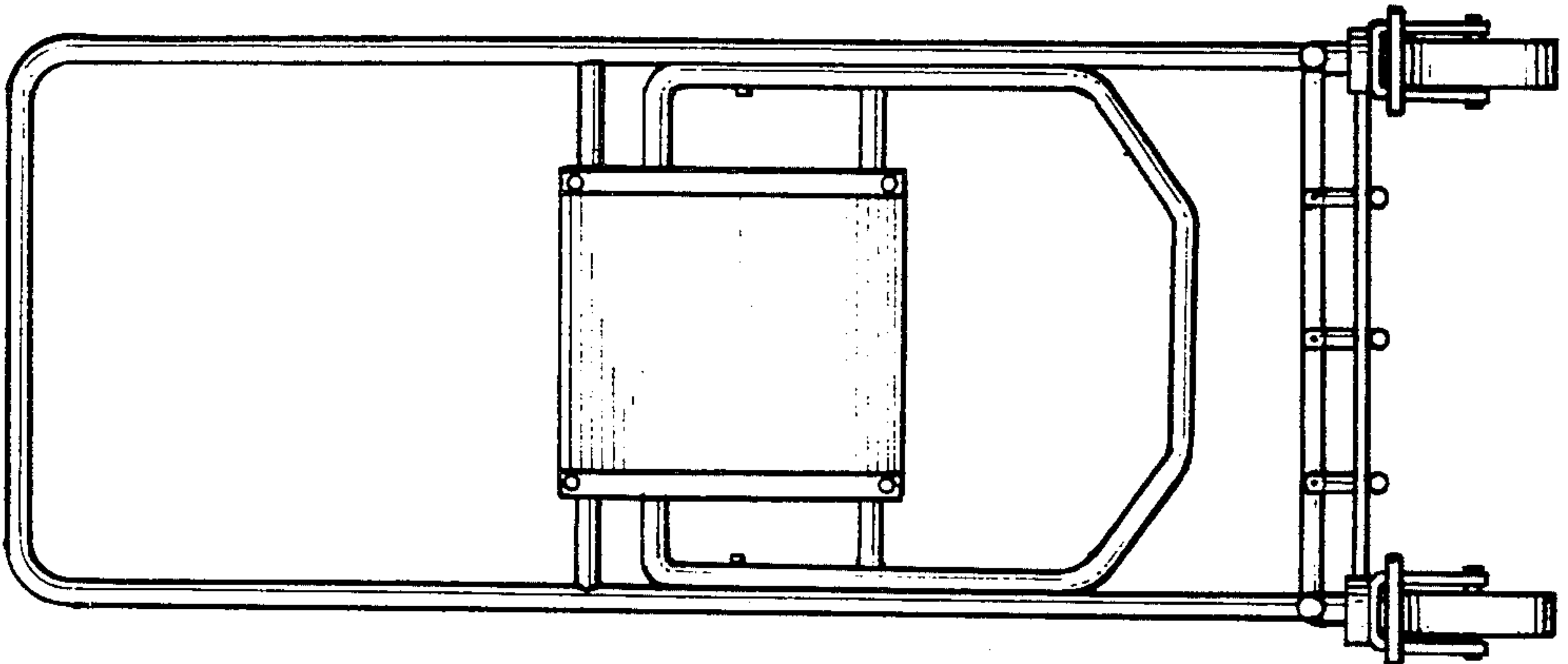


FIG. 2



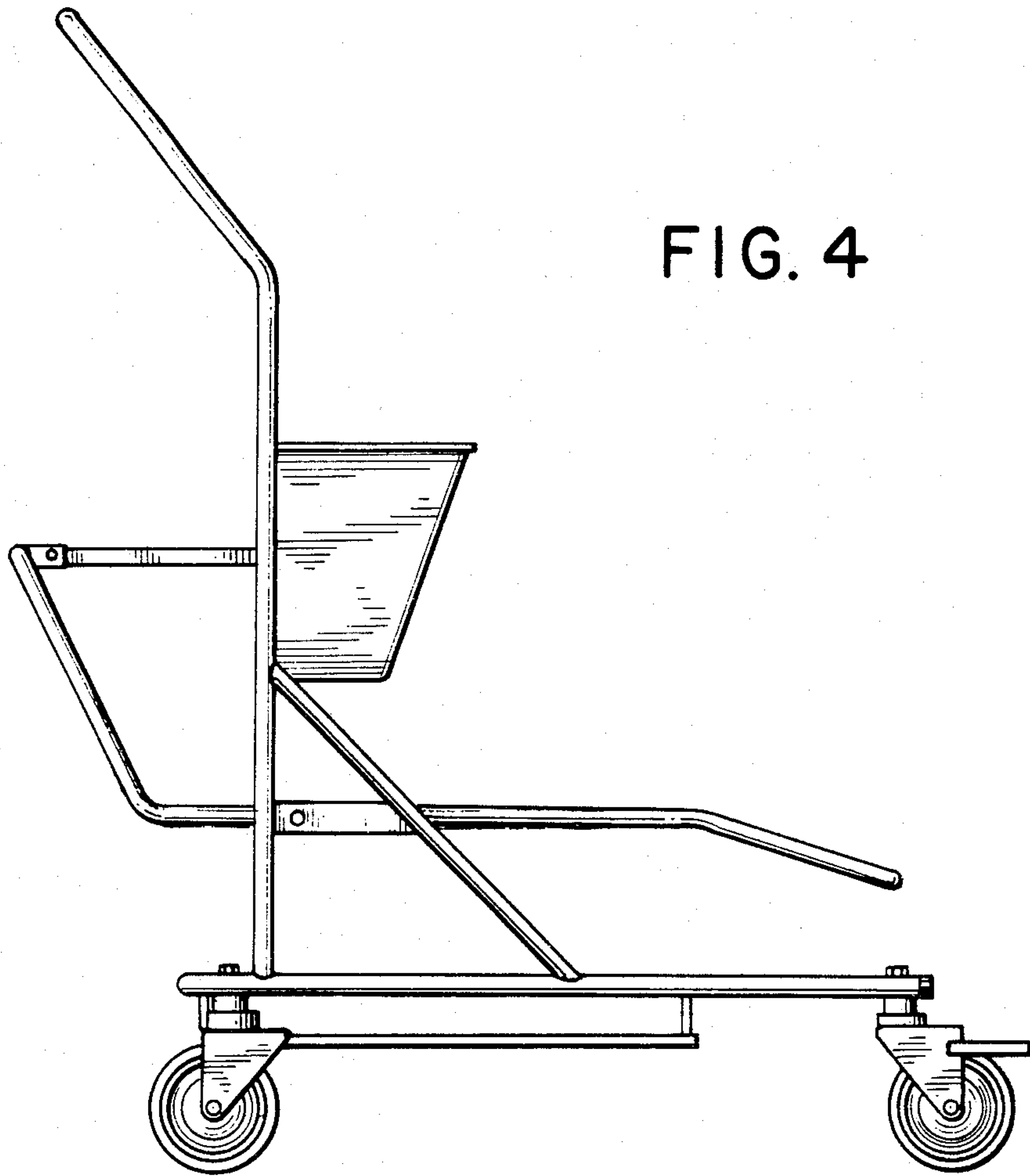


FIG. 4

FIG. 5

