

[54] CLIP-ON FLASHLIGHT

4,398,237 8/1983 Doyel 362/186

[76] Inventor: John S. Doyel, 404 W. 20th St., New York, N.Y. 10011

[**] Term: 14 Years

[21] Appl. No.: 552,438

[22] Filed: Nov. 16, 1983

[52] U.S. Cl. D26/40; D26/60

[58] Field of Search D26/37, 50, 60; 362/157, 158, 183, 208, 396, 103

[56] References Cited

U.S. PATENT DOCUMENTS

D. 242,780	12/1976	Kelley	D26/39 X
D. 275,799	10/1984	Doyel	D26/40
D. 278,658	4/1985	Tanaka	D26/46 X
1,925,115	9/1933	Seiss	362/197
2,089,897	8/1937	Judkins	326/200
4,034,213	7/1977	Norris	362/101 X
4,261,026	4/1981	Bolha	362/101
4,298,913	11/1981	Lozar	362/396 X
4,336,574	6/1982	Goodham	326/200

OTHER PUBLICATIONS

Doyel Appln. Ser. Nos. 341,203, 341,204, filed Jan. 21, 1982.

Primary Examiner—Susan J. Lucas
Attorney, Agent, or Firm—Cooper, Dunham, Clark, Griffin & Moran

[57] CLAIM

The ornamental design for a clip-on flashlight, as shown and described.

DESCRIPTION

FIG. 1 is a perspective view of a clip-on flashlight showing my new design;
FIG. 2 is a top plan view thereof;
FIG. 3 is a side elevational view thereof;
FIG. 4 is an elevational view thereof from the opposite side;
FIG. 5 is a front elevational view thereof;
FIG. 6 is a bottom plan view thereof;
FIG. 7 is a back elevational view thereof.

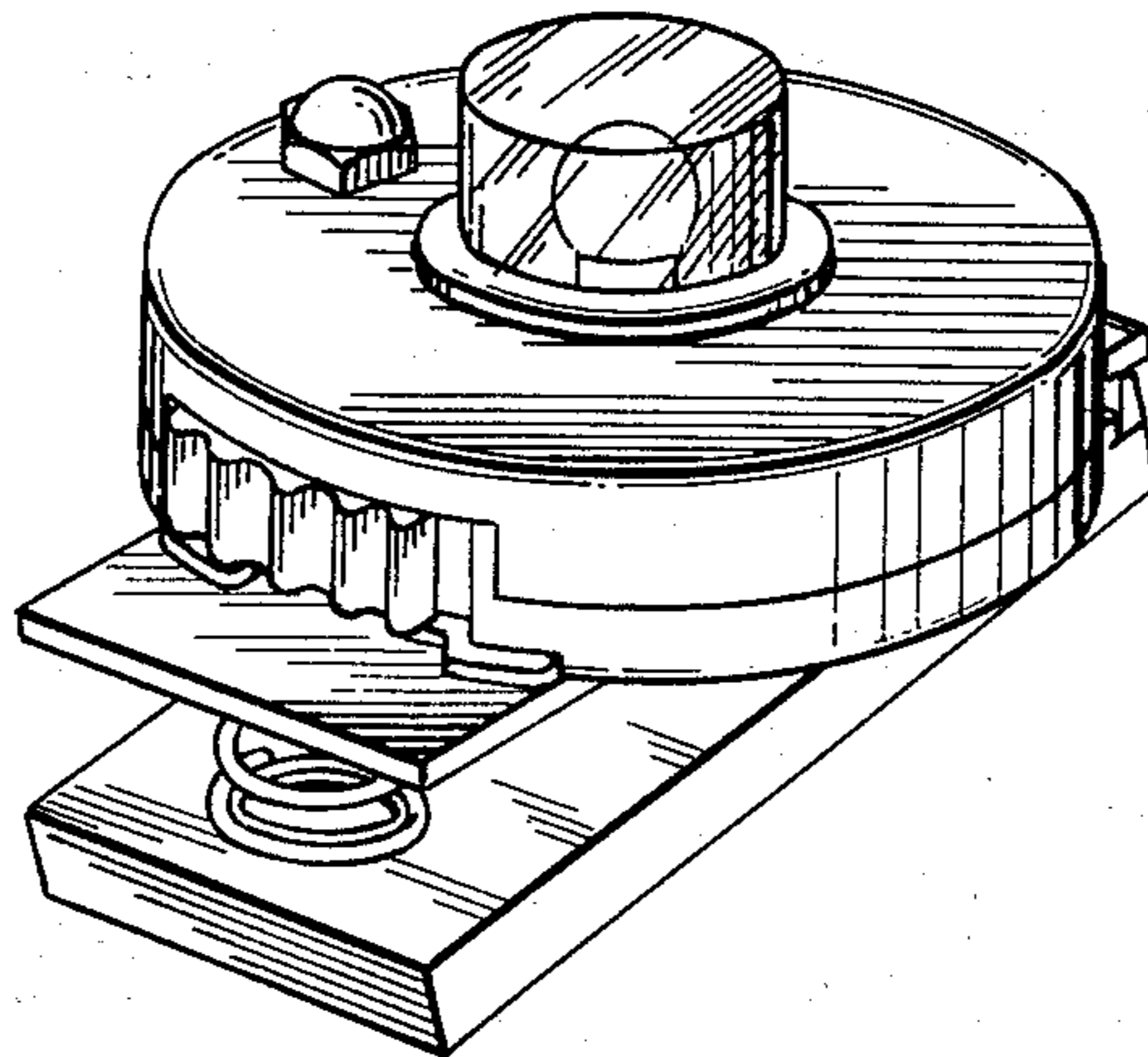


Fig. 1.

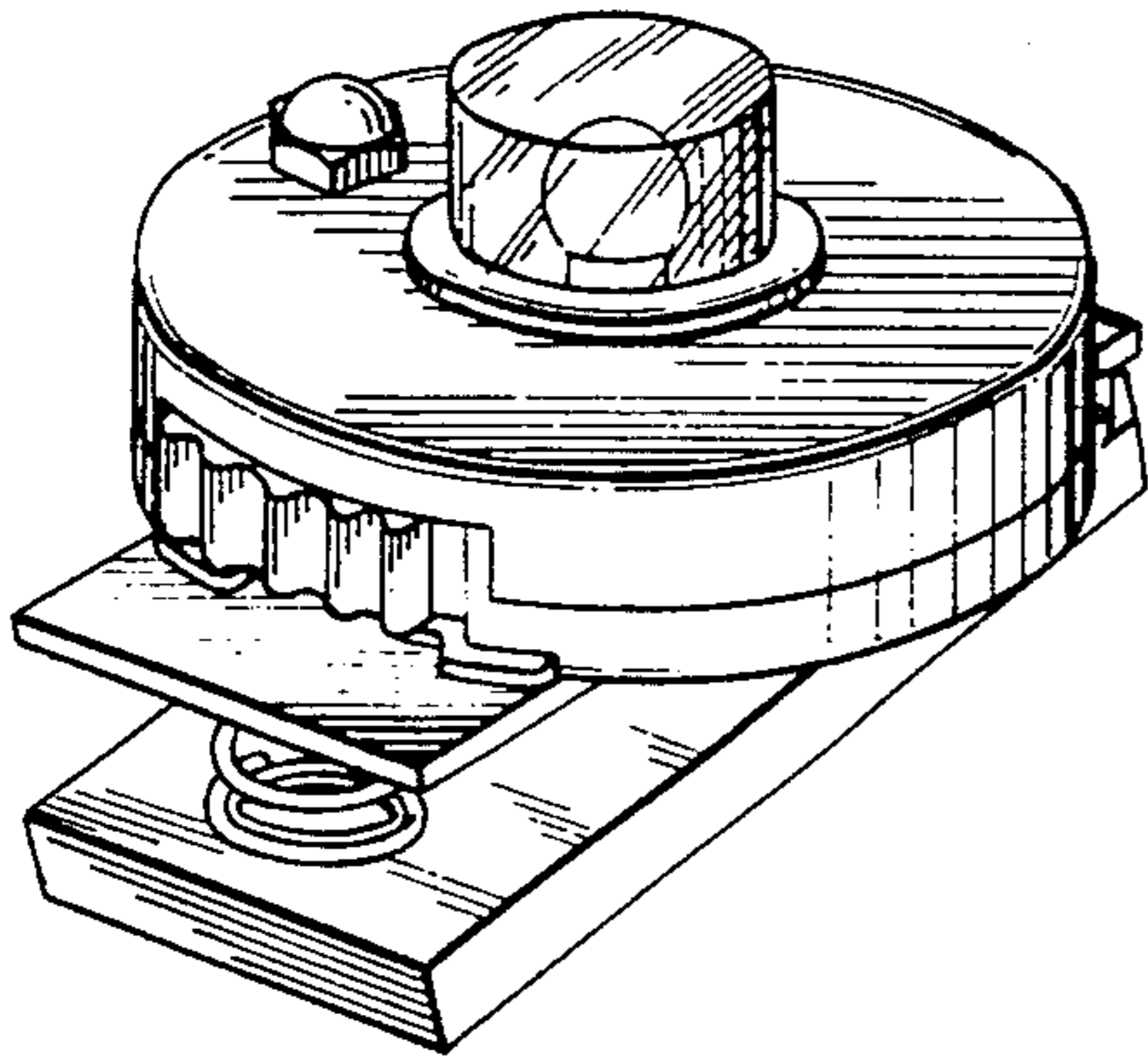


Fig. 2.

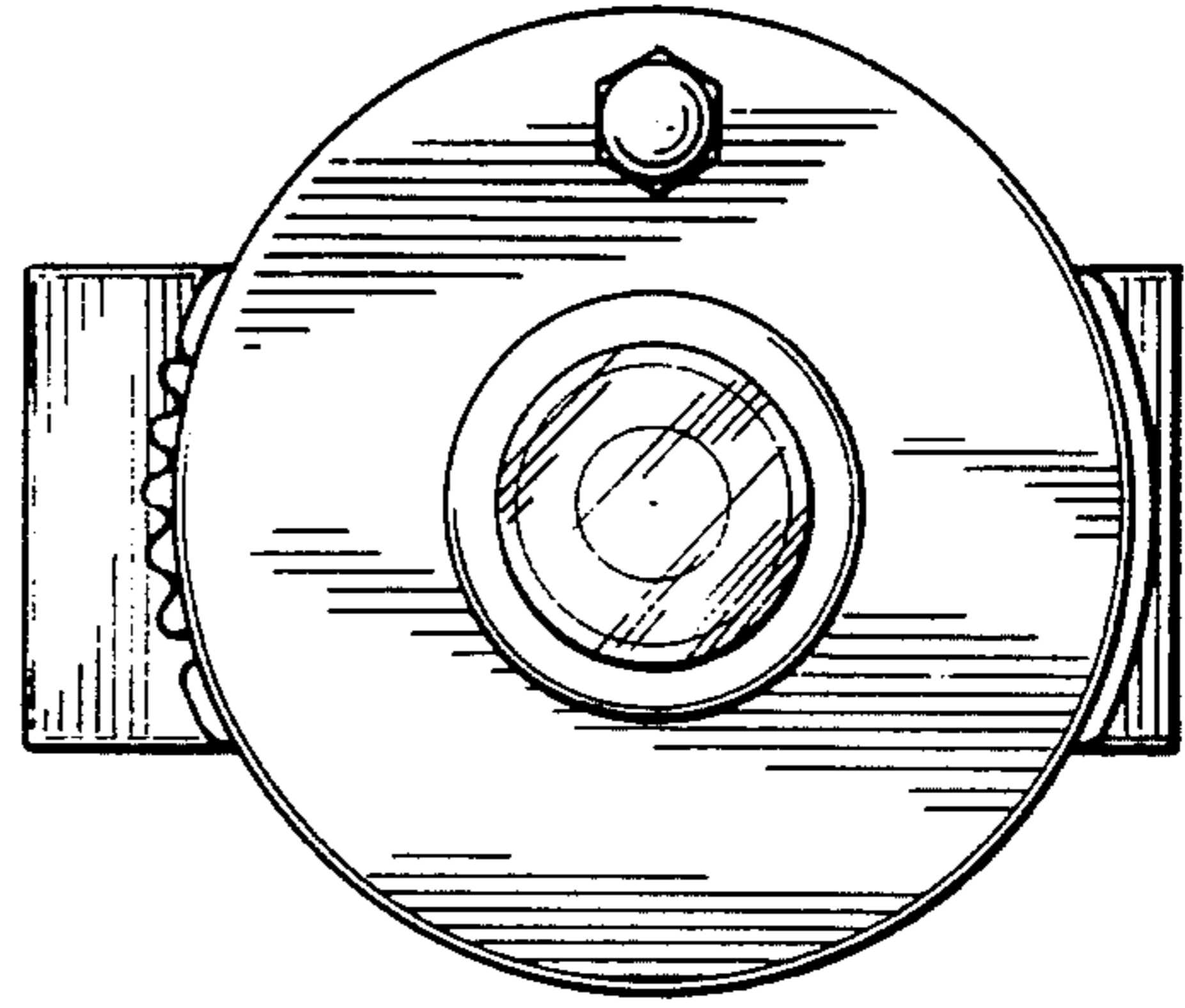


Fig. 4.

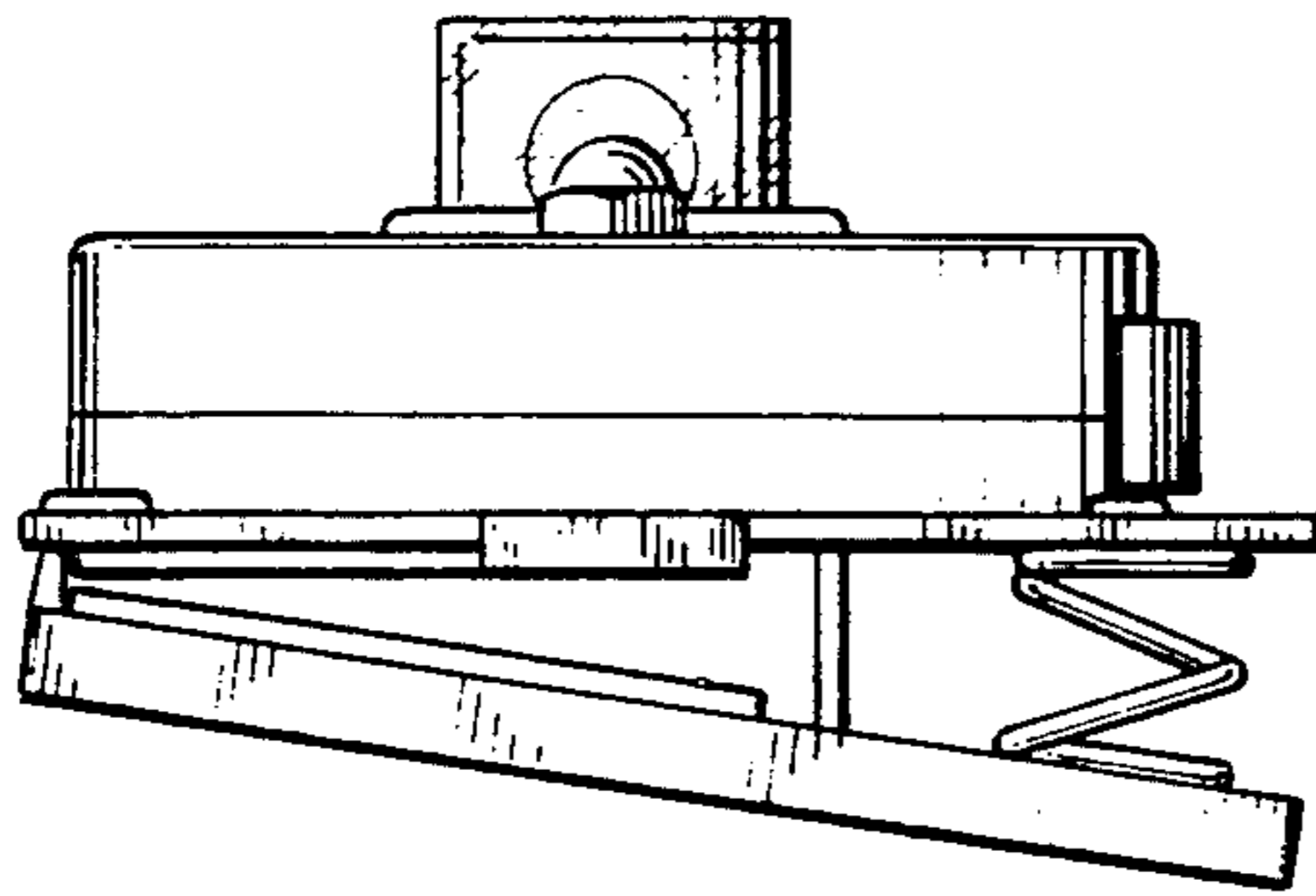


Fig. 3.

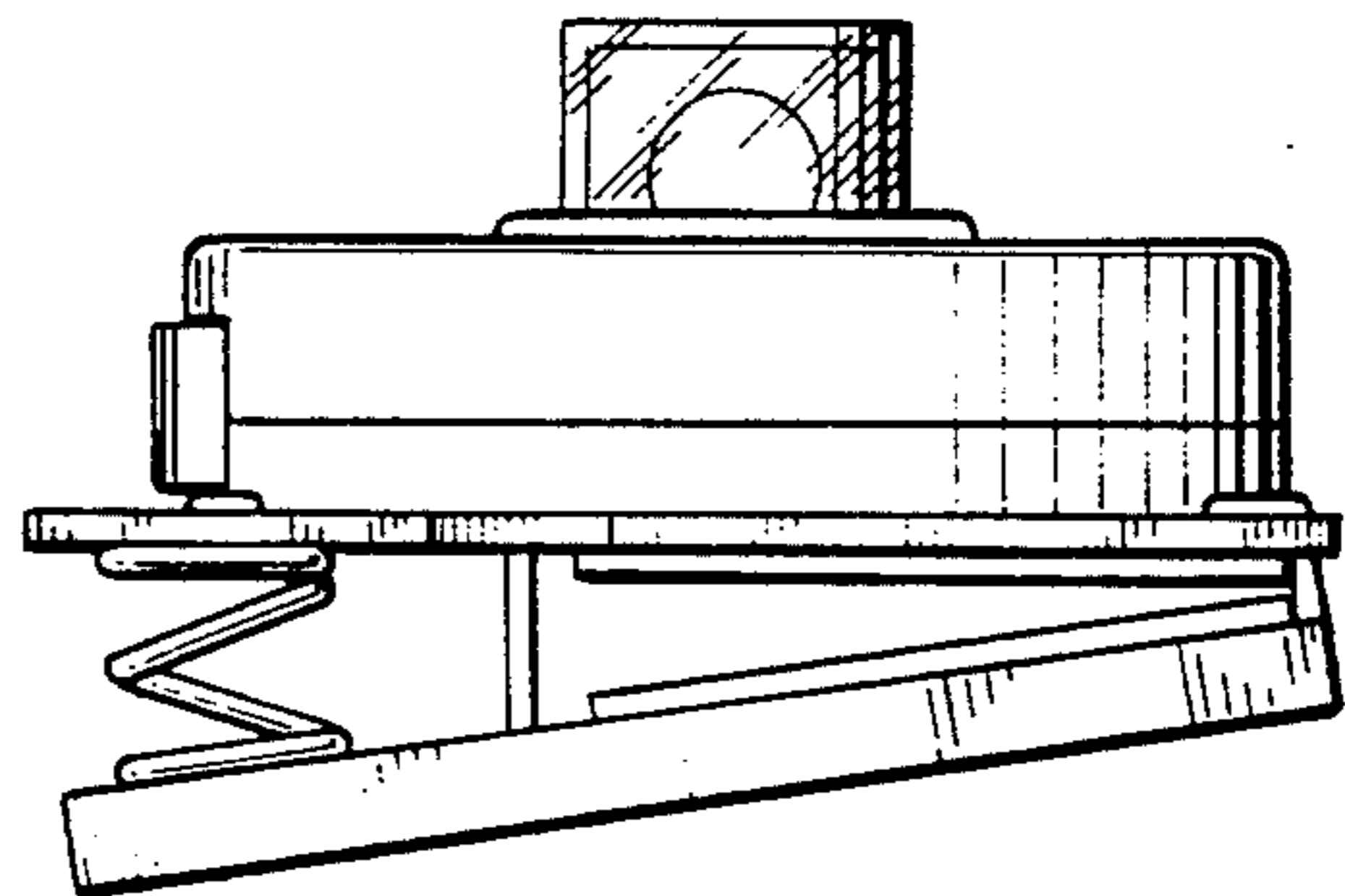


Fig. 5.

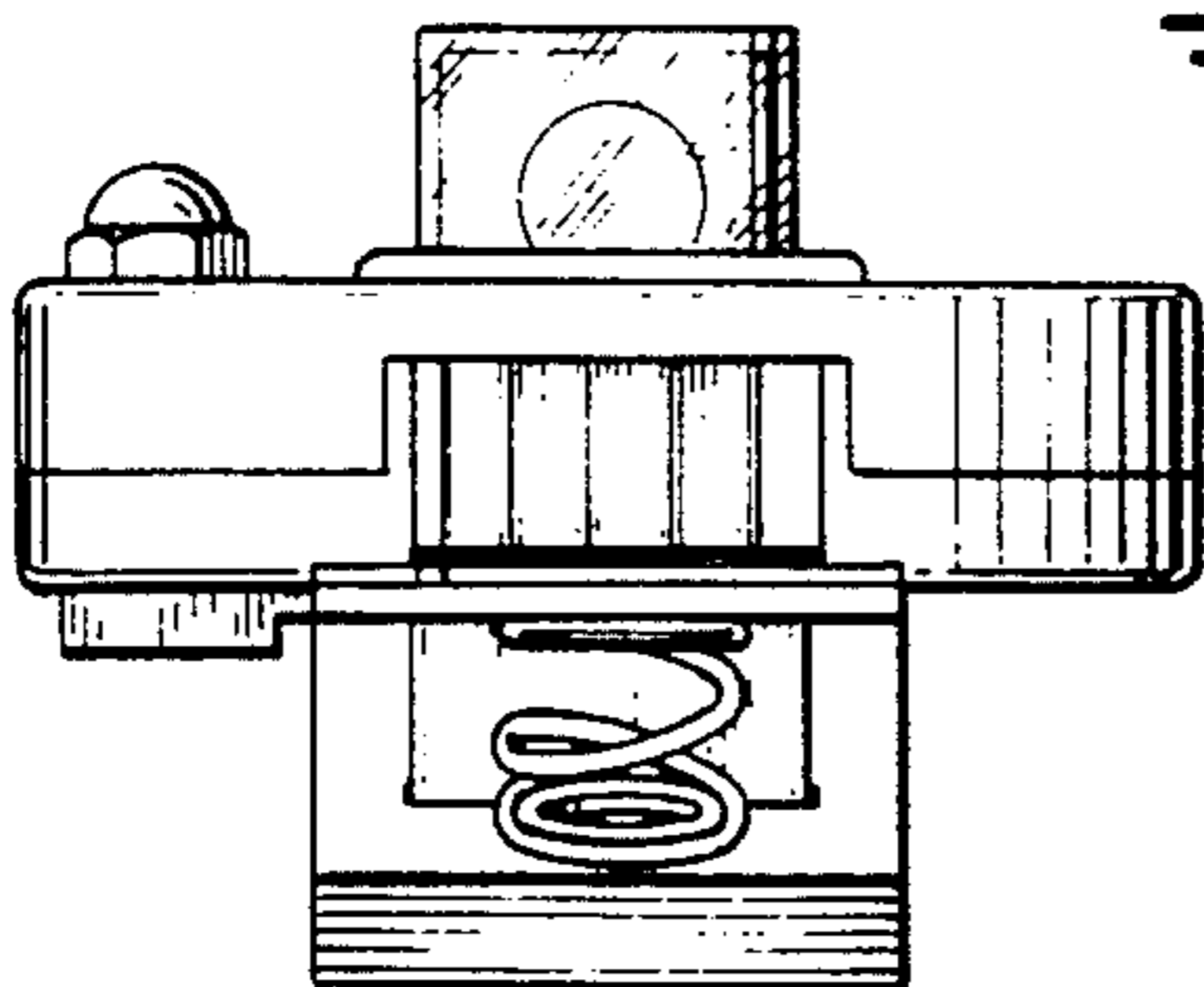


Fig. 6.

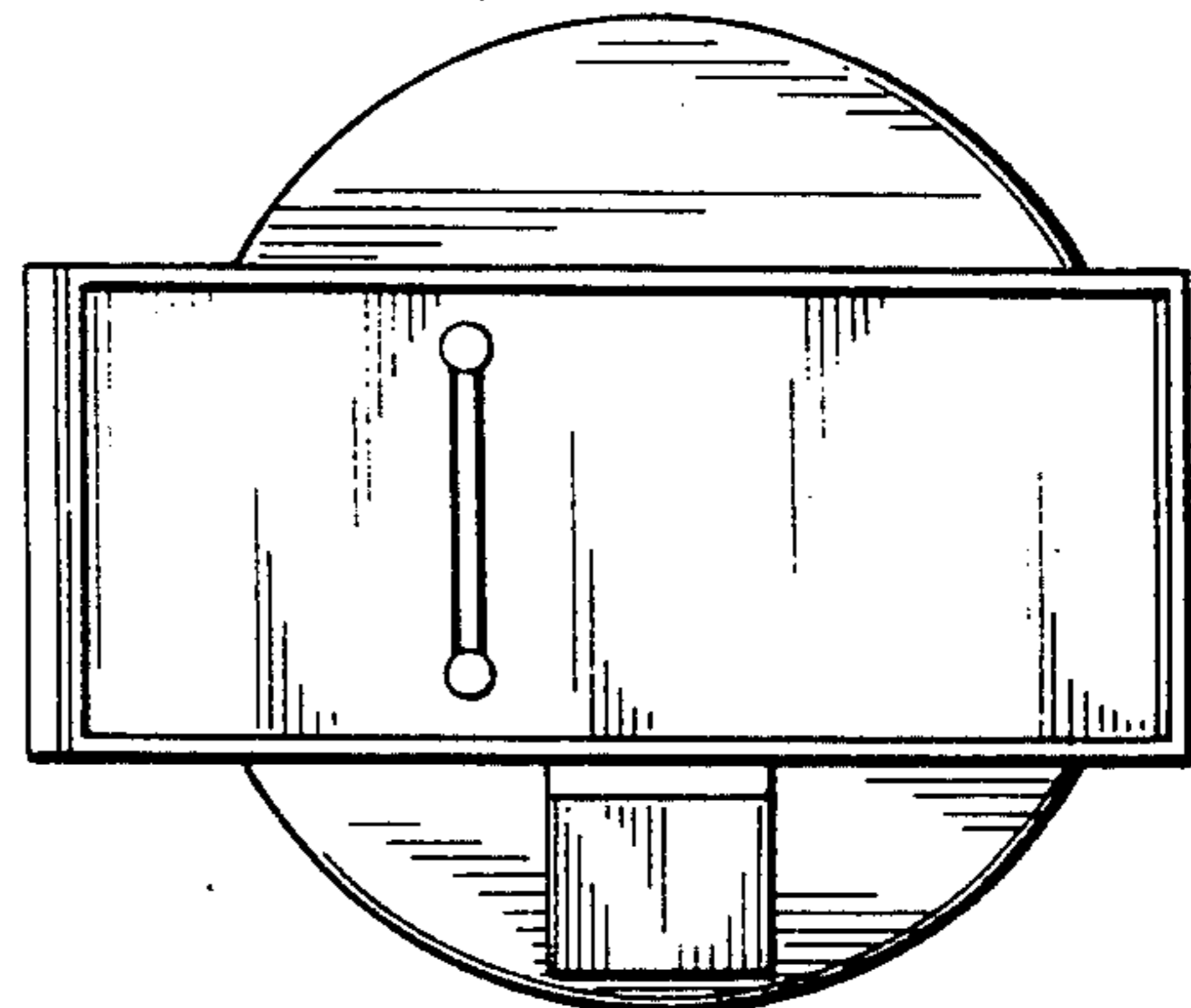


Fig. 7.

