

[54] CONTROL CABINET OF A DENTAL
PROPHYLAXIS UNIT

[75] Inventor: Bernd Bühner, Oberschleissheim,
Fed. Rep. of Germany

[73] Assignee: Electro Medical Systems, S.A., Le
Sentier, Switzerland

[**] Term: 14 Years

[21] Appl. No.: 489,123

[22] Filed: Apr. 27, 1983

[52] U.S. Cl. D24/5

[58] Field of Search D24/4, 5, 10-16;
433/25, 77-79, 82, 98, 141

[56] References Cited

U.S. PATENT DOCUMENTS

- D. 204,983 6/1966 Stram et al. D24/5
- D. 218,165 7/1970 Schleicher et al. D24/5

D. 243,188 1/1977 Meyer D24/5

Primary Examiner—Catherine E. Kemper
Attorney, Agent, or Firm—Hill, Van Santen, Steadman &
Simpson

[57] CLAIM

The ornamental design for a control cabinet of a dental
prophylaxis unit, as shown and described.

DESCRIPTION

FIG. 1 is a front perspective view of a control cabinet of
a dental prophylaxis unit, showing my new design;
FIG. 2 is a right side elevational view thereof;
FIG. 3 is a left side elevational view thereof;
FIG. 4 is a top plan view thereof;
FIG. 5 is a rear elevational view thereof;
FIG. 6 is a bottom plan view thereof.
The broken line disclosure of the dental instruments in
FIG. 1 is for illustrative purposes only and forms no
part of the claimed design.

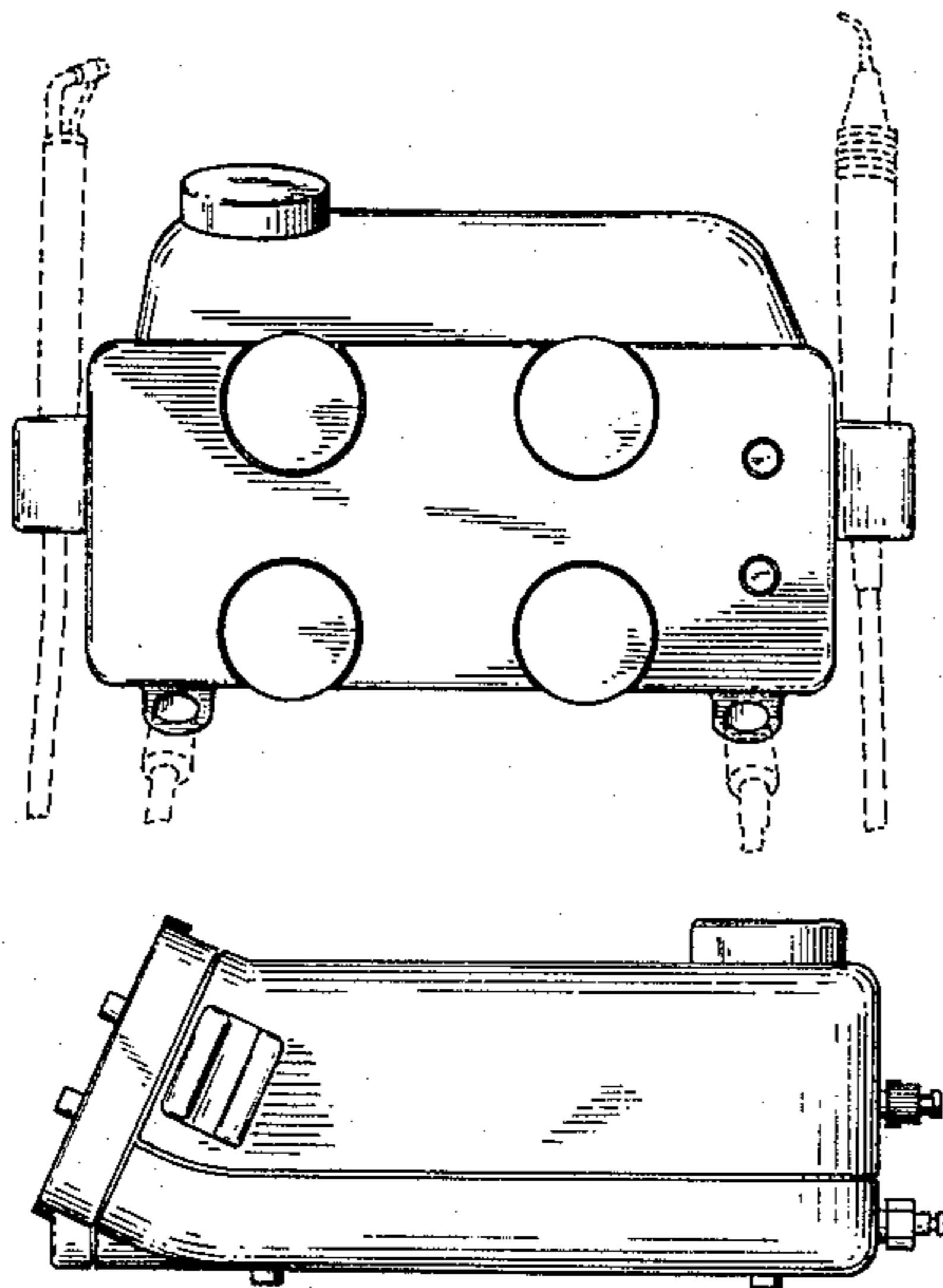


FIG. 1

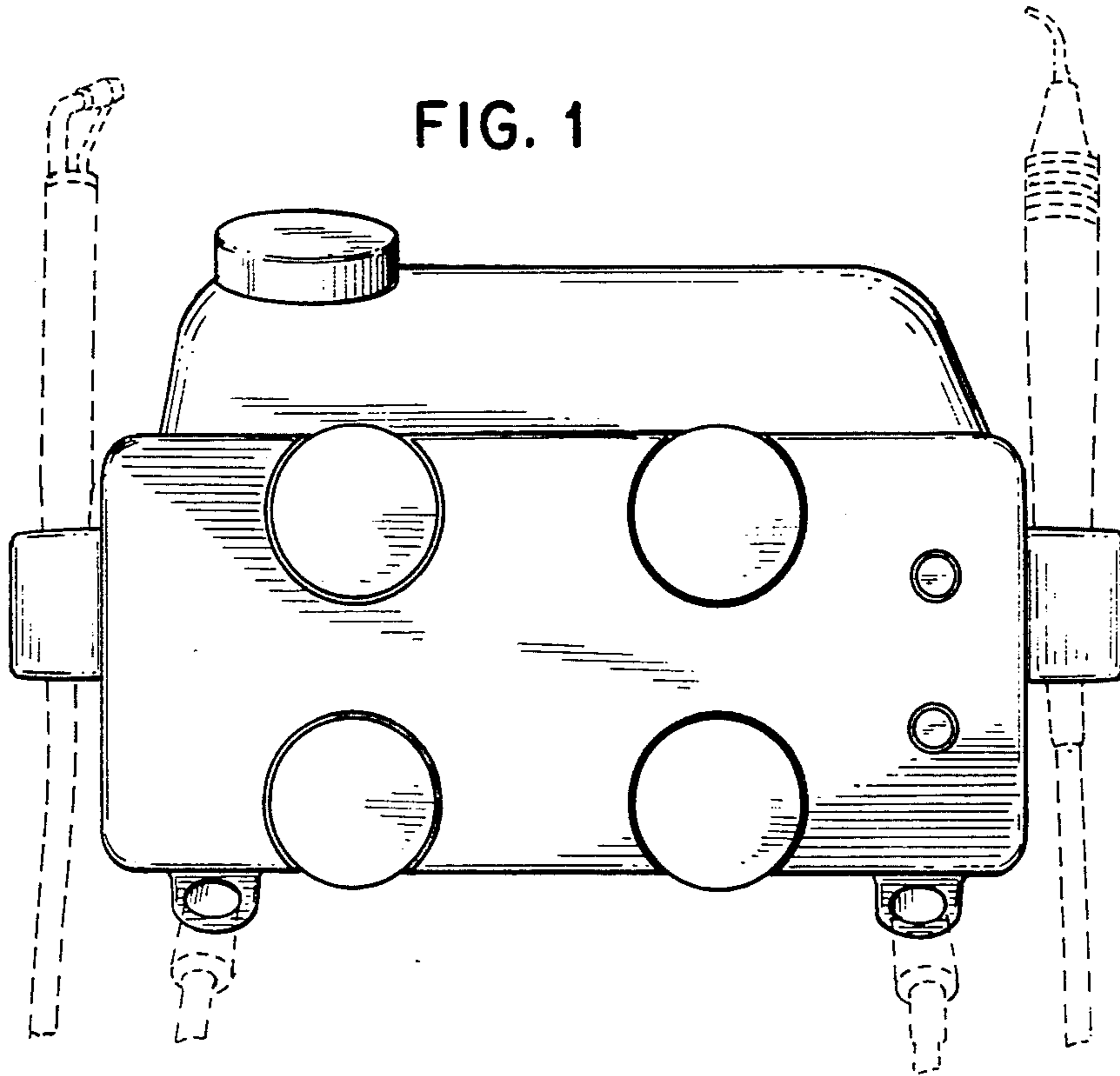


FIG. 2

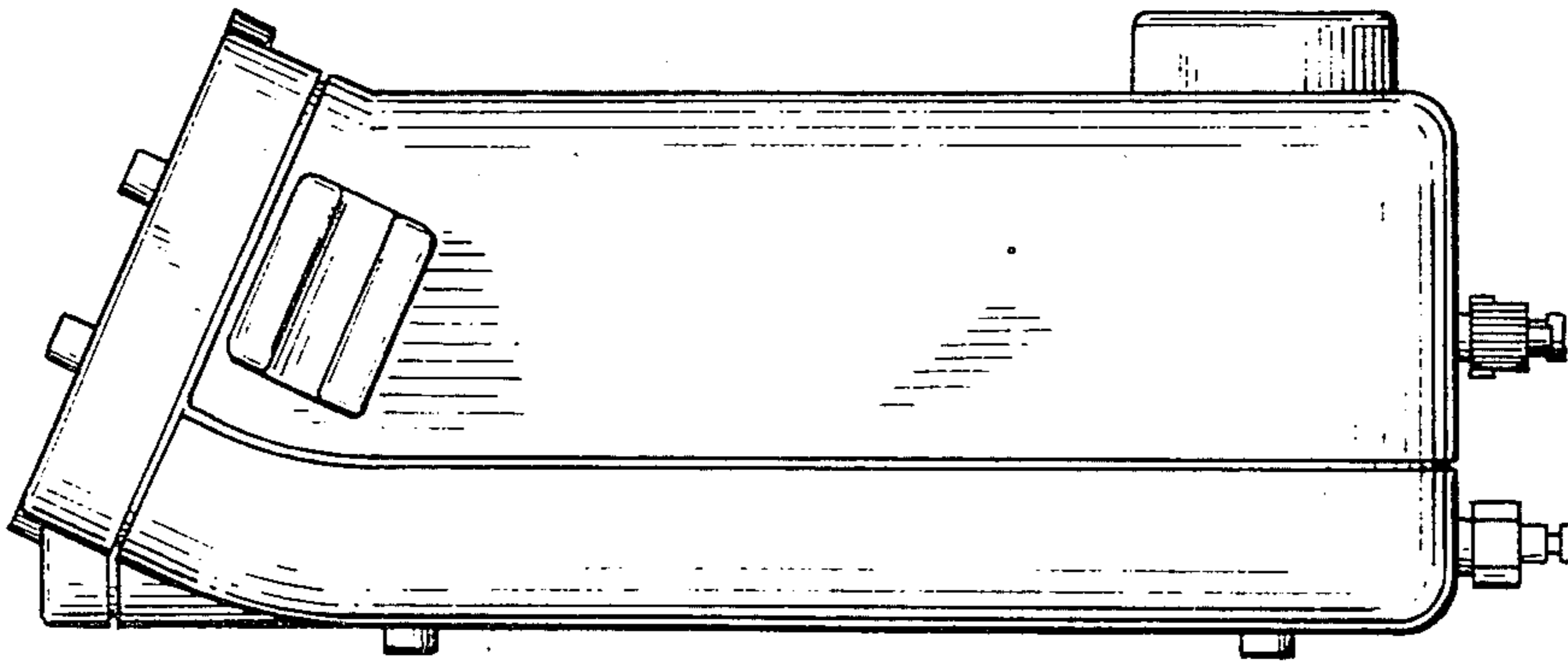


FIG. 3

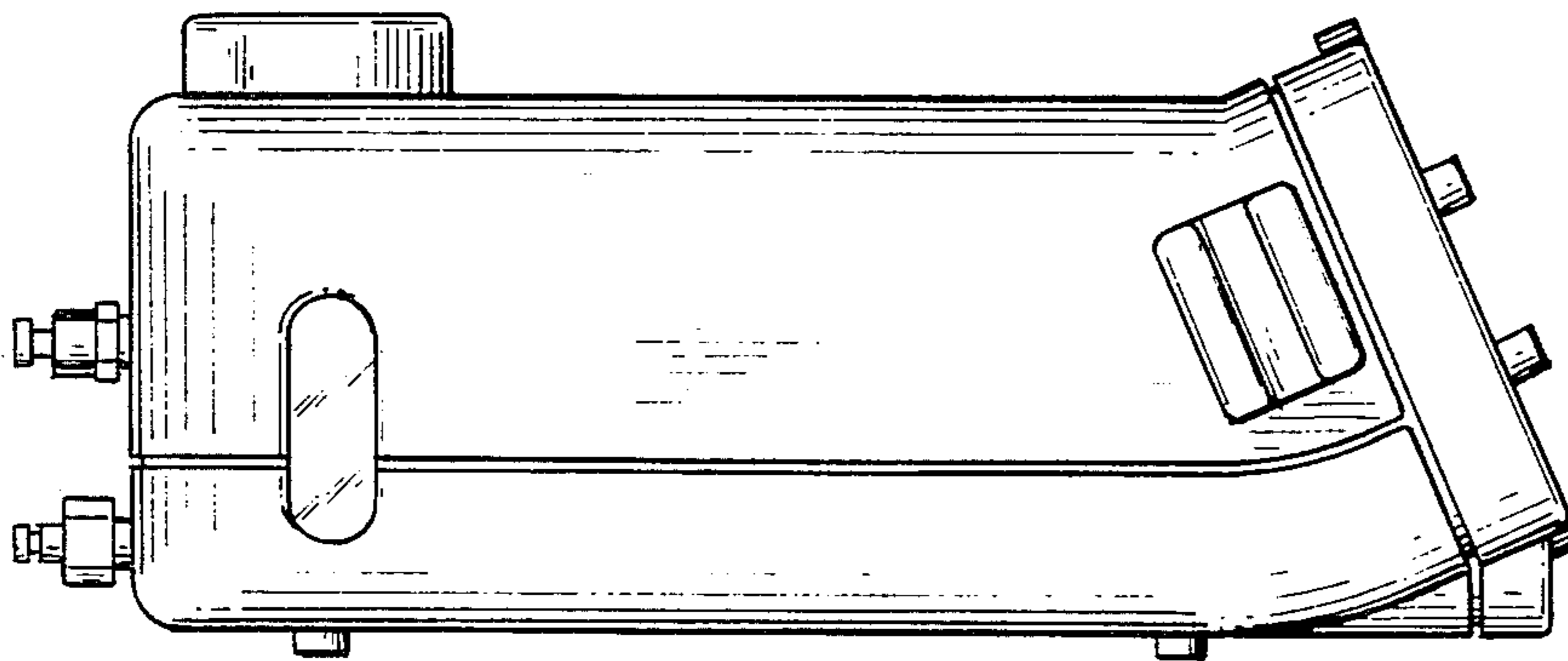


FIG. 4

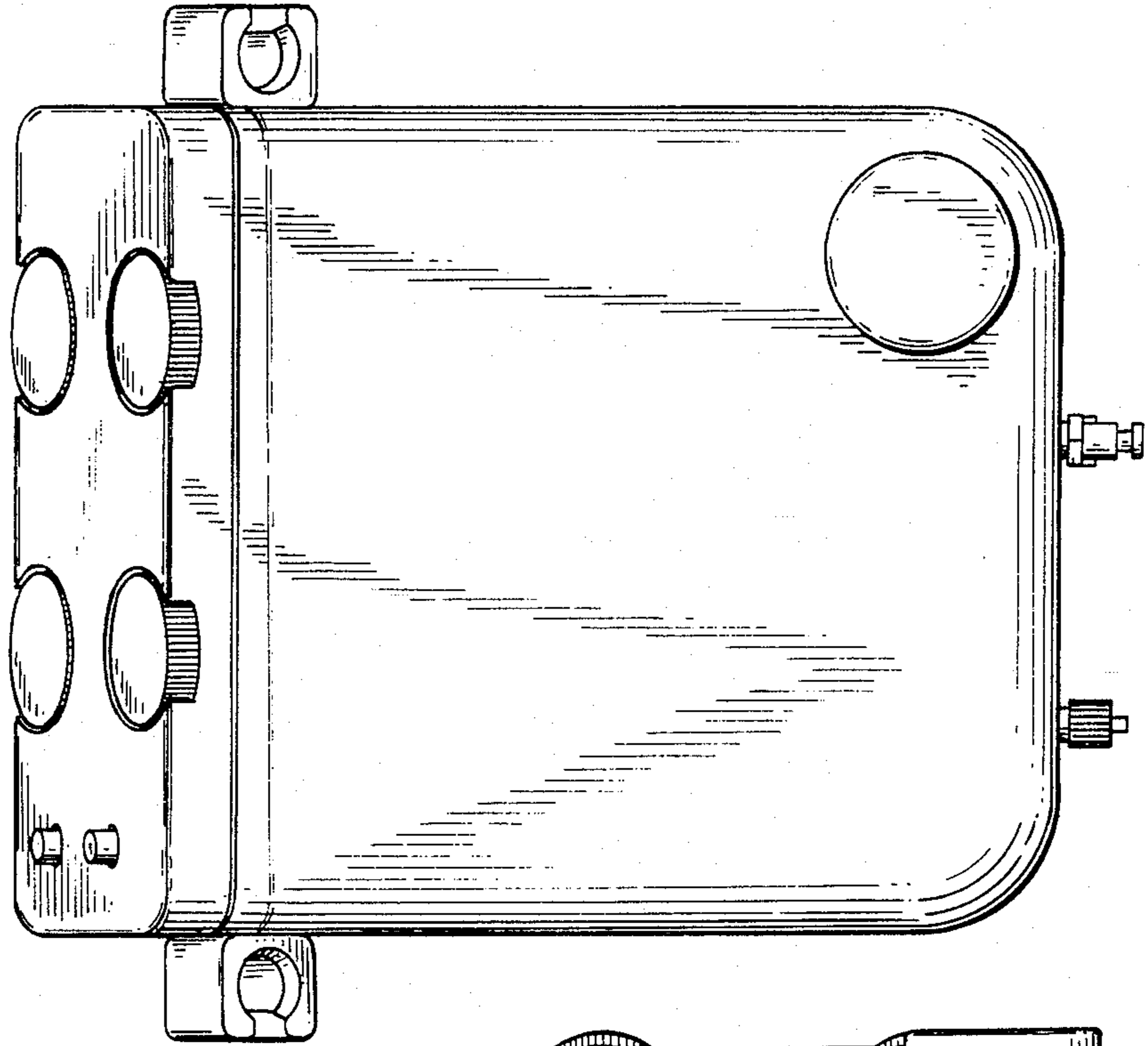


FIG. 5

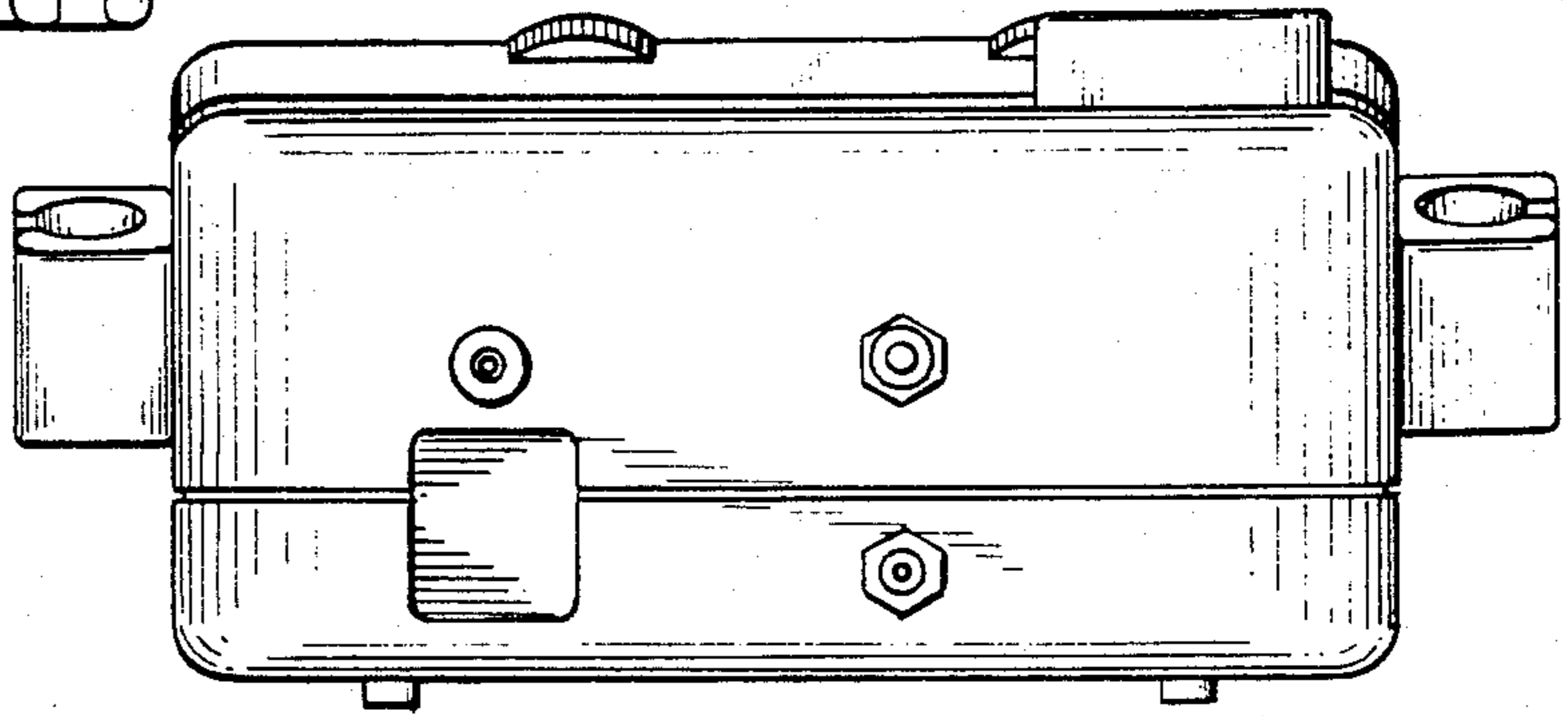


FIG. 6

