

[54] **GOLF PUTTER HEAD**

[76] **Inventor: Walker Reynolds, Jr., 14 Rendalia Rd., Anniston, Ala. 36201**

[**] **Term: 14 Years**

[21] **Appl. No.: 529,477**

[22] **Filed: Sep. 6, 1983**

[52] **U.S. Cl. D21/219**

[58] **Field of Search D21/214-220; 273/167-175, 164**

[56] **References Cited PUBLICATIONS**

Northwestern 1976 Golf Equip. Cat., p. 27, middle, No. 390-2600, Putter, and p. 26, lower right, No. 397-0020, Putter.

Golf Digest, Dec., 1977, p. 122, lower left, Lynx Ocelot, Putter.

Primary Examiner—Melvin B. Feifer
Attorney, Agent, or Firm—Woodford R. Thompson, Jr.

[57] **CLAIM**

The ornamental design for a golf putter head, as shown and described.

DESCRIPTION

FIG. 1 is a front perspective view of a golf putter head showing my new design;
FIG. 2 is a rear perspective view thereof;
FIG. 3 is a top plan view thereof;
FIG. 4 is a bottom view thereof;
FIG. 5 is a front elevational view thereof;
FIG. 6 is a rear elevational view thereof; and,
FIG. 7 is an end elevational view thereof looking from the right side of FIG. 3, the end not shown being a mirror image of the end shown.

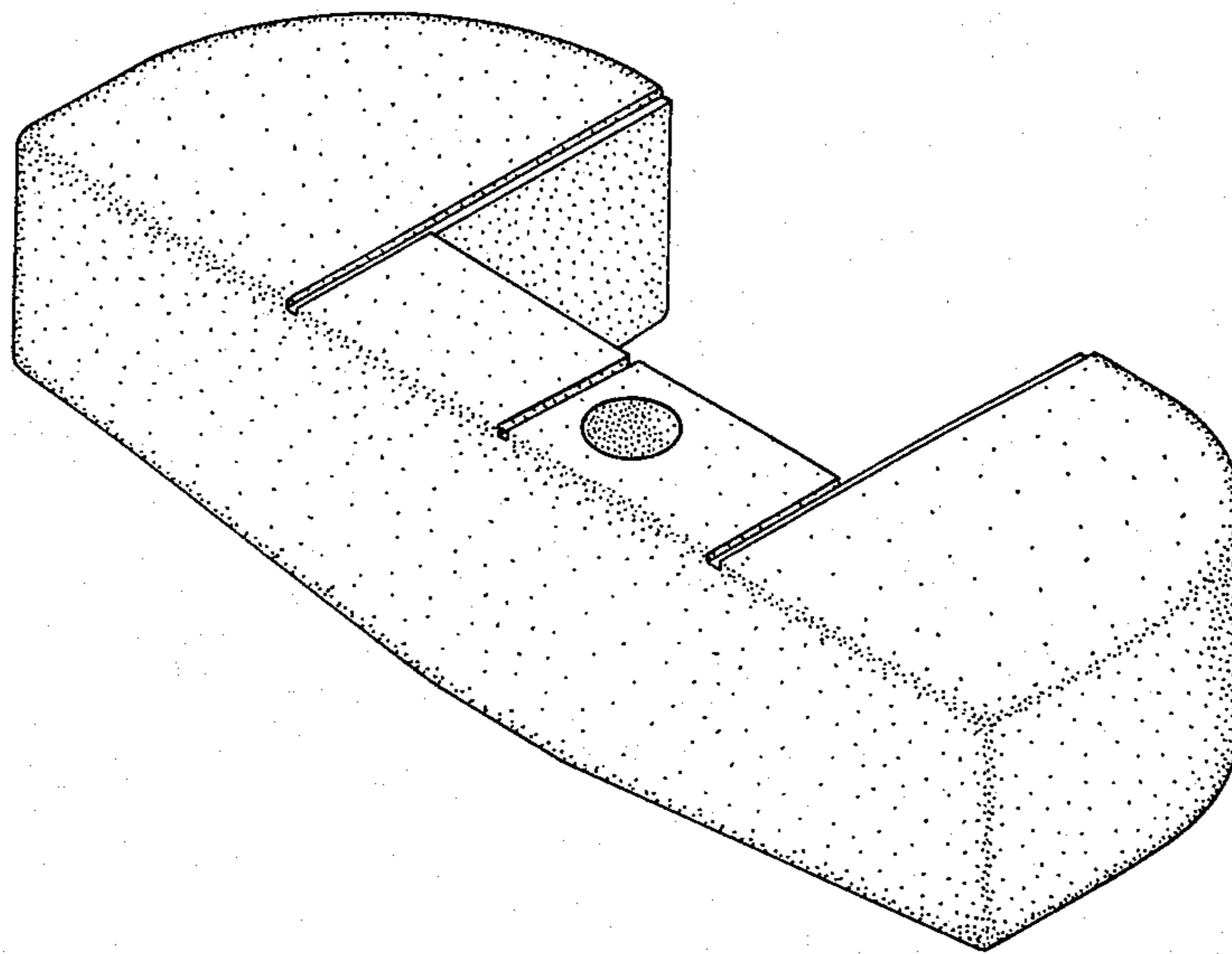


FIG. 1

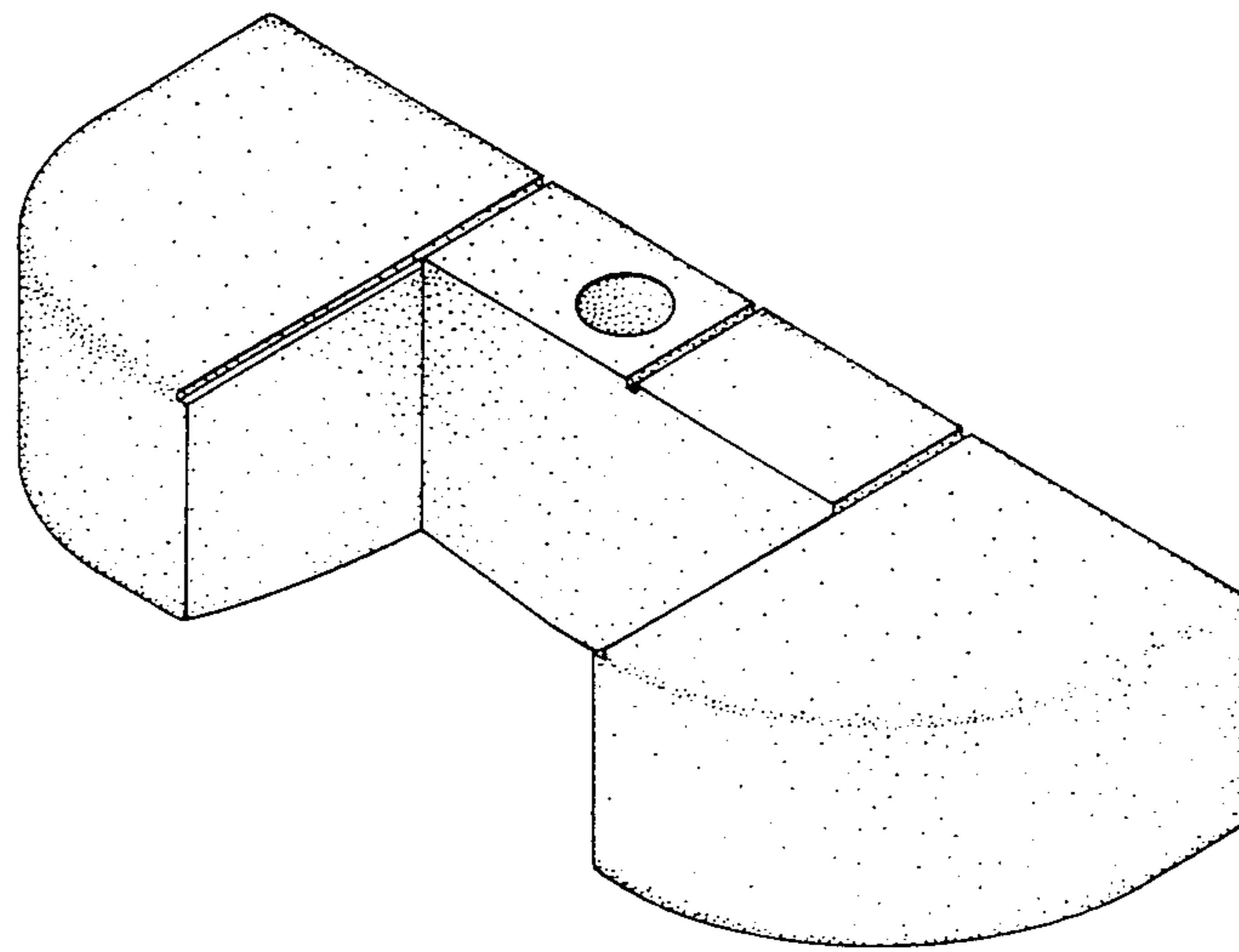
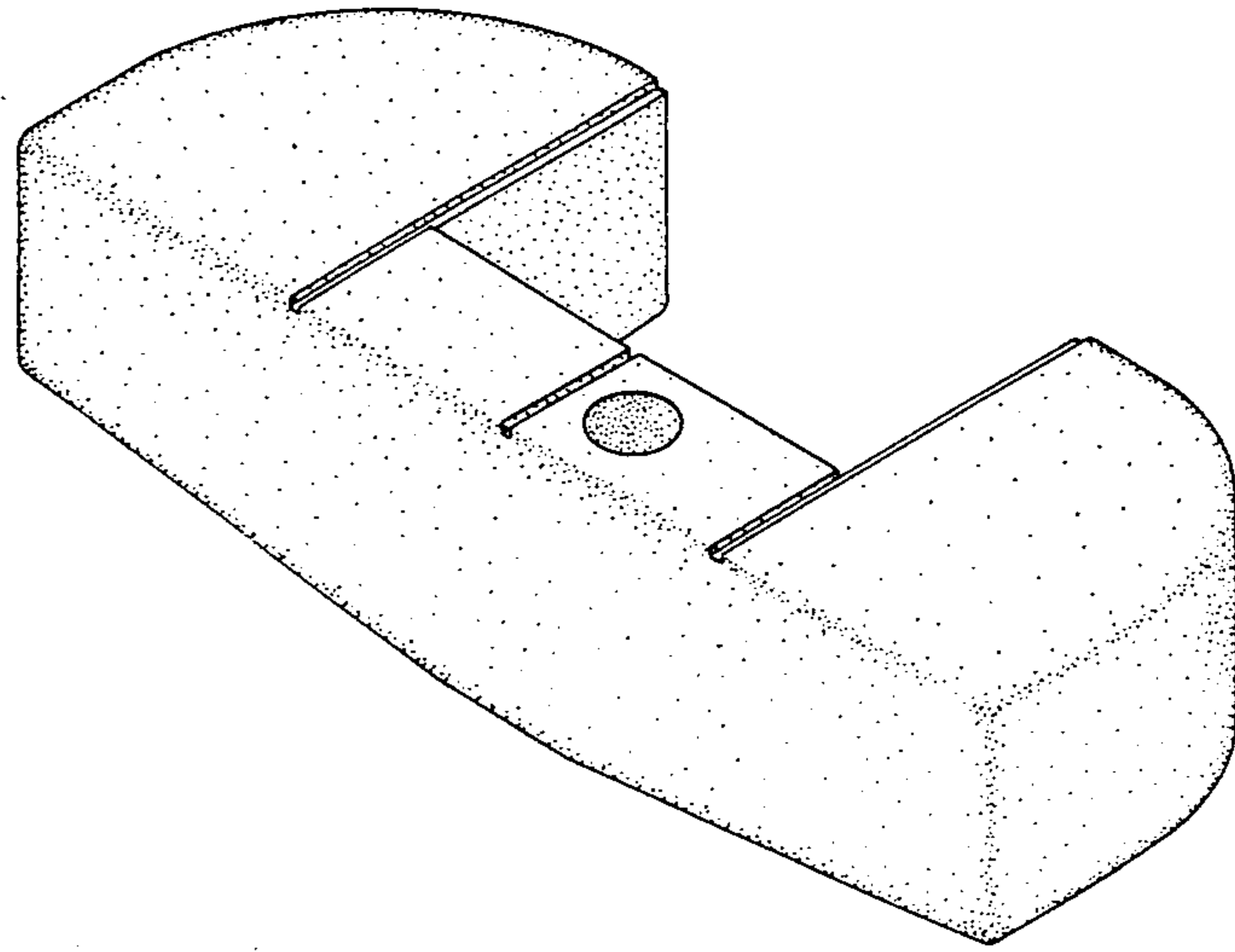


FIG. 2

FIG. 3

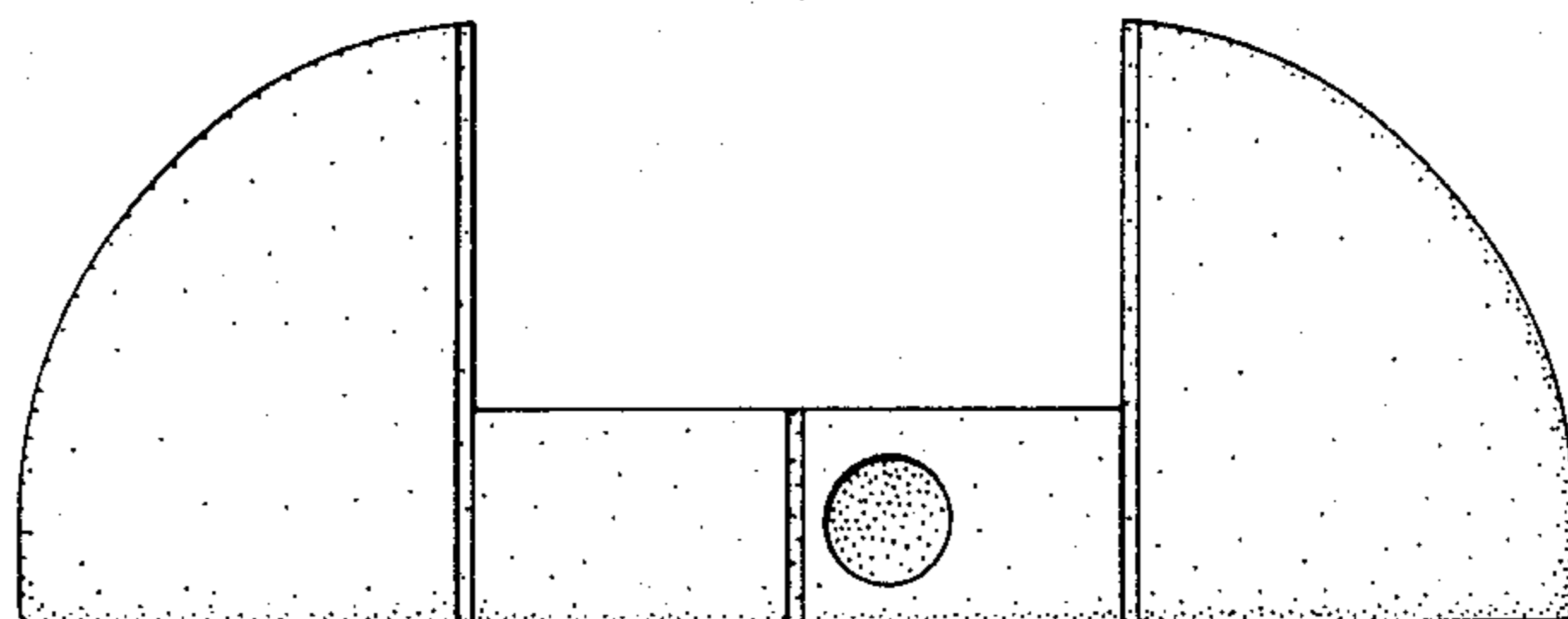


FIG. 4

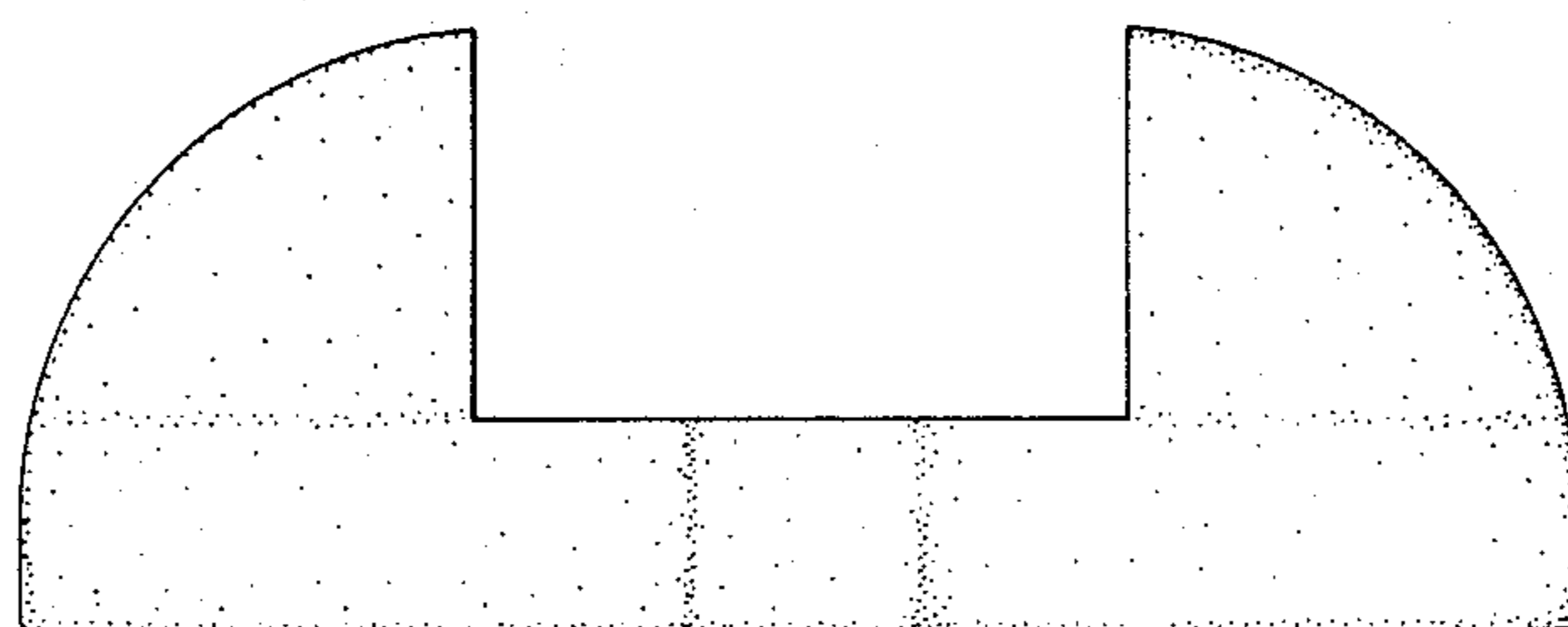


FIG. 5

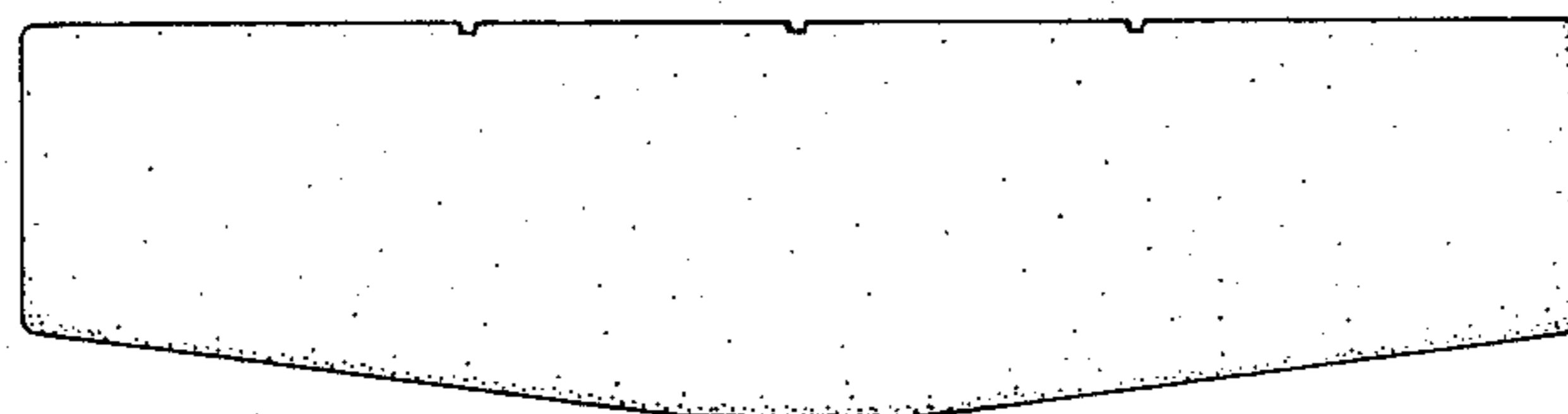


FIG. 6

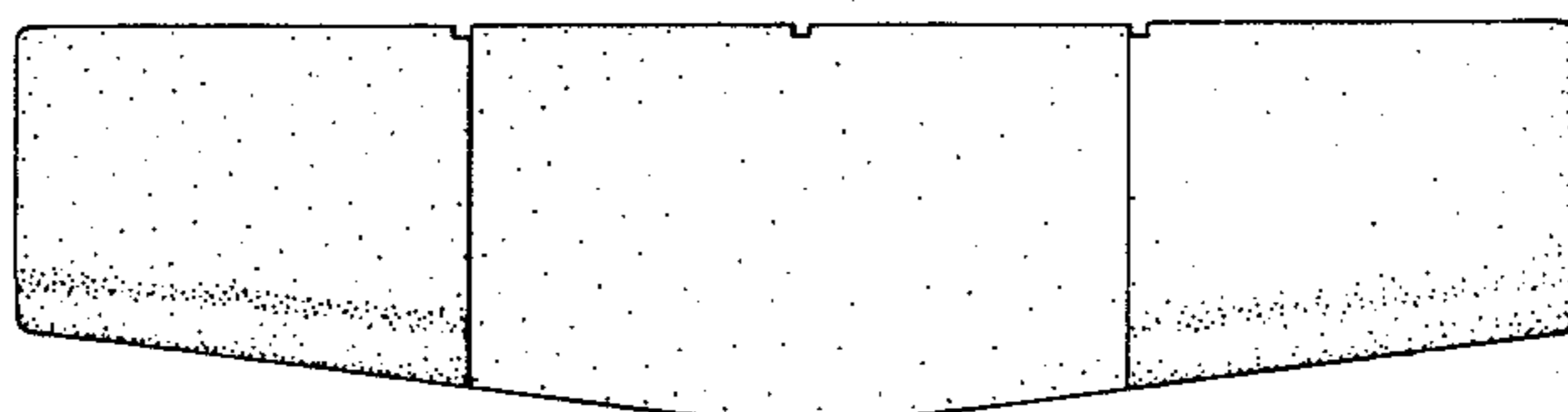


FIG. 7

