

[54] BICYCLE EXERCISER

[76] Inventor: Johnie E. Williams, P.O. Box 788, Fayetteville, Ga. 30214

[**] Term: 14 Years

[21] Appl. No.: 620,278

[22] Filed: Jun. 13, 1984

[52] U.S. Cl. D21/194

[58] Field of Search D21/191-199; 272/73, 79, DIG. 3, 132

[56] References Cited

U.S. PATENT DOCUMENTS

D. 158,675	5/1950	Longfellow	272/73
D. 226,670	4/1973	Nickels et al.	D21/194
2,673,088	3/1954	Wentz	272/73
3,622,153	11/1971	Thompson	272/73
4,390,177	6/1983	Biran et al.	272/73

OTHER PUBLICATIONS

"Comfortably Yours" Catalog, Winter Issue-1983, p. 39, Item F Exerciser.

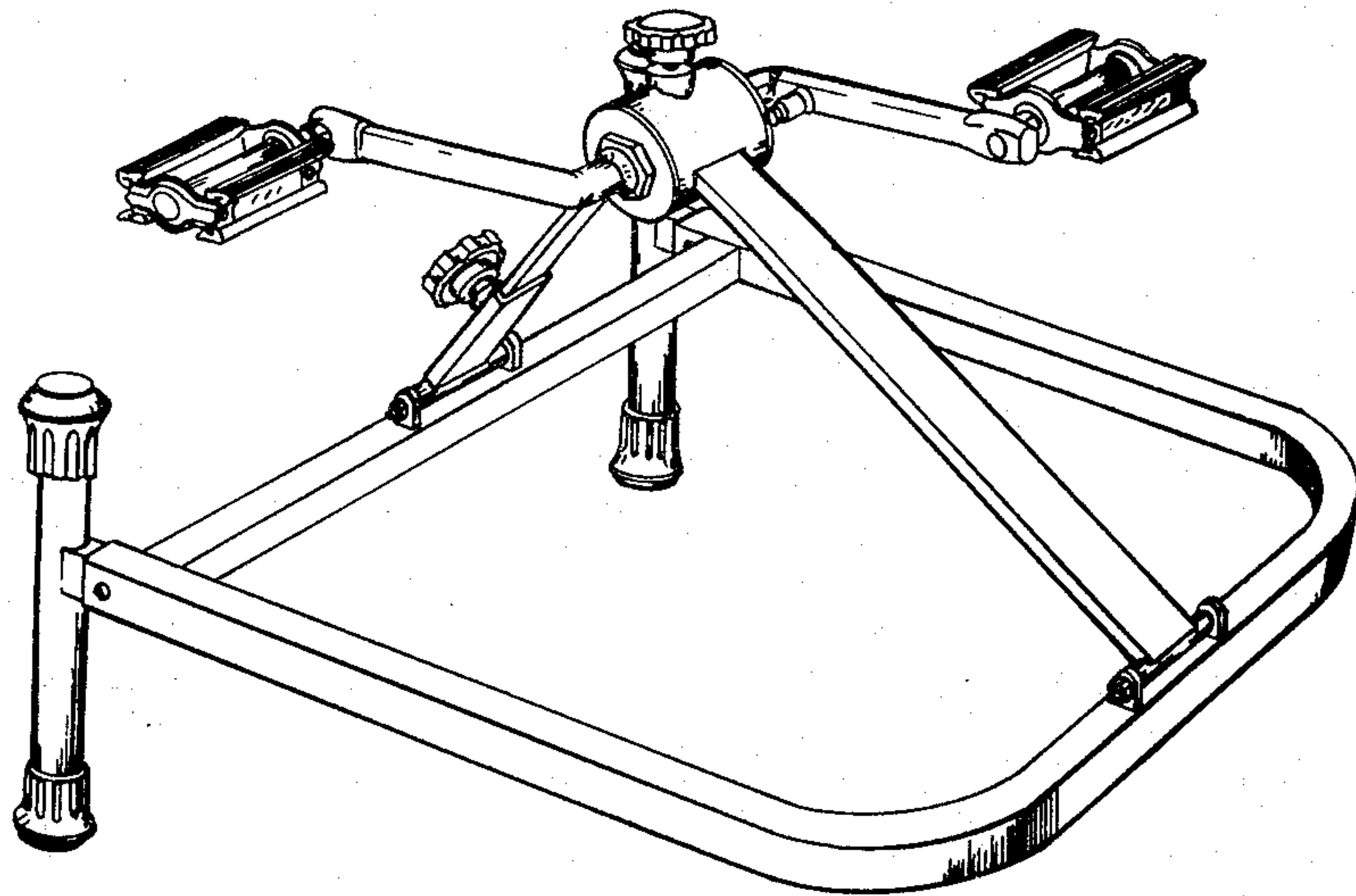
Primary Examiner—Charles A. Rademaker
Attorney, Agent, or Firm—Jones & Askew

[57] CLAIM

The ornamental design for a bicycle exerciser, substantially as shown.

DESCRIPTION

FIG. 1 is a perspective view of a bicycle exerciser showing my new design;
FIG. 2 is a top plan view thereof shown on a slightly reduced scale;
FIG. 3 is a bottom plan view thereof;
FIG. 4 is a front elevational view thereof;
FIG. 5 is a rear elevational view thereof;
FIG. 6 is a left side elevational view thereof shown on a slightly enlarged scale; and,
FIG. 7 is a right side elevational view thereof.



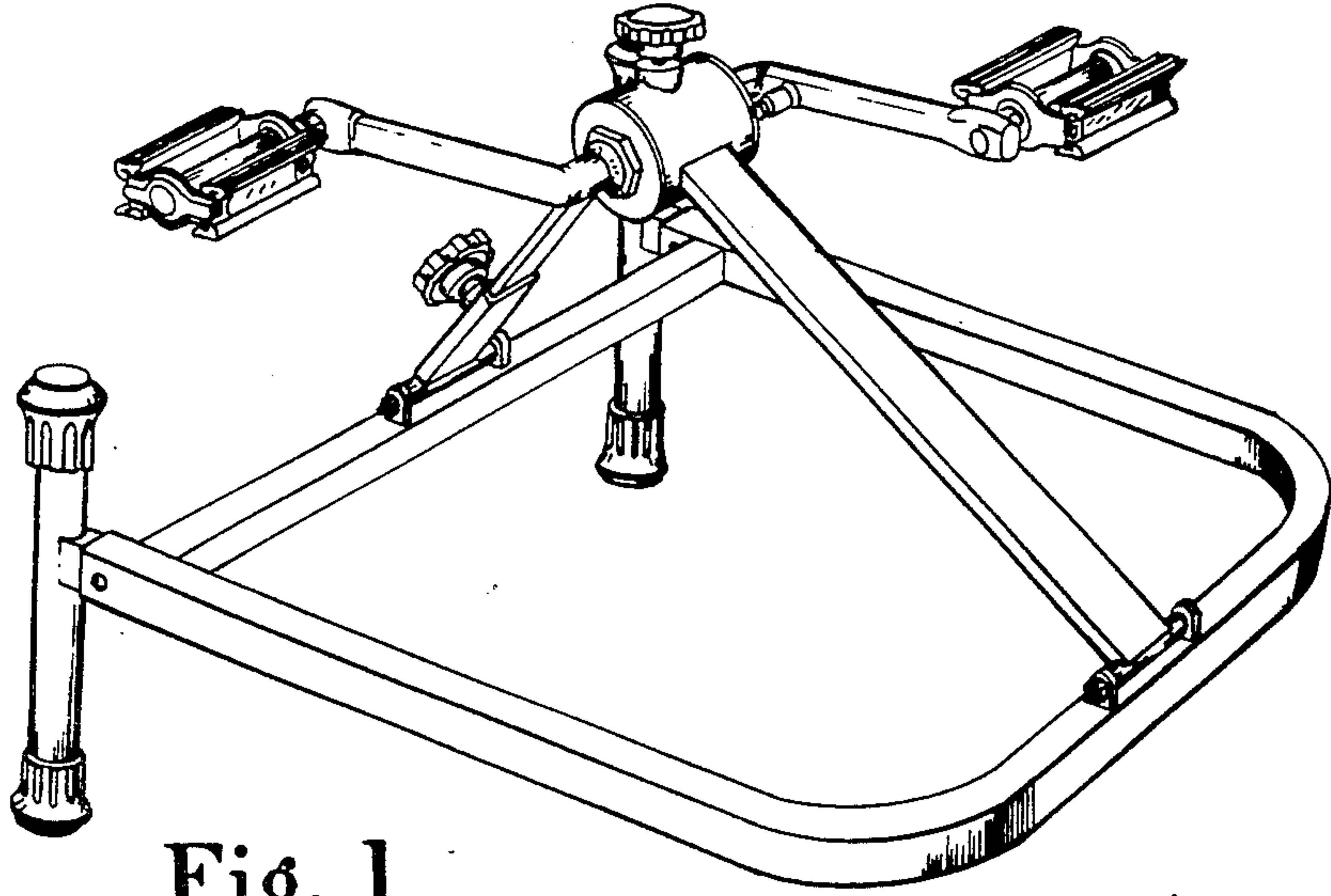


Fig. 1

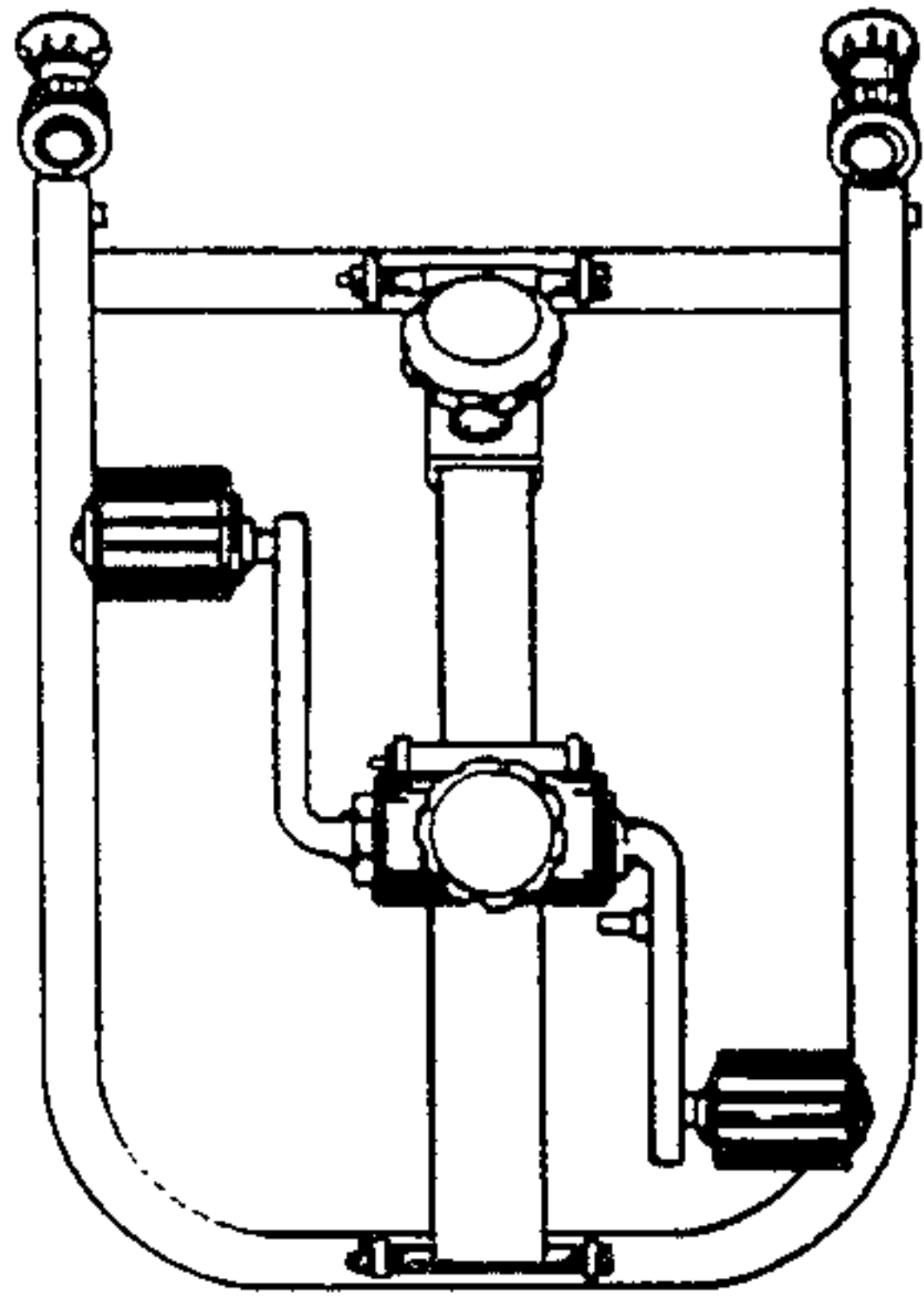


Fig. 2

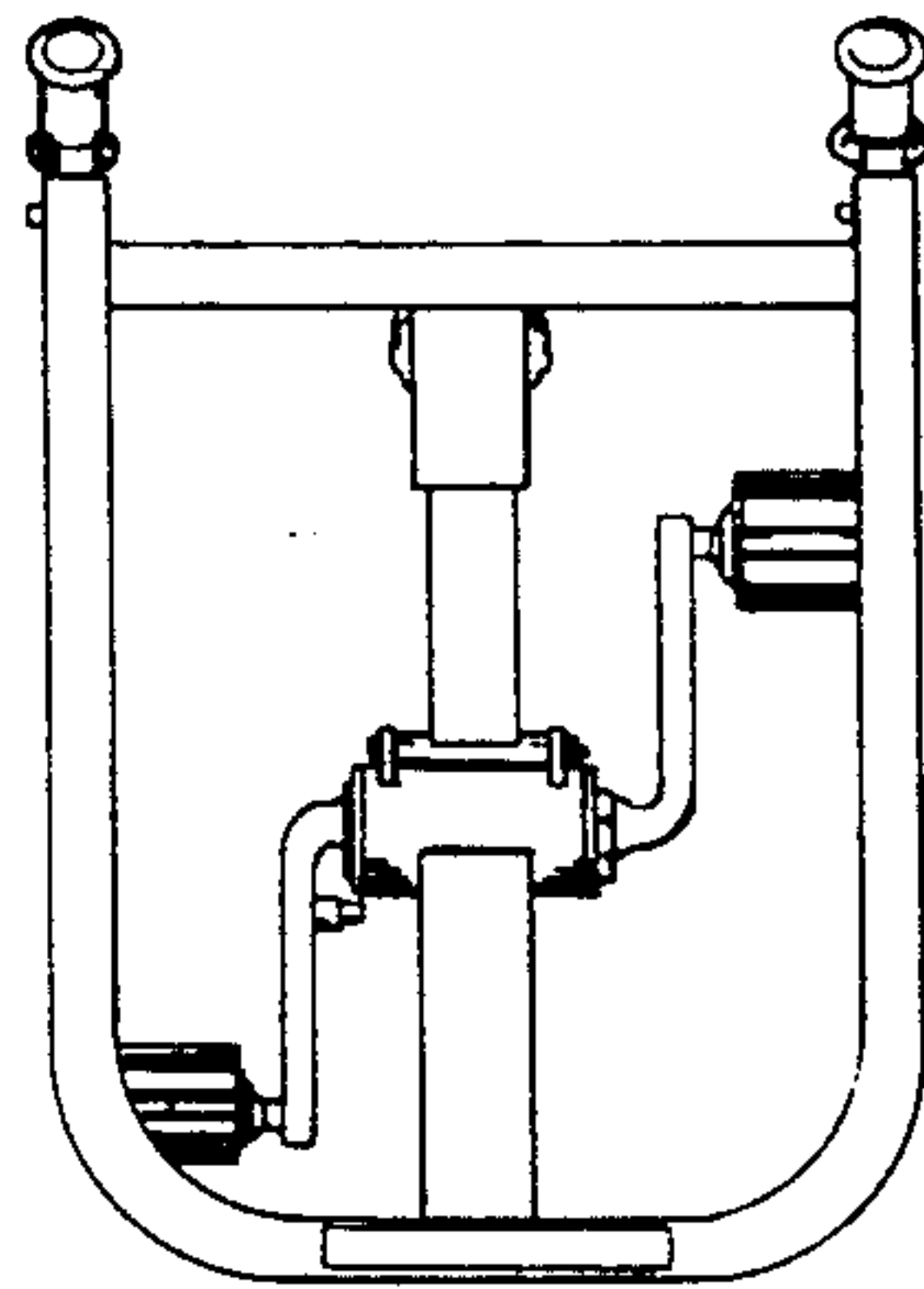


Fig. 3

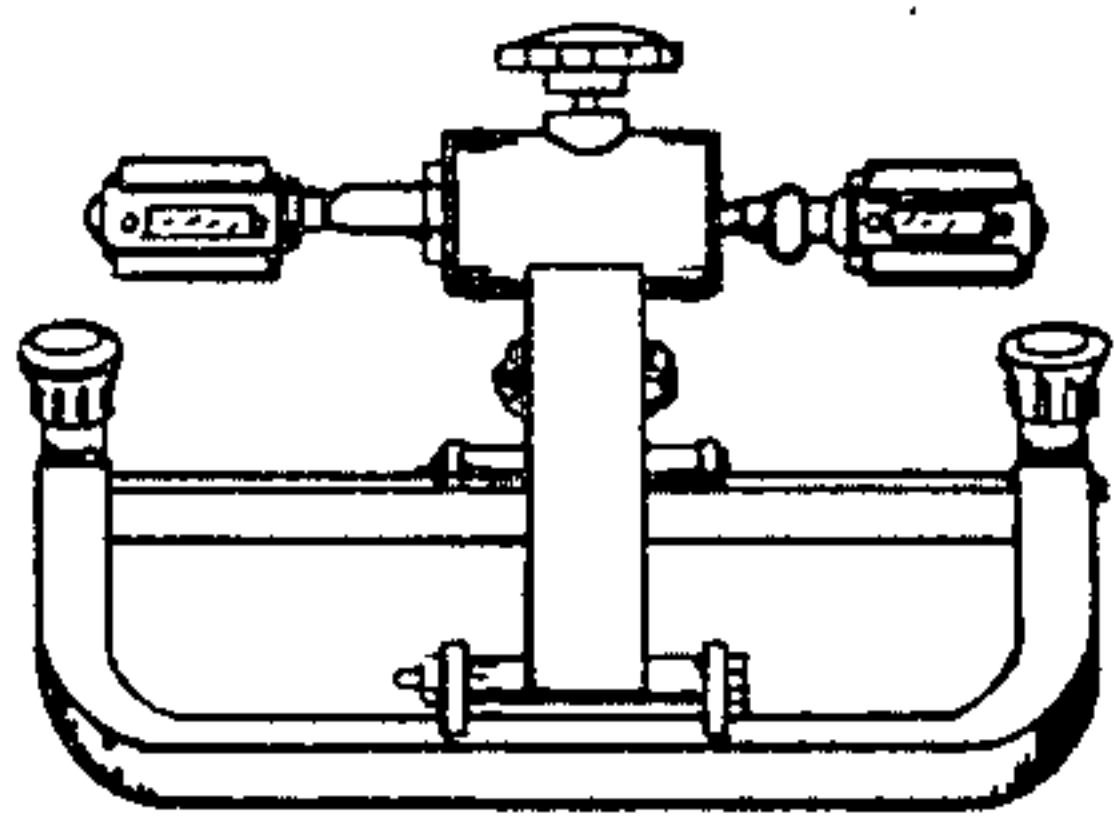


Fig. 4

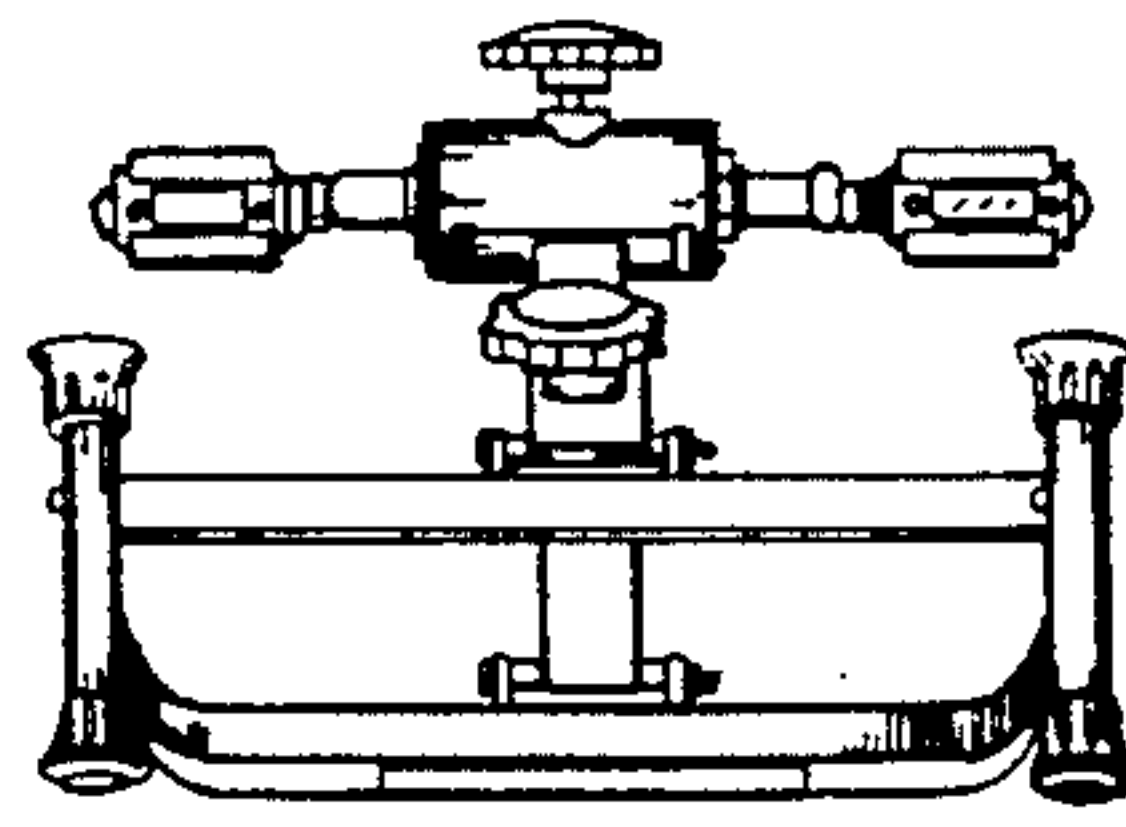


Fig. 5

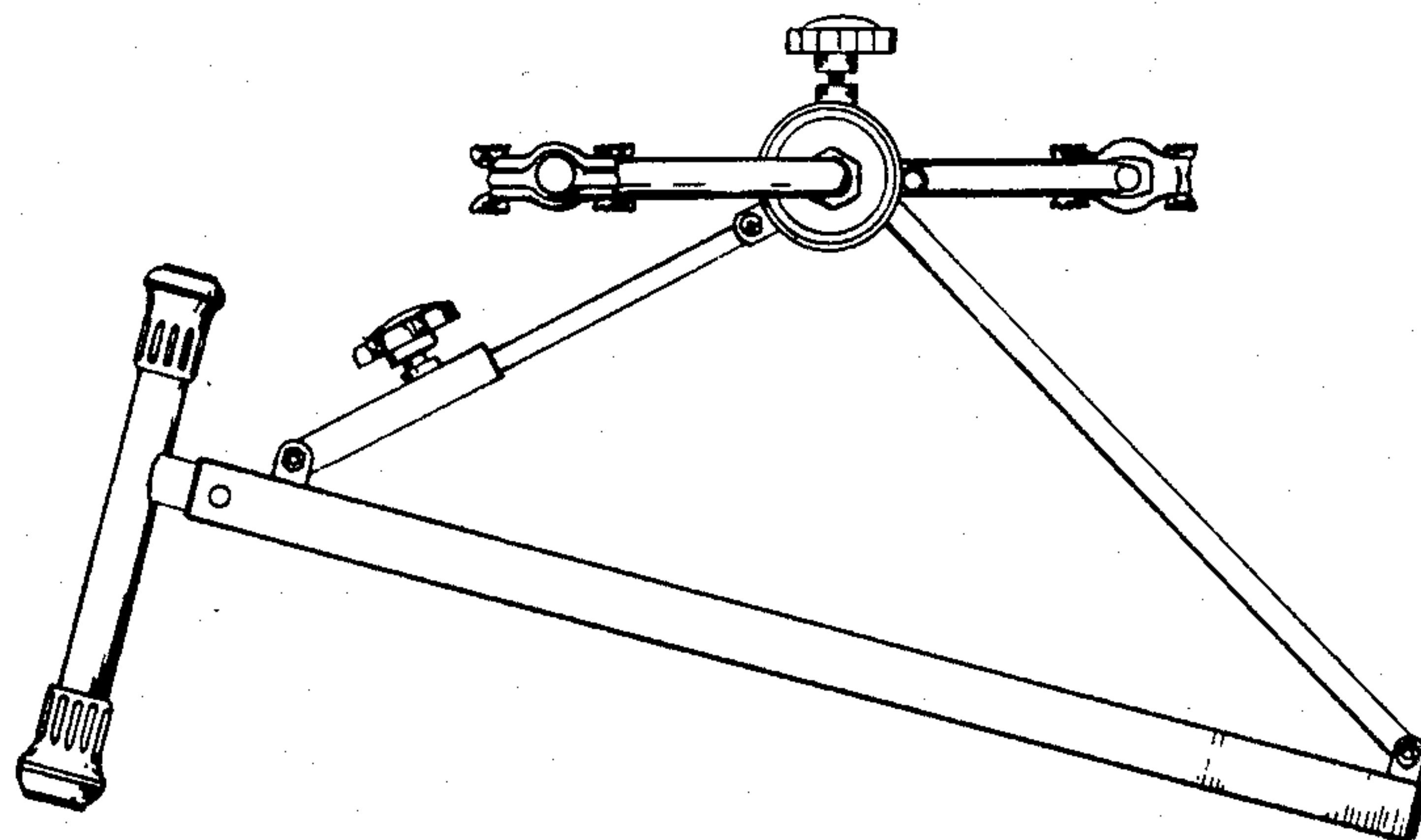


Fig. 6

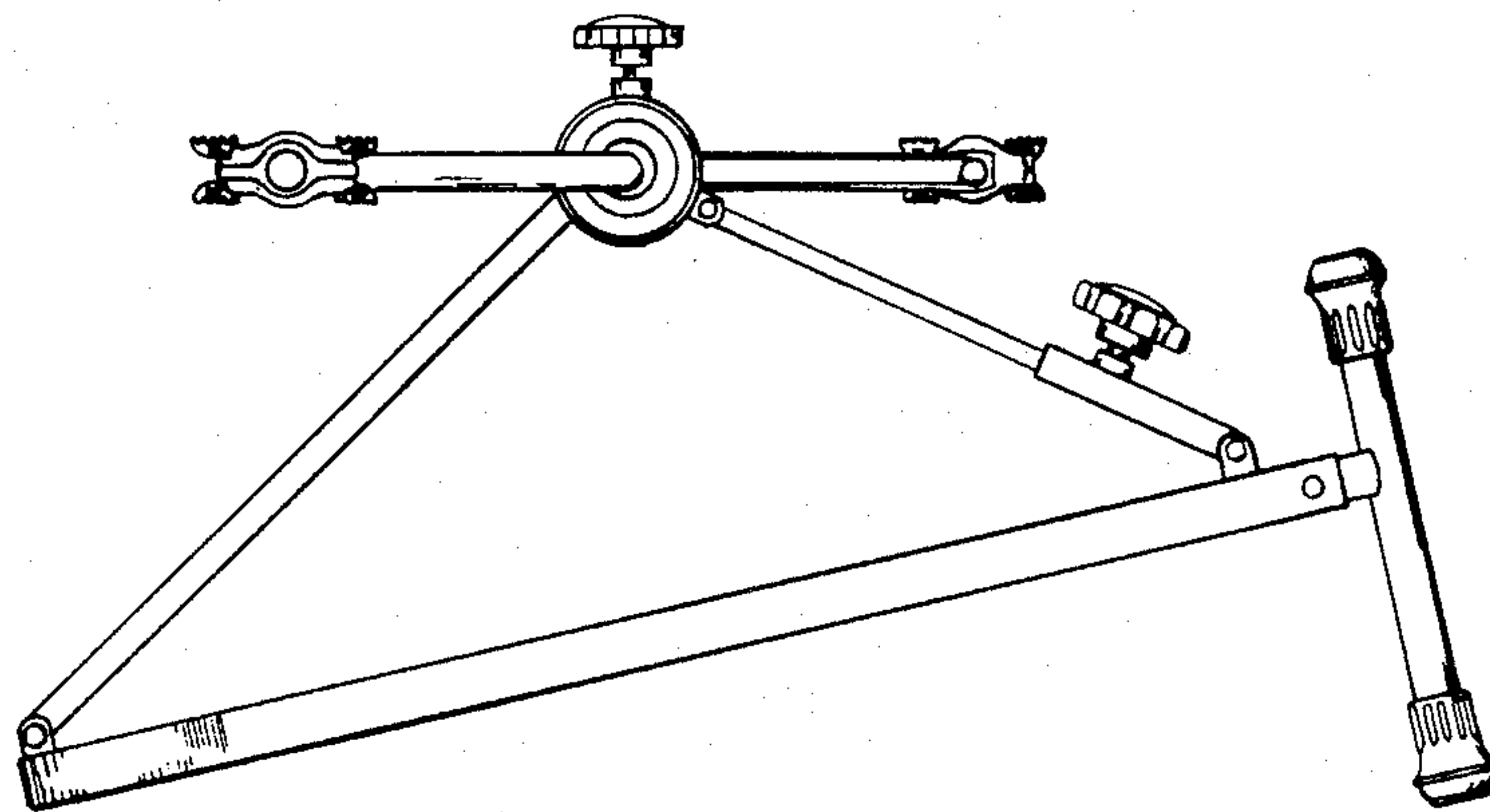


Fig. 7