

[54] **LIGHTED KEYPAD**

[75] **Inventors:** Daniel R. Sparks, Temple City;
Byung N. Ree, Monterey Park;
Andrew Voge, Arcadia, all of Calif.

[73] **Assignee:** Becton, Dickinson and Company,
Paramus, N.J.

[**] **Term:** 14 Years

[21] **Appl. No.:** 471,045

[22] **Filed:** Mar. 1, 1983

[52] **U.S. Cl.** D18/12

[58] **Field of Search** D18/2, 7, 8, 11, 12;
D14/100, 107, 114, 115; 200/50, 314, 313;
364/706-710; 400/490

[56] **References Cited**

U.S. PATENT DOCUMENTS

- D. 212,865 12/1968 Bowman et al. D18/12
- 4,159,183 6/1979 Johannsen 400/490 X
- 4,354,079 10/1982 Yoshimura 200/314

FOREIGN PATENT DOCUMENTS

- 2433156 2/1975 Fed. Rep. of Germany 200/314

OTHER PUBLICATIONS

IBM Technical Disclosure Bulletin, vol. 13, No. 7, 12/70,
p. 2041-Key Button 30.

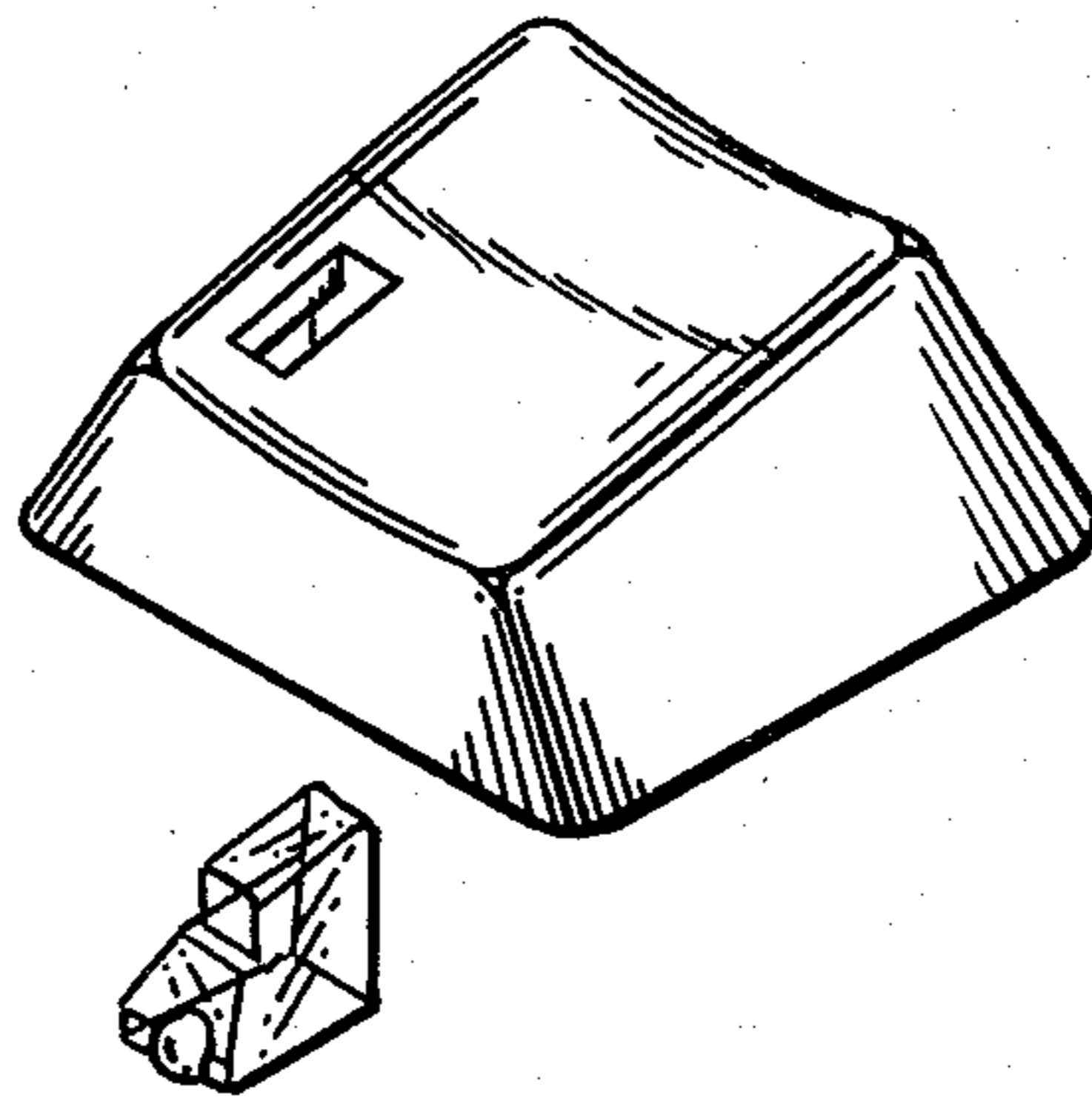
Primary Examiner—Louis S. Zarfes
Attorney, Agent, or Firm—Robert P. Grindle

[57] **CLAIM**

The ornamental design for a lighted keypad or similar
article, substantially as shown and described.

DESCRIPTION

FIG. 1 is a perspective view of a lighted keypad showing our new design;
 FIG. 2 is an exploded perspective view thereof;
 FIG. 3 is a front elevational view thereof;
 FIG. 4 is a side elevational view thereof;
 FIG. 5 is a rear elevational view thereof;
 FIG. 6 is a top plan view of the keypad with light removed for ease of illustration;
 FIG. 7 is a bottom plan view of the keypad of FIG. 6;
 FIG. 8 is a vertical sectional view taken along lines 8—8 of FIG. 7;
 FIG. 9 is a vertical sectional view taken along lines 9—9 of FIG. 7.



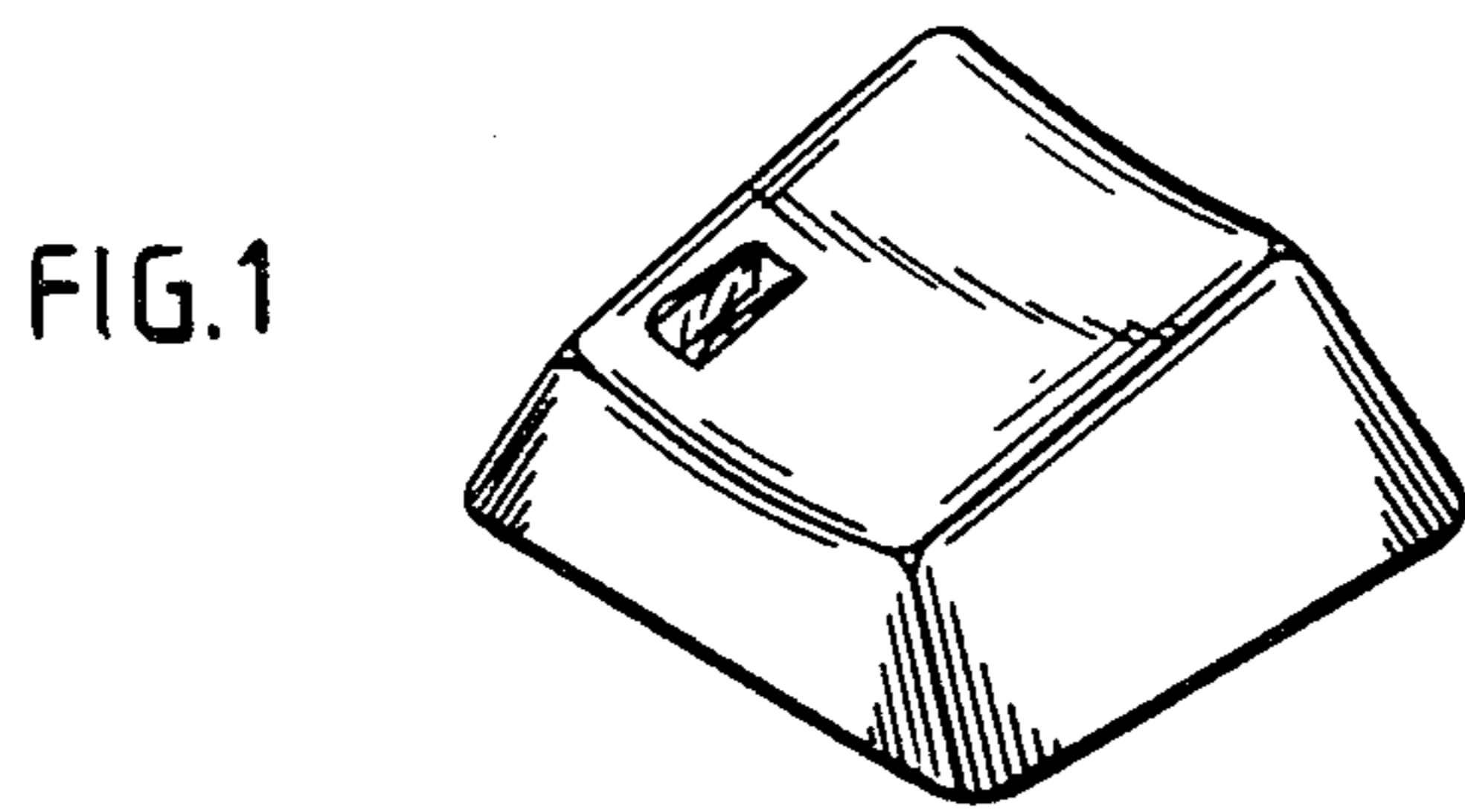
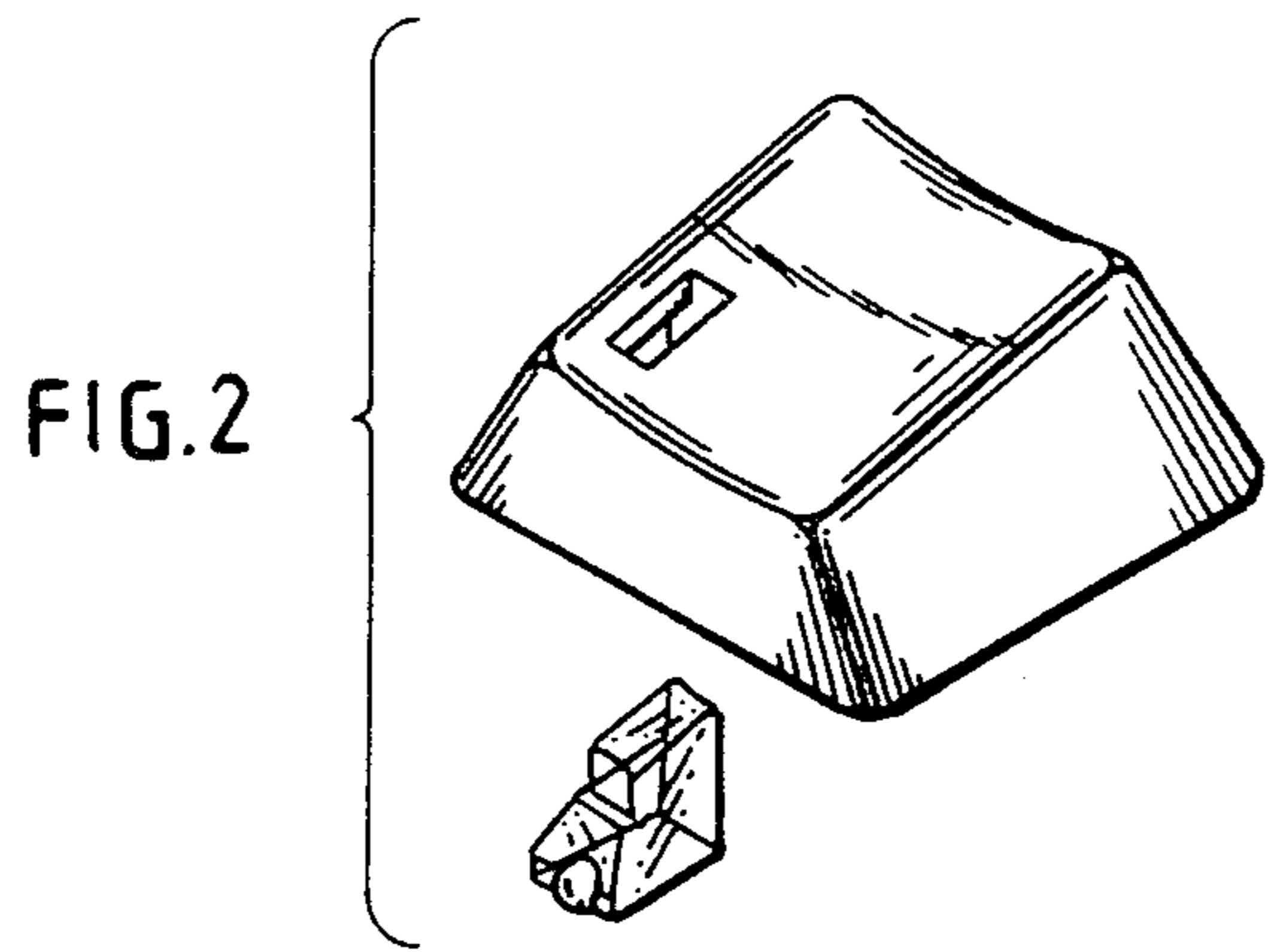


FIG.3

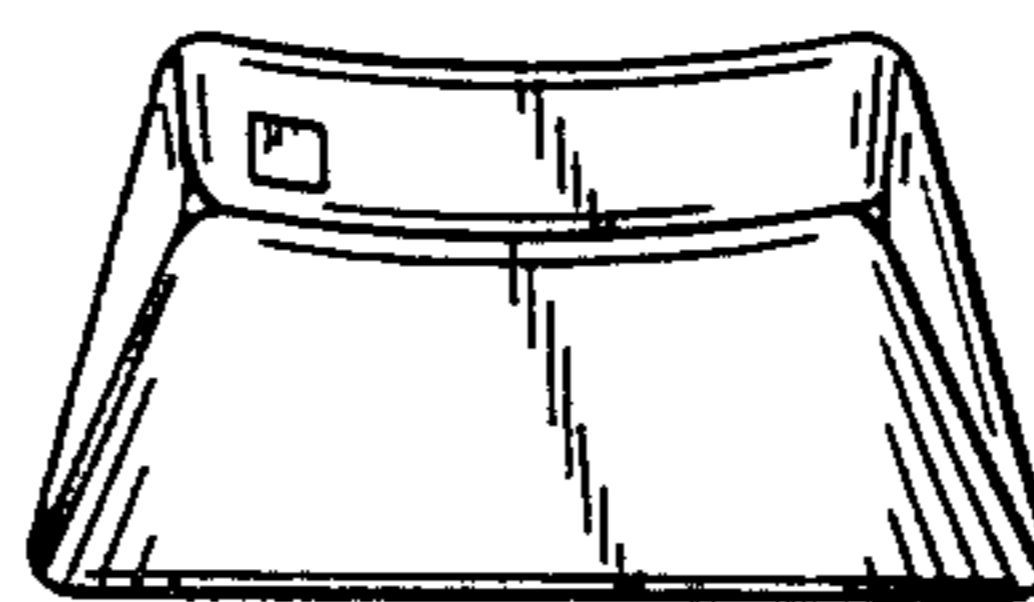
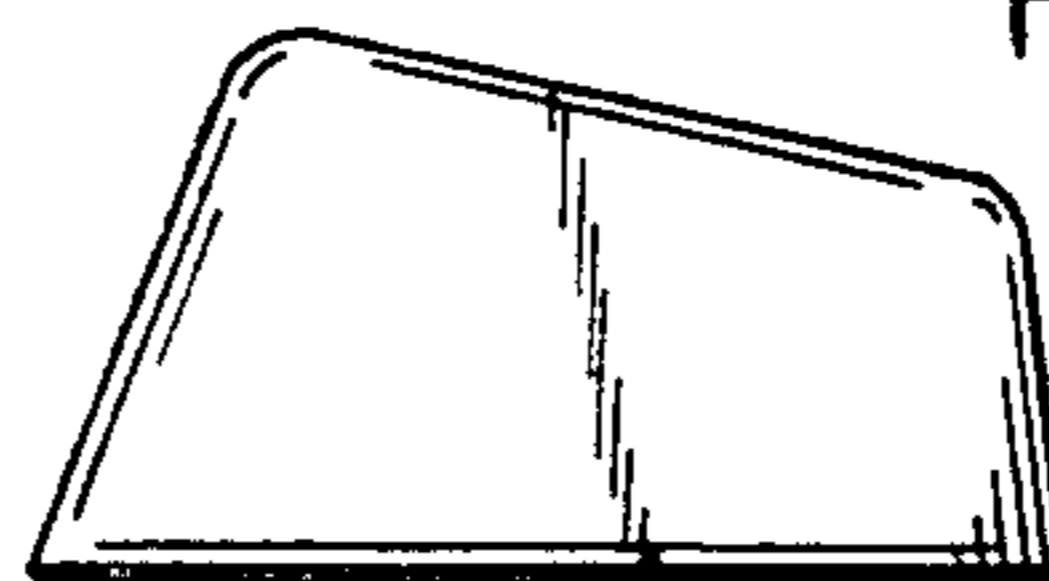


FIG.5



FIG.4



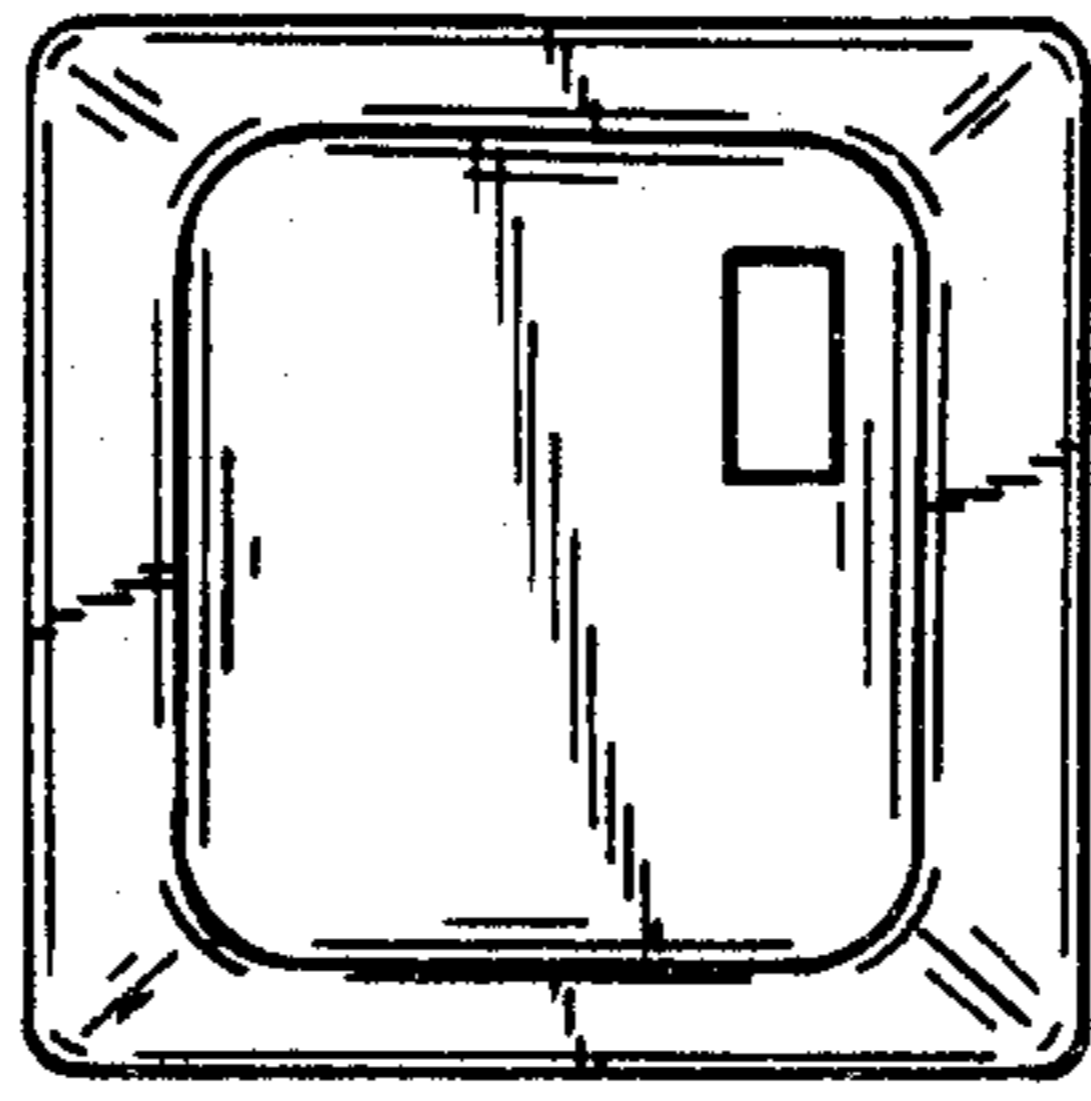


FIG. 6

FIG. 7

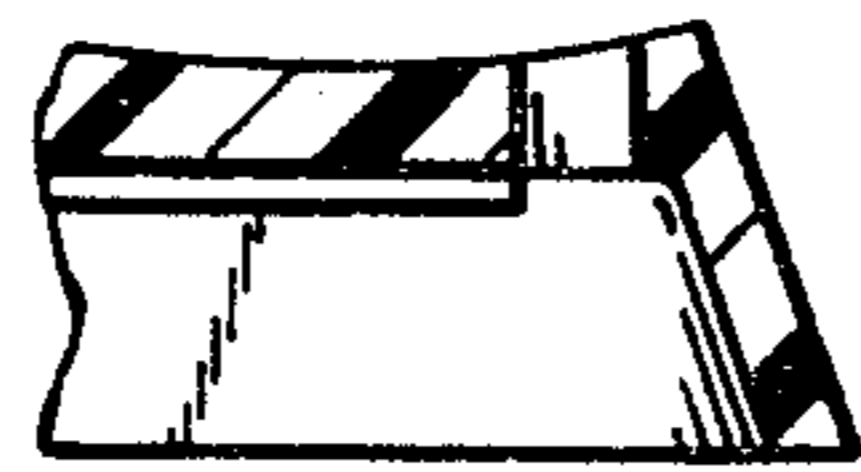
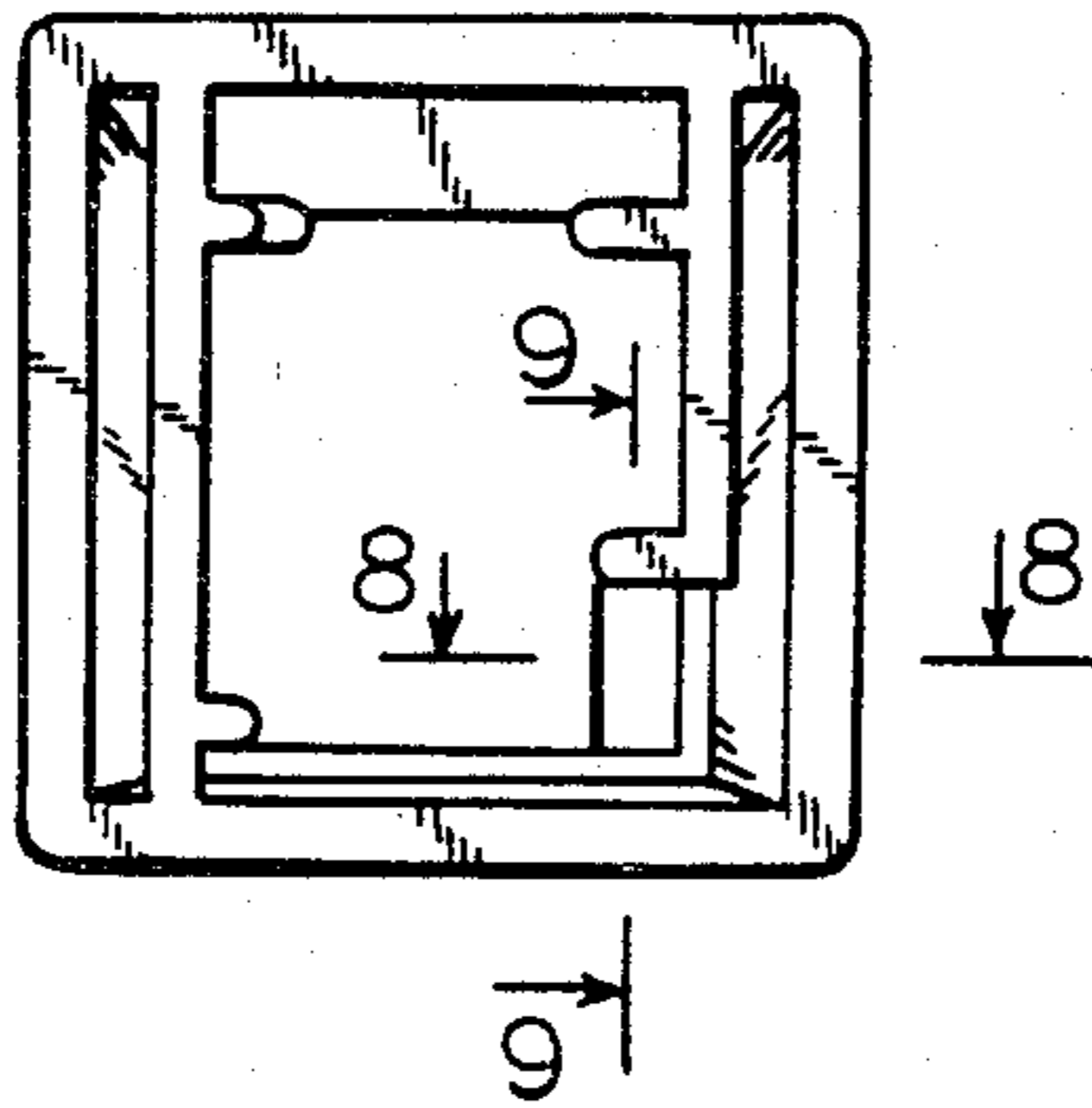


FIG. 8

FIG. 9

