

[54] **BOAT MUSIC BOX**

[75] **Inventor: Pietro Catelli, Como, Italy**

[73] **Assignee: Artsana S.p.A., Italy**

[\*\*] **Term: 14 Years**

[21] **Appl. No.: 518,155**

[22] **Filed: Jul. 28, 1983**

[52] **U.S. Cl. .... D17/24; D21/64**

[58] **Field of Search ..... D17/24; D21/59, 64,  
D21/130**

[56] **References Cited**

**U.S. PATENT DOCUMENTS**

D. 103,251 2/1937 Pullen ..... D17/24  
D. 181,968 1/1958 Fortney ..... D21/59 X

D. 206,596 1/1967 Ryan ..... D21/64 X  
D. 213,122 1/1969 Lakin ..... D21/130  
D. 268,199 3/1983 Shimasaki ..... D21/64

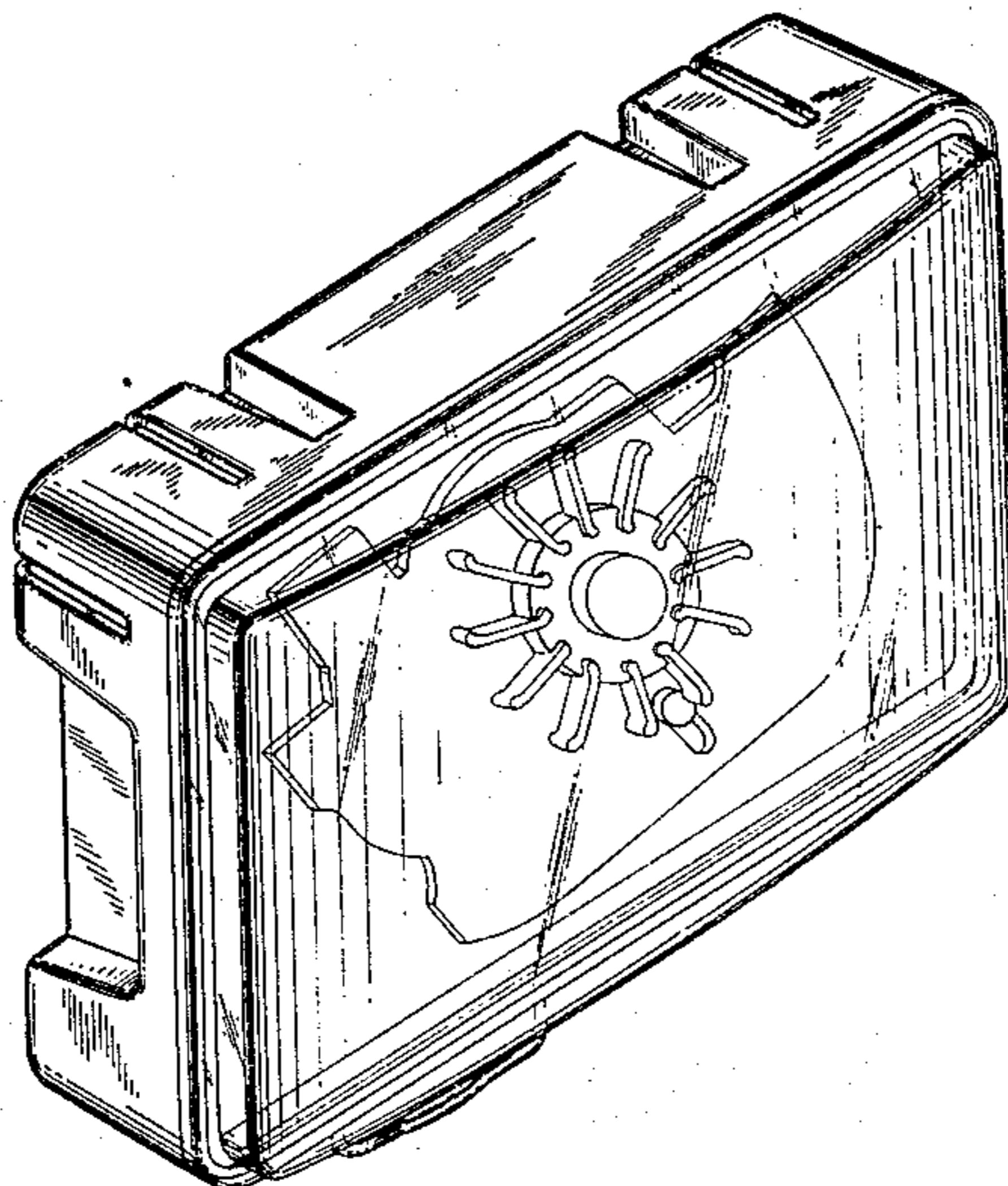
*Primary Examiner—Jane E. Corrigan*  
*Attorney, Agent, or Firm—Steinberg & Raskin*

[57] **CLAIM**

The ornamental design for a boat music box, as shown and described.

**DESCRIPTION**

FIG. 1 is a front, top and left side perspective view of a boat music box showing my new design;  
FIG. 2 is a top plan view thereof;  
FIG. 3 is a front elevational view thereof;  
FIG. 4 is a right side elevational view;  
FIG. 5 is a rear elevational view thereof; and  
FIG. 6 is a bottom plan view thereof.



*FIG. 1*

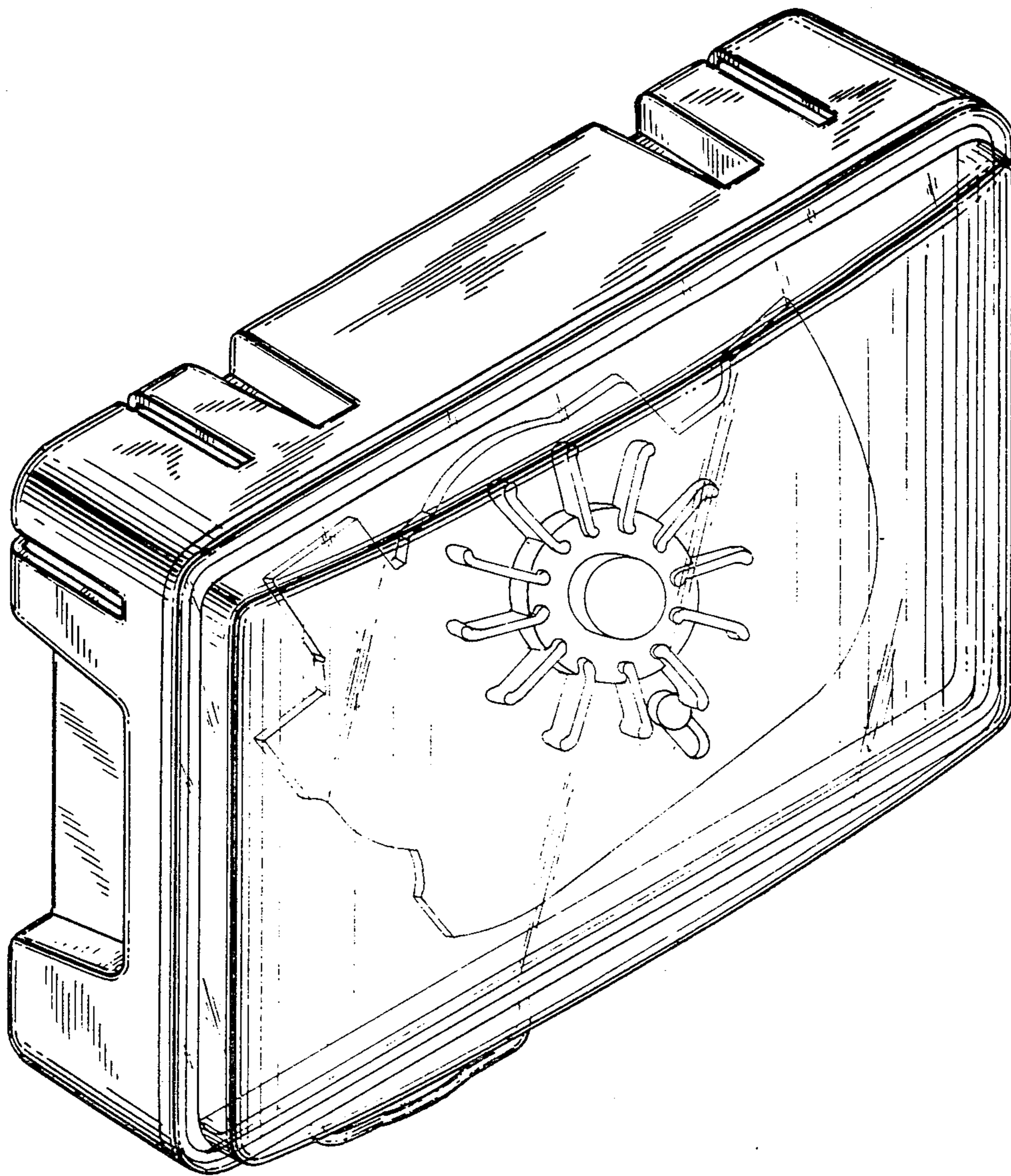


FIG. 2

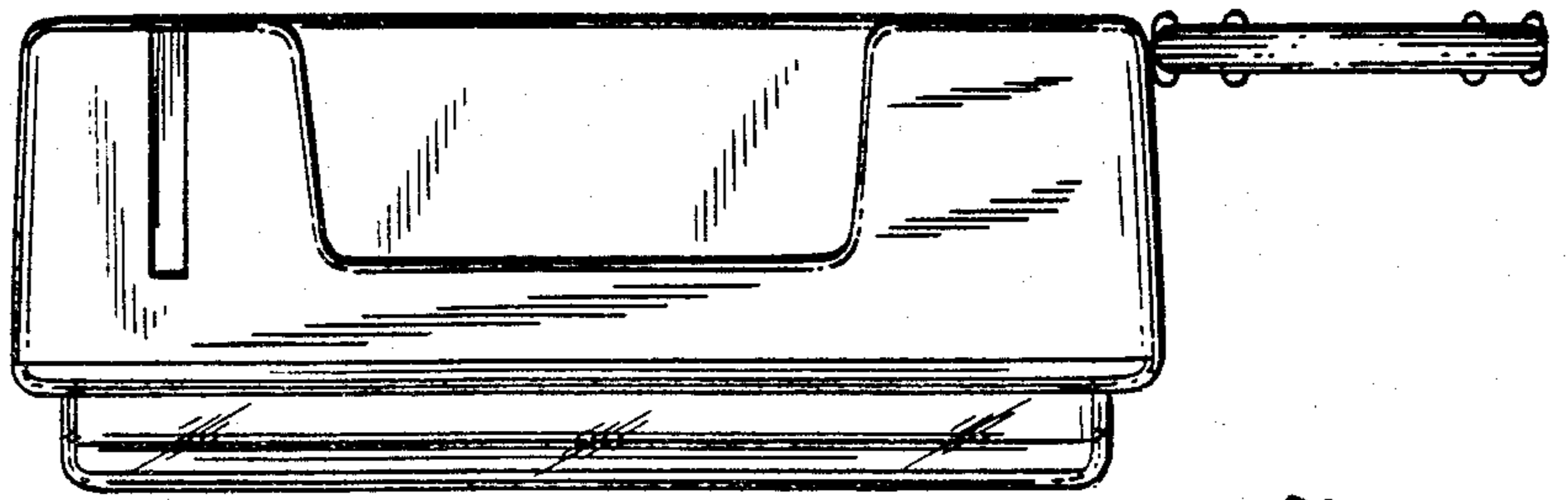
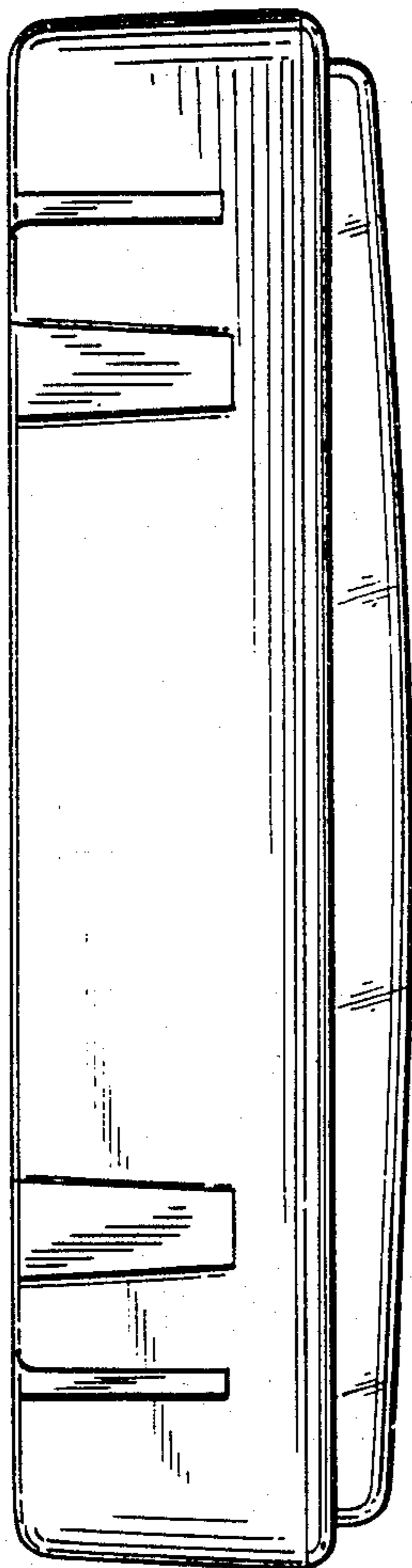


FIG. 4

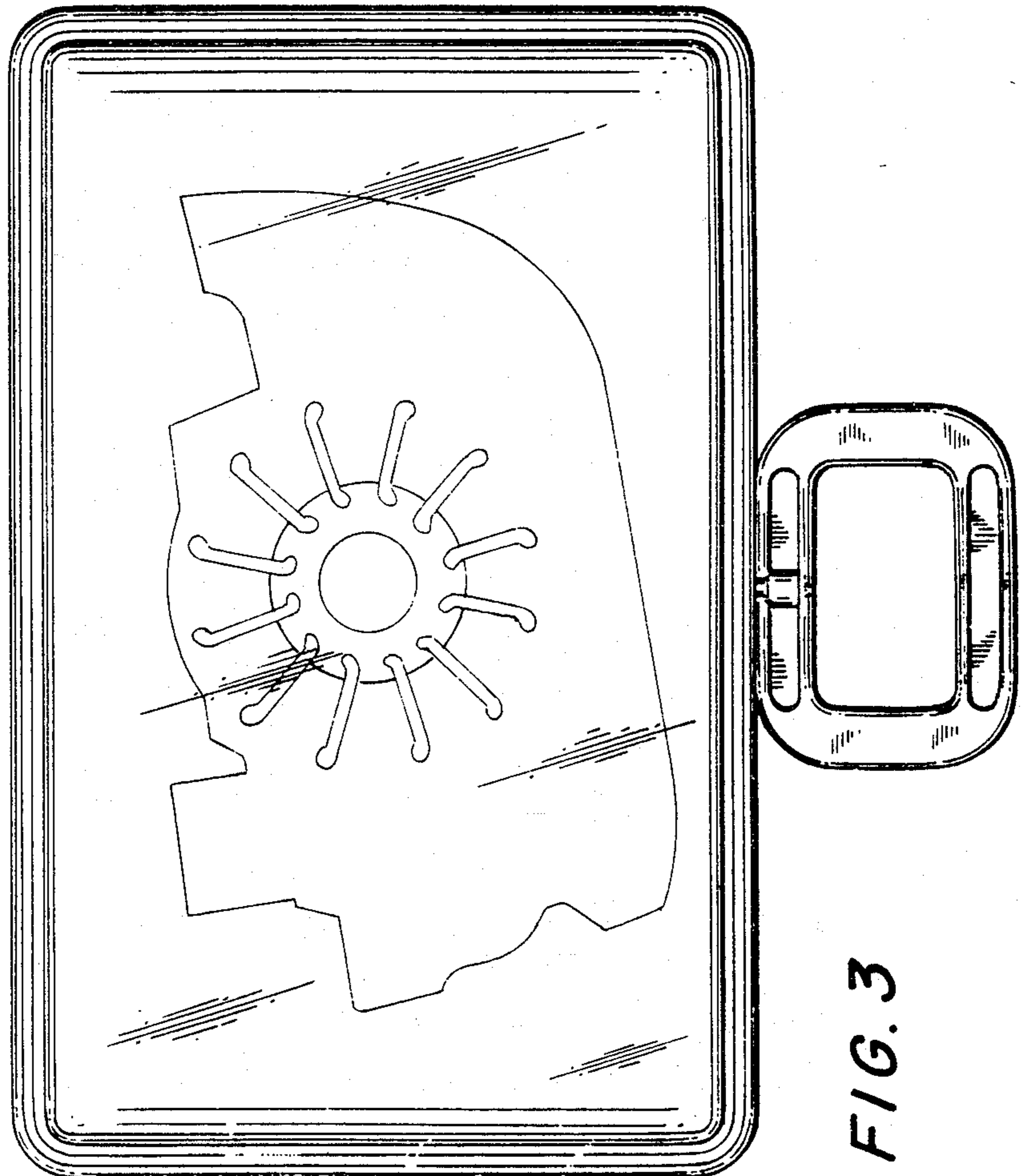
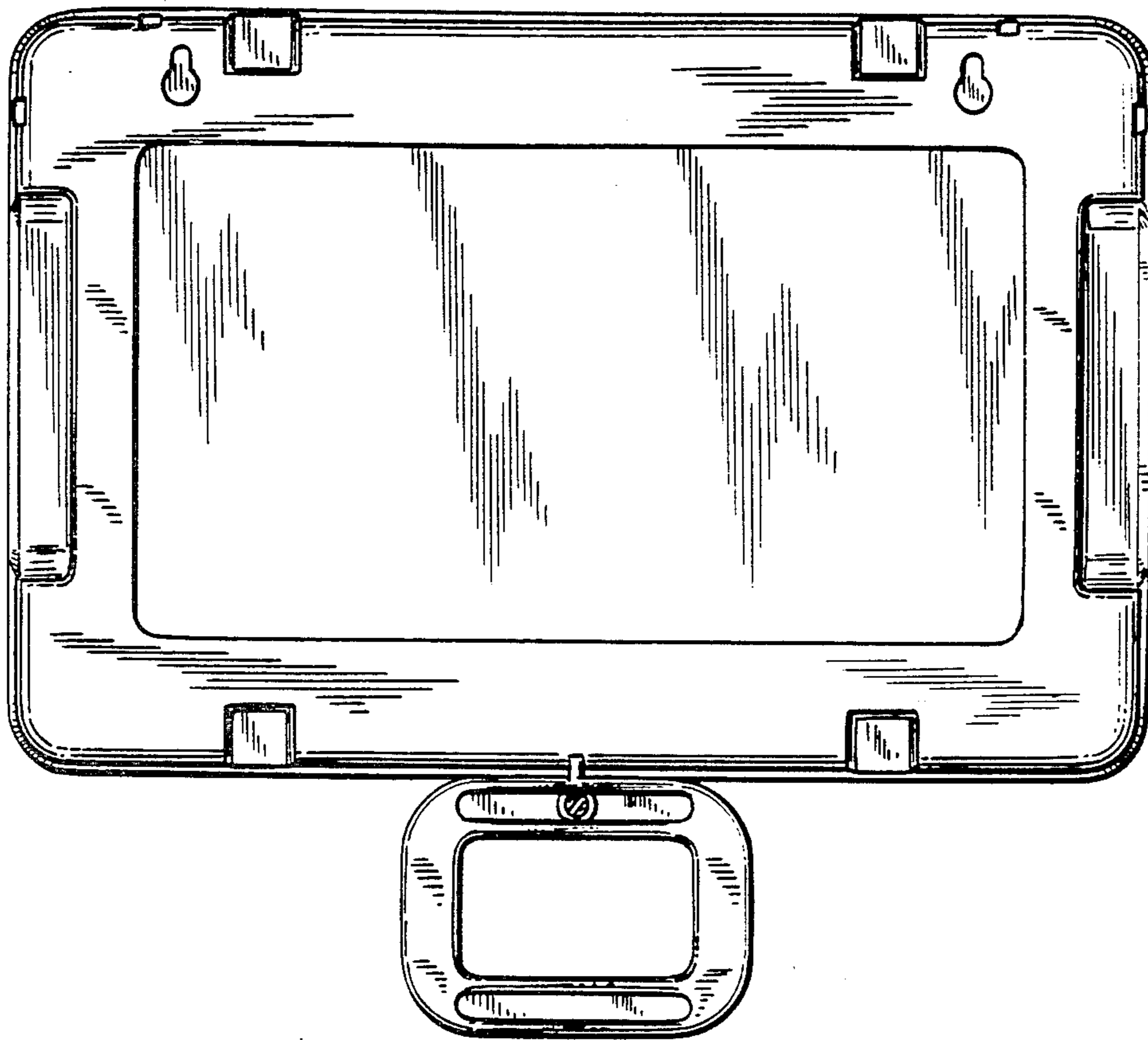


FIG. 3

*FIG. 5*



*FIG. 6*

