

[54] COMPRESSOR

[75] Inventors: David E. Bearint; Dwight L. Tothoro, both of Macon County; Richard W. Roberts, DuPage County, all of Ill.

[73] Assignee: Borg-Warner Corporation, Chicago, Ill.

[**] Term: 14 Years

[21] Appl. No.: 528,280

[22] Filed: Aug. 31, 1983

[52] U.S. Cl. D15/9

[58] Field of Search D15/7, 9; 417/222, 231, 417/259, 265, 266, 268, 415, 234

[56] References Cited

U.S. PATENT DOCUMENTS

- D. 245,779 9/1977 Nobata D15/9
- D. 250,113 10/1978 Nobata D15/9
- D. 258,063 1/1981 Whitehill et al. D15/9

D. 273,957 5/1984 Boswell D15/9

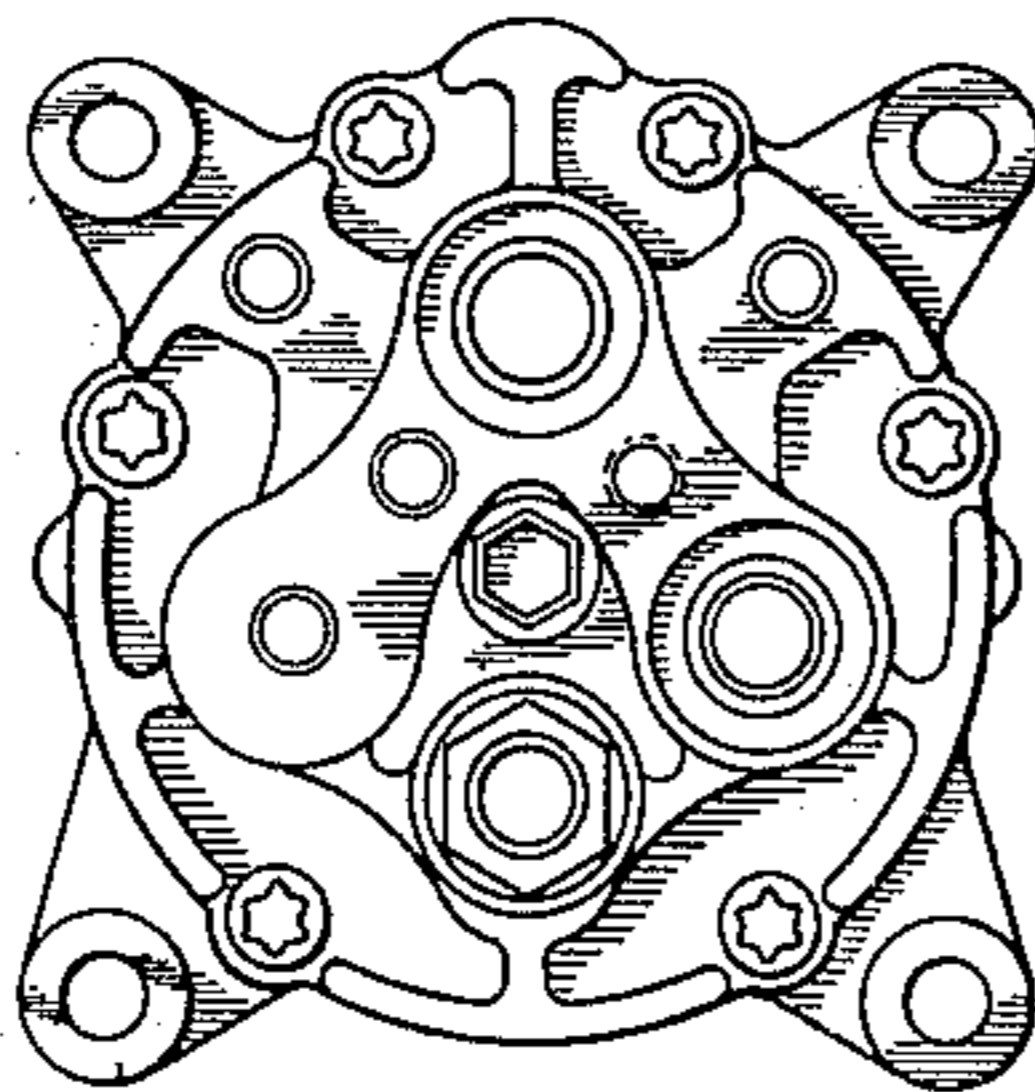
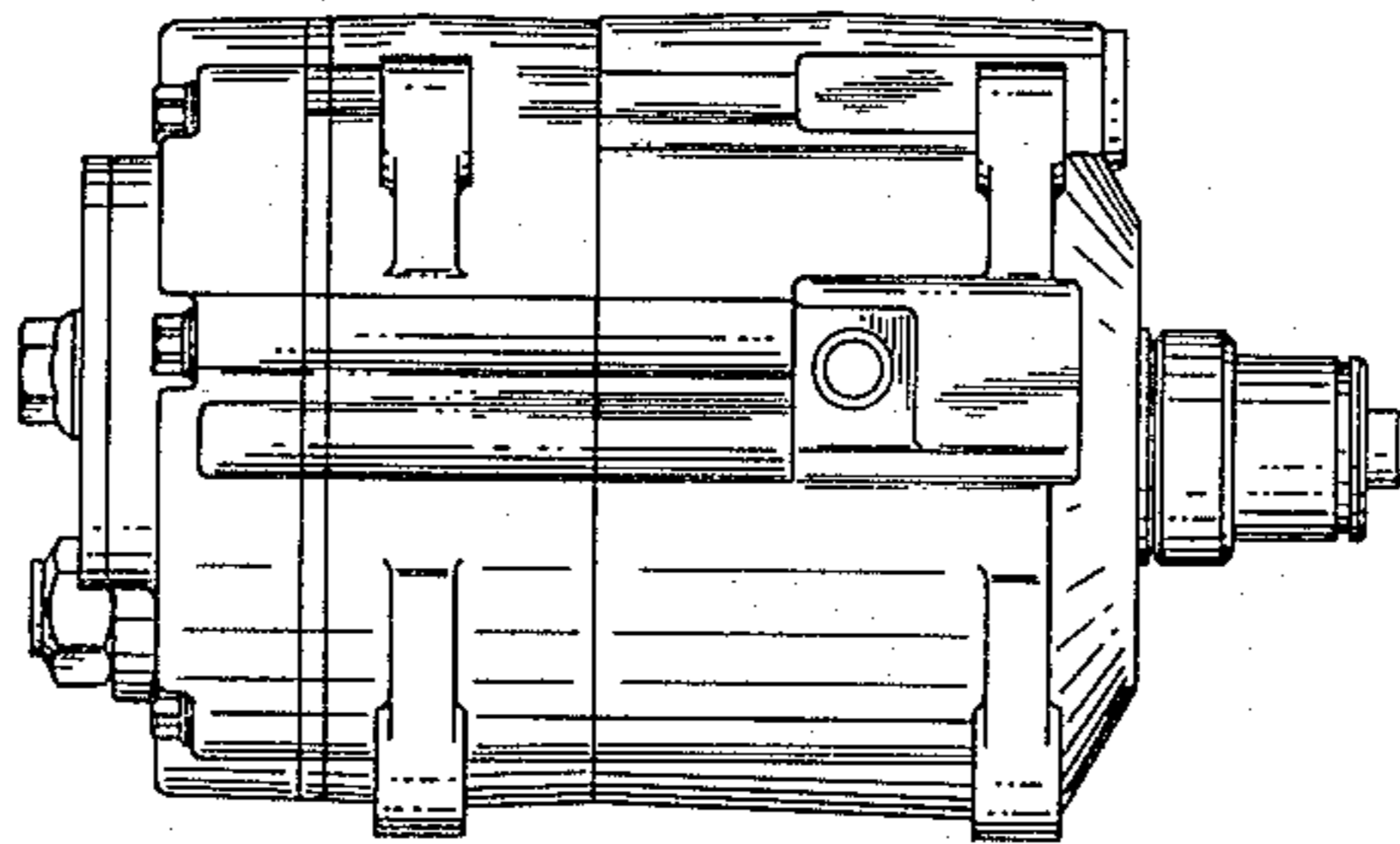
Primary Examiner—Wallace R. Burke
Assistant Examiner—Lynn Wilder
Attorney, Agent, or Firm—Thomas B. Hunter

[57] CLAIM

The ornamental design for a compressor, substantially as shown and described.

DESCRIPTION

FIG. 1 is an elevational view of a compressor illustrating our new design;
FIG. 2 is a left side elevational view of the device shown in FIG. 1;
FIG. 3 is a right side elevational view of the device shown in FIG. 1;
FIG. 4 is an elevational view of a slightly modified compressor;
FIG. 5 is a left side elevational view of the device shown in FIG. 4; and
FIG. 6 is a right side elevational view of the device shown in FIG. 4.



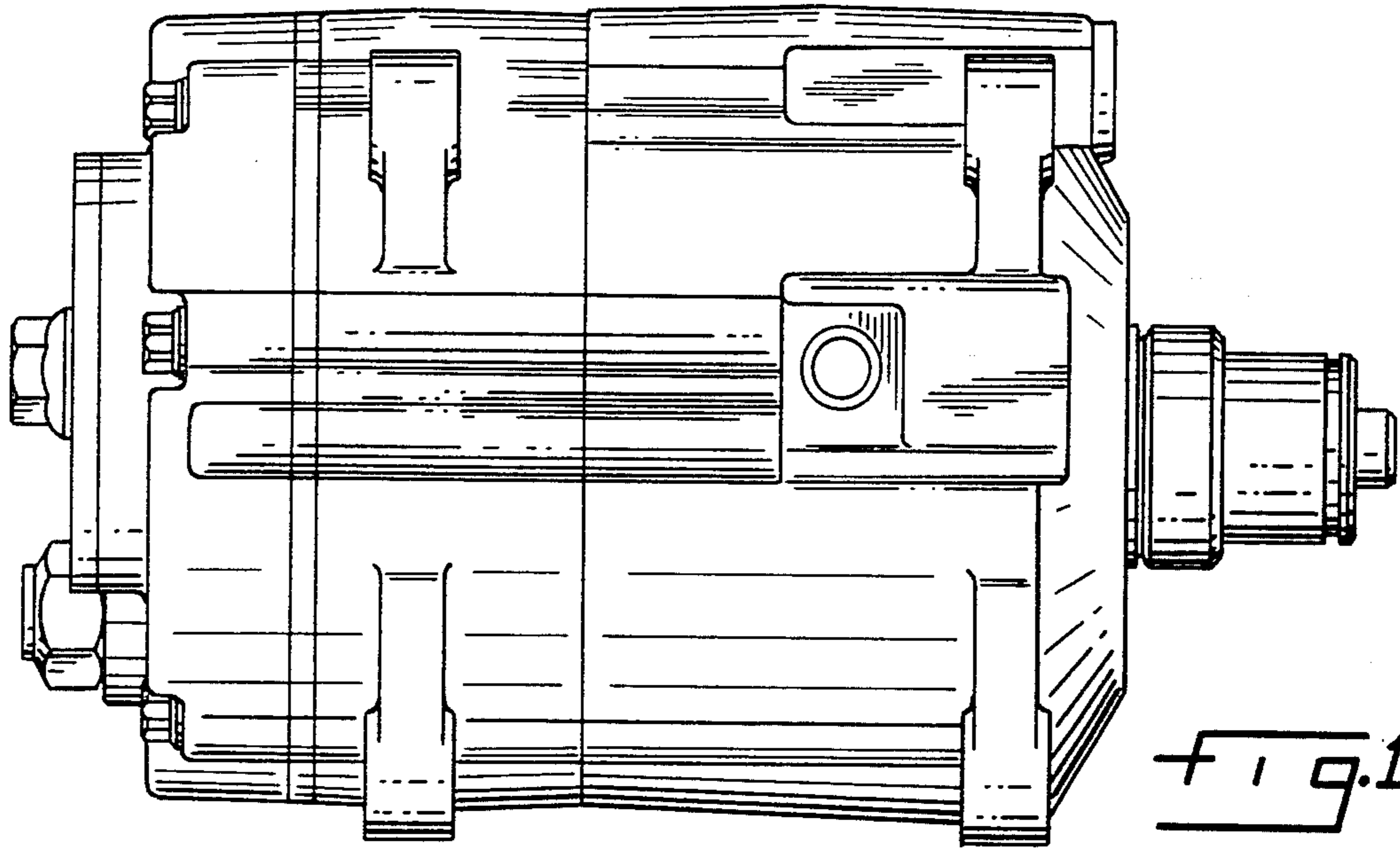


fig. 1.

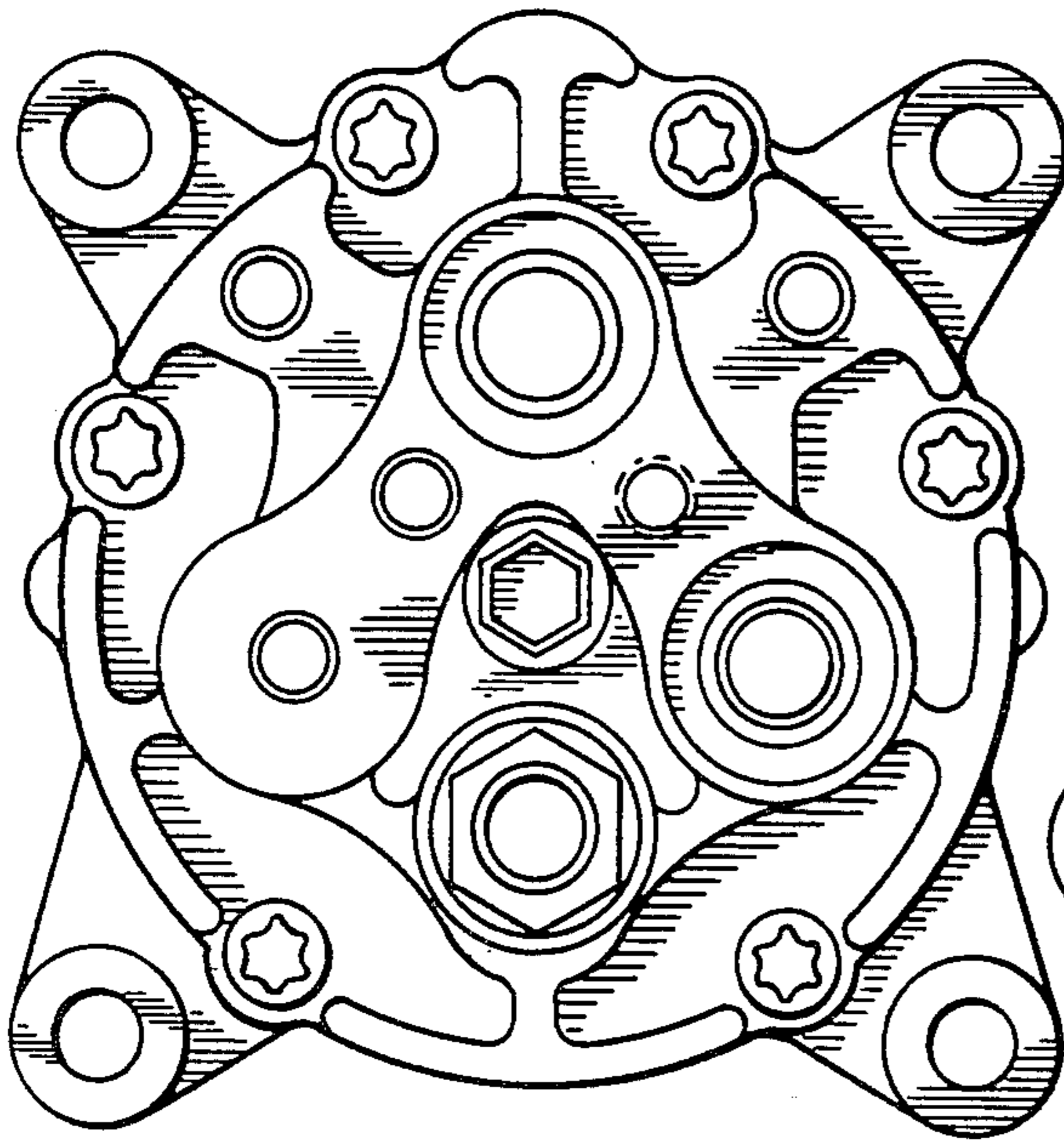


fig. 2.

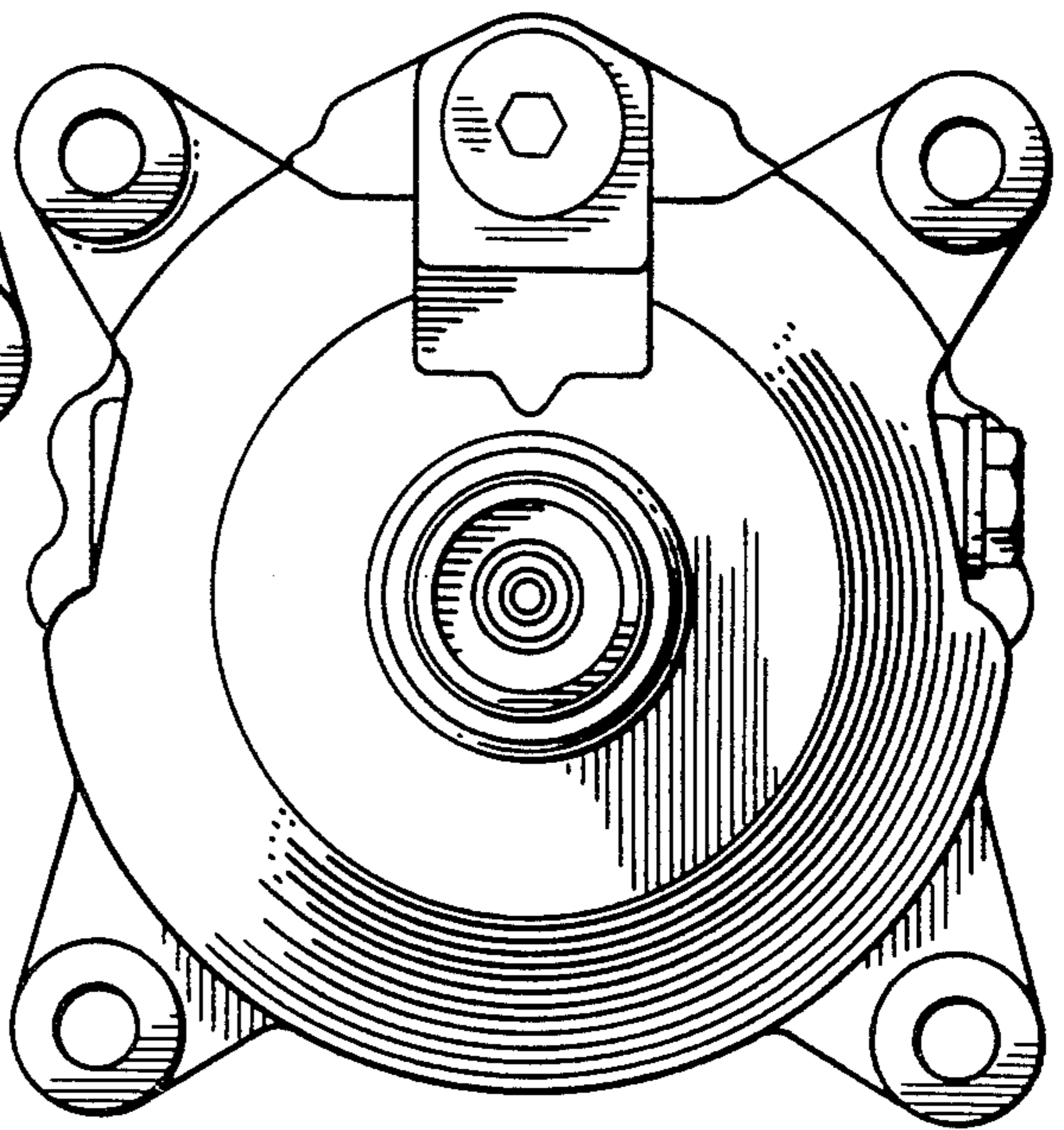


fig. 3.

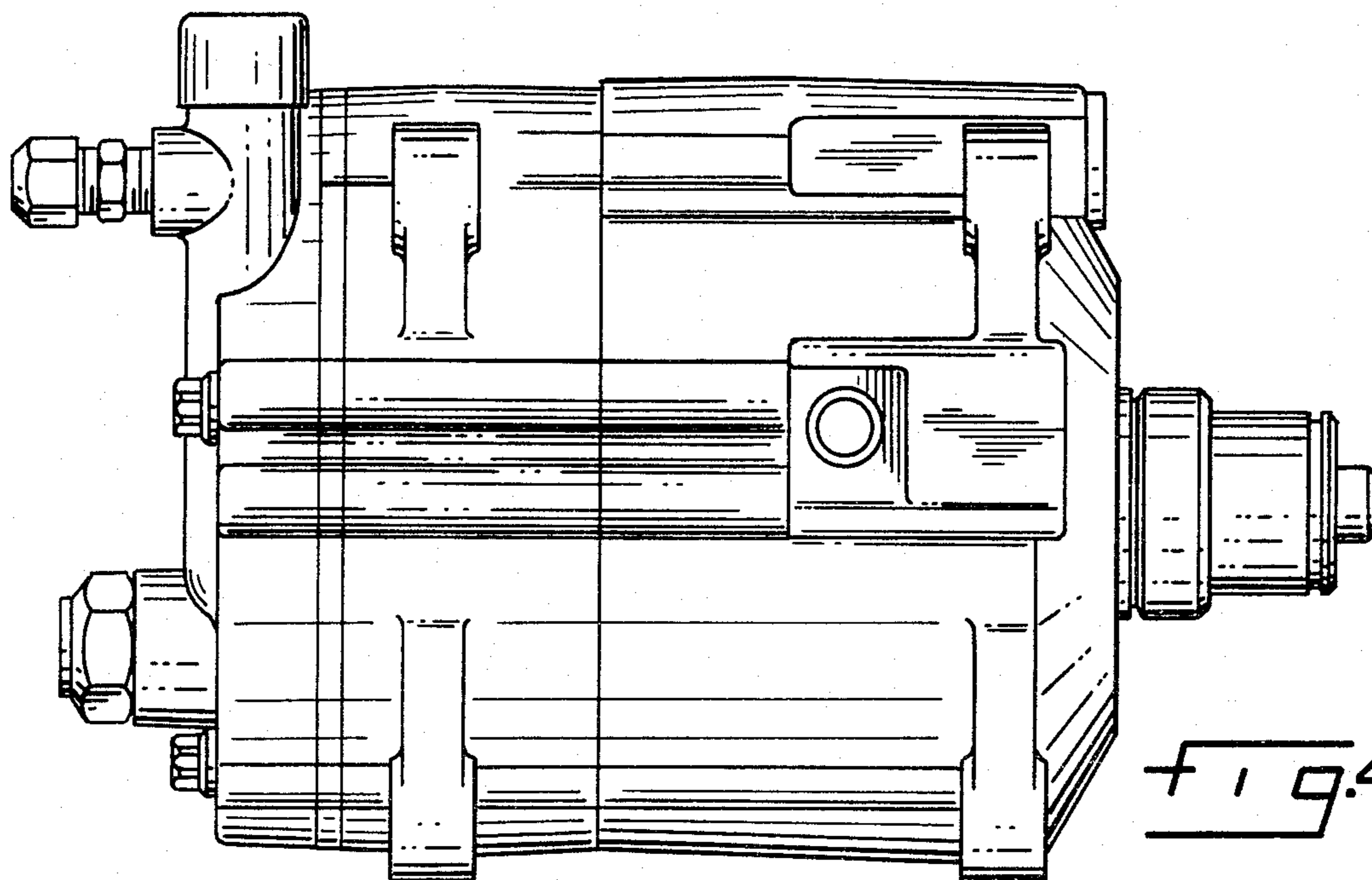


FIG. 4.

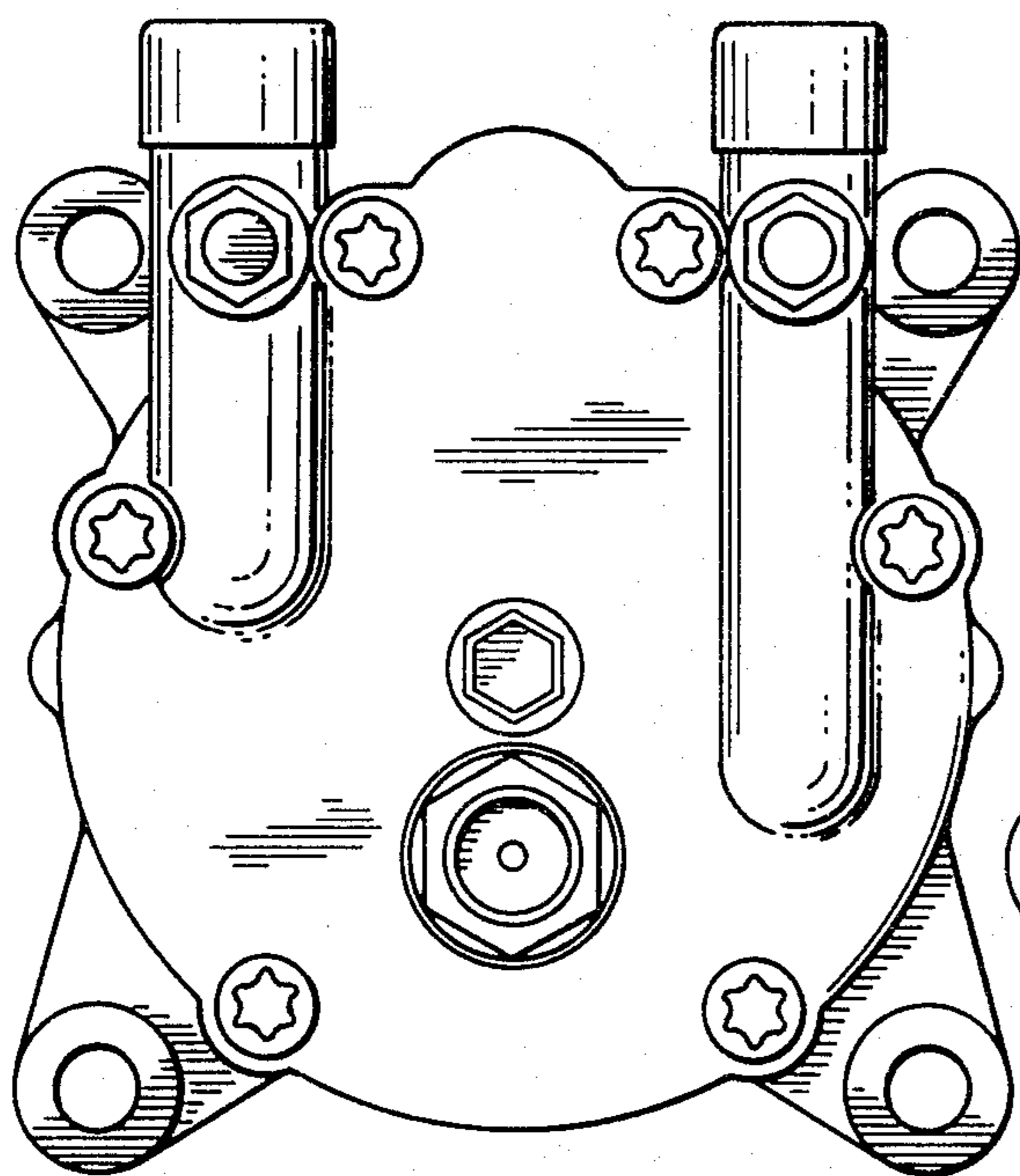


FIG. 5.

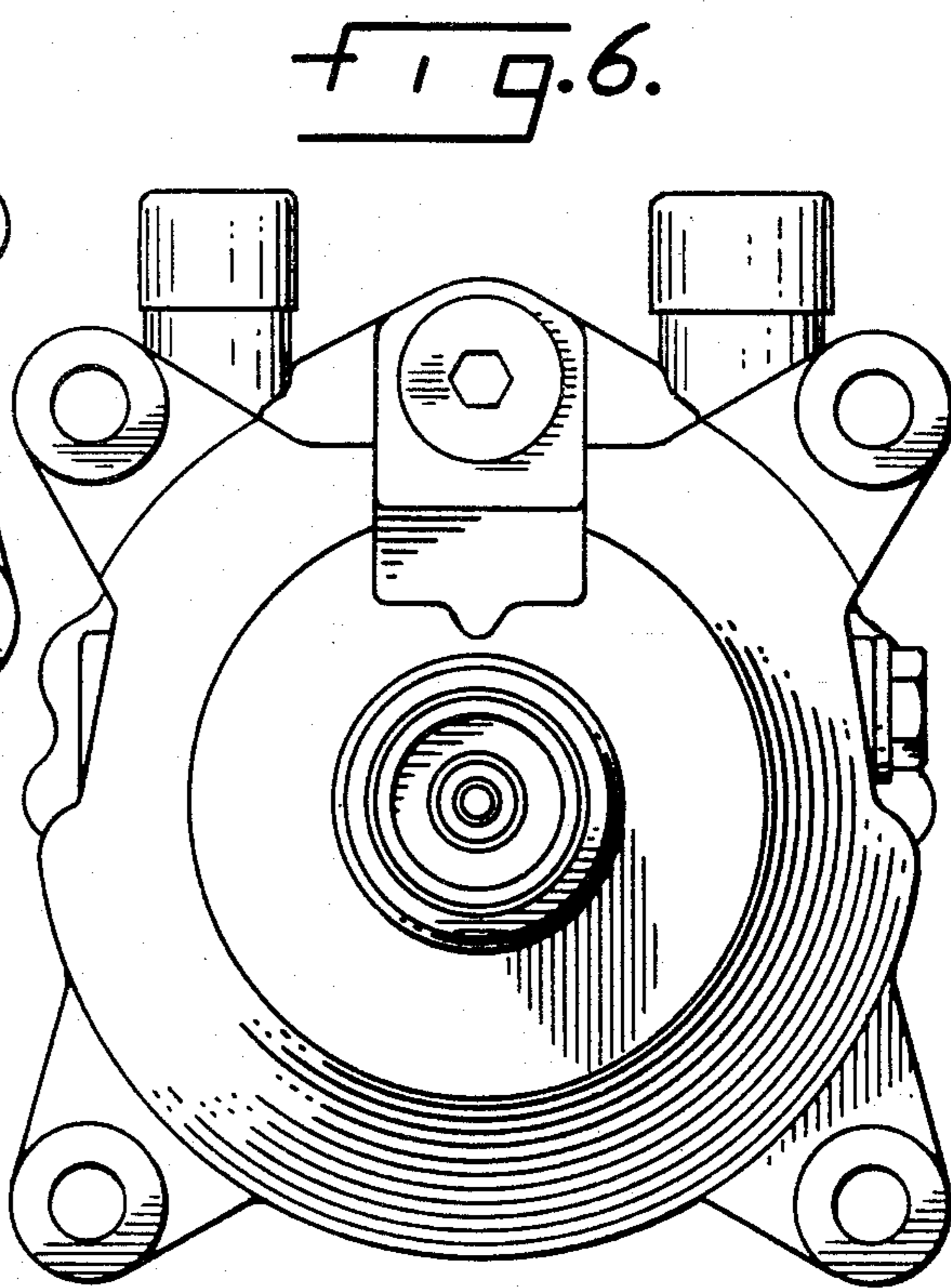


FIG. 6.