

[54] **PRINTER**

[75] **Inventor: Douglas C. Dayton, Cambridge, Mass.**

[73] **Assignee: Wang Laboratories, Inc., Lowell, Mass.**

[**] **Term: 14 Years**

[21] **Appl. No.: 537,601**

[22] **Filed: Sep. 30, 1983**

[52] **U.S. Cl. D14/111; D18/13**

[58] **Field of Search D14/111; 400/691, 693; D18/13, 23**

[56] **References Cited**

U.S. PATENT DOCUMENTS

D. 252,202 6/1979 Sakamoto D14/111

OTHER PUBLICATIONS

Computer Design, 10-1979, p. 4, Okidata Printer.

Computer Design, 10-1979, p. 183, Facit 4540 Printer.
Jade Computer Products Catalog 1981, p. 16., Novell Data Systems Image 800 Printer.
Radio Shack, 1982 Catalog, p. 170, TRS-80 Graphics Printer/Plotter.

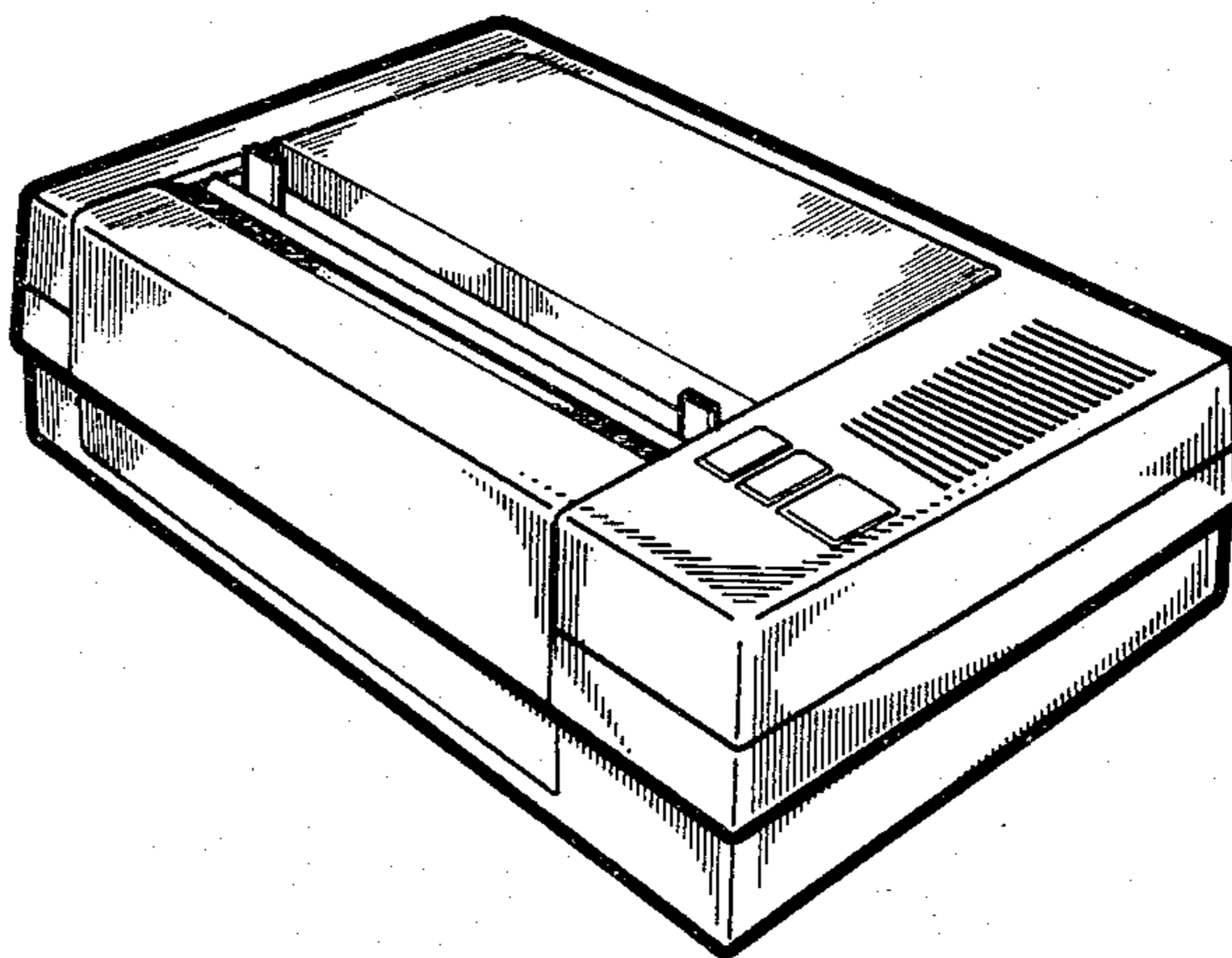
Primary Examiner—Susan J. Lucas
Attorney, Agent, or Firm—Michael H. Shanahan;
Kenneth L. Milik

[57] **CLAIM**

The ornamental design for a printer, as shown.

DESCRIPTION

FIG. 1 is a perspective view of a printer showing my new design;
FIG. 2 is a top view thereof;
FIG. 3 is a front view thereof;
FIG. 4 is a rear view thereof;
FIG. 5 is a left side view thereof;
FIG. 6 is a right side view thereof;
FIG. 7 is a bottom view thereof.



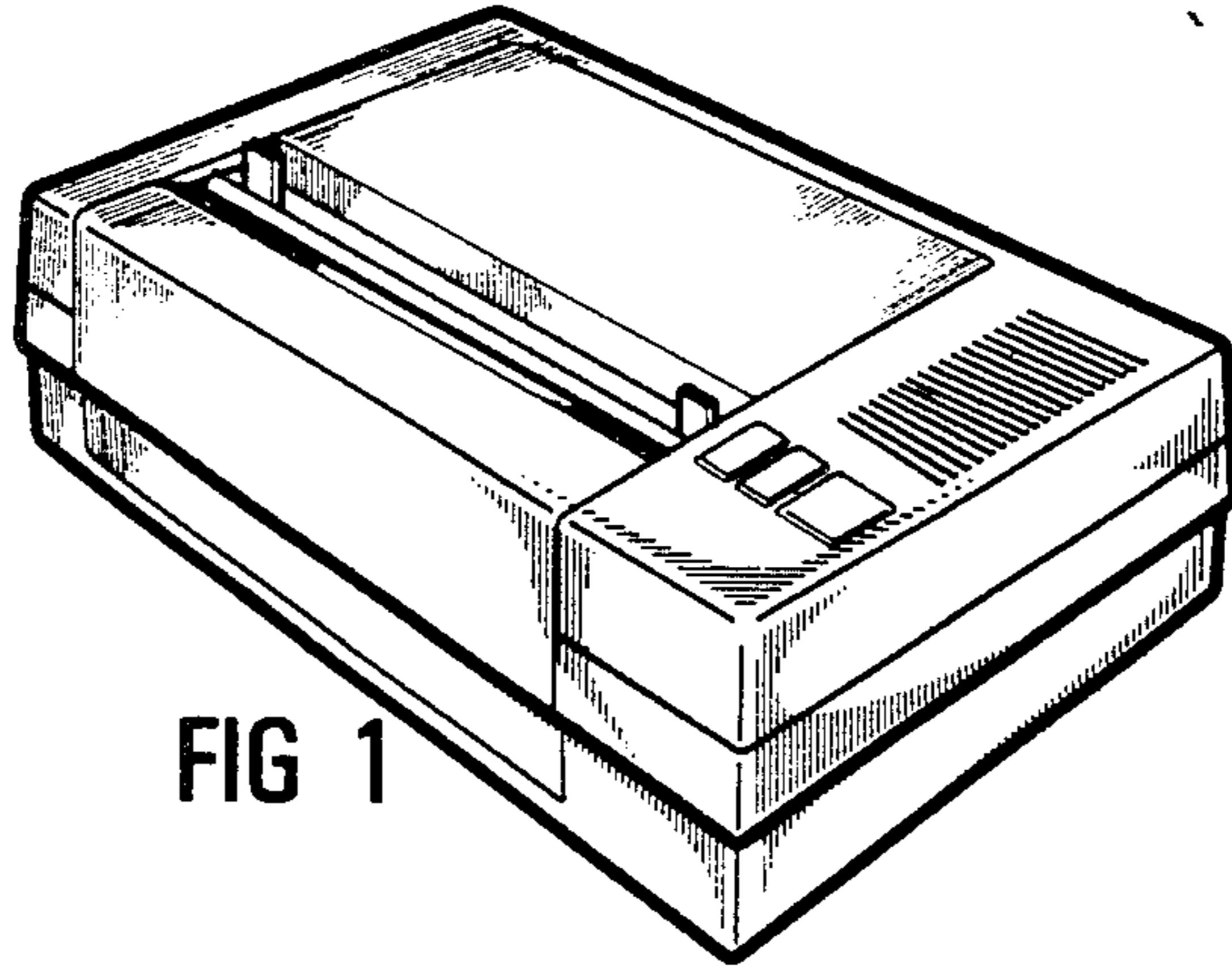


FIG 1

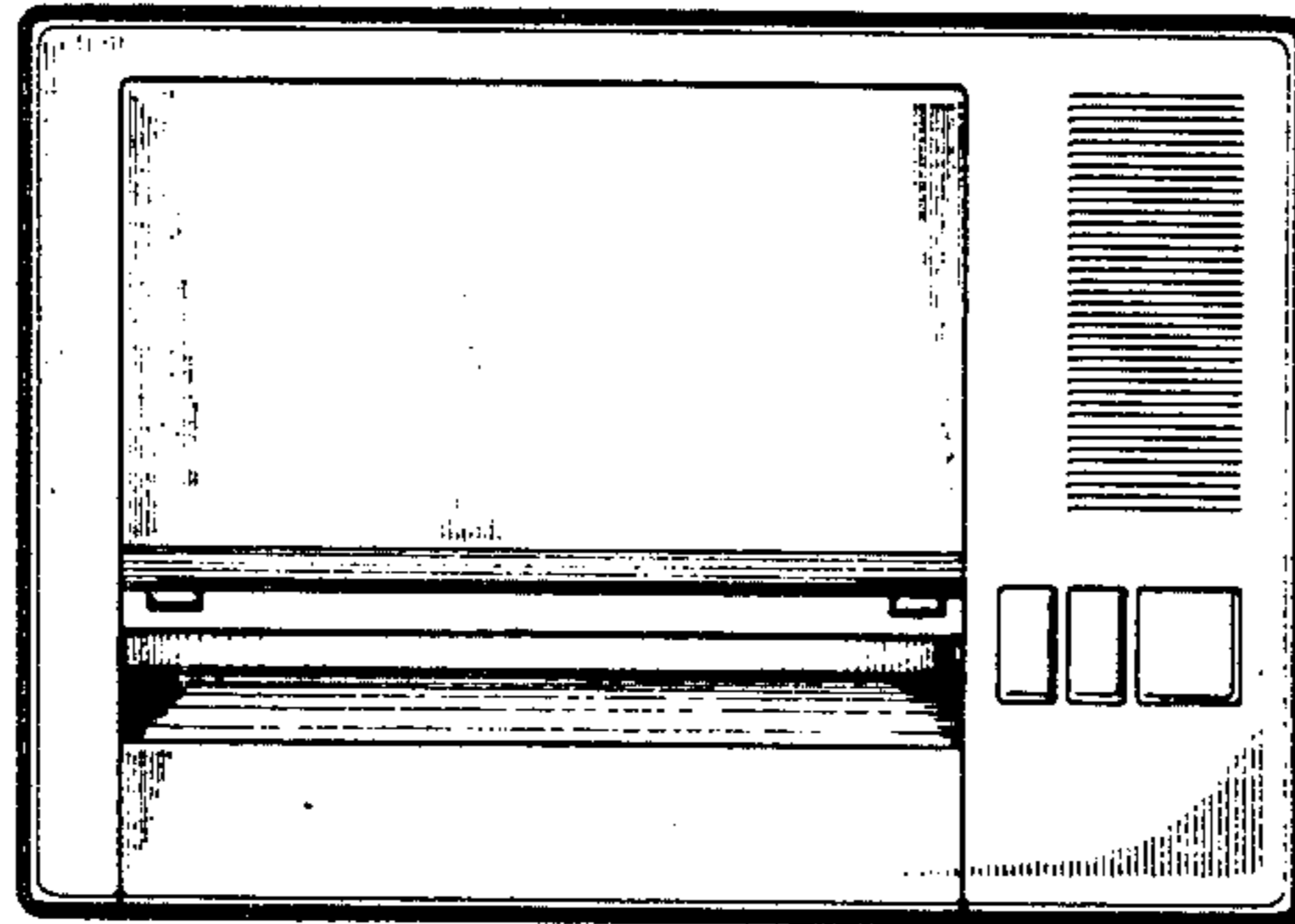


FIG 2

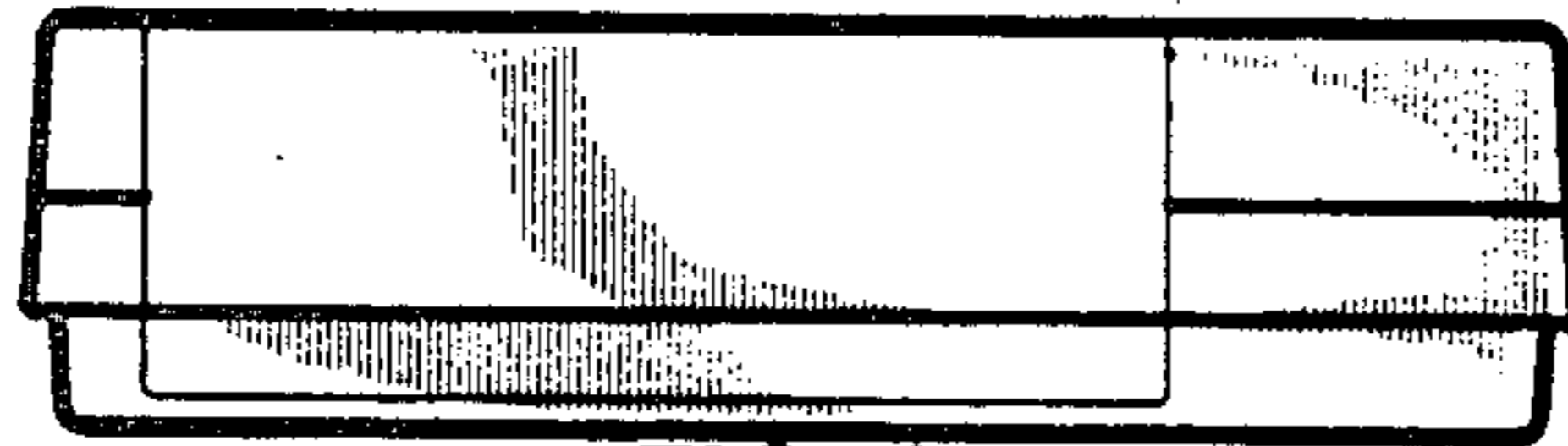


FIG 3

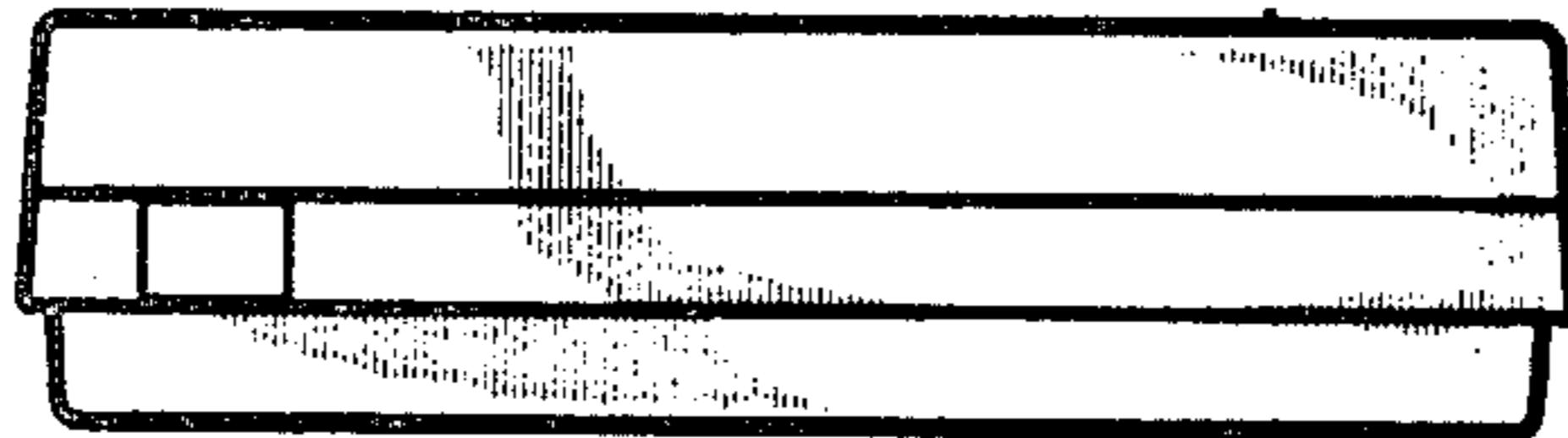


FIG 4

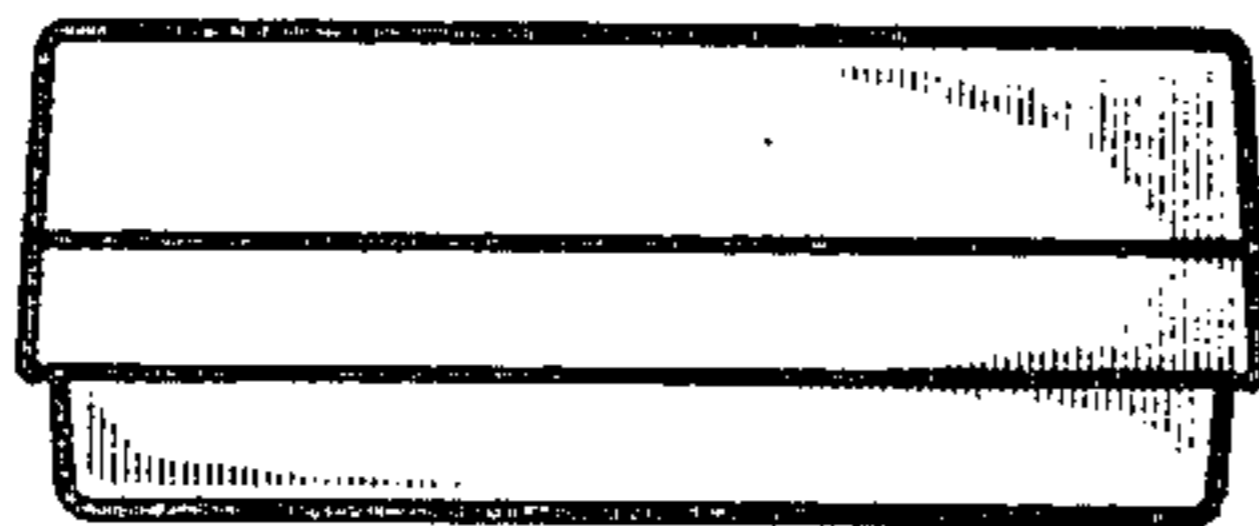


FIG 5

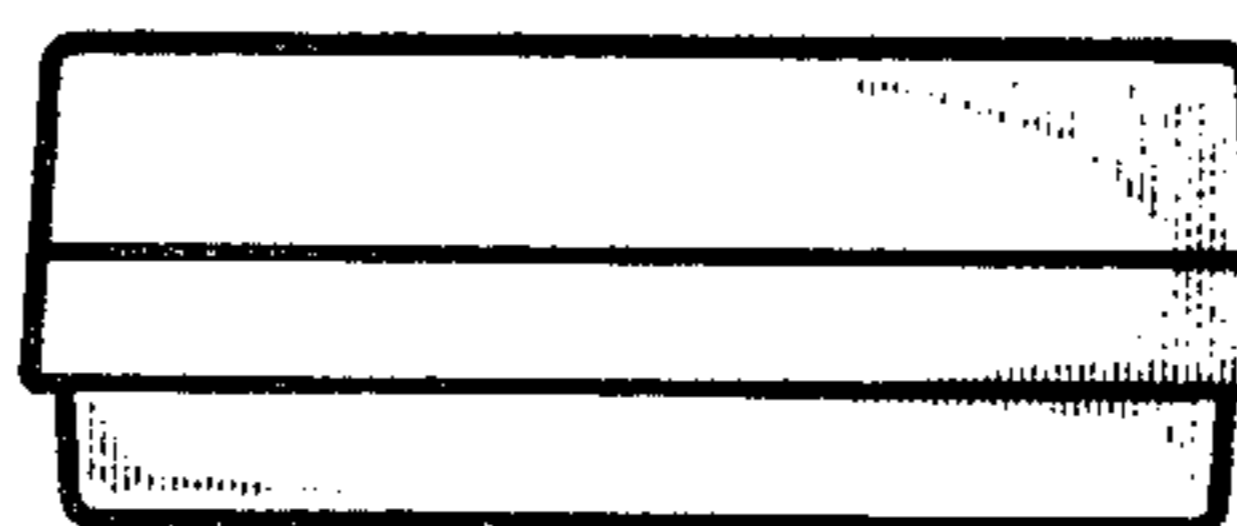


FIG 6

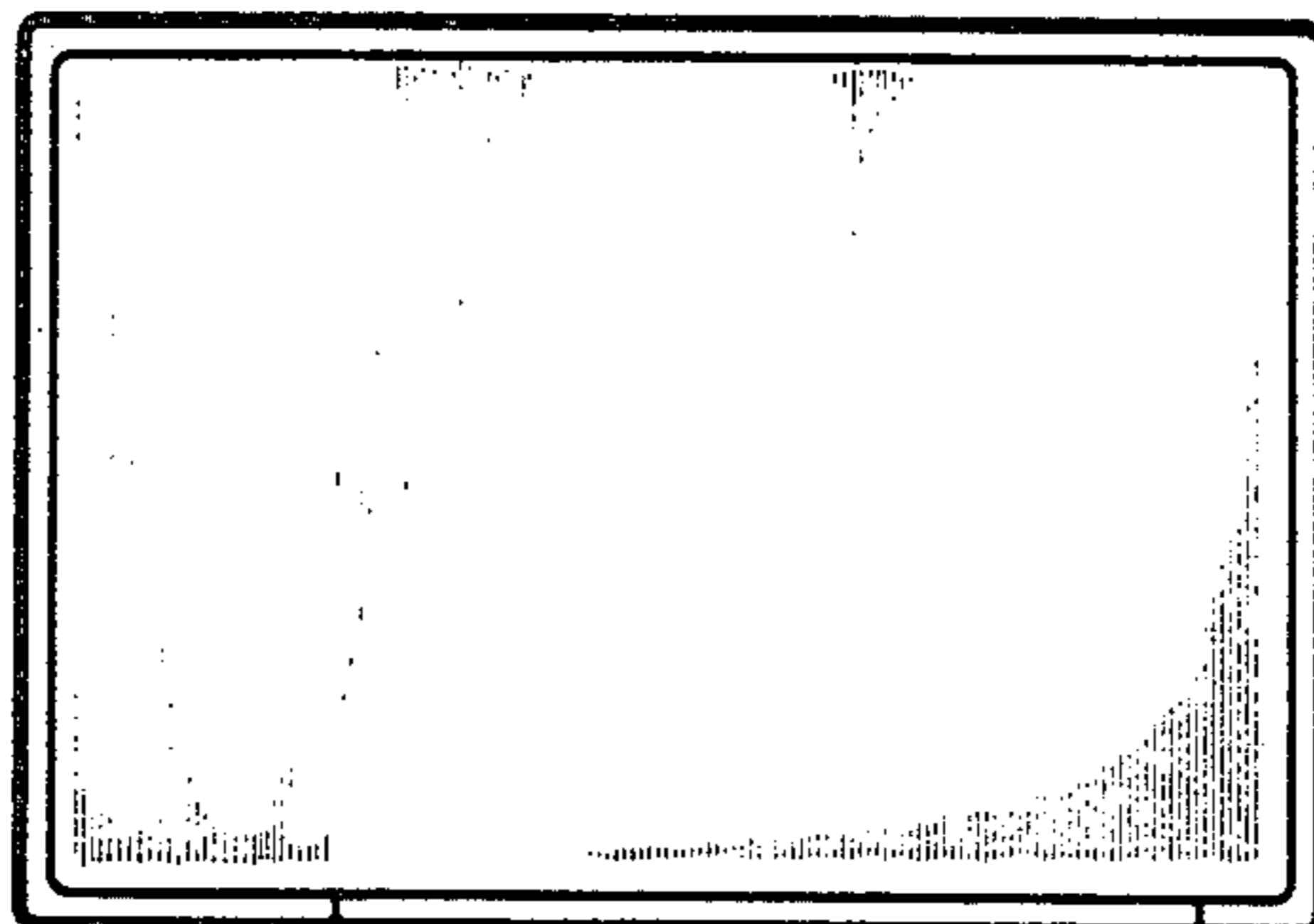


FIG 7