

[54] **TELEVISION RECEIVER**

[75] **Inventors:** Toyoyuki Uematsu, Osaka; Yoshiaki Kawata; Kazunori Mano, both of Hyogo, all of Japan

[73] **Assignee:** Matsushita Electric Industrial Co., Ltd., Osaka, Japan

[**] **Term:** 14 Years

[21] **Appl. No.:** 504,207

[22] **Filed:** Jun. 14, 1983

[30] **Foreign Application Priority Data**

Dec. 20, 1982 [JP]	Japan	57-57205
[52] U.S. Cl.		D14/80; D14/77
[58] Field of Search		D14/77, 79-84; 312/7.2

[56]

References Cited

U.S. PATENT DOCUMENTS

D. 256,240	8/1980	Sugiwaka et al.	D14/80
D. 264,081	4/1982	Sekita et al.	D14/79 X
D. 268,495	4/1983	Terauchi et al.	D14/80

Primary Examiner—Jane E. Corrigan
Attorney, Agent, or Firm—Sughrue, Mion, Zinn, Macpeak & Seas

[57]

CLAIM

The ornamental design for a television receiver, as shown and described.

DESCRIPTION

FIG. 1 is a front, top and right side perspective view of a television receiver showing our new design; FIG. 2 is a rear, bottom and left side perspective view thereof; and FIG. 3 is a view like FIG. 1, with the pivotable cover lowered and the screen retracted.

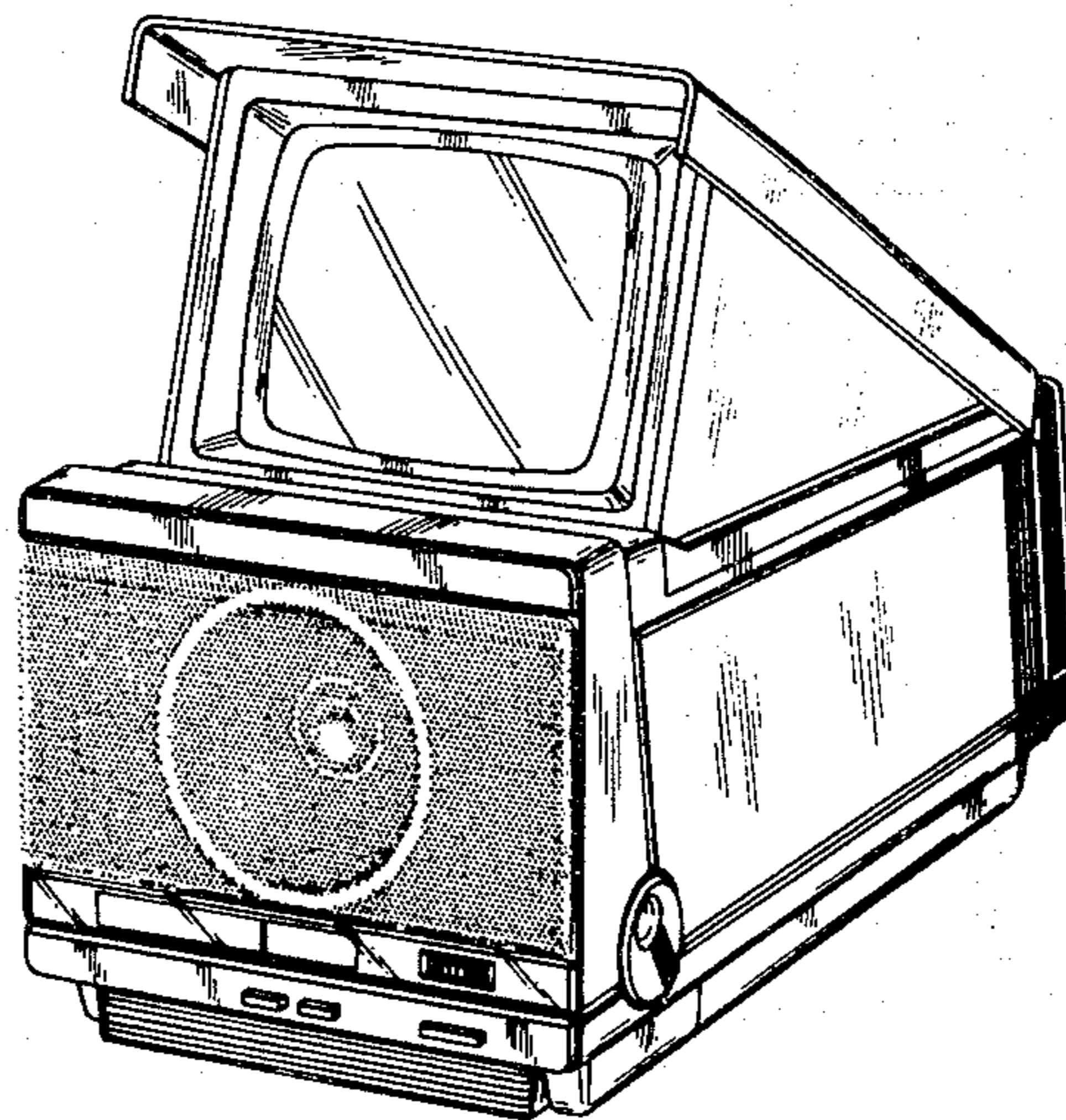


FIG. 1

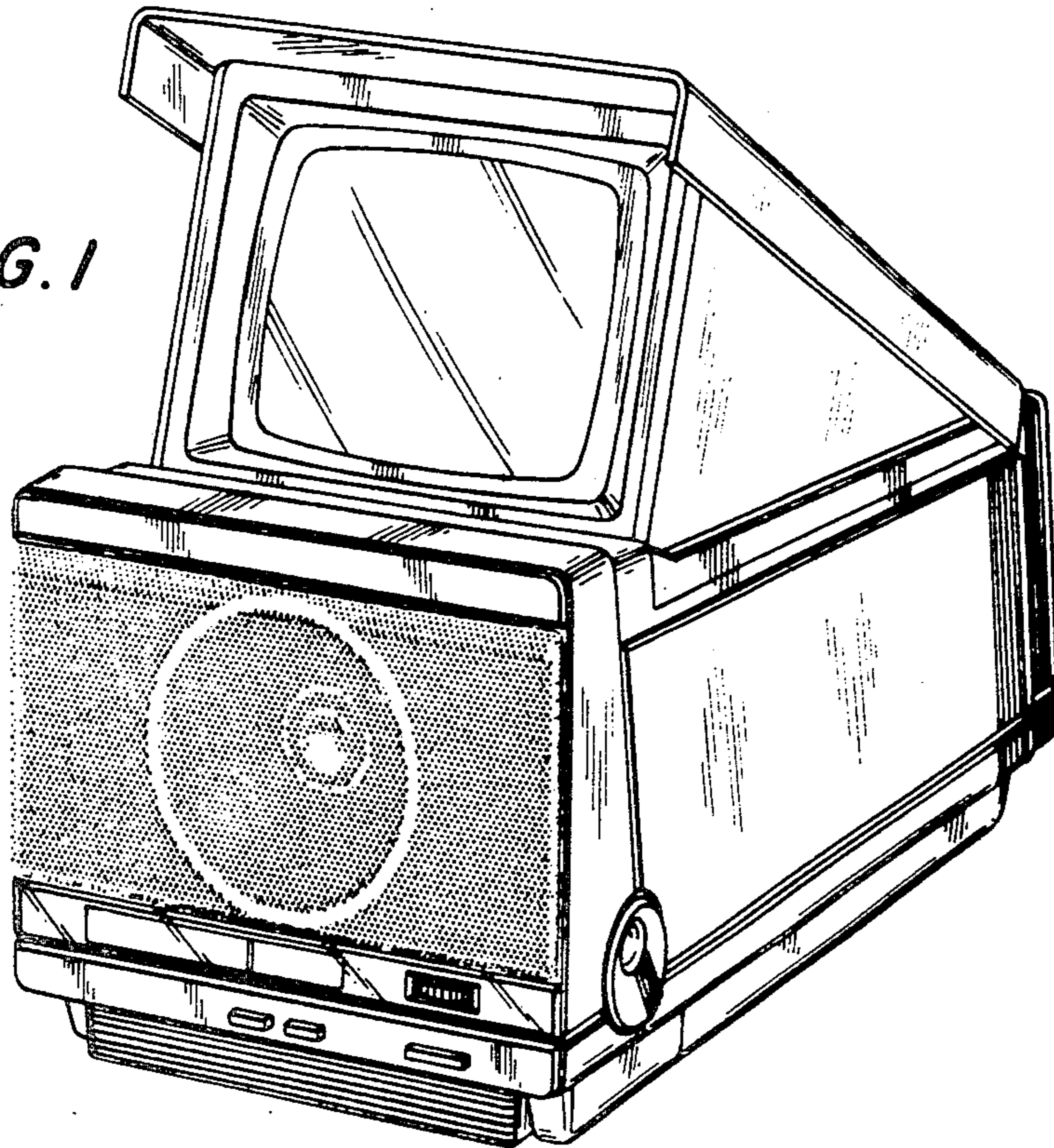


FIG. 2

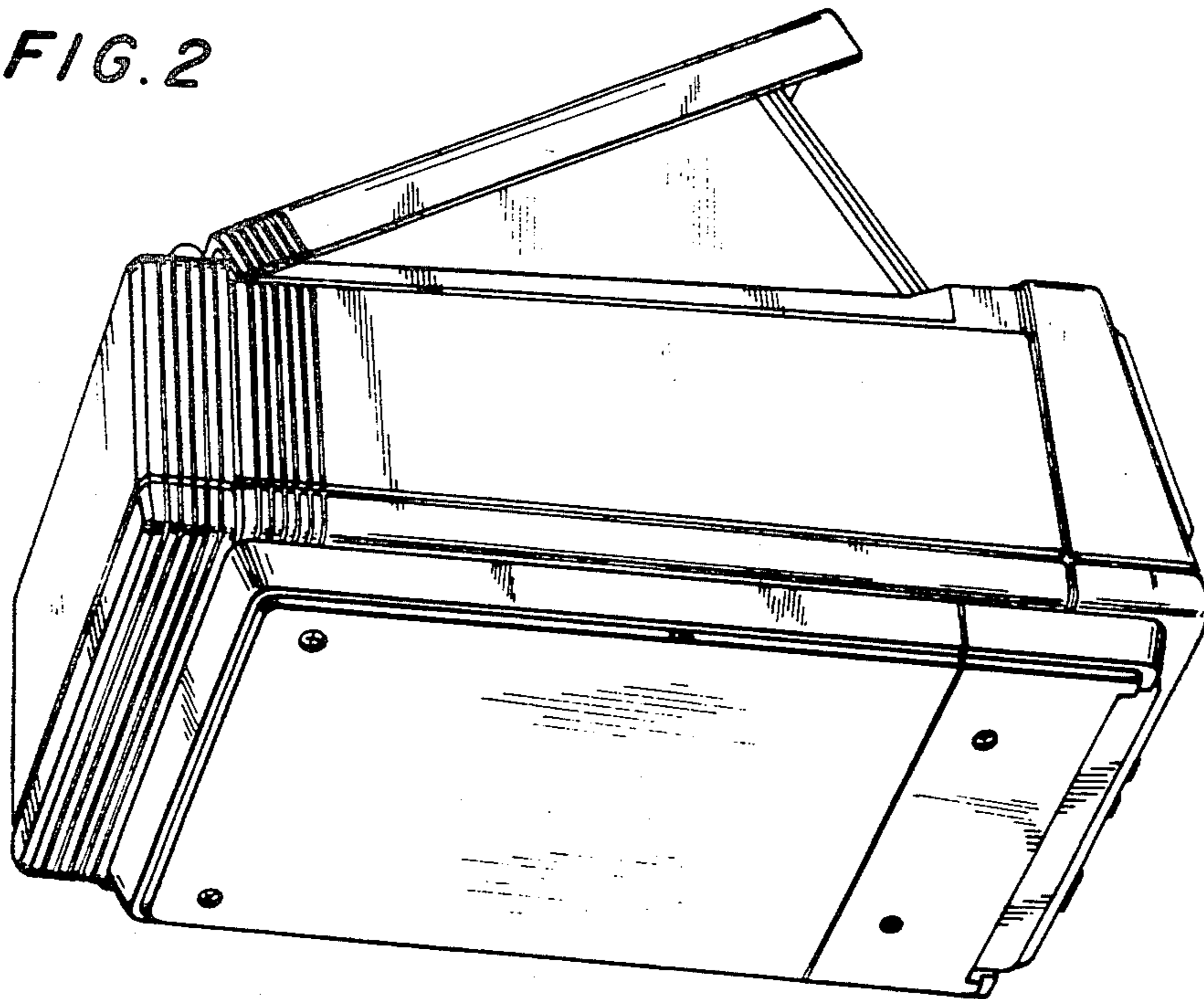


FIG. 3

