

[54] ELECTRONIC HAND WHEEL FOR CONTROLLING THE OPERATING COMPONENTS OF A MACHINE OR THE LIKE

[75] Inventor: Alfons Ernst, Traunreut, Fed. Rep. of Germany

[73] Assignee: Dr. Johannes Heidenhain GmbH, Traunreut, Fed. Rep. of Germany

[\*\*] Term: 14 Years

[21] Appl. No.: 439,573

[22] Filed: Nov. 5, 1982

[30] Foreign Application Priority Data

May 13, 1982 [DE] Fed. Rep. of Germany ..... MR III 1490

[52] U.S. Cl. .... D13/12

[58] Field of Search ..... D13/32, 35, 12, 99; 74/552-557; D23/21

[56] References Cited

U.S. PATENT DOCUMENTS

D. 56,907	1/1921	Bissell .....	D13/35
3,596,630	8/1971	Edelman .....	74/553
3,857,300	12/1974	O'Dell et al. ....	74/557

Primary Examiner—Wallace R. Burke  
Assistant Examiner—Lynn Wilder  
Attorney, Agent, or Firm—William, Brinks, Olds, Hofer, Gilson & Lione Ltd.

[57] CLAIM

The ornamental design for an electronic hand wheel for controlling the operating components of a machine or the like, substantially as shown.

DESCRIPTION

FIG. 1 is a perspective view of the electronic hand wheel for controlling the operating components of a machine or the like showing my new design; FIG. 2 is a front elevational view thereof; FIG. 3 is a back elevational view thereof; FIG. 4 is a side elevational view thereof; FIG. 5 is a side elevational view thereof; FIG. 6 is a top plan view thereof; and FIG. 7 is a bottom plan view thereof.

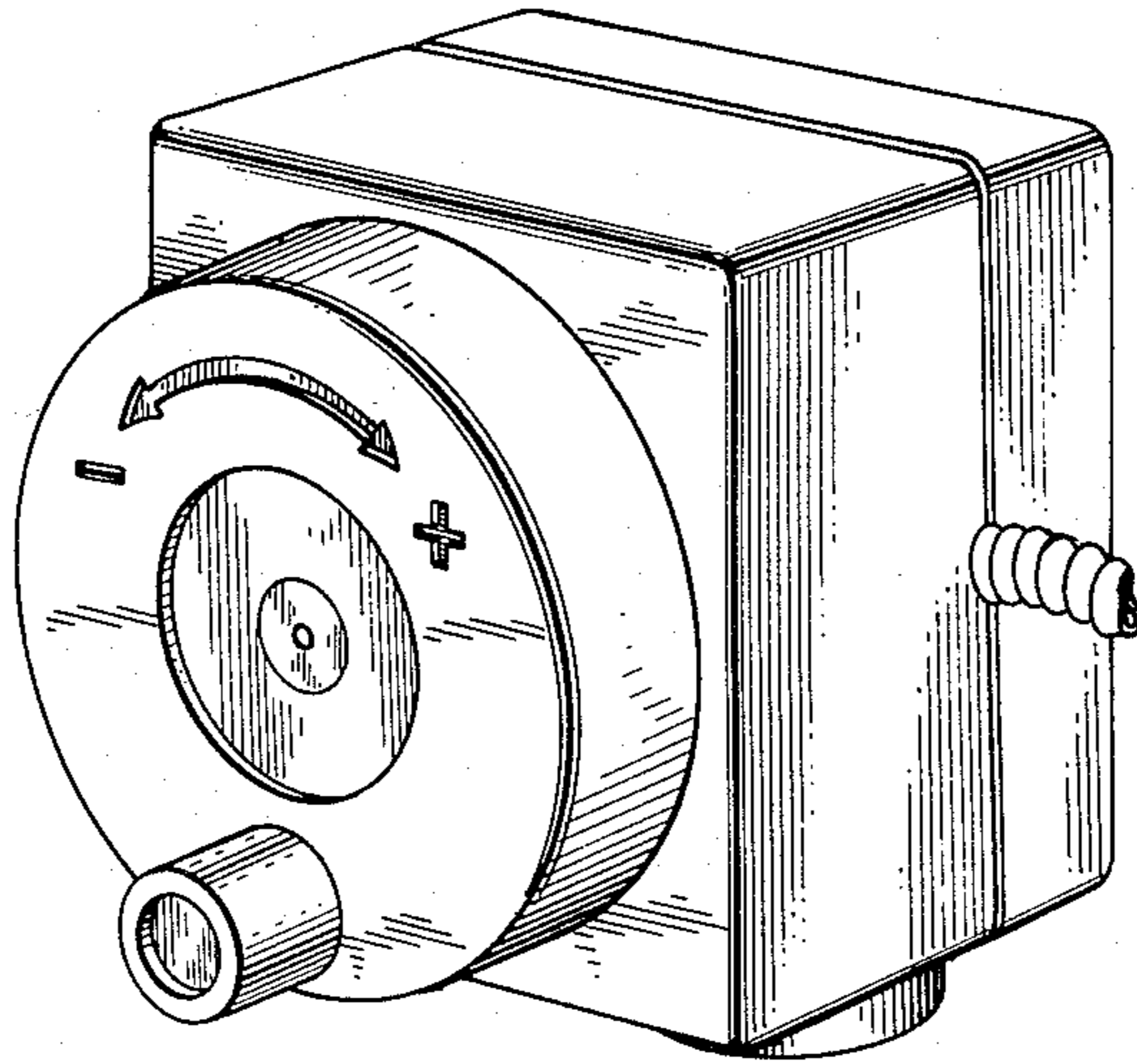


FIG. 1

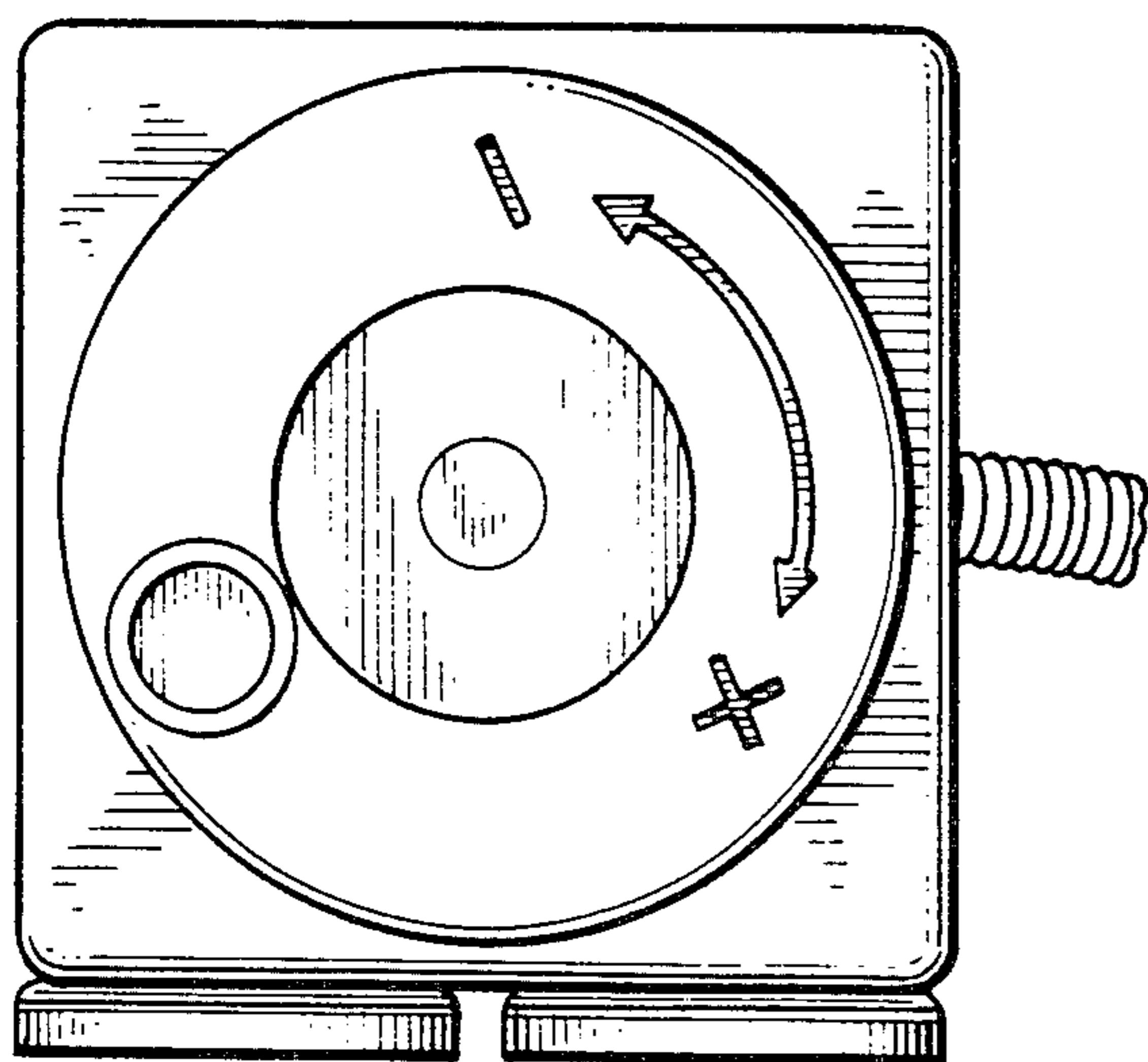
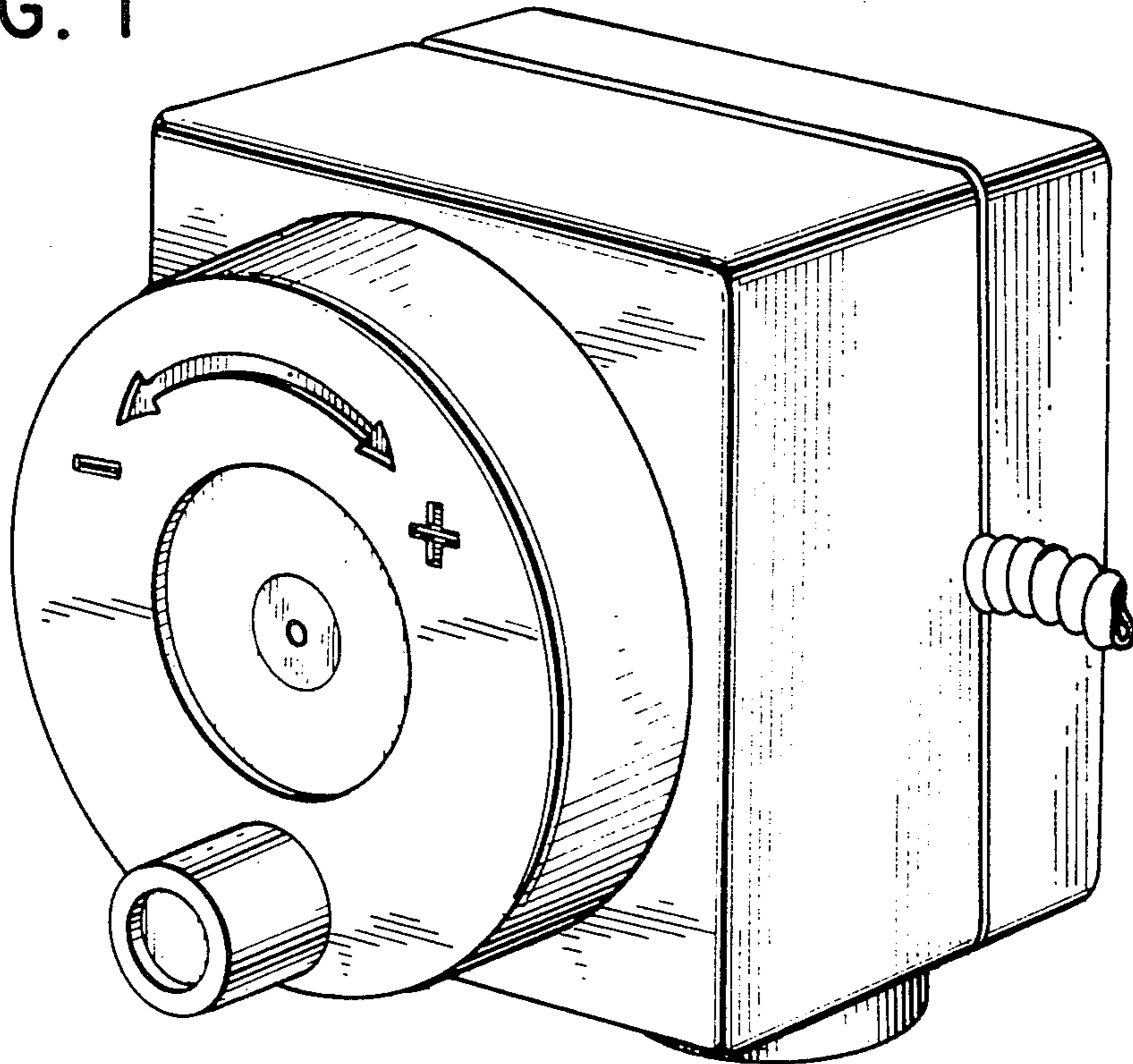


FIG. 2

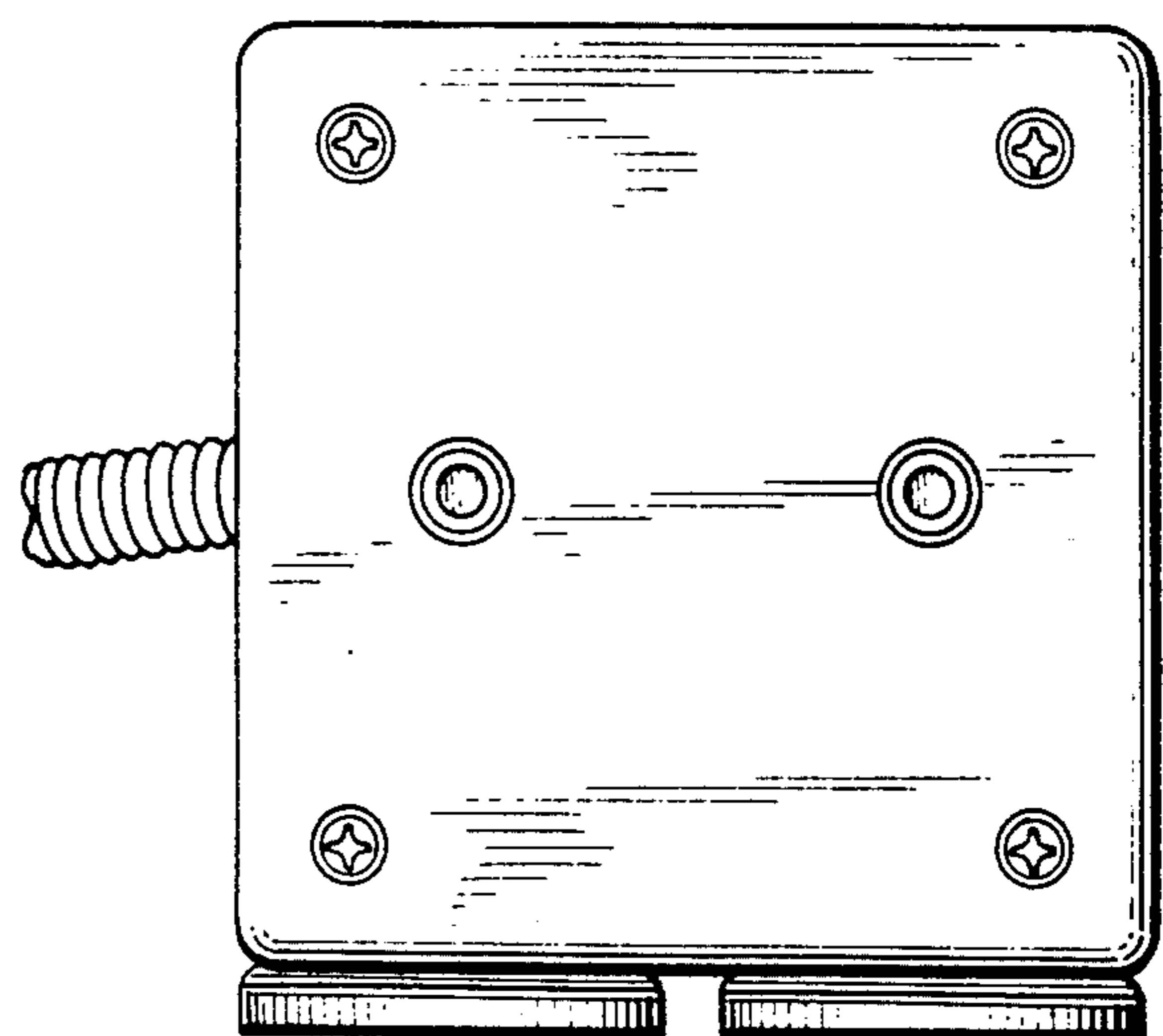


FIG. 3

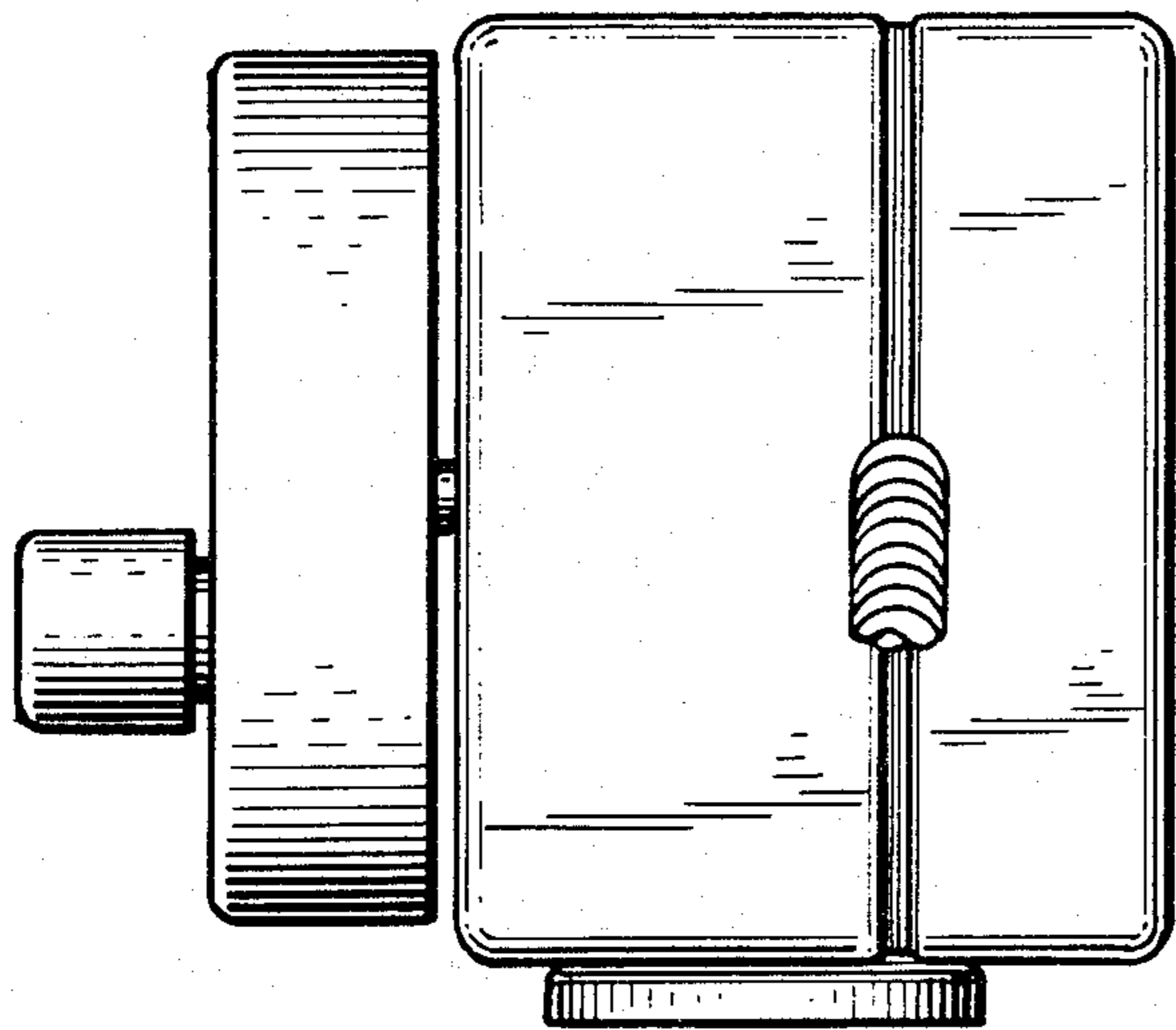


FIG. 4

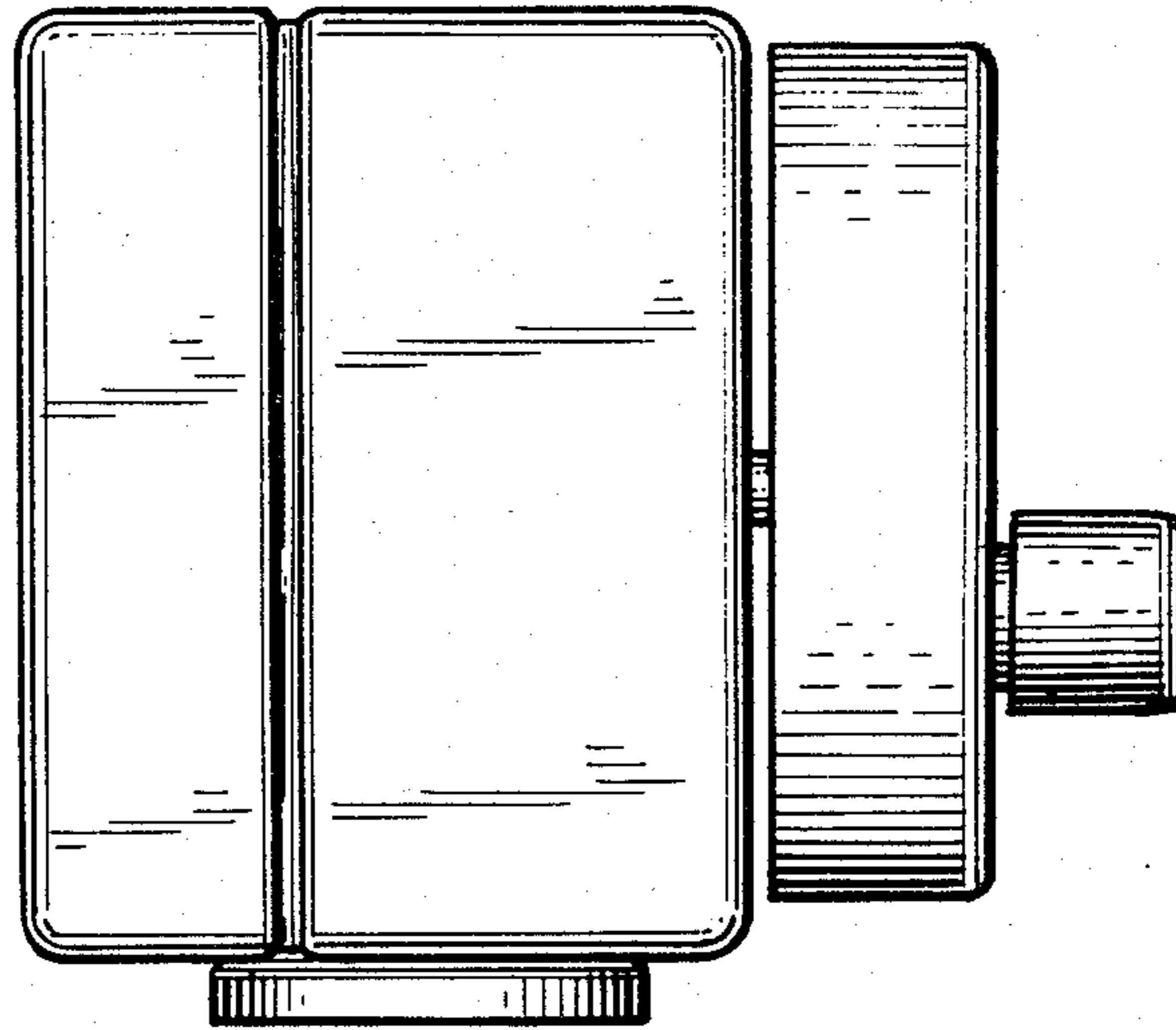


FIG. 5

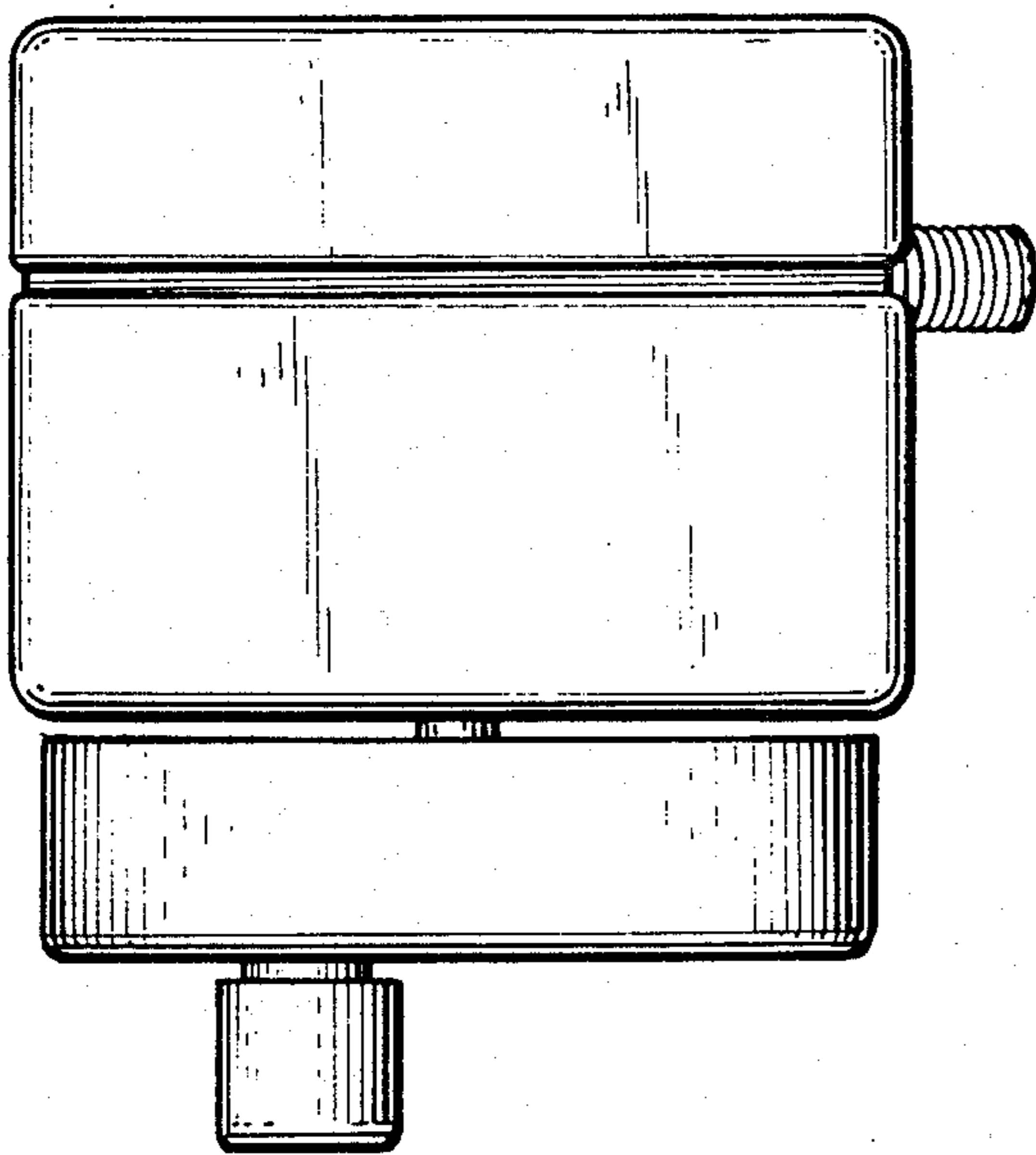


FIG. 6

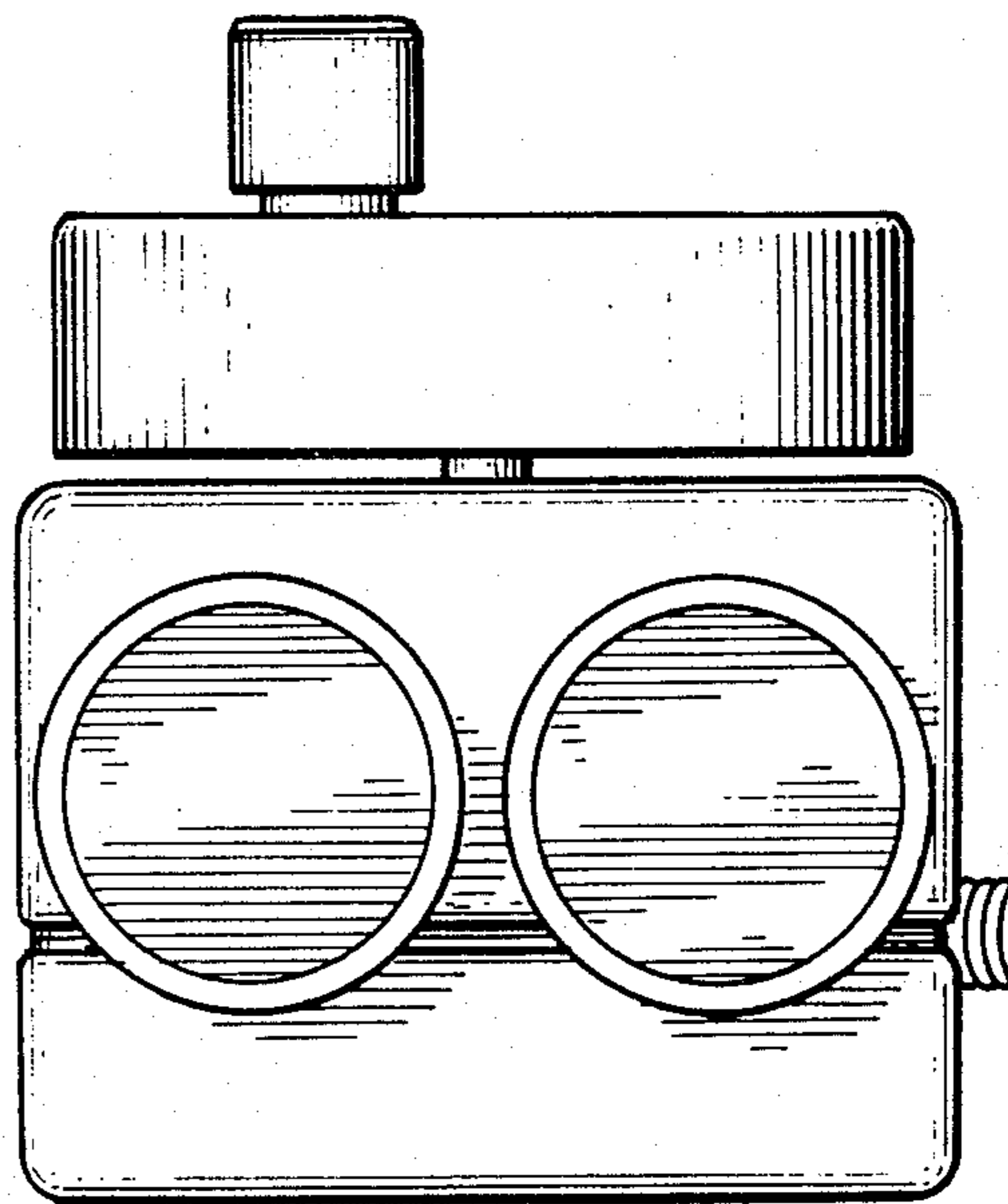


FIG. 7

UNITED STATES PATENT AND TRADEMARK OFFICE  
**CERTIFICATE OF CORRECTION**

PATENT NO. : D 282,460  
DATED : February 4, 1986  
INVENTOR(S) : Alfons Ernst

It is certified that error appears in the above-identified patent and that said Letters Patent is hereby corrected as shown below:

Title page:

IN THE DESCRIPTION

In the description line 1, please delete "head" and substitute therefore --hand--.

**Signed and Sealed this**

*Third Day of June 1986*

[SEAL]

*Attest:*

**DONALD J. QUIGG**

*Attesting Officer*

*Commissioner of Patents and Trademarks*