

[54] WHEEL CHOCK

[76] Inventor: Charles J. Sauber, 10 N. Sauber Rd., Virgil, Ill. 60182

[**] Term: 14 Years

[21] Appl. No.: 468,159

[22] Filed: Feb. 22, 1983

[52] U.S. Cl. D12/217

[58] Field of Search D12/217; 188/32

[56] References Cited

U.S. PATENT DOCUMENTS

1,574,729	2/1926	Foster	238/14
3,025,002	3/1962	Kunz	238/14
3,357,639	12/1967	Peterson	238/14
3,387,686	6/1968	Little	188/32
3,512,613	5/1970	Peterson	188/32
3,878,988	4/1975	Blais	238/14

3,910,491	10/1975	Ducharme	238/14
3,917,227	11/1975	West	254/88
4,034,961	7/1977	Breen	188/32
4,300,722	11/1981	Simmons	238/14

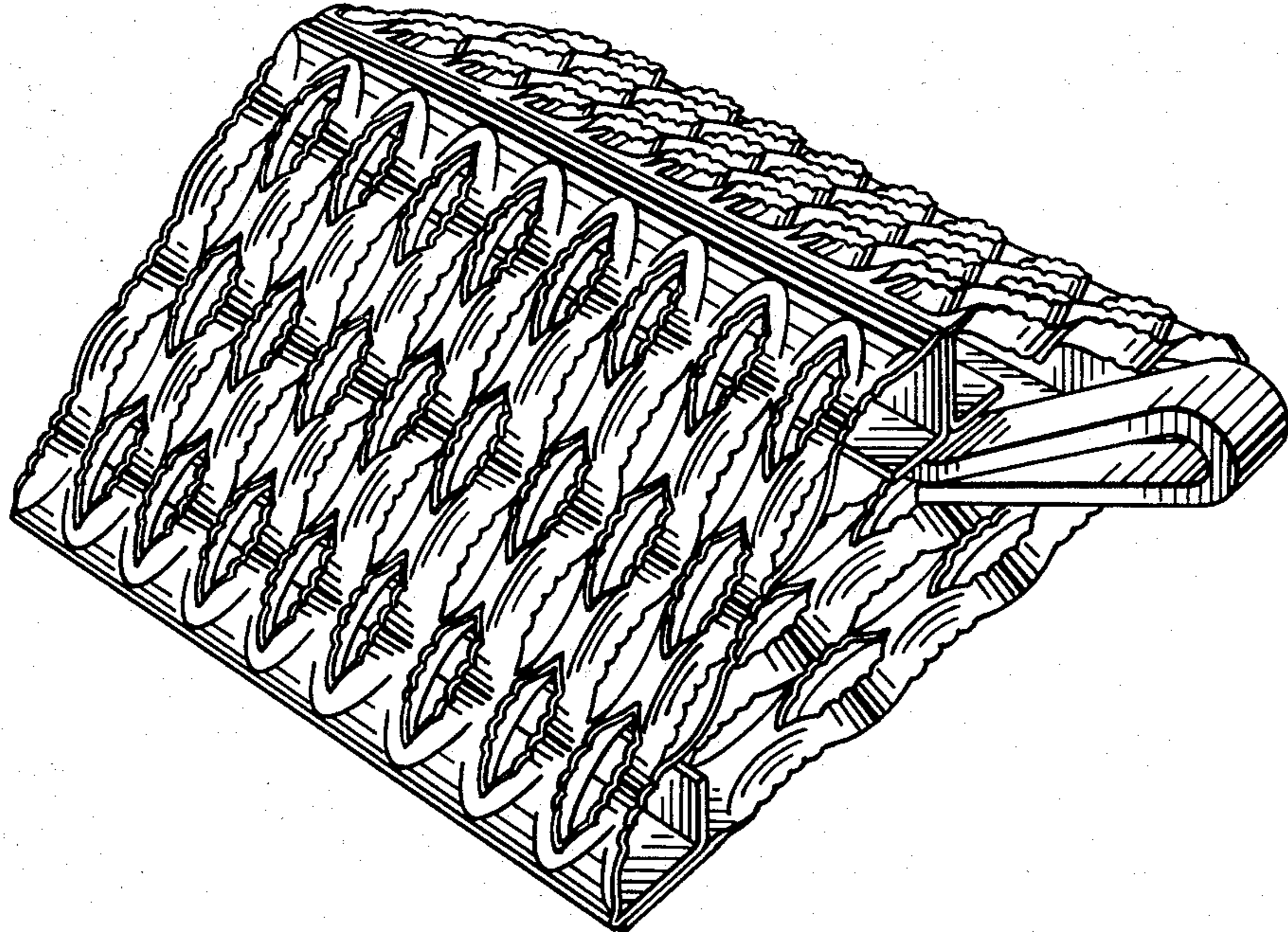
Primary Examiner—James M. Gandy
Attorney, Agent, or Firm—Leydig, Voit & Mayer, Ltd.

[57] CLAIM

The ornamental design for a wheel chock, as shown and described.

DESCRIPTION

FIG. 1 is a perspective top view of a wheel chock embodying my new design;
FIG. 2 is a top perspective view taken from the opposite side thereof;
FIG. 3 is a side elevation view thereof;
FIG. 4 is a top plan view thereof;
FIG. 5 is a bottom plan view thereof; and
FIG. 6 is an end elevation view thereof.



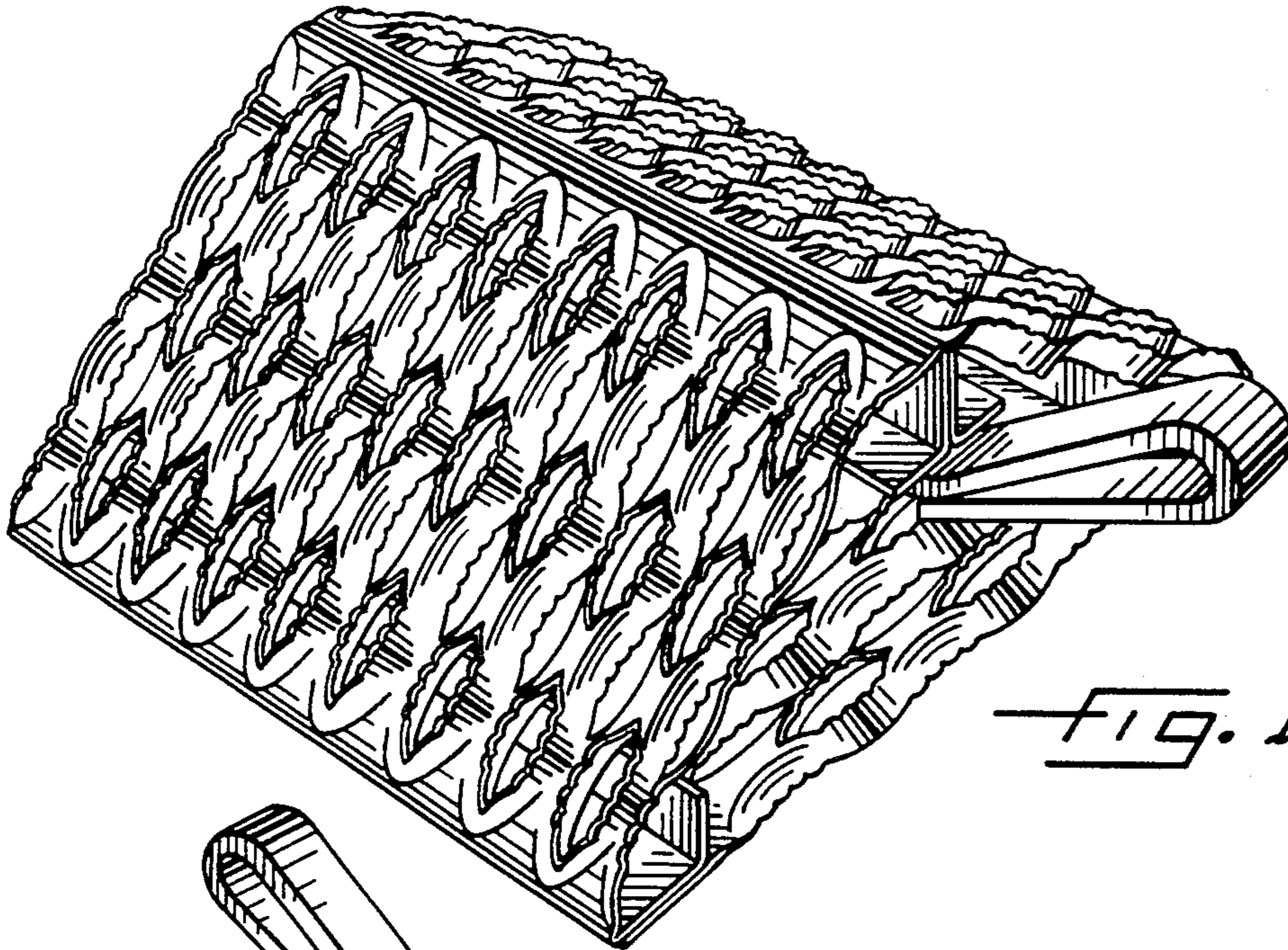


FIG. 1.

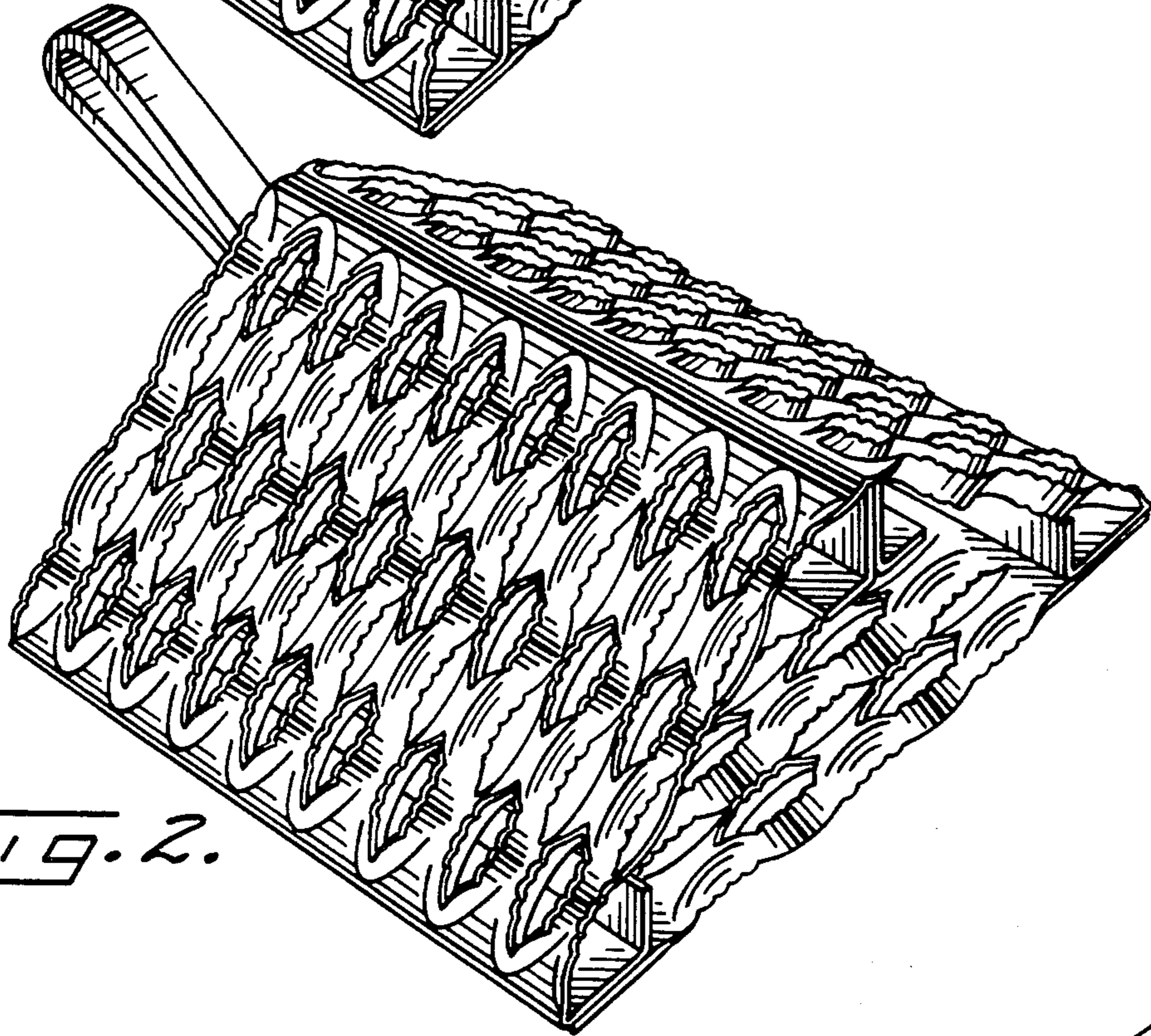


FIG. 2.

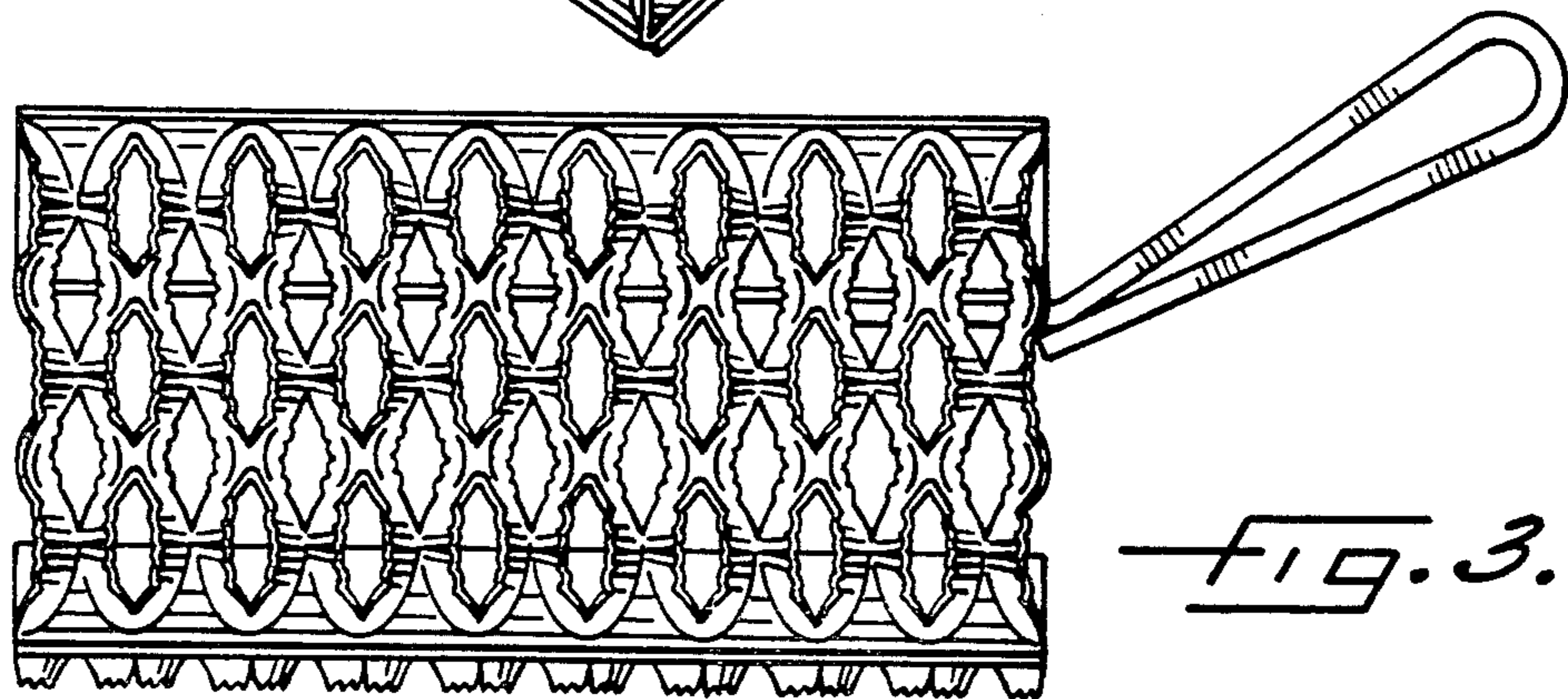


FIG. 3.

FIG. 4.

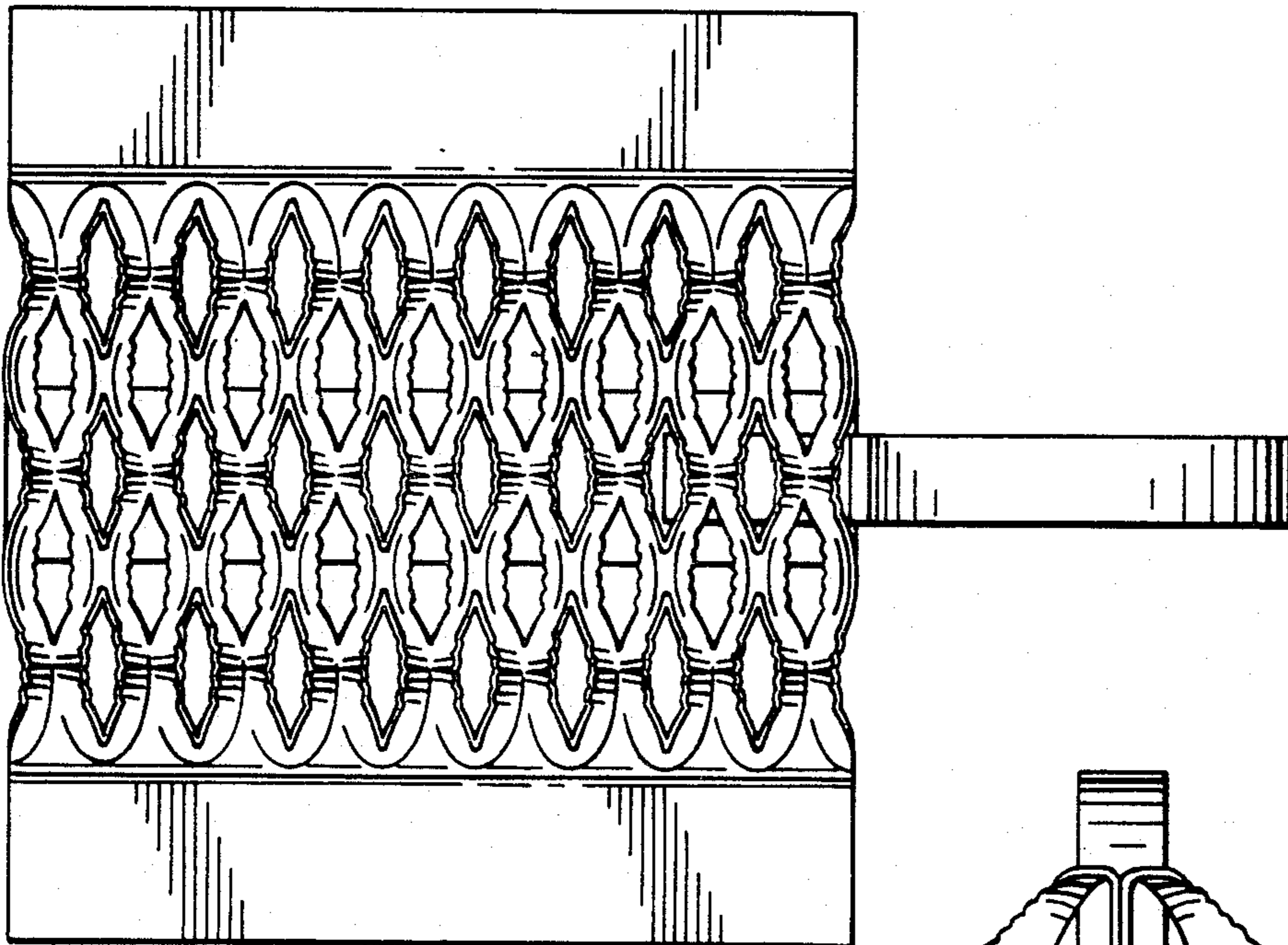
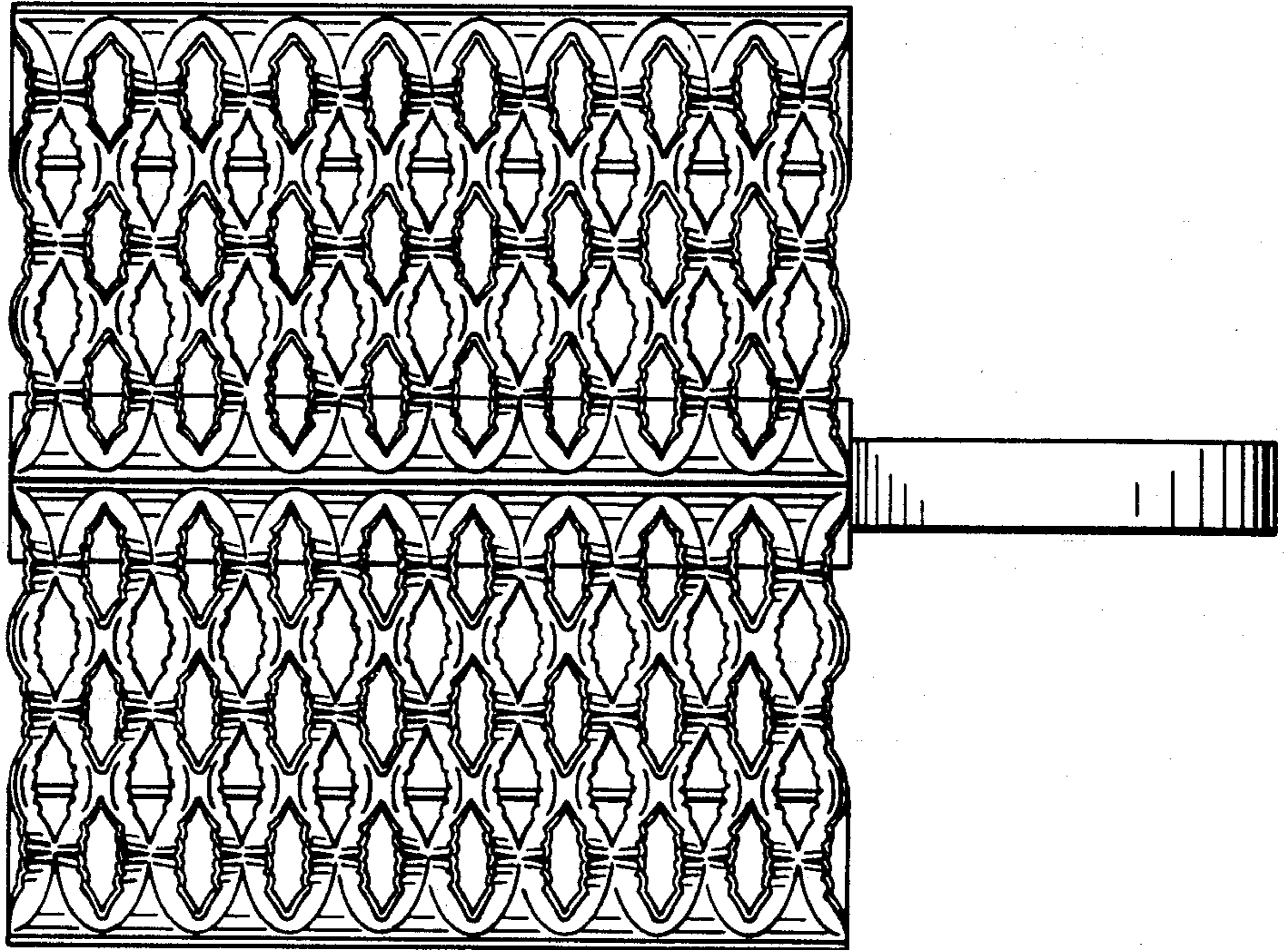


FIG. 5.

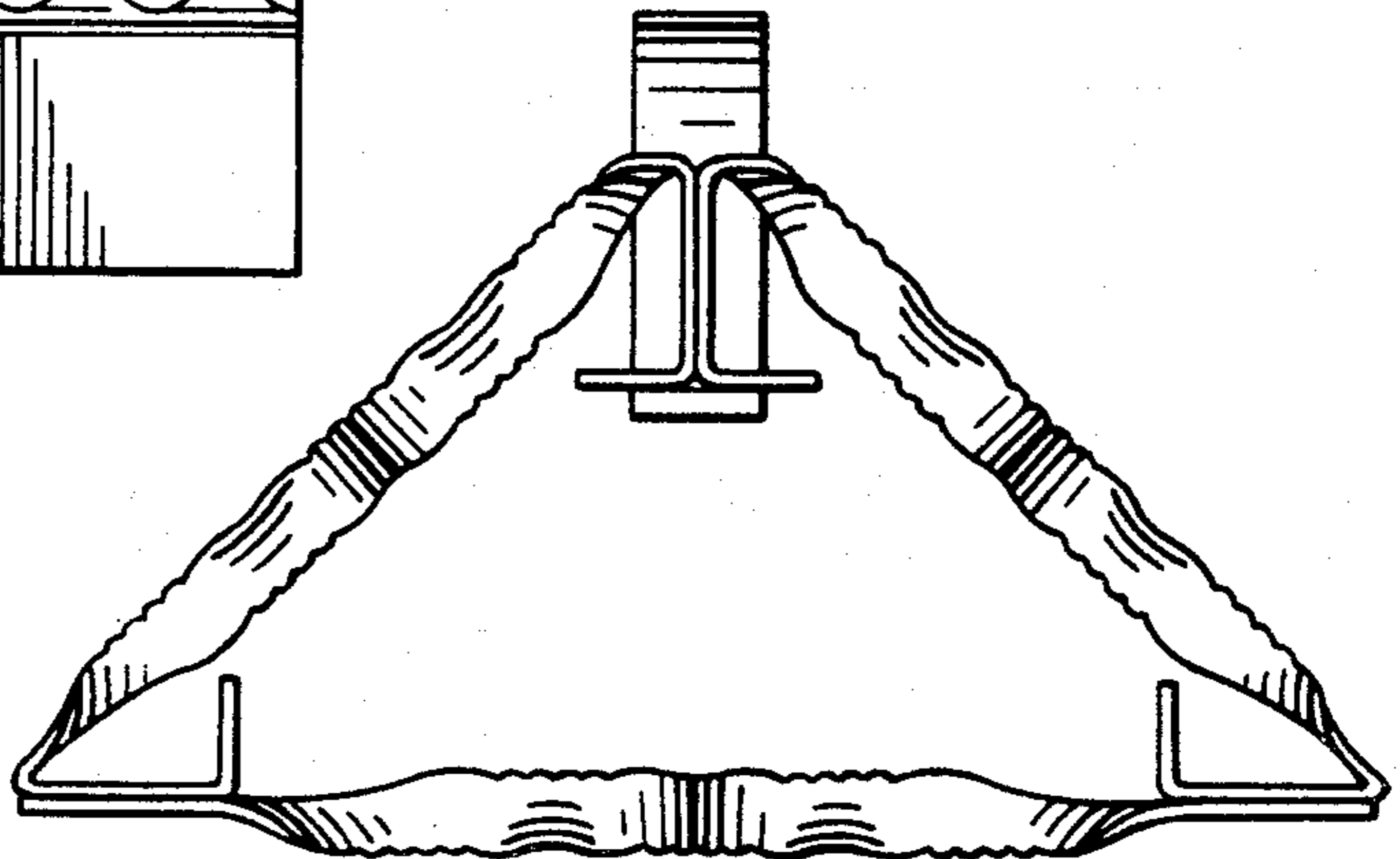


FIG. 6.