

[54] AIR DEFLECTOR FOR CLEANING  
AUTOMOTIVE MIRROR

[76] Inventor: Flavious L. Whittington, P.O. Box  
4223 CRS, Rock Hill, S.C. 29731

[\*\*] Term: 14 Years

[21] Appl. No.: 503,897

[22] Filed: Jun. 13, 1983

[52] U.S. Cl. .... D12/181; D12/187

[58] Field of Search ..... D12/181, 187; 350/582,  
350/584; 98/2.17, 2.12; 296/1 S, 84 B, 91

[56] References Cited

U.S. PATENT DOCUMENTS

2,622,481	12/1952	Triphahn	350/582
2,649,839	8/1953	Condon	350/582
2,758,509	8/1956	Owens	350/584
3,455,624	7/1969	Godfrey	350/584
3,667,369	6/1972	Smith	350/584
4,037,079	7/1977	Ambruster	350/584
4,196,930	4/1980	Busche	296/91
4,248,497	2/1981	Leighton	350/584

FOREIGN PATENT DOCUMENTS

1035499	7/1958	Fed. Rep. of Germany	350/584
---------	--------	----------------------	---------

2265581	10/1975	France	296/84 B
1020576	2/1966	United Kingdom	350/584
2048191	4/1980	United Kingdom	350/584

Primary Examiner—James M. Gandy  
Attorney, Agent, or Firm—Bell, Seltzer, Park & Gibson

[57] CLAIM

The ornamental design for an air deflector for cleaning automotive mirror, as shown and described.

DESCRIPTION

FIG. 1 is a rear elevation view of an air deflector for cleaning automotive mirror, embodying the present invention;

FIG. 2 is a sectional side view thereof taken substantially along the line 2—2 of FIG. 1;

FIG. 3 is a front perspective view thereof, looking down;

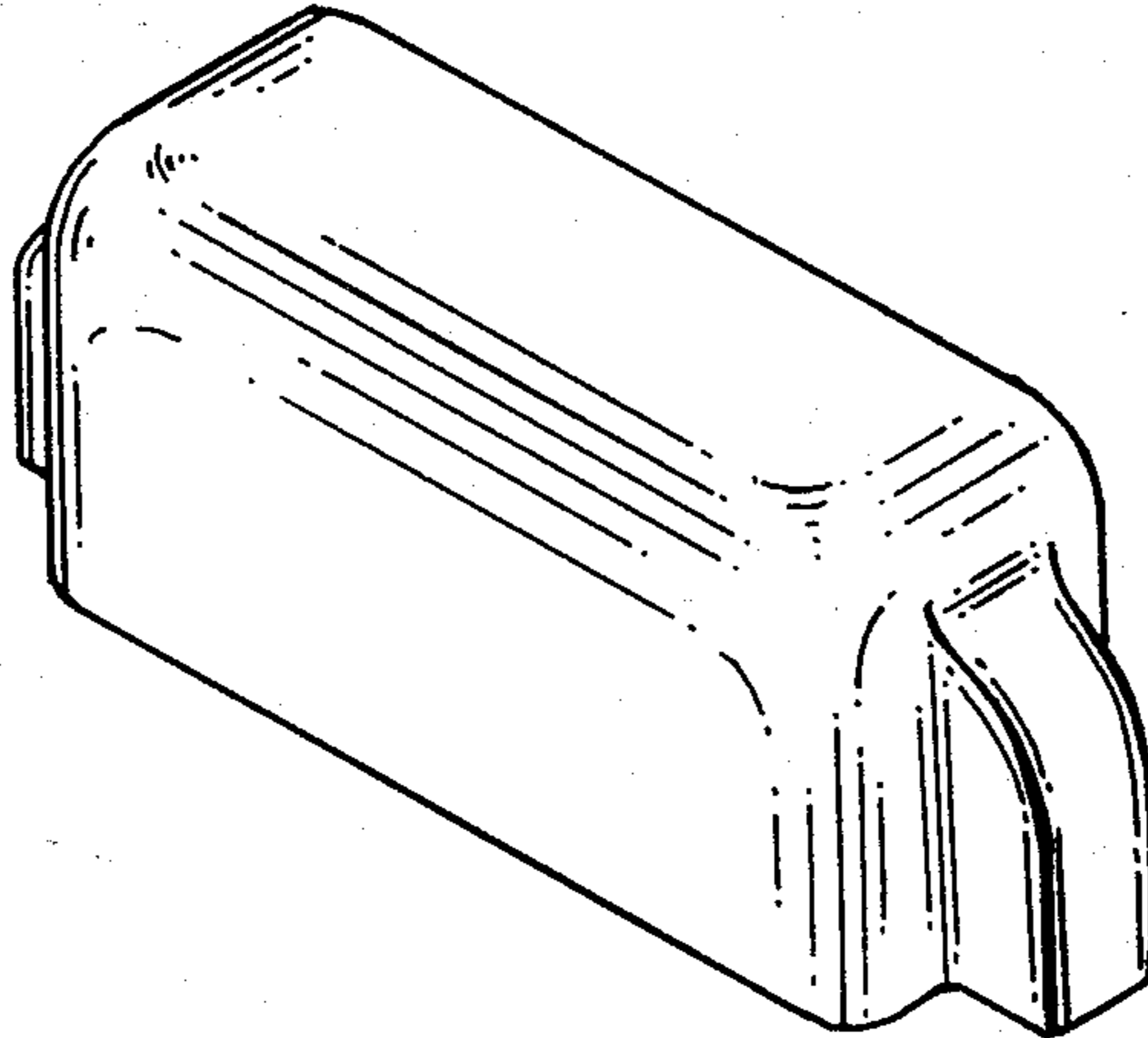
FIG. 4 is a rear perspective view thereof, looking down;

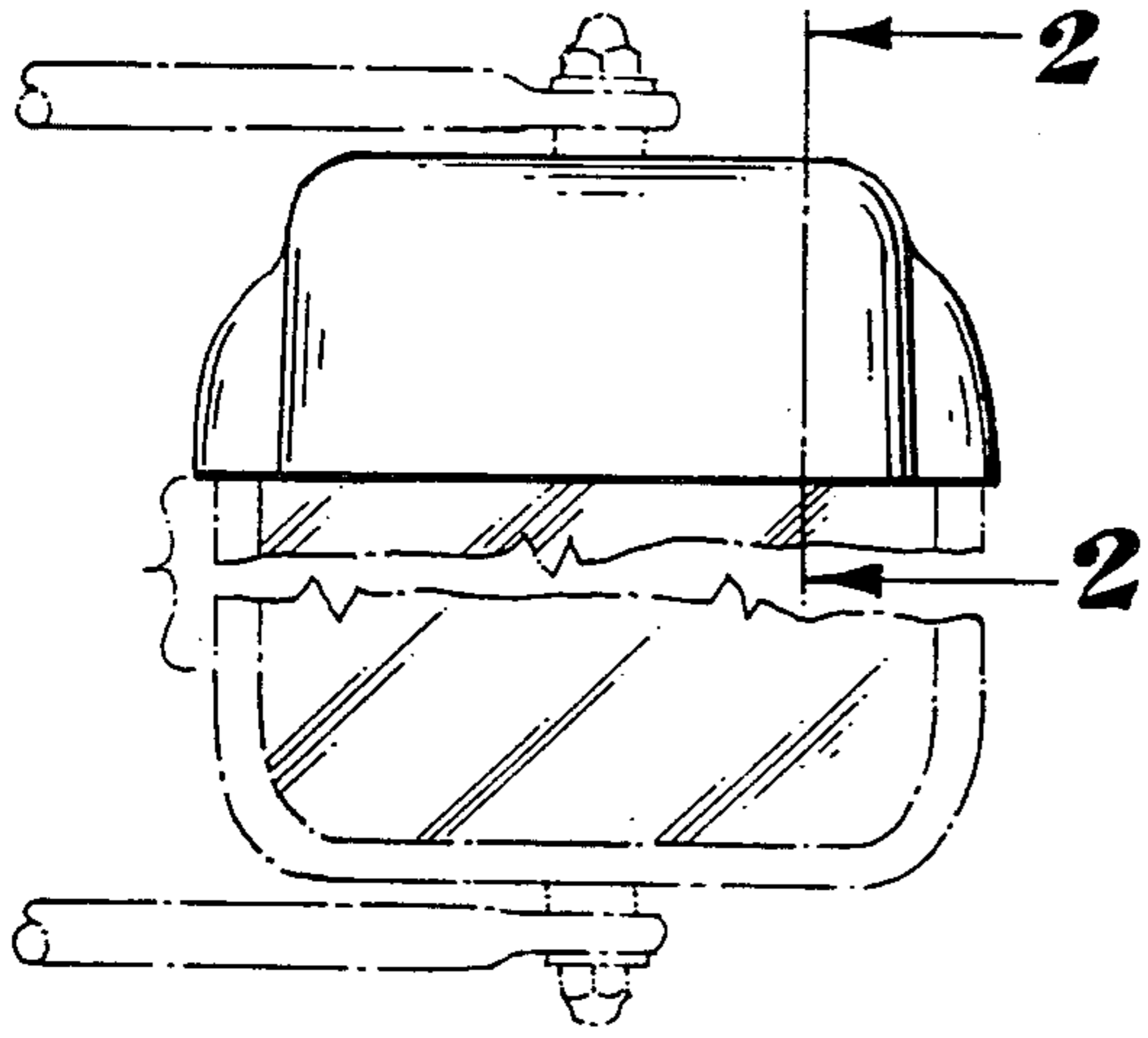
FIG. 5 is a front perspective view thereof, looking up;

FIG. 6 is a rear perspective view thereof, looking up; and

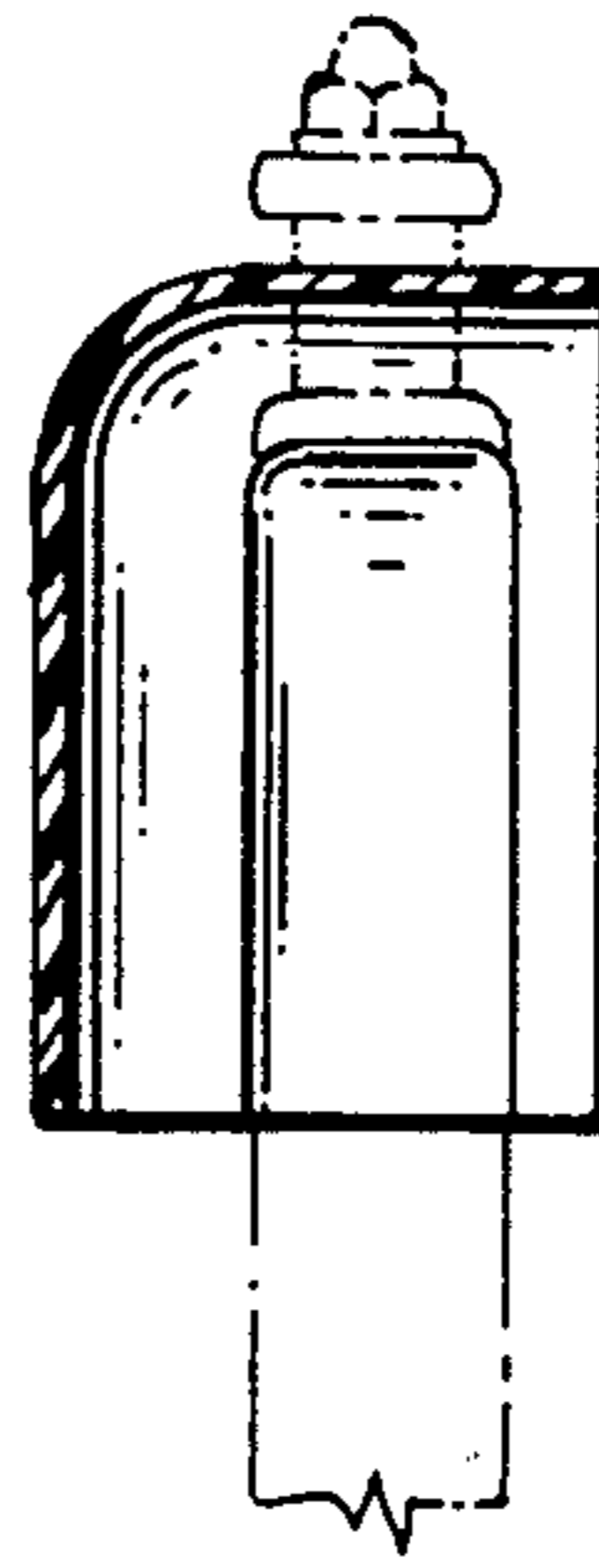
FIG. 7 is a top plan view thereof, looking in the direction of arrow 7 in FIG. 3.

The broken lines in FIGS. 1 and 2 of the drawing are for illustrative purposes only and form no part of the design.

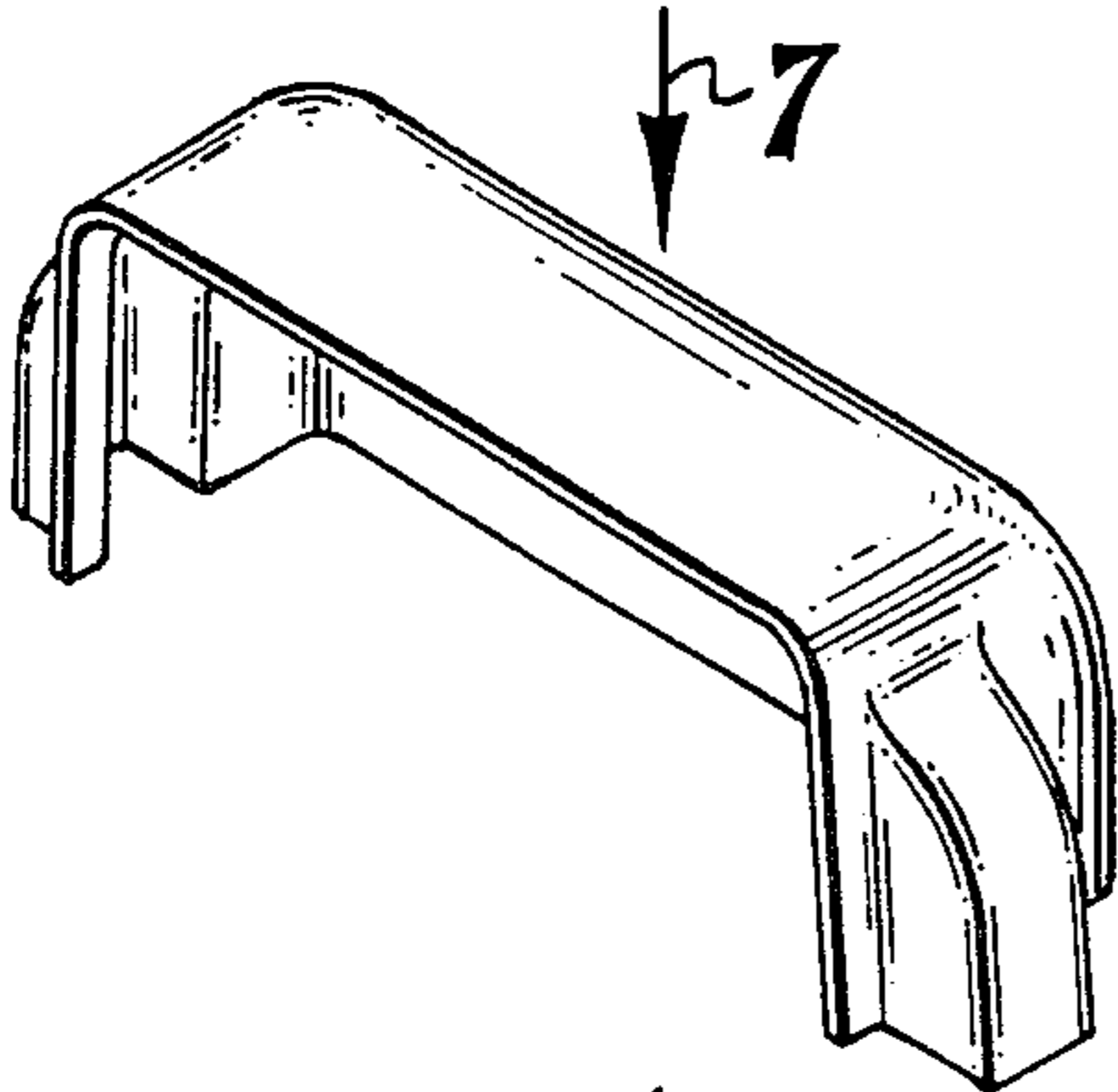




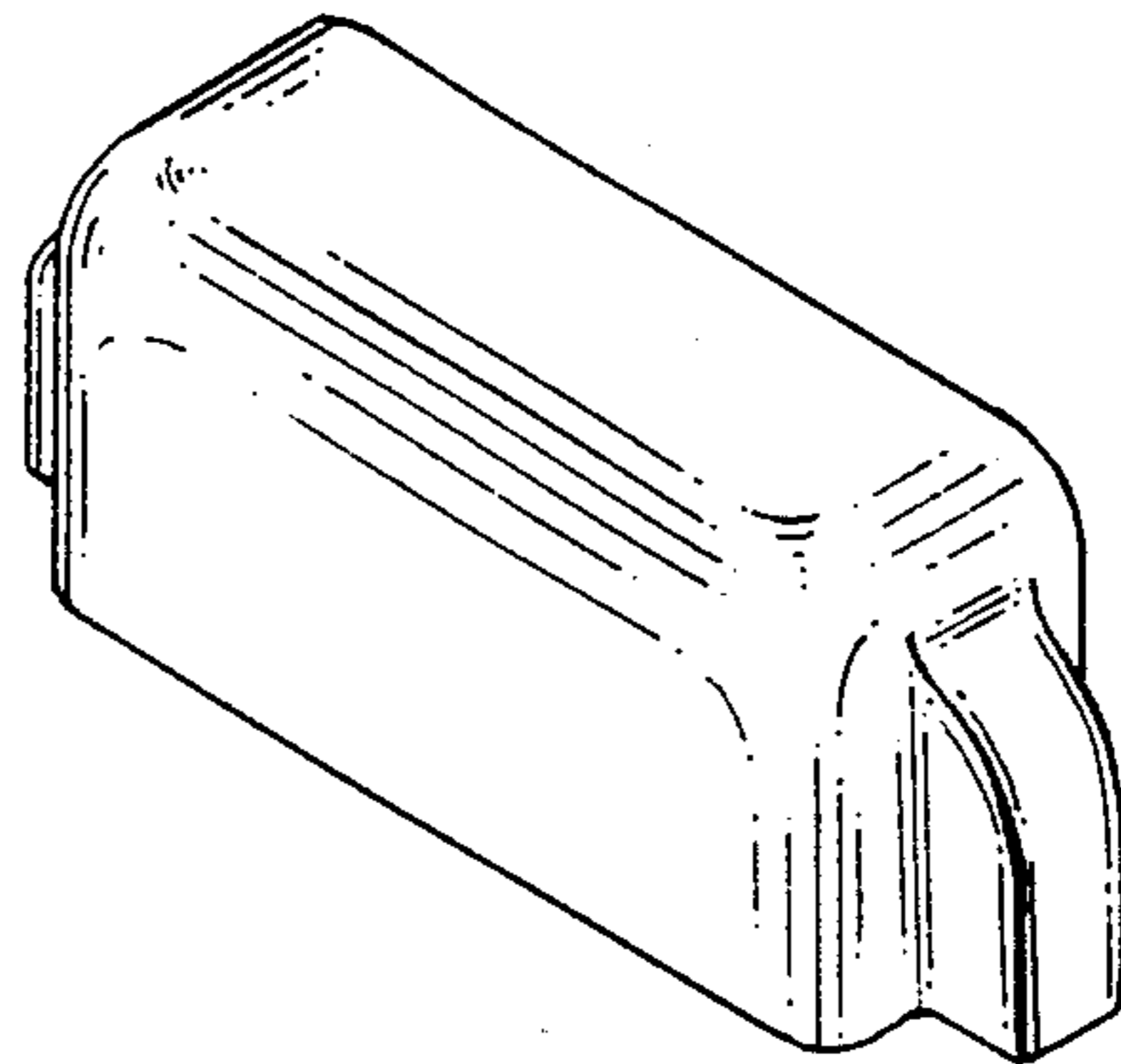
**FIG-1**



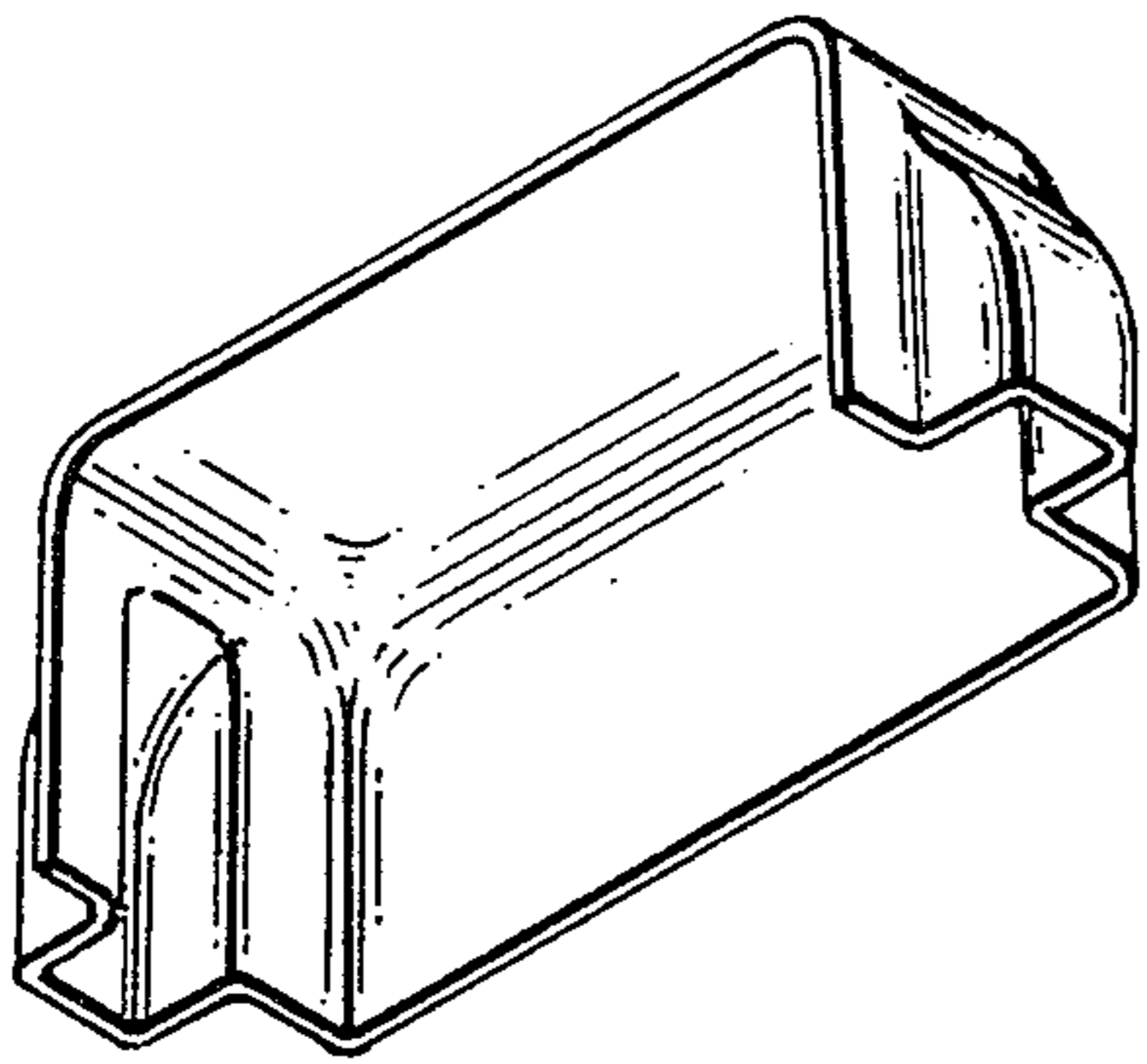
**FIG-2**



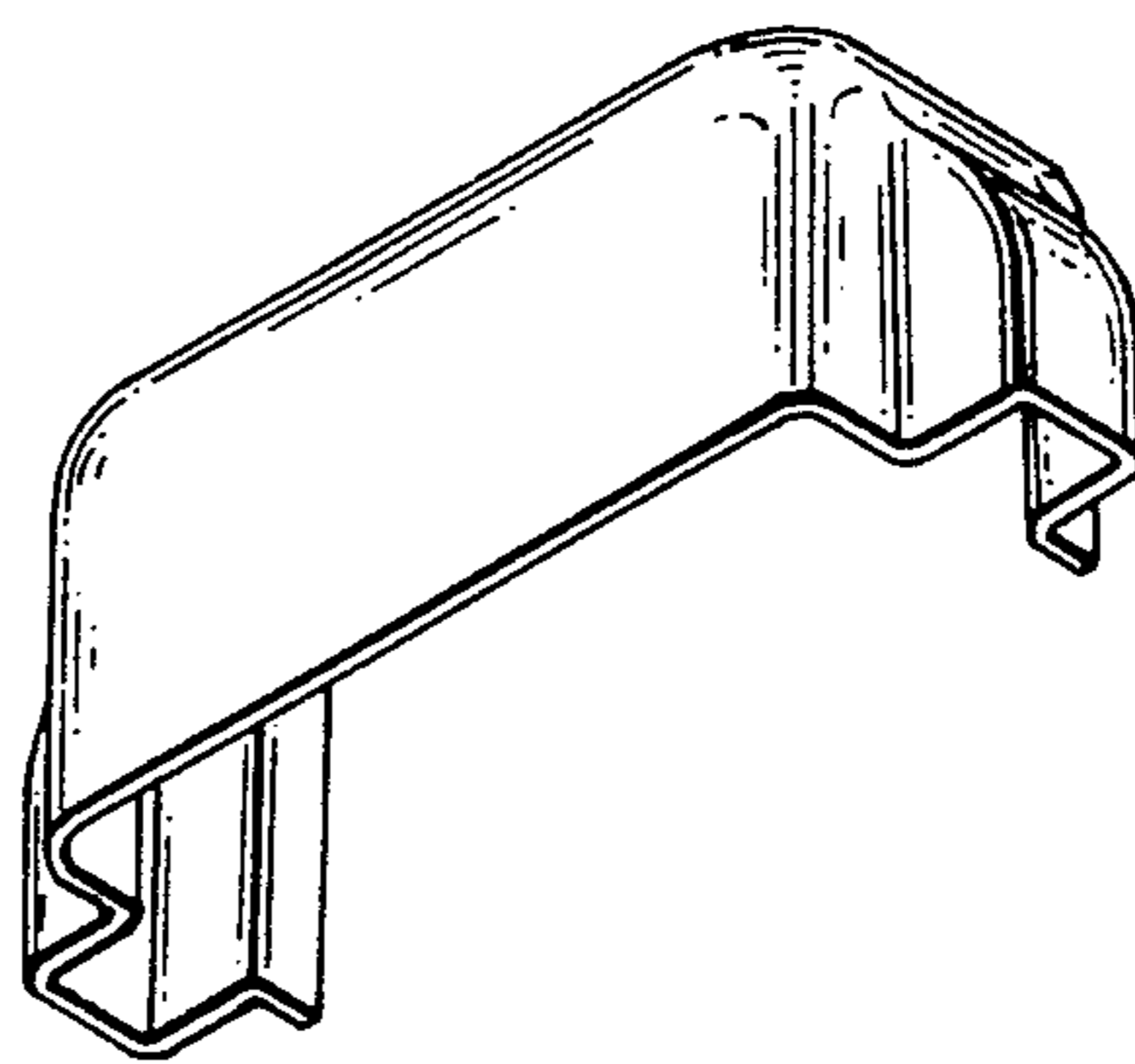
**FIG-3**



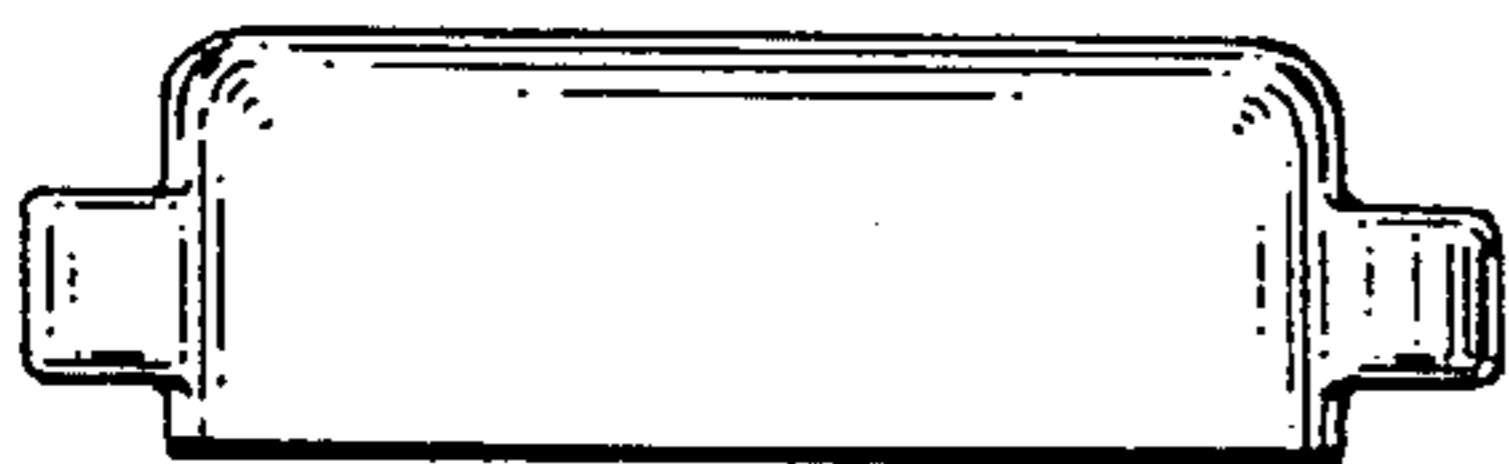
**FIG-4**



**FIG-5**



**FIG-6**



**FIG-7**