

[54] **POTATO MASHER**

[75] **Inventors: Robert P. Rauen, West Bend, Wis.;  
William C. Cesaroni, Glenview, Ill.**

[73] **Assignee: Dart Industries Inc., Northbrook, Ill.**

[\*\*] **Term: 14 Years**

[21] **Appl. No.: 527,057**

[22] **Filed: Aug. 29, 1983**

[52] **U.S. Cl. .... D7/101; D8/8;  
D8/97**

[58] **Field of Search ..... D7/101, 43; D8/107,  
D8/8, 97; 241/169.2; D12/179**

[56] **References Cited**

**U.S. PATENT DOCUMENTS**

- D. 124,885 1/1941 Zwicky ..... D7/102
- D. 250,630 12/1978 Allegretti ..... D8/8 X

- D. 269,848 7/1983 Covey ..... D8/97
- 604,965 5/1898 Cartwright ..... 241/169.2 X
- 2,442,353 6/1948 Gordean ..... 241/169.2

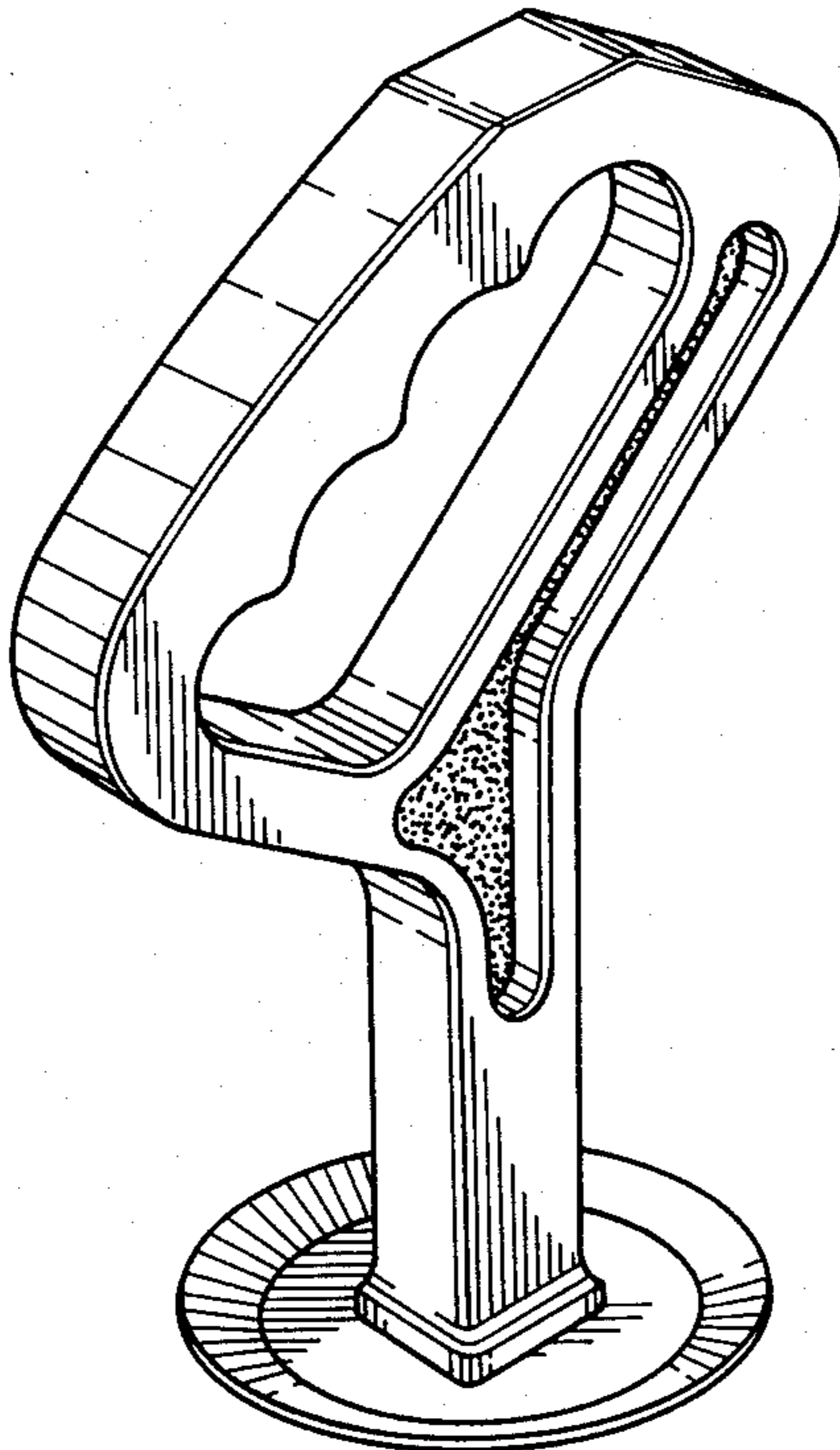
*Primary Examiner*—Bernard Ansher  
*Assistant Examiner*—Terry Pfeffer  
*Attorney, Agent, or Firm*—Gregory J. Mancuso

[57] **CLAIM**

The ornamental design for a potato masher, substantially as is shown.

**DESCRIPTION**

FIG. 1 is a perspective view of the potato masher showing our new design;  
FIG. 2 is a top plan view thereof;  
FIG. 3 is a bottom plan view thereof;  
FIG. 4 is a rear elevation thereof;  
FIG. 5 is a side elevation thereof; and  
FIG. 6 is a front elevation thereof.



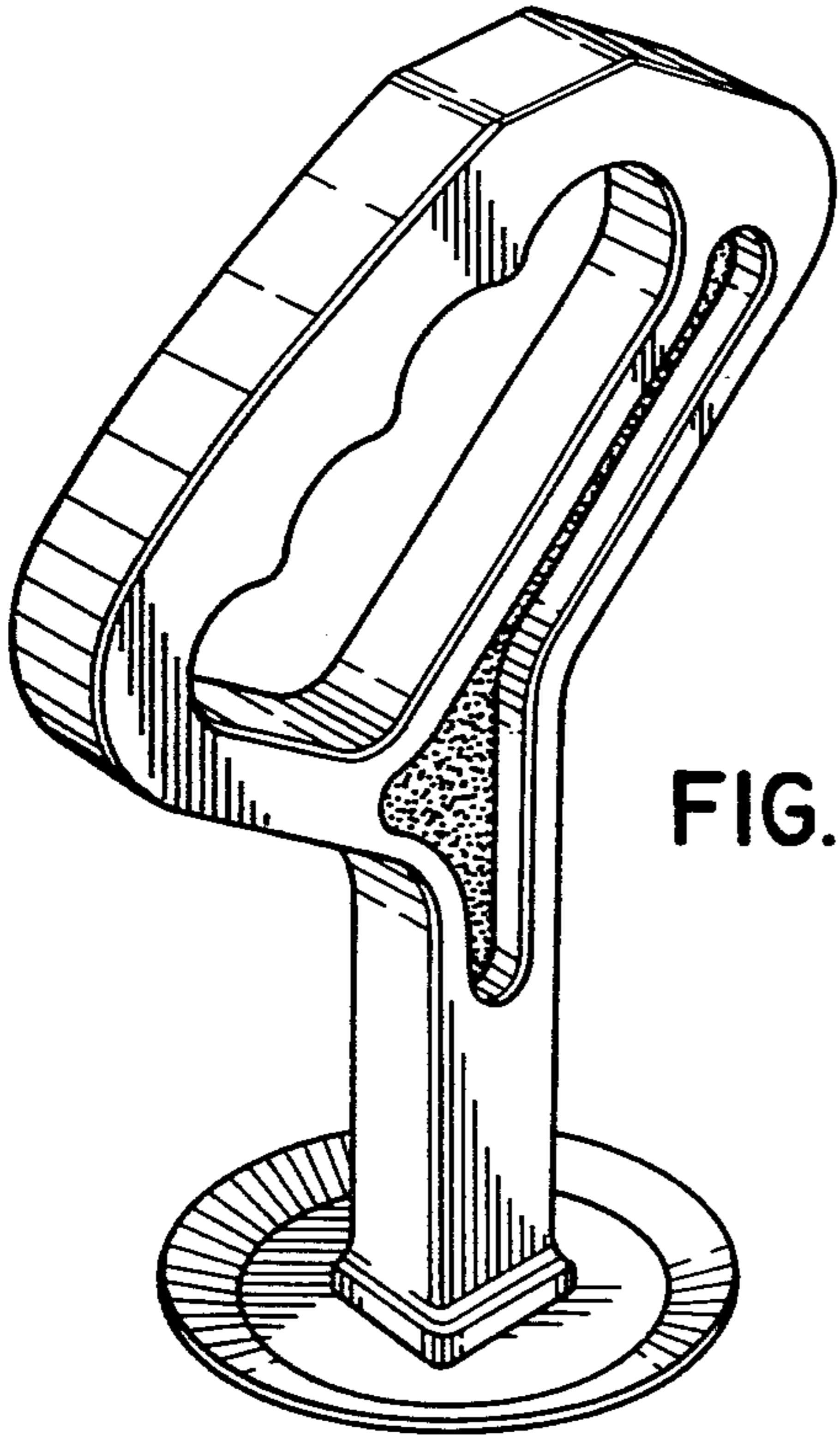


FIG. 1

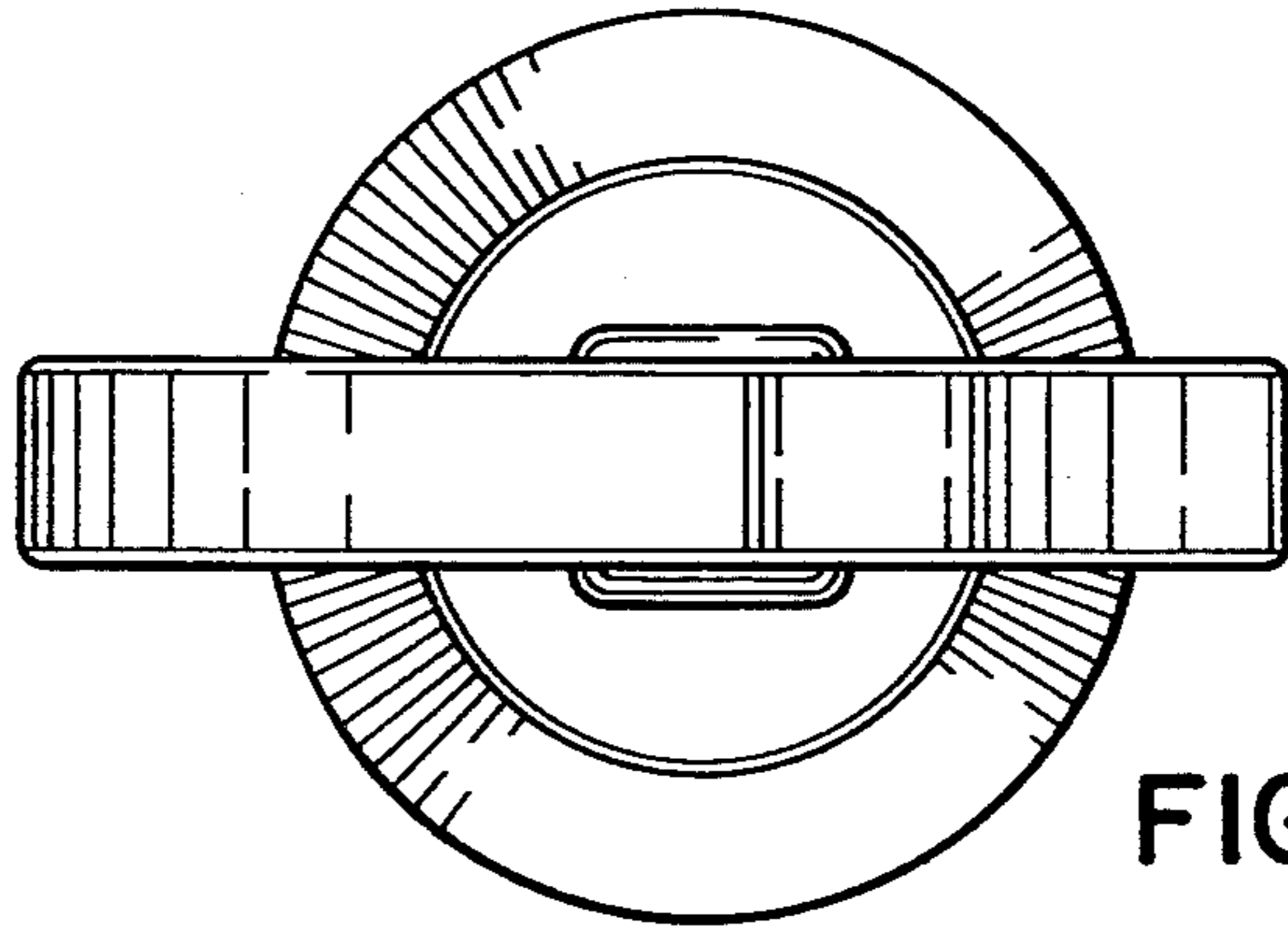


FIG. 2

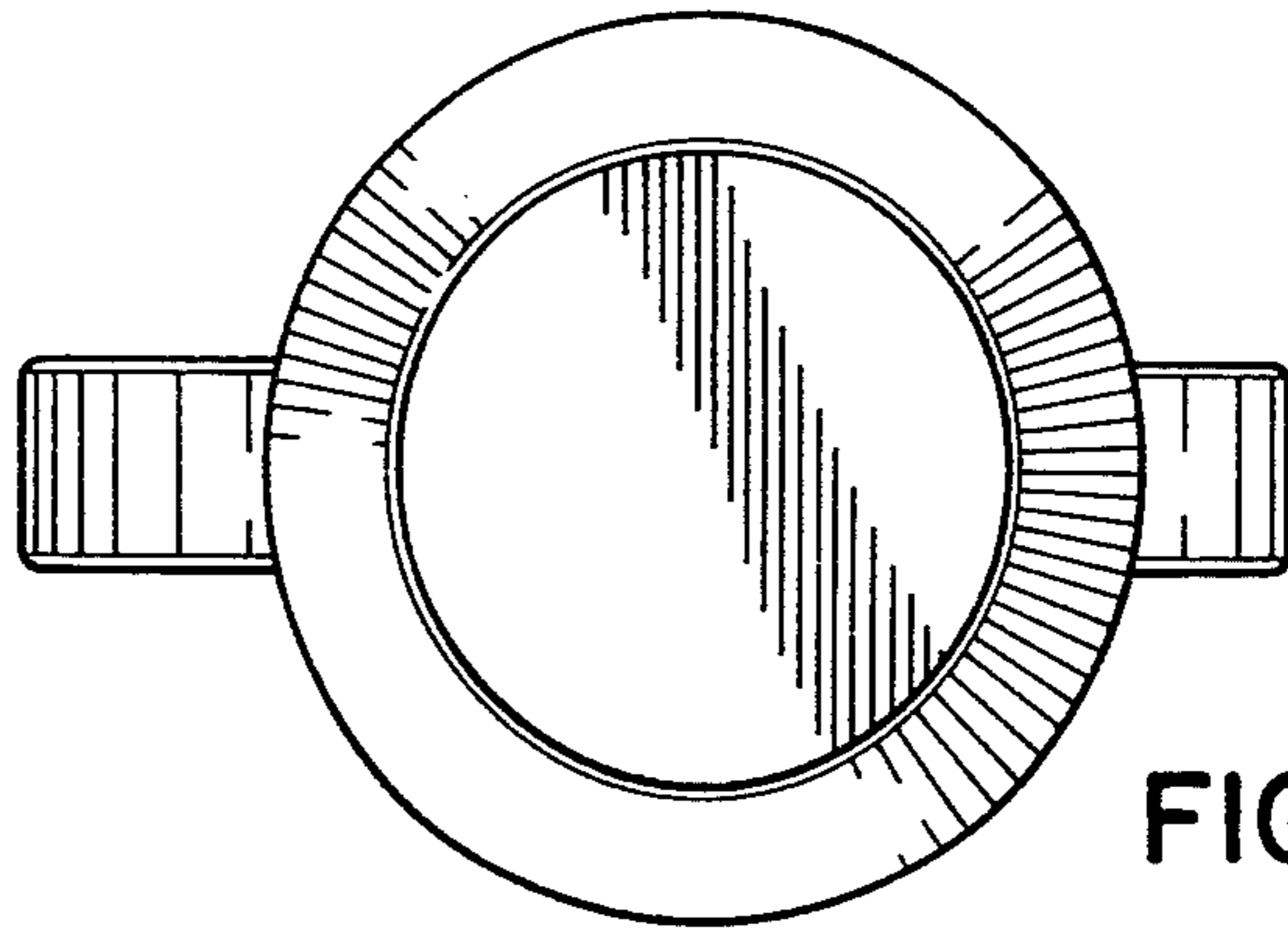


FIG. 3

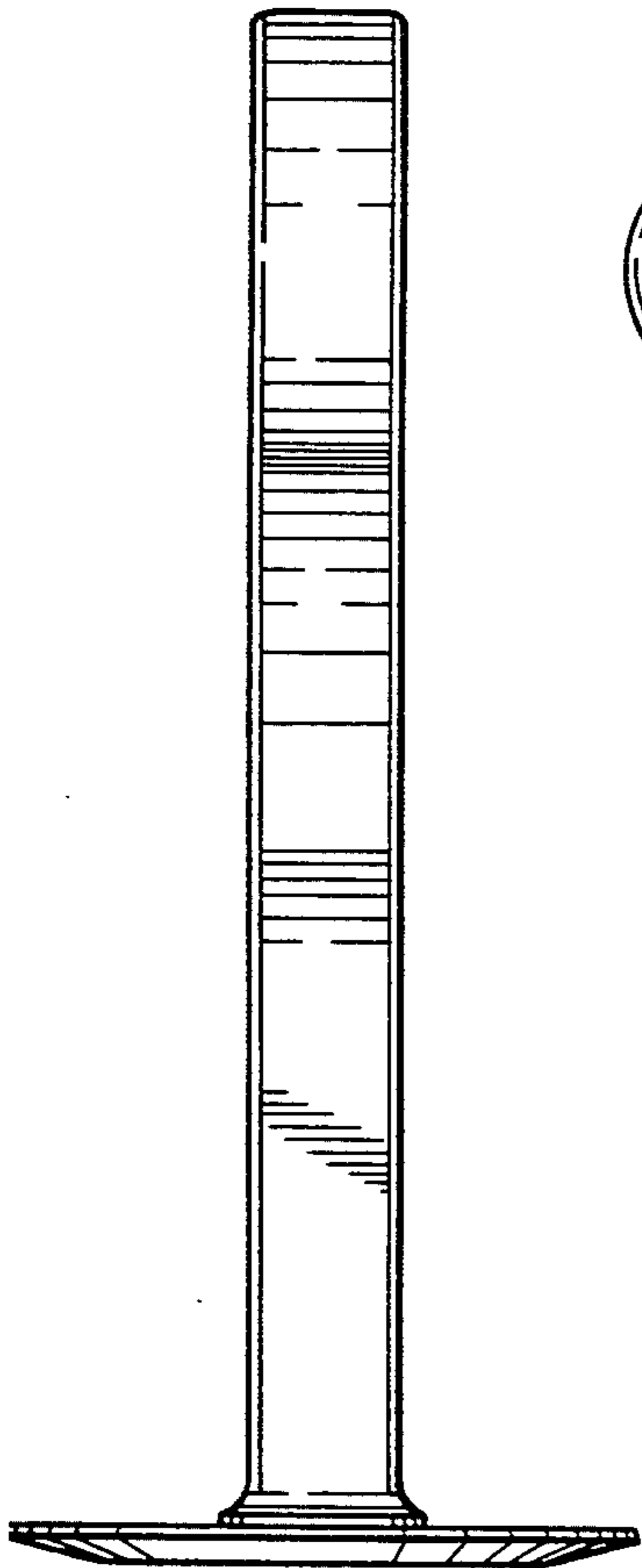


FIG. 4

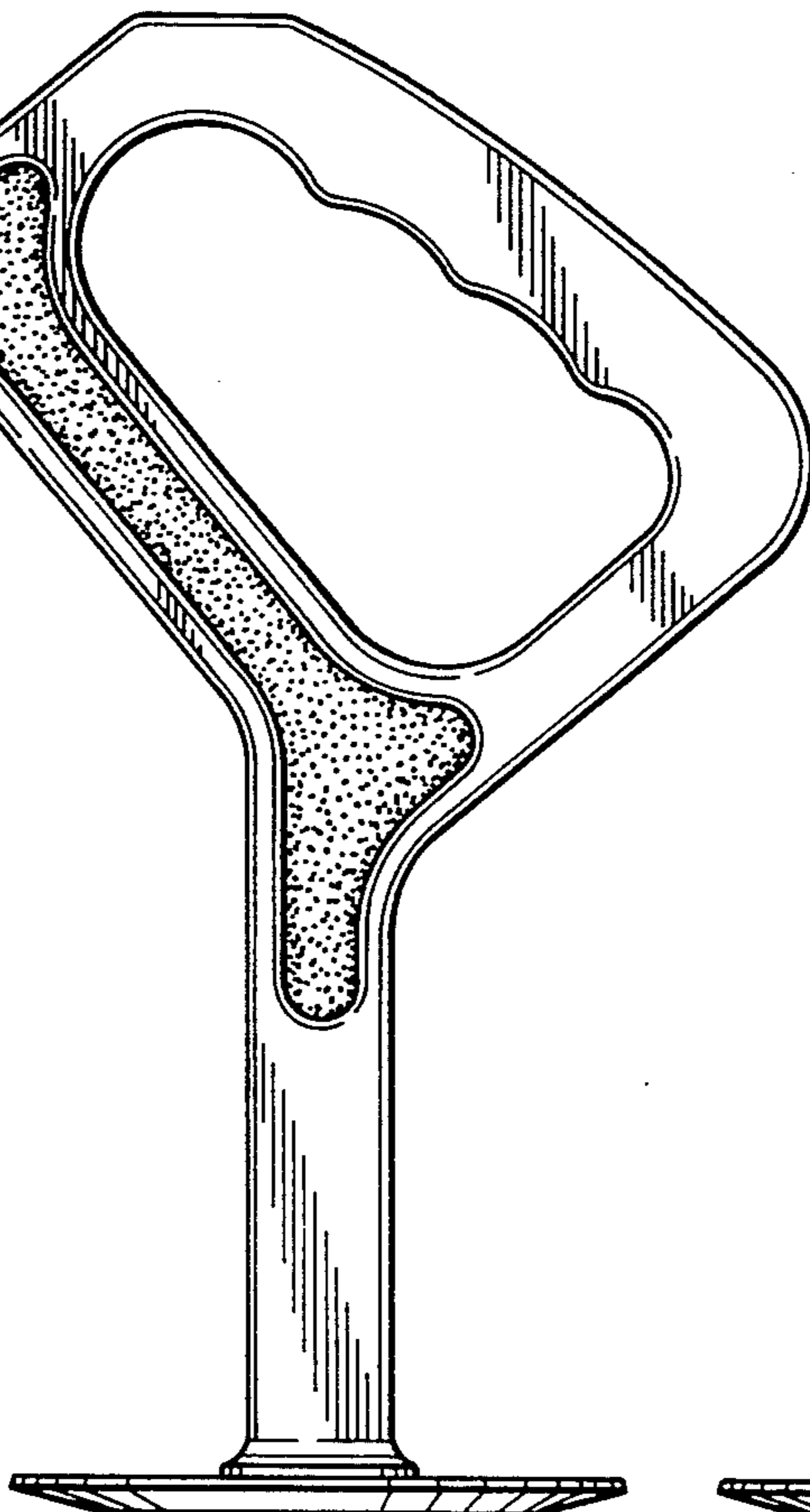


FIG. 5

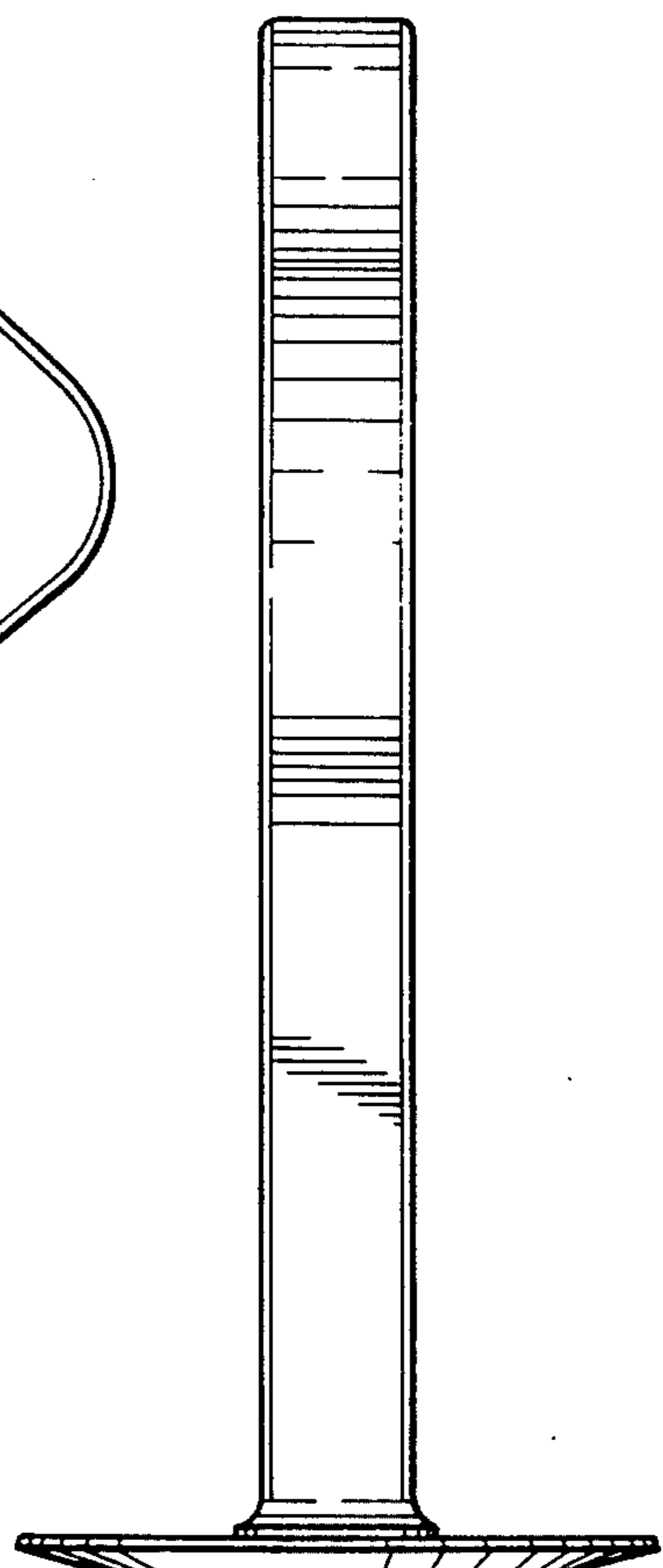


FIG. 6