

[54] DOUGH CUTTER OR THE LIKE

[75] Inventor: David J. Stricker, Salem, Mass.

[73] Assignee: Dart Industries Inc., Northbrook, Ill.

[\*\*] Term: 14 Years

[21] Appl. No.: 501,350

[22] Filed: Jun. 6, 1983

[52] U.S. Cl. .... D7/43

[58] Field of Search ..... D7/43; 30/301, 305, 30/316, 302; 426/502; 83/691; D15/90; 99/450.2

3,872,757 3/1975 Hargadon ..... 83/691  
4,362,497 12/1982 Lifshitz ..... 425/510  
4,382,768 5/1983 Lifshitz et al. .... 425/510

OTHER PUBLICATIONS

Fall 1981 Williams-Sonoma Catalog, p. 20, Ravioli Cutter, top of page.

Packaging for a Product Sold Under Trademark Raviolamp 24, date unknown.

Primary Examiner—Bernard Ansher

Assistant Examiner—Terry Pfeffer

Attorney, Agent, or Firm—John A. Doninger

[56] References Cited

U.S. PATENT DOCUMENTS

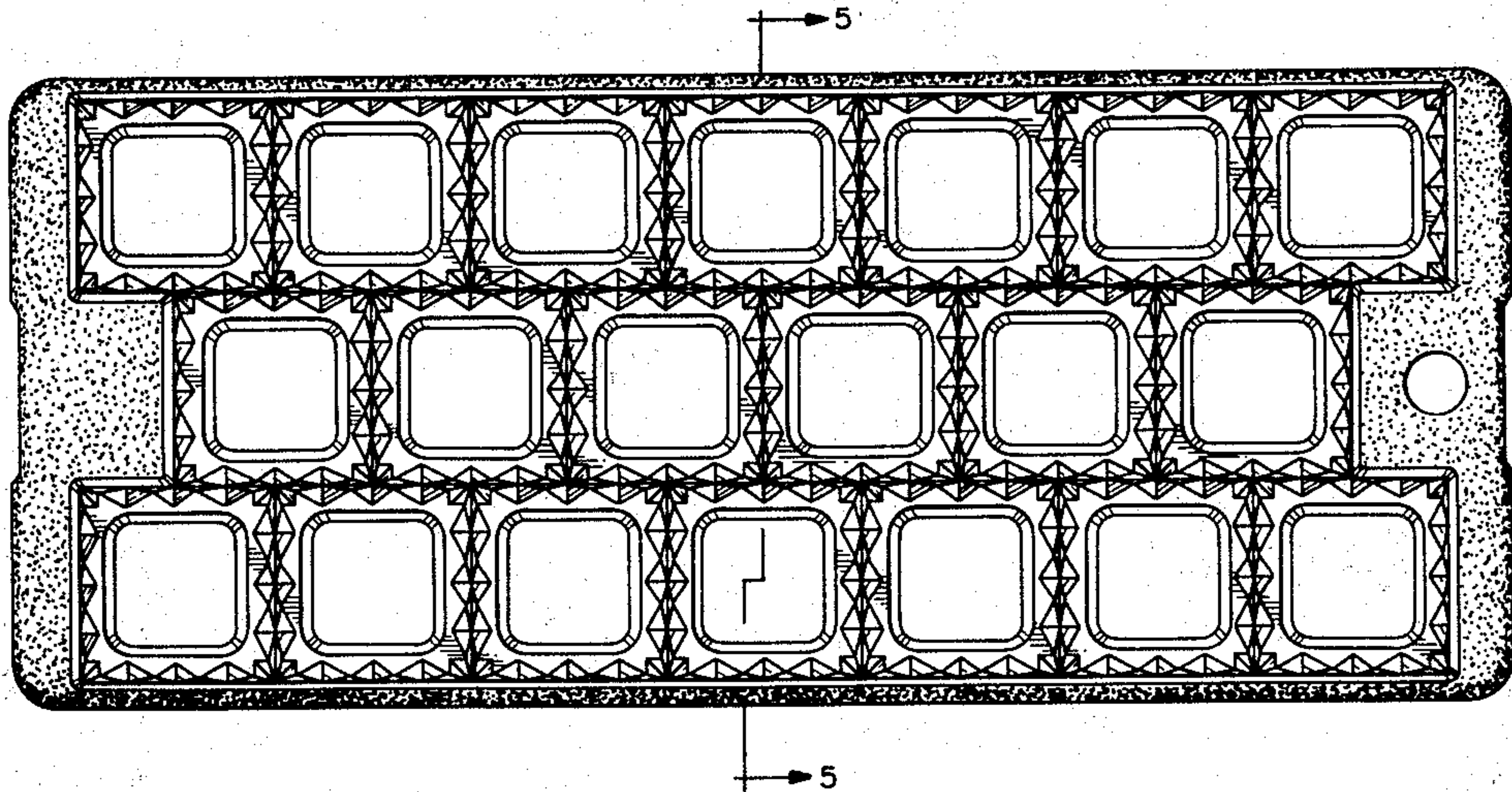
147,831	2/1874	Dingwall	.....	30/301
D. 214,280	5/1969	DePalmo	.....	D7/43
337,329	3/1886	Hewett	.	
1,098,552	6/1914	Bierer	.	
1,728,064	9/1929	Johnson	.	
2,163,580	6/1939	Bianchi	.....	99/450.2
2,386,993	10/1945	Valdastri, Sr.	.....	426/283
2,526,811	10/1950	Dawson	.....	83/109
2,692,630	10/1954	Doolin	.....	146/162
2,734,465	2/1956	Head	.....	426/502
3,026,822	3/1962	Gatti	.....	99/450.6
3,299,835	1/1967	Marsili	.....	99/450.2

[57] CLAIM

The ornamental design for a dough cutter or the like, substantially as is shown and described.

DESCRIPTION

FIG. 1 is a top plan view of the dough cutter or the like showing my new design;  
FIG. 2 is a right side elevational view thereof, the opposite side being a mirror image;  
FIG. 3 is a front elevational view thereof, the opposite side being a mirror image;  
FIG. 4 is a bottom plan view thereof; and  
FIG. 5 is a cross-sectional view taken along line 5—5 of FIG. 1.





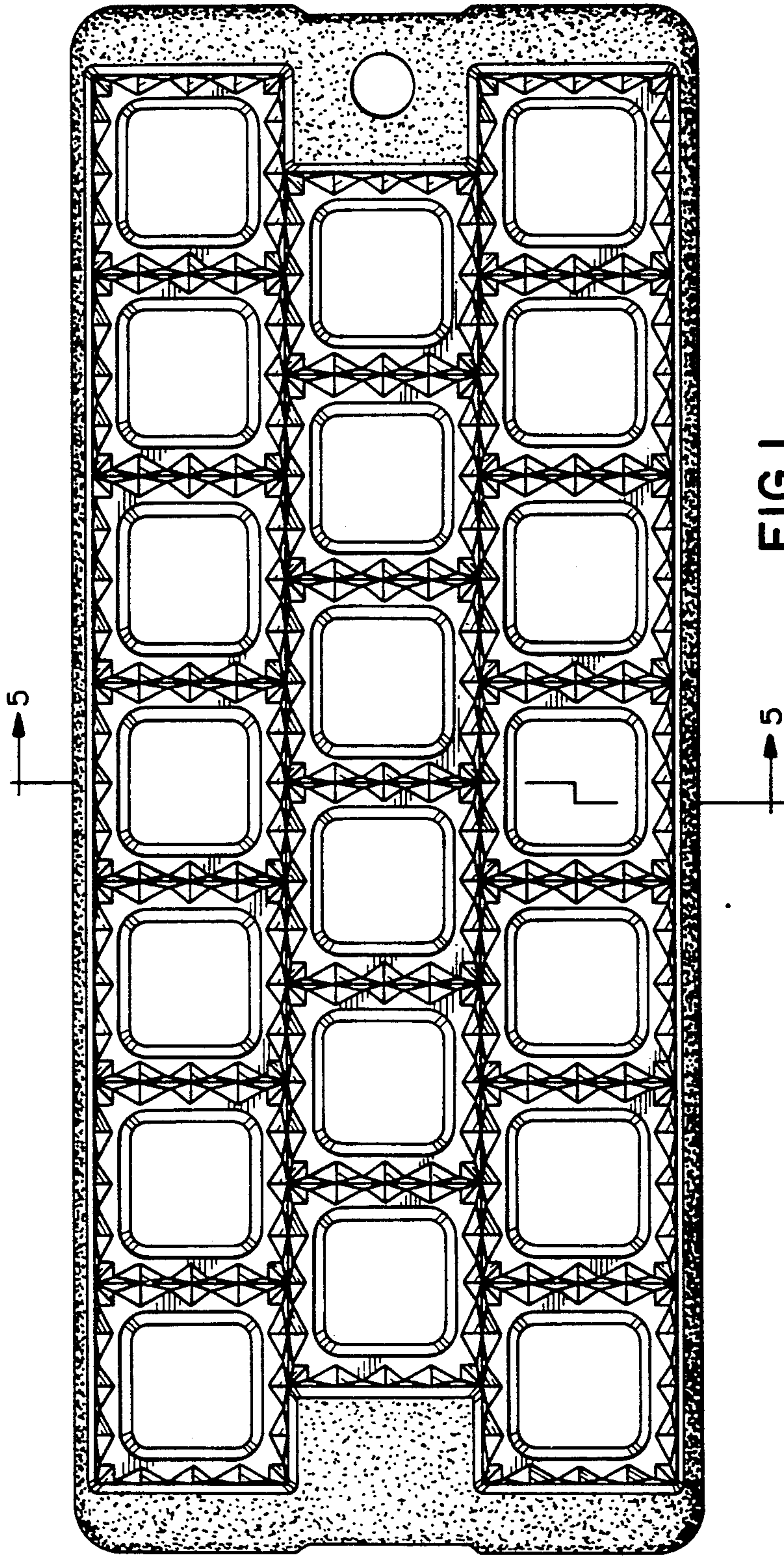


FIG. 1

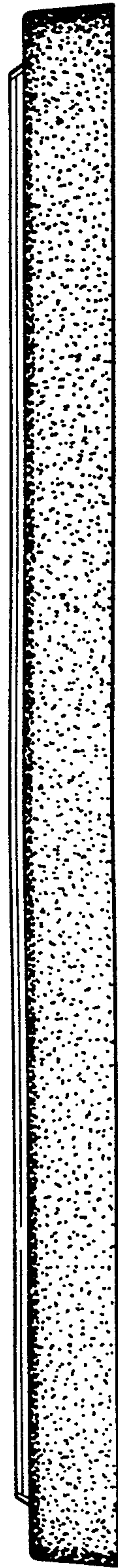


FIG. 2

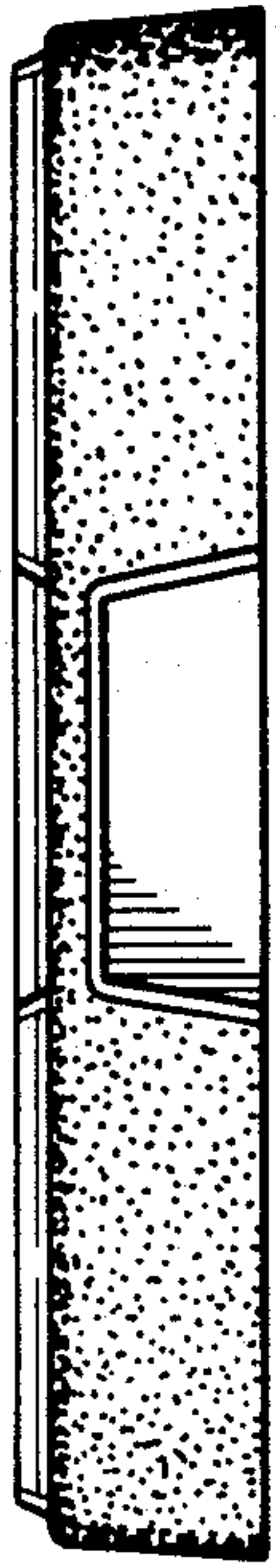


FIG. 3

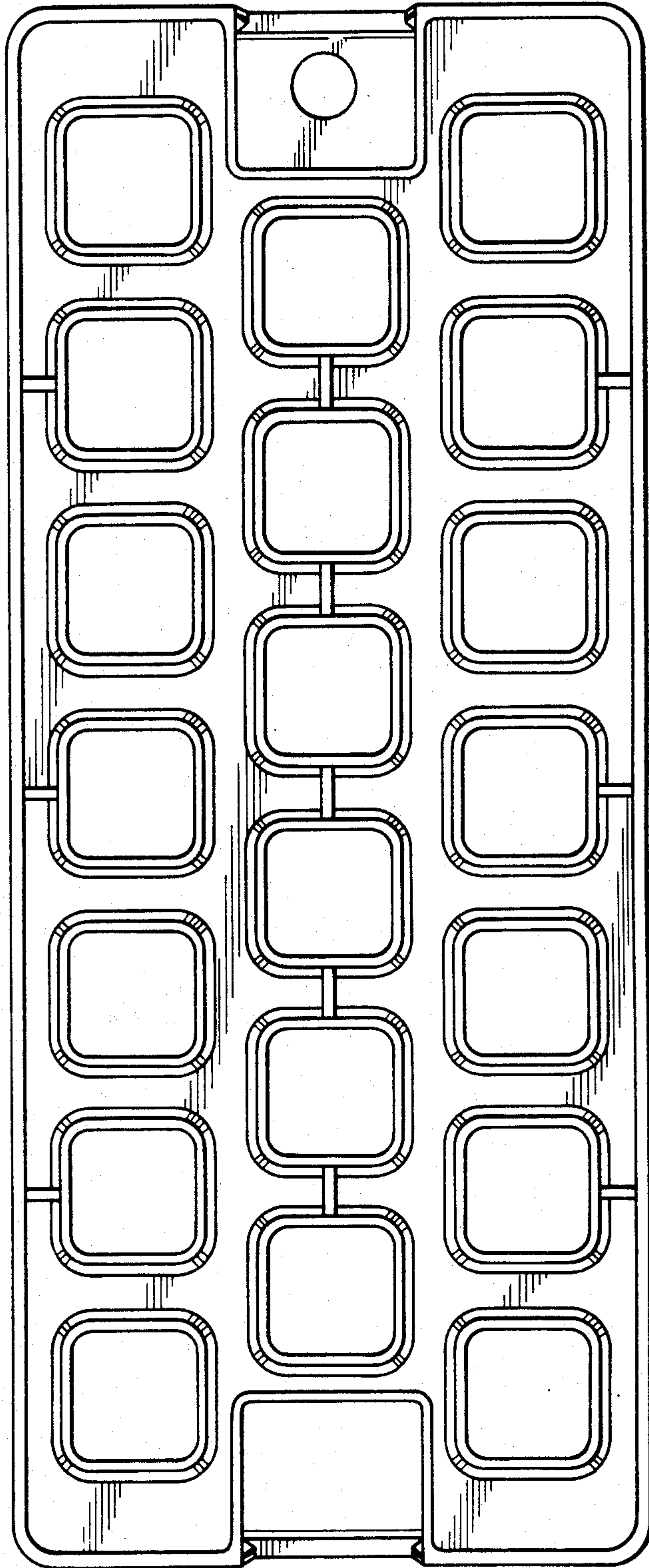


FIG. 4

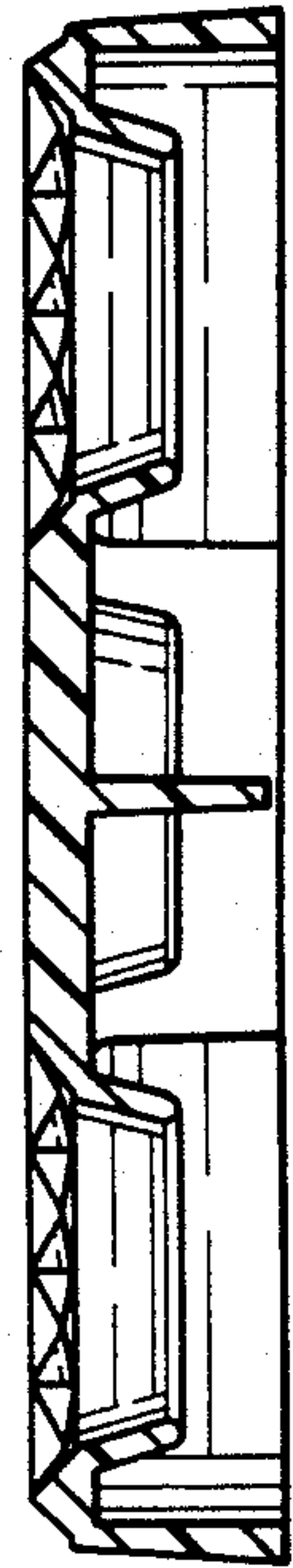


FIG. 5

**Disclaimer**

D. 282,431.—*David J. Stricker*, Salem Mass. DOUGH CUTTER OR THE LIKE. Patent dated Feb. 4, 1986. Disclaimer filed Aug. 8, 1988, by the assignee, *Dart Industries Inc.*

The term of this patent subsequent to Mar. 30, 1987, has been disclaimed.  
[*Official Gazette October 18, 1988.*]