

[54] CUP  
 [75] Inventor: Alfred Blake, Hillsdale, N.J.  
 [73] Assignee: American Commercial, Incorporated,  
 Secaucus, N.J.  
 [\*\*] Term: 14 Years  
 [21] Appl. No.: 535,345  
 [22] Filed: Sep. 23, 1983  
 [52] U.S. Cl. .... D7/9  
 [58] Field of Search ..... D7/10, 9, 8

D. 266,976 11/1982 Everhan ..... D7/9

FOREIGN PATENT DOCUMENTS

406979 2/1910 France ..... D7/9 X

Primary Examiner—Winifred E. Herrmann  
Attorney, Agent, or Firm—George J. Brandt, Jr.

[57] CLAIM

The ornamental design for a cup, as shown and described.

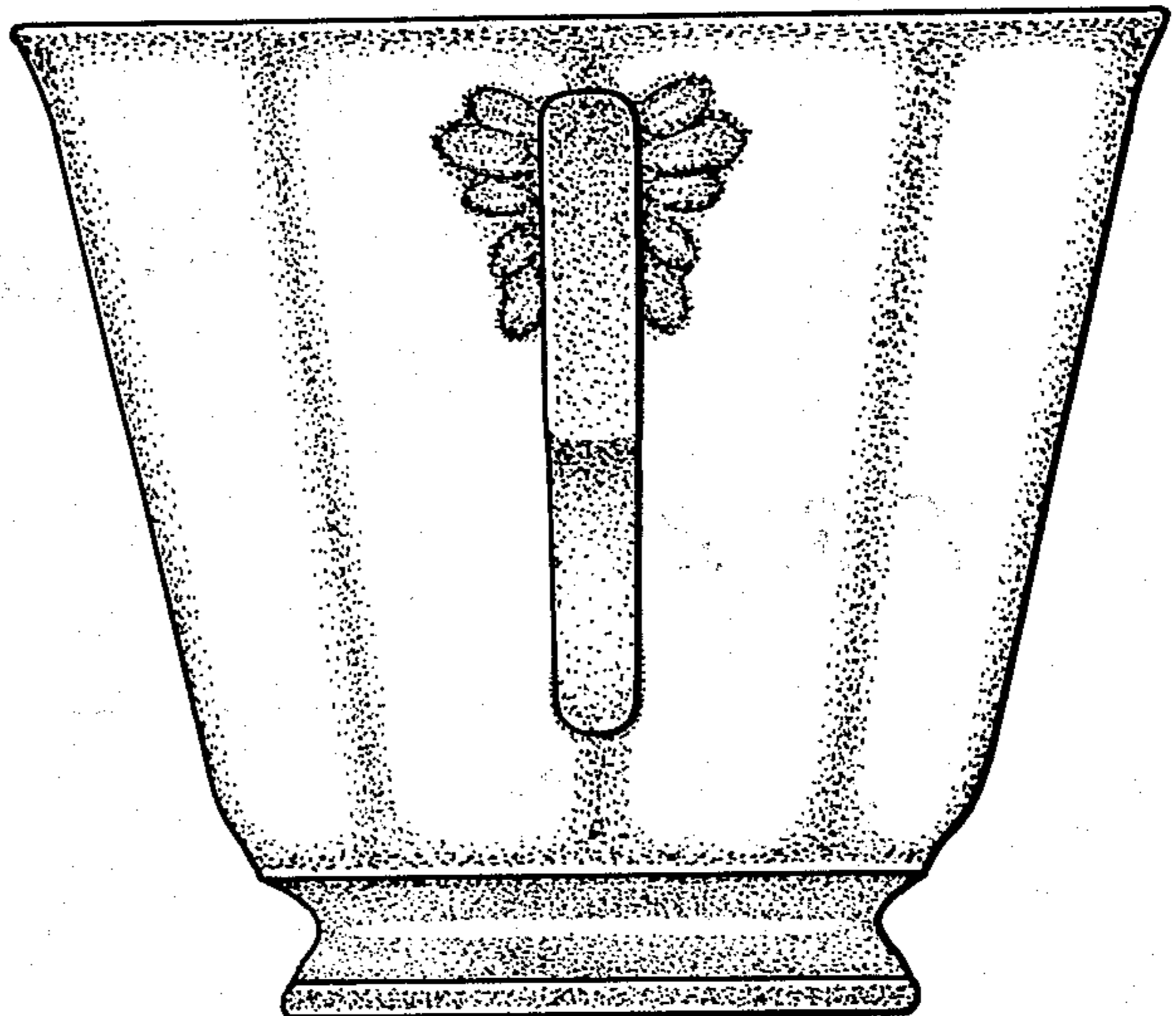
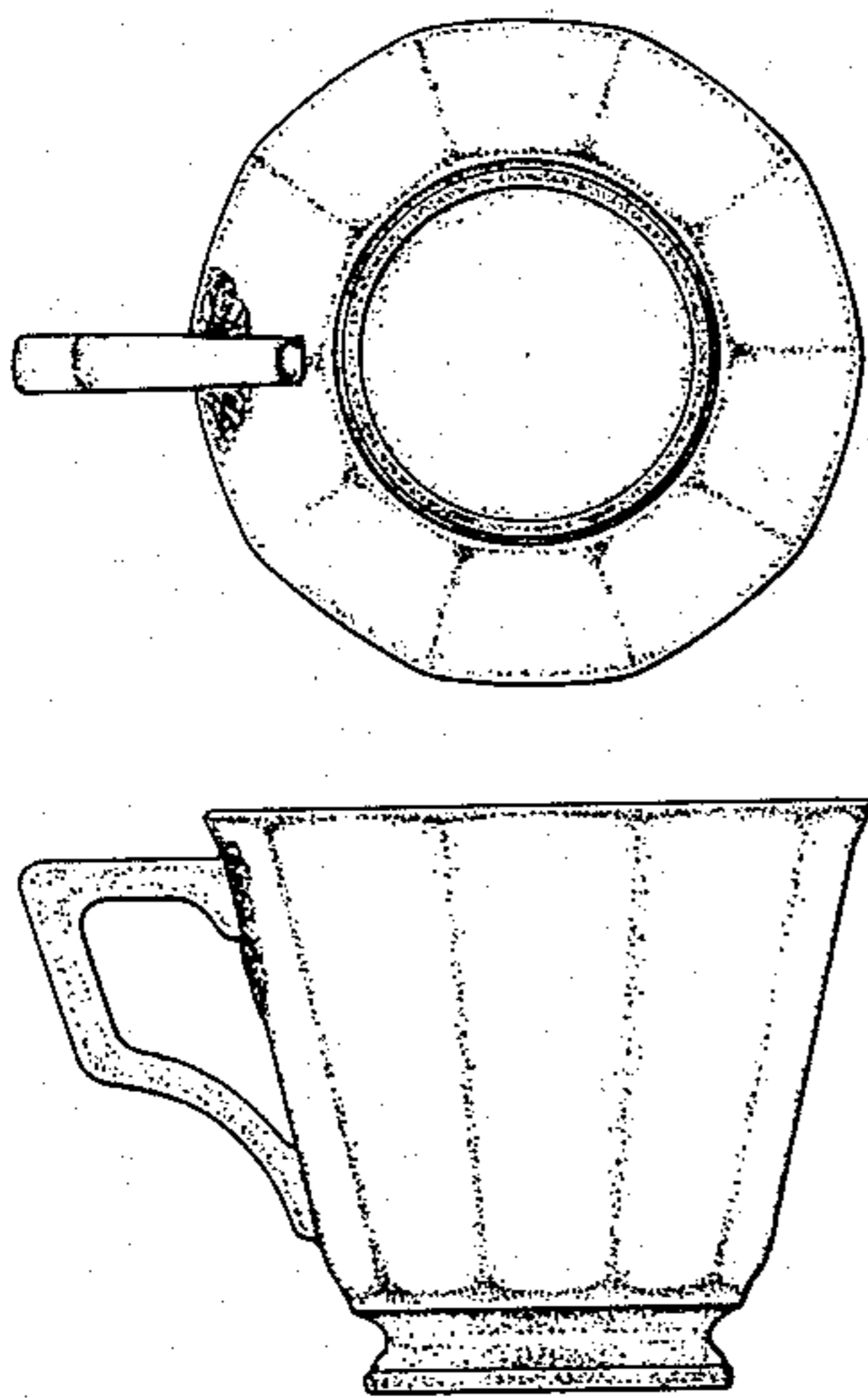
DESCRIPTION

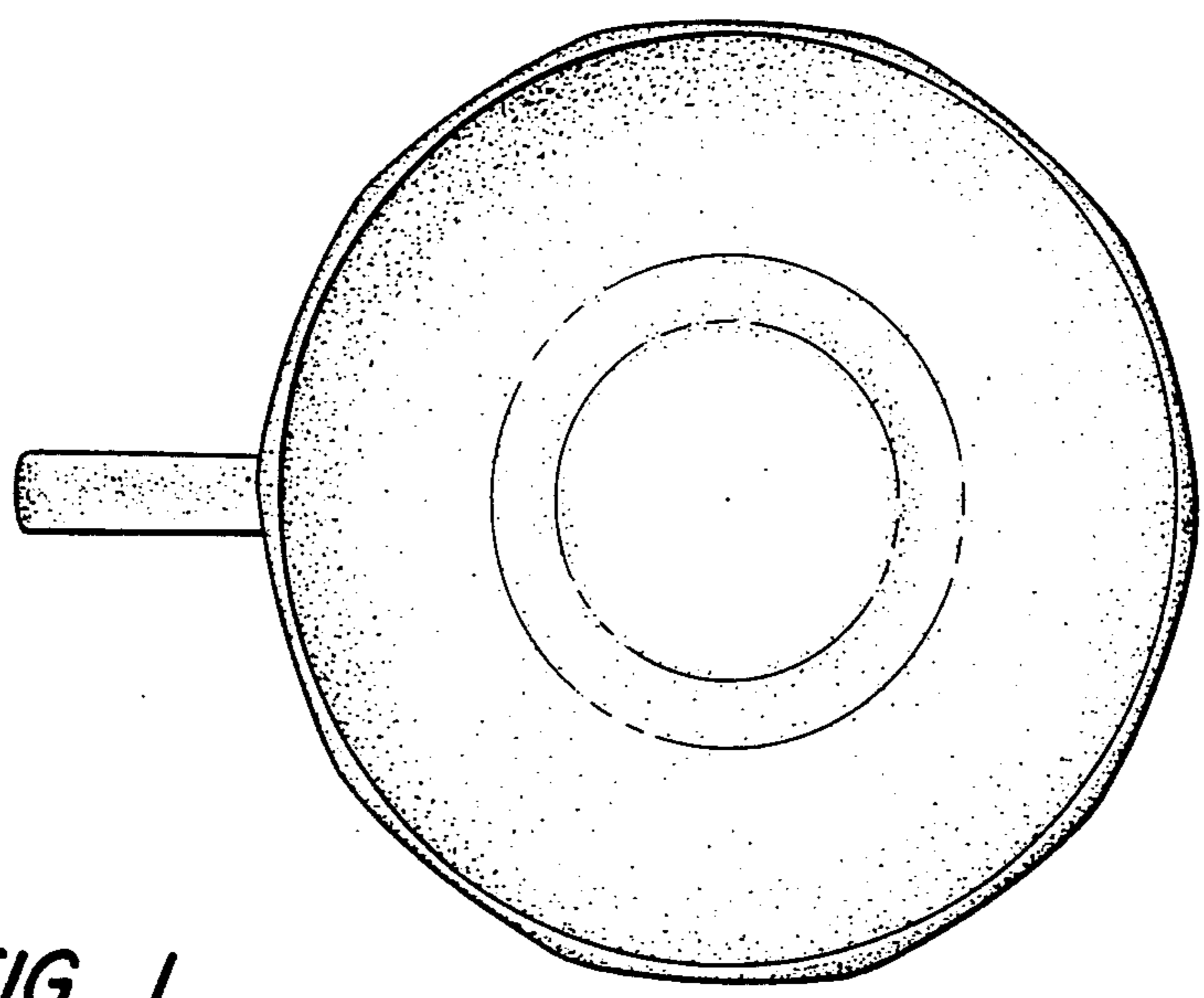
FIG. 1 is a top plan view of a cup showing my new design;  
 FIG. 2 is a bottom plan view thereof;  
 FIG. 3 is a right side elevational view of FIG. 1, the left side being substantially identical;  
 FIG. 4 is a front elevational view of FIG. 1; and  
 FIG. 5 is a rear elevational view thereof.

References Cited

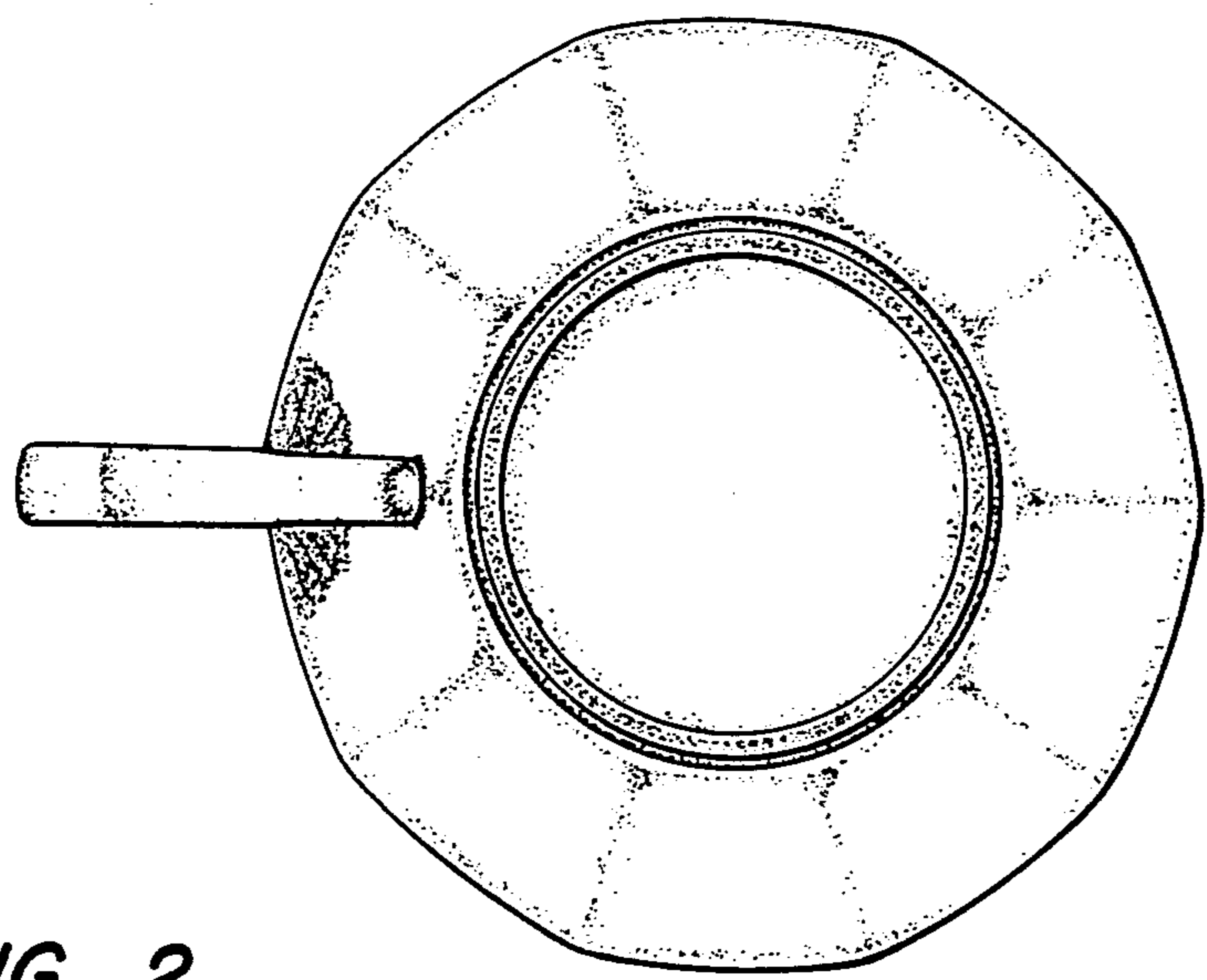
U.S. PATENT DOCUMENTS

D. 69,072 12/1925 Goodwin ..... D7/9  
 D. 72,248 3/1927 Walker ..... D7/9  
 D. 78,256 4/1929 Bergner ..... D7/9  
 D. 179,463 12/1956 Taggart ..... D7/9

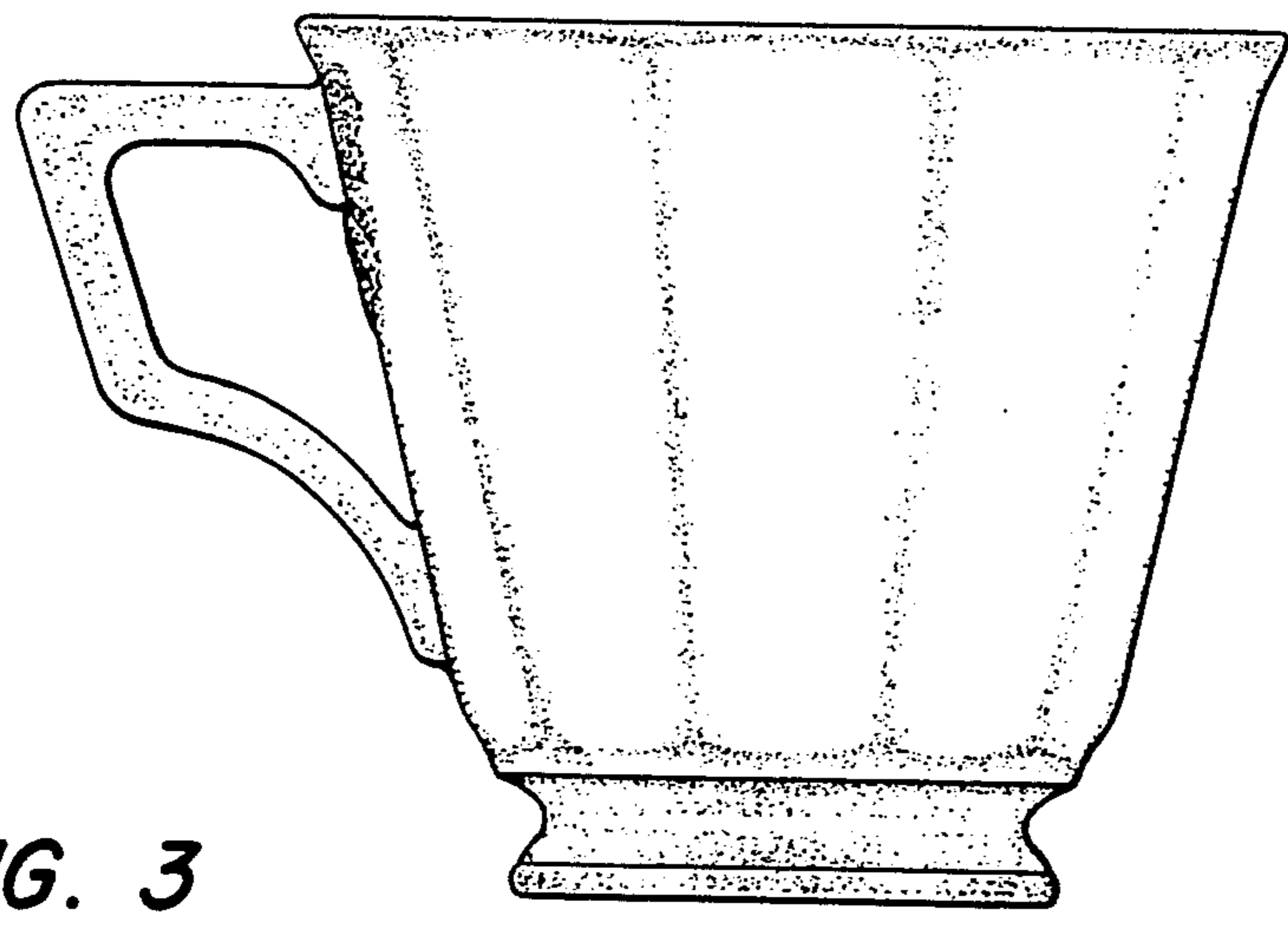




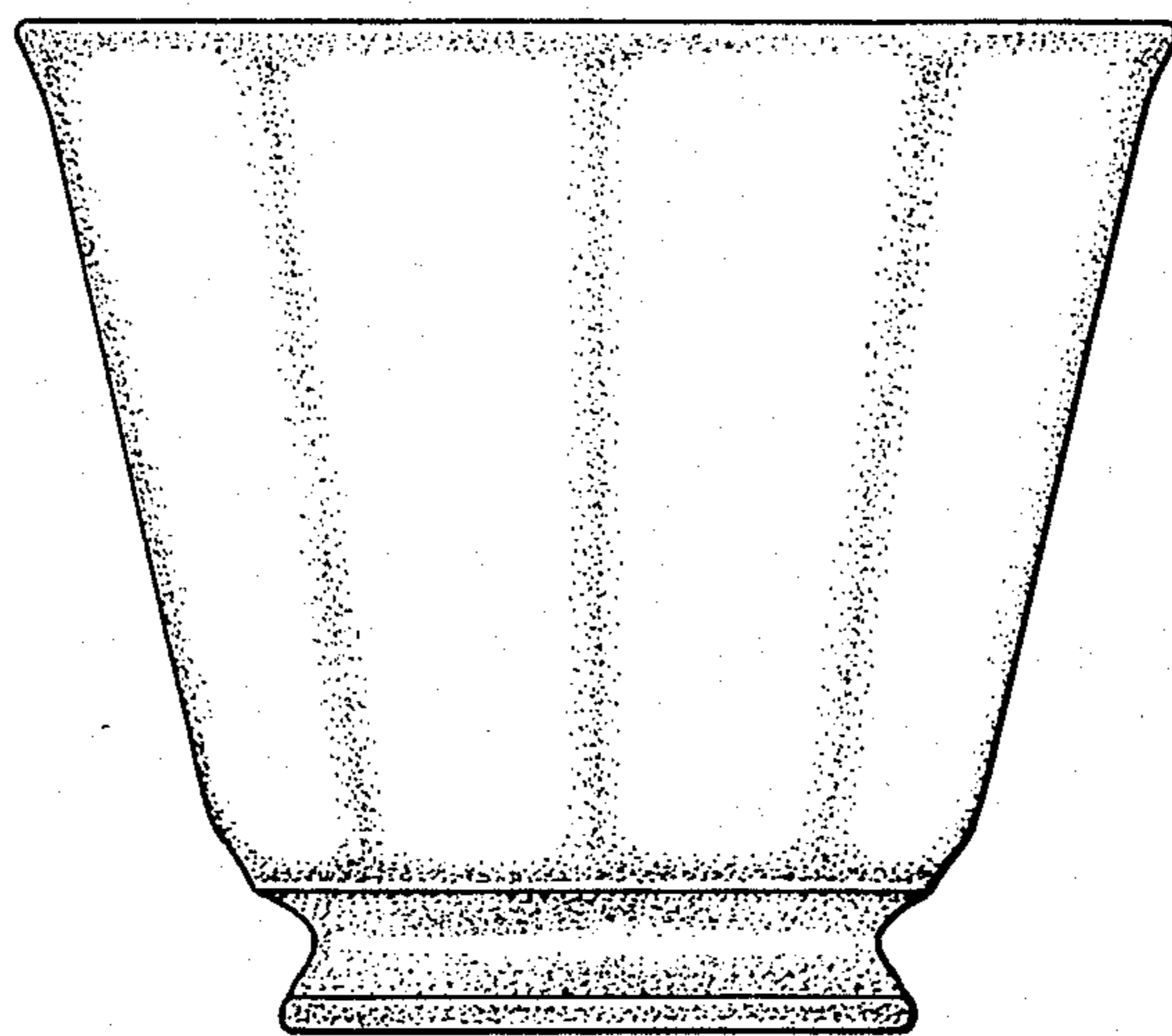
*FIG. 1*



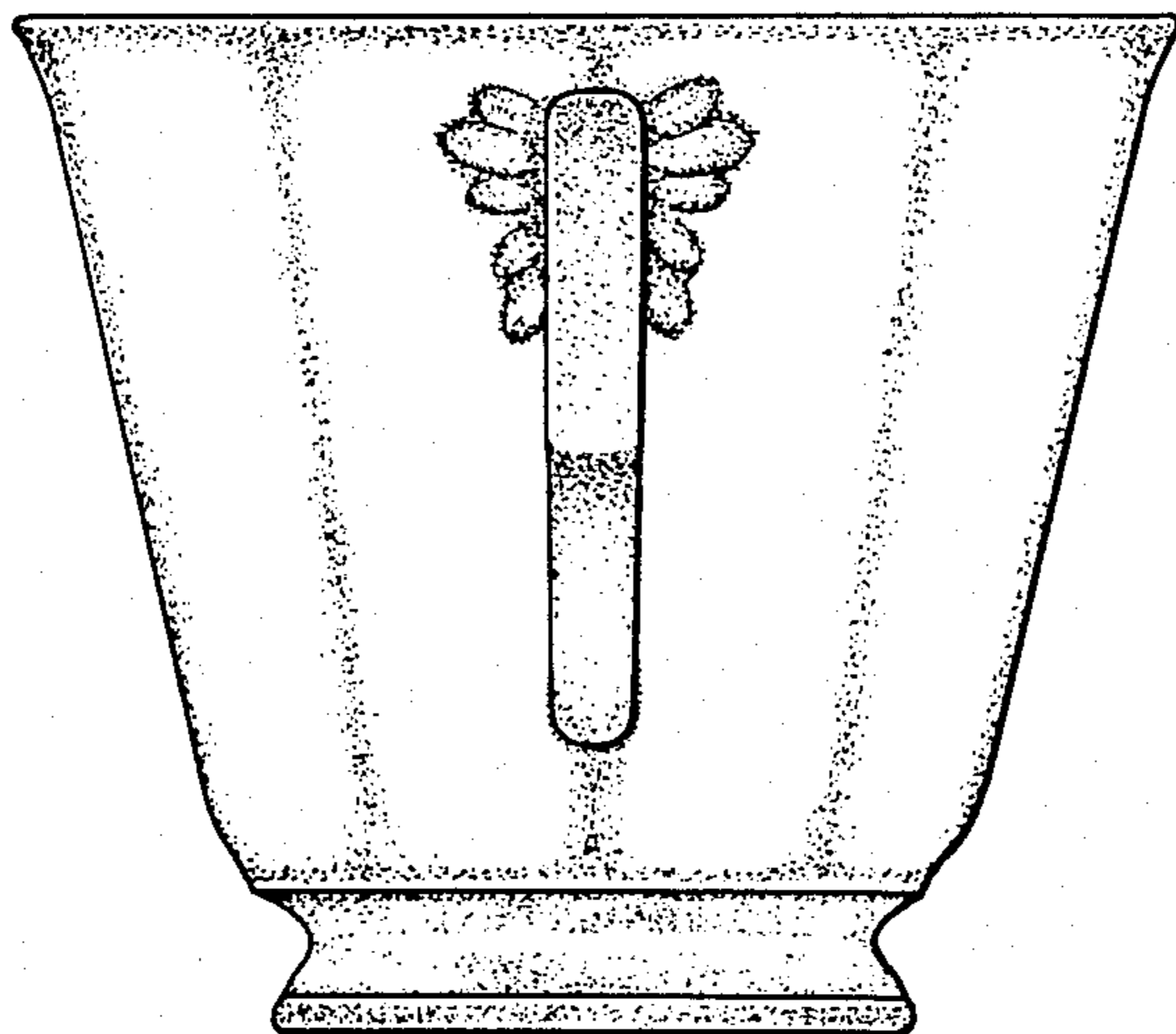
*FIG. 2*



*FIG. 3*



*FIG. 4*



*FIG. 5*