

[54] **CORNER CONNECTOR FOR MODULAR FURNITURE**

[75] **Inventor: Timothy A. Hager, Grand Rapids, Mich.**

[73] **Assignee: Hagerwood, Inc., Grand Rapids, Mich.**

[**] **Term: 14 Years**

[21] **Appl. No.: 412,721**

[22] **Filed: Aug. 30, 1982**

[52] **U.S. Cl. D6/491**

[58] **Field of Search D6/181, 186, 191, 491**

[56] **References Cited**

U.S. PATENT DOCUMENTS

D. 261,965 11/1981 Naor D6/161

OTHER PUBLICATIONS

Interiors, Jul. 1978, p. 37, Desk by Kimball.

Metal Mouldings Catalog, No. 3-48, p. 10, Outside Corner Moulding No. AL-200-OC.

Primary Examiner—Bruce W. Dunkins
Attorney, Agent, or Firm—Varnum, Riddering, Schmidt & Howlett

[57] **CLAIM**

The ornamental design for a corner connector for modular furniture, substantially as shown and described.

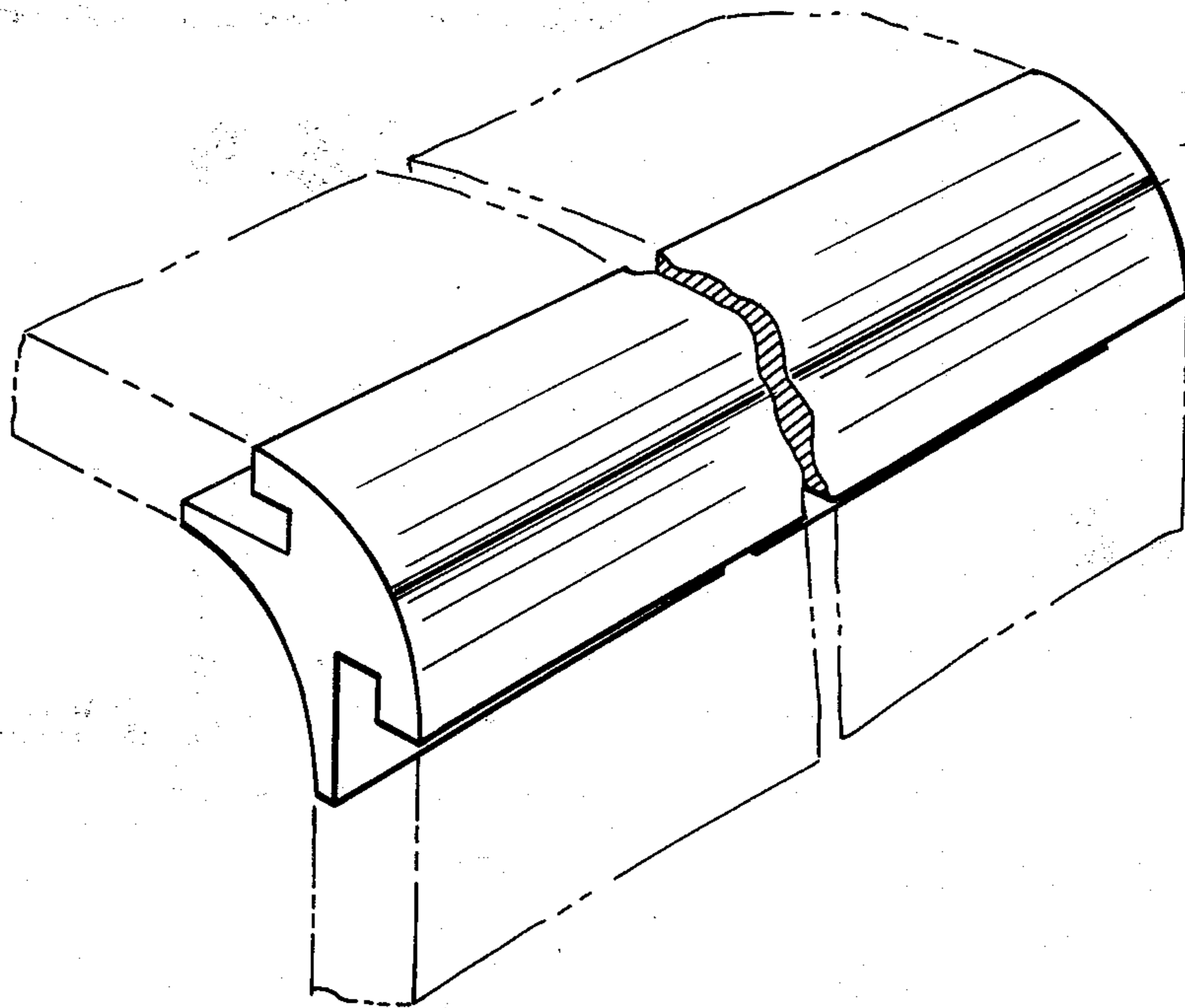
DESCRIPTION

FIG. 1 is a perspective view of a corner connector for modular furniture showing my design wherein portions of the center are broken away to indicate indeterminate length;

FIG. 2 is an end elevational view, the opposite end being a mirror image thereof;

FIG. 3 is a fragmentary view showing the outer surface of the connector in side elevation; and

FIG. 4 is a fragmentary view showing the inner surface of the connector in side elevation.



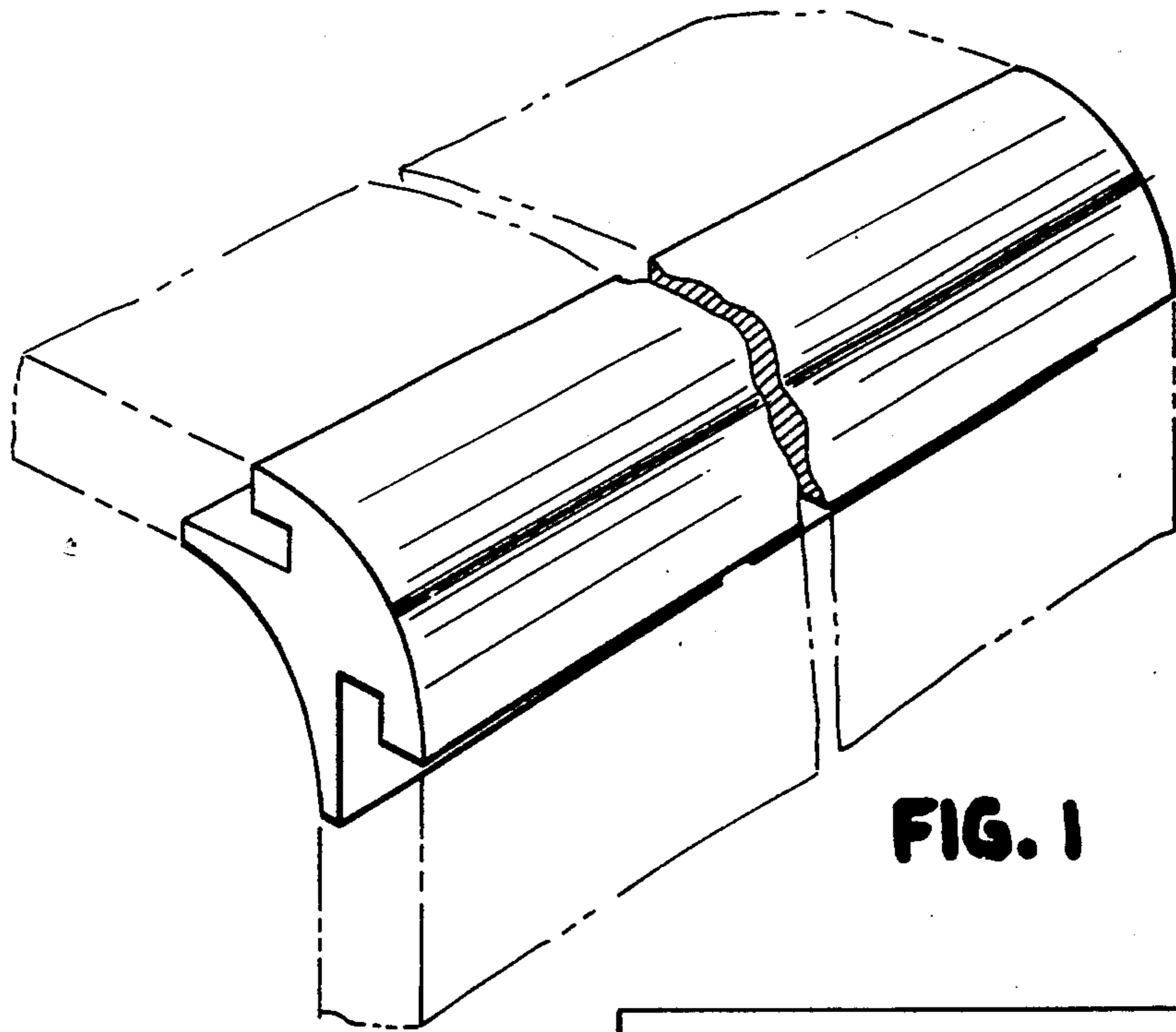


FIG. 1

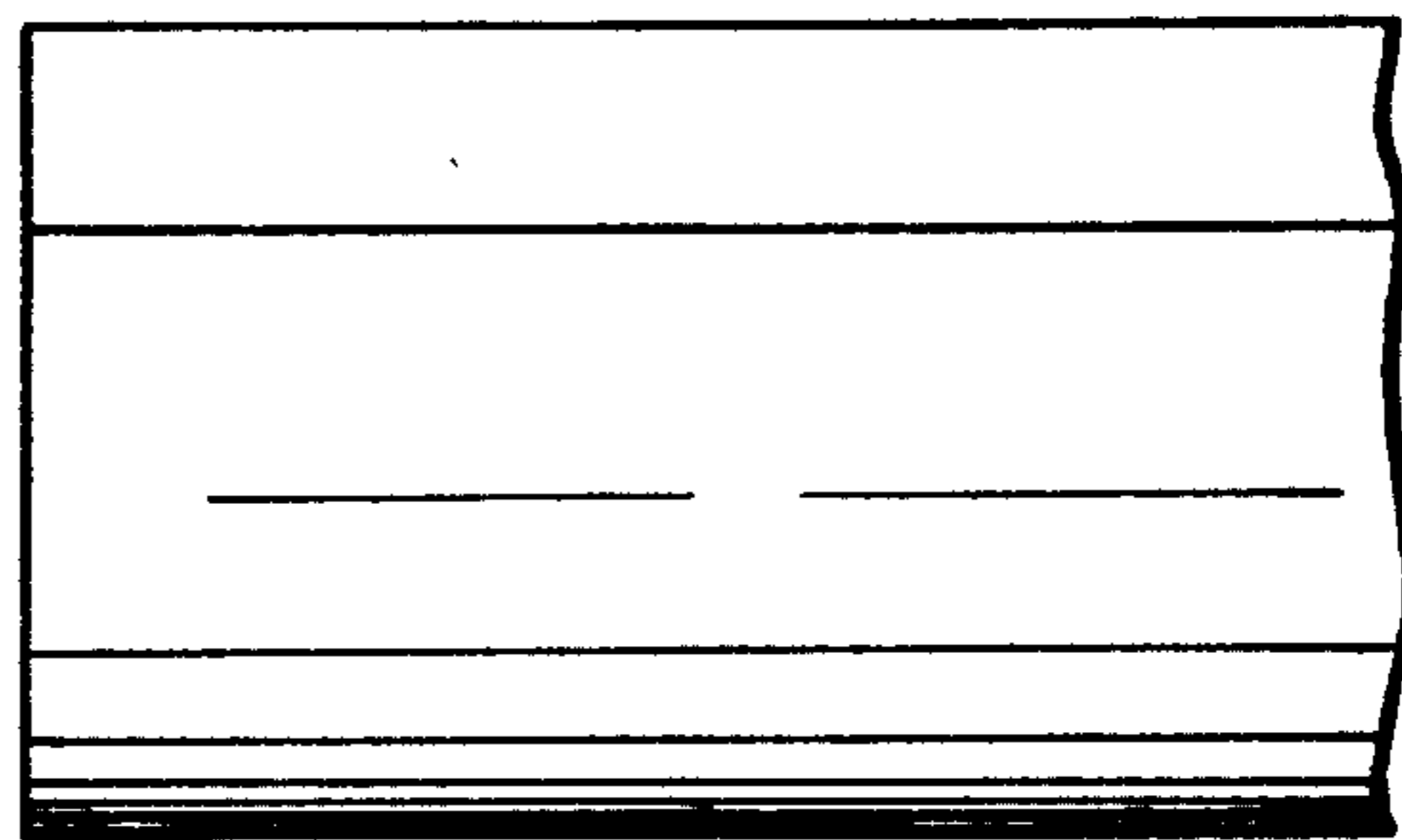


FIG. 3

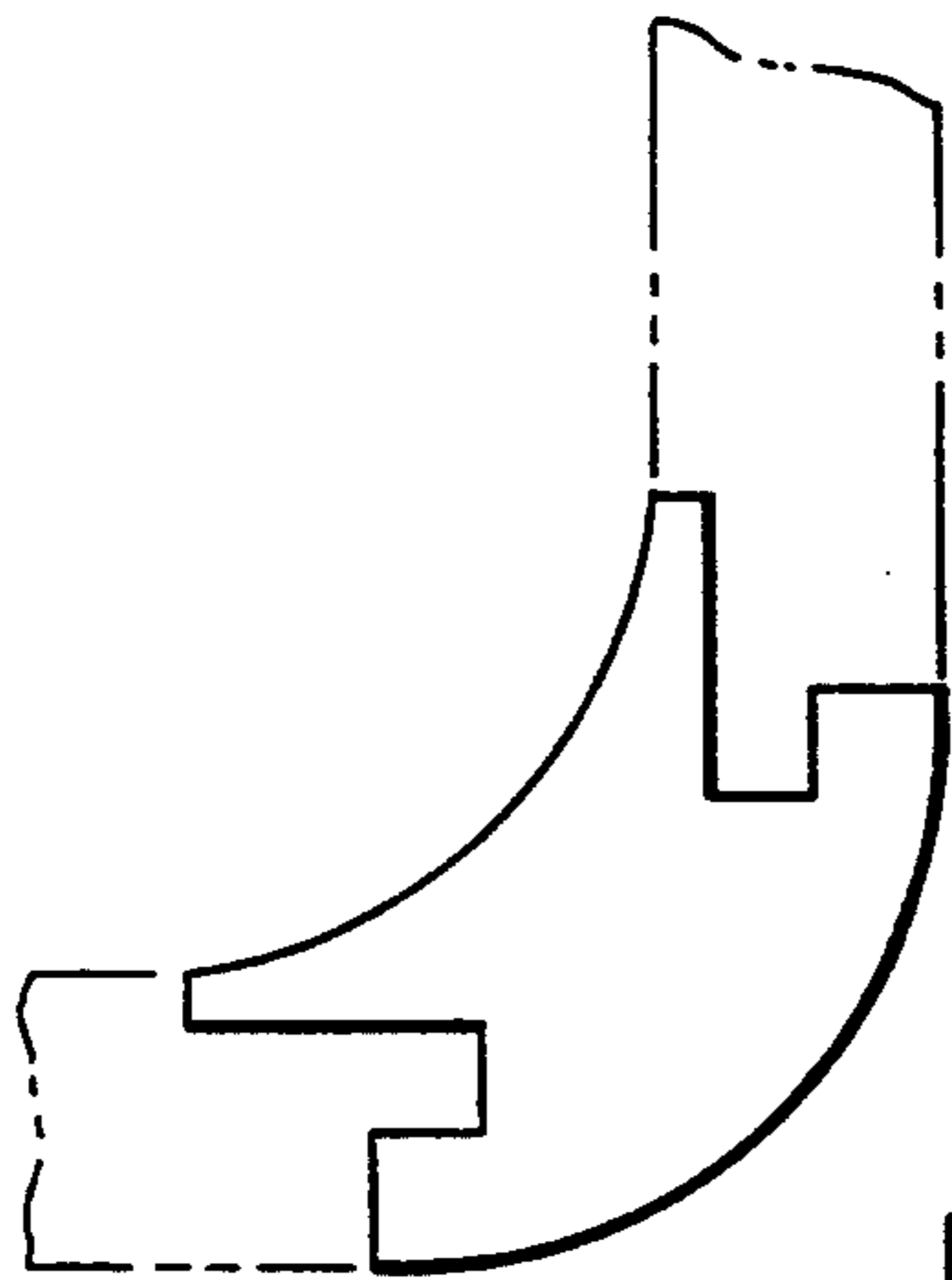


FIG. 2

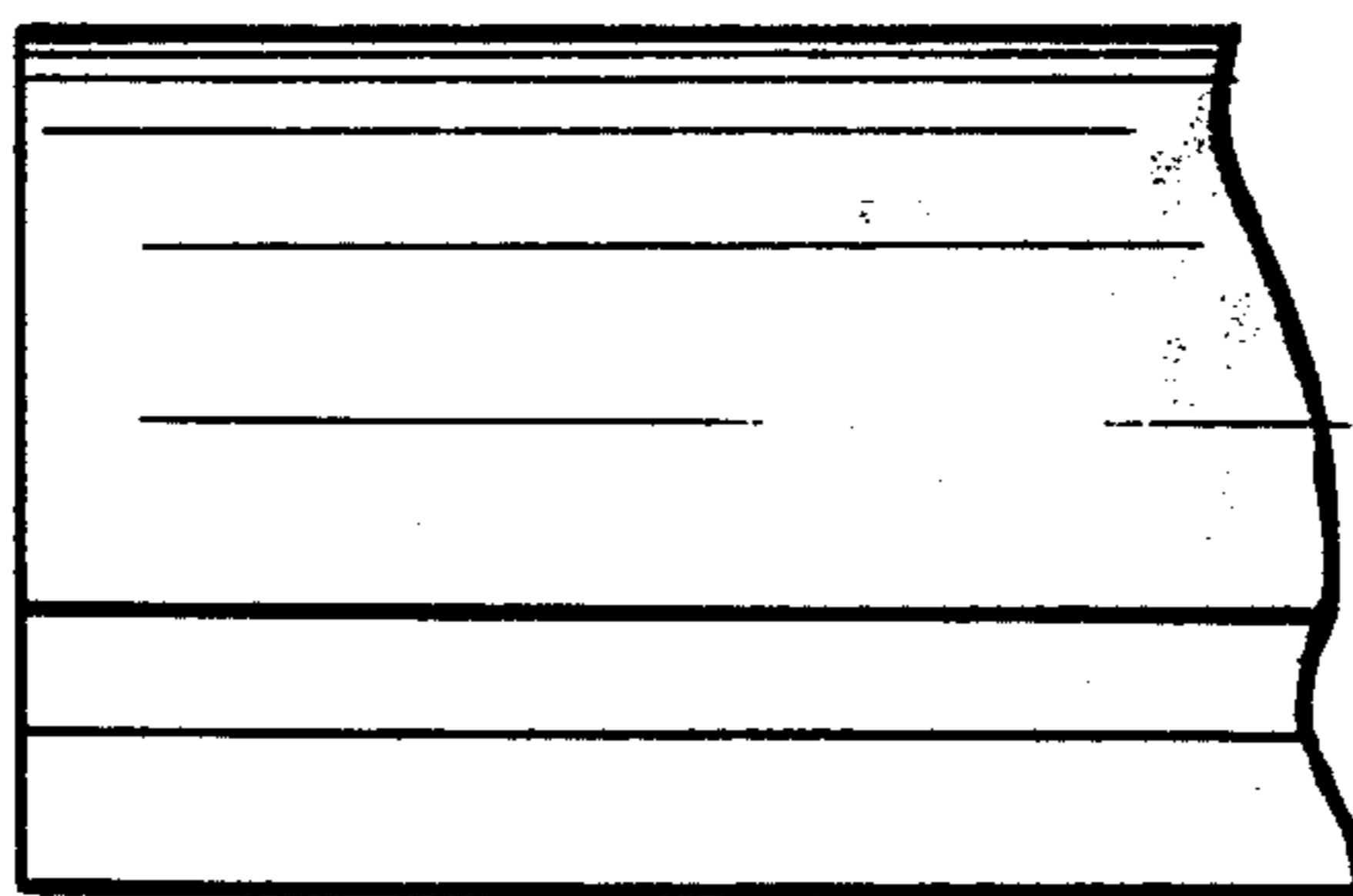


FIG. 4