

[54] **DESK**

[75] Inventor: **Tristan G. Melland, Sandown, South Africa**

[73] Assignee: **Anglo Dutch (Proprietary) Limited, Johannesburg, South Africa**

[**] Term: **14 Years**

[21] Appl. No.: **444,343**

[22] Filed: **Nov. 23, 1982**

[30] **Foreign Application Priority Data**

Oct. 1, 1982 [ZA] South Africa 82/0921

[52] U.S. Cl. **D6/422; D6/449; D6/483; D6/484**

[58] Field of Search **D6/146-149, D6/177-179, 161, 162; D6/422, 449, 483, 484**

[56] **References Cited**

U.S. PATENT DOCUMENTS

D. 142,470 10/1945 Cornish D6/149

D. 149,416 4/1948 Jones D6/149

D. 252,431 7/1979 Pfister D6/177

D. 263,524 3/1982 Hanson D6/177 X

Primary Examiner—Bruce W. Dunkins
Attorney, Agent, or Firm—Scully, Scott, Murphy & Presser

[57] **CLAIM**

The ornamental design for a desk, as shown and described.

DESCRIPTION

FIG. 1 is a top plan view of a desk showing my new and ornamental design;

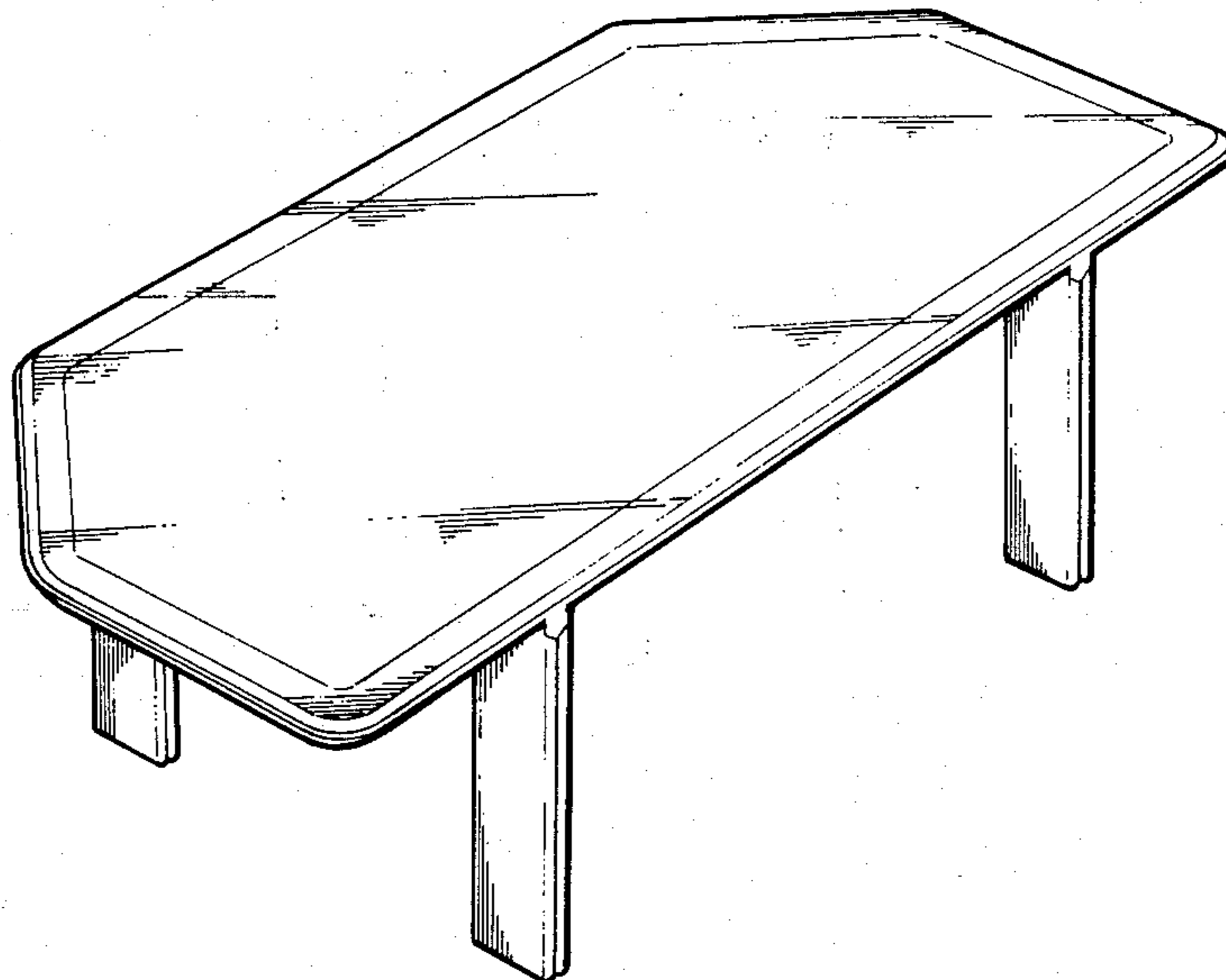
FIG. 2 is a front elevational view thereof;

FIG. 3 is a left side view, the right side being a mirror-image thereof;

FIG. 4 is a perspective view thereof;

FIG. 5 is a rear elevational view;

FIG. 6 is a bottom view of the ornamental desk.



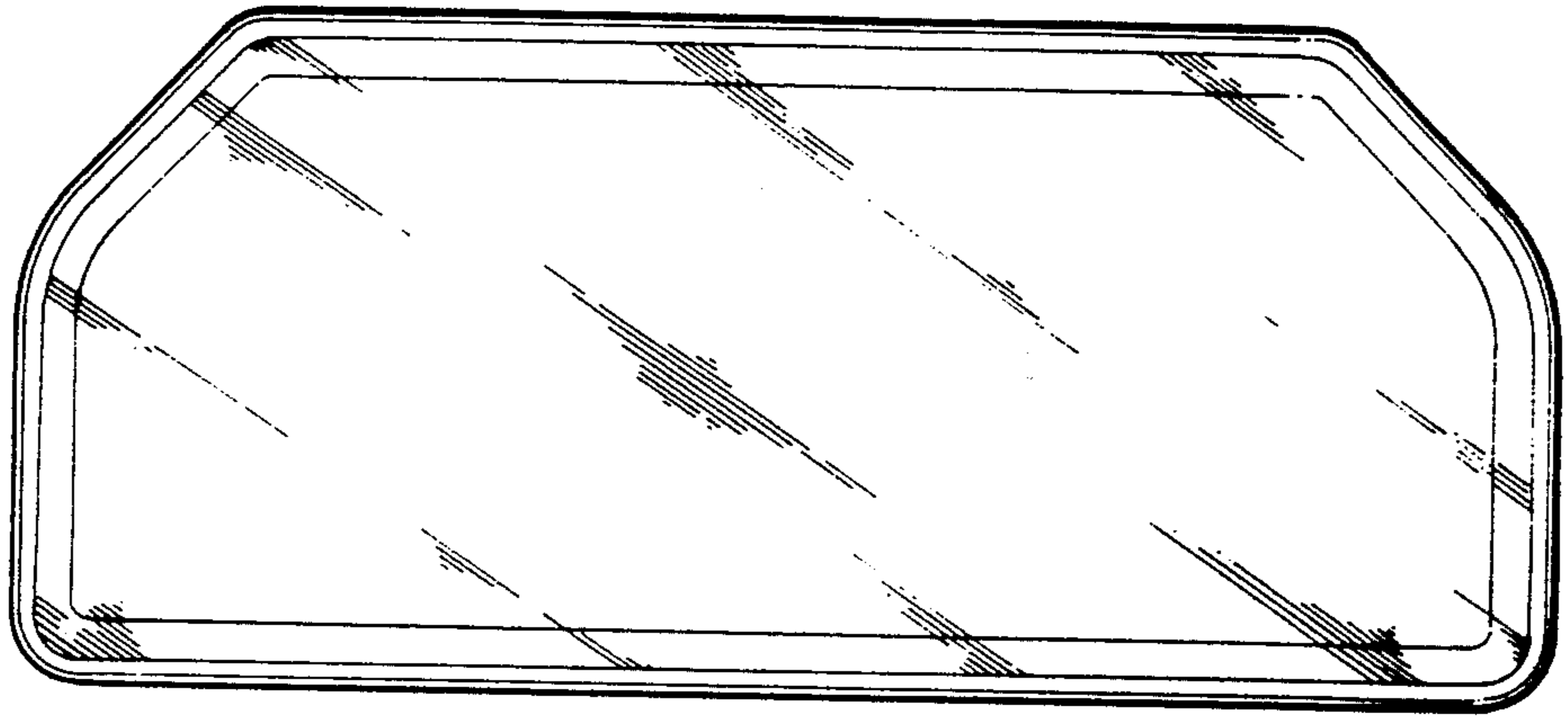


FIG. 1

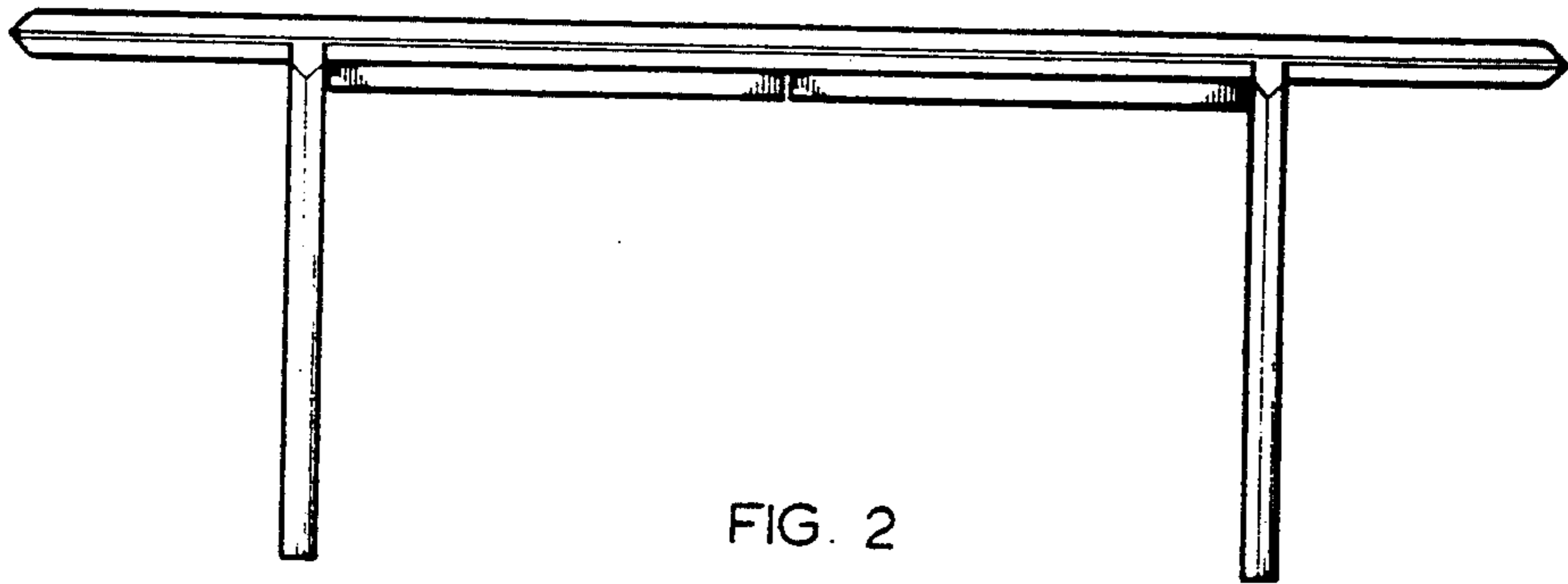


FIG. 2

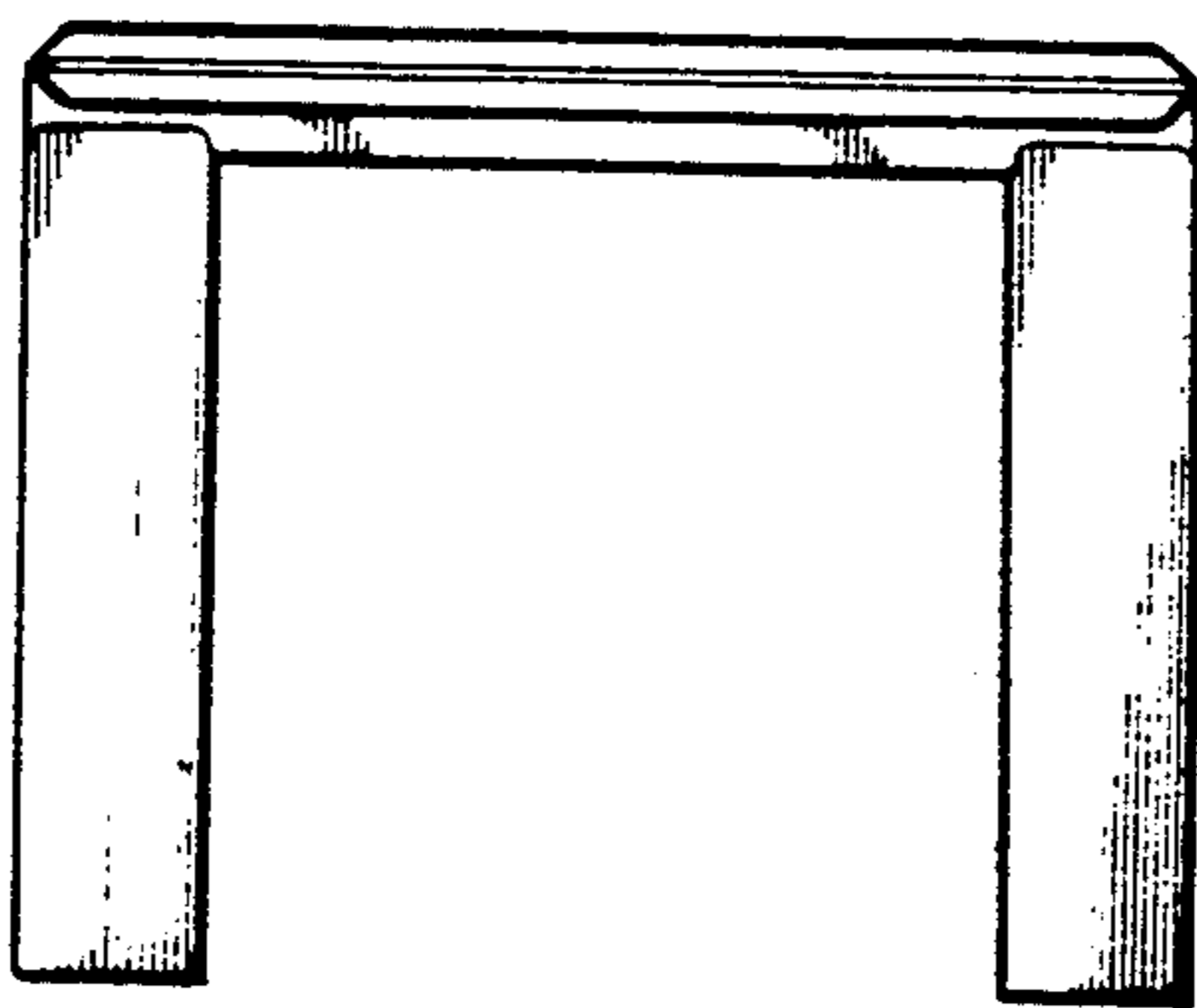


FIG. 3

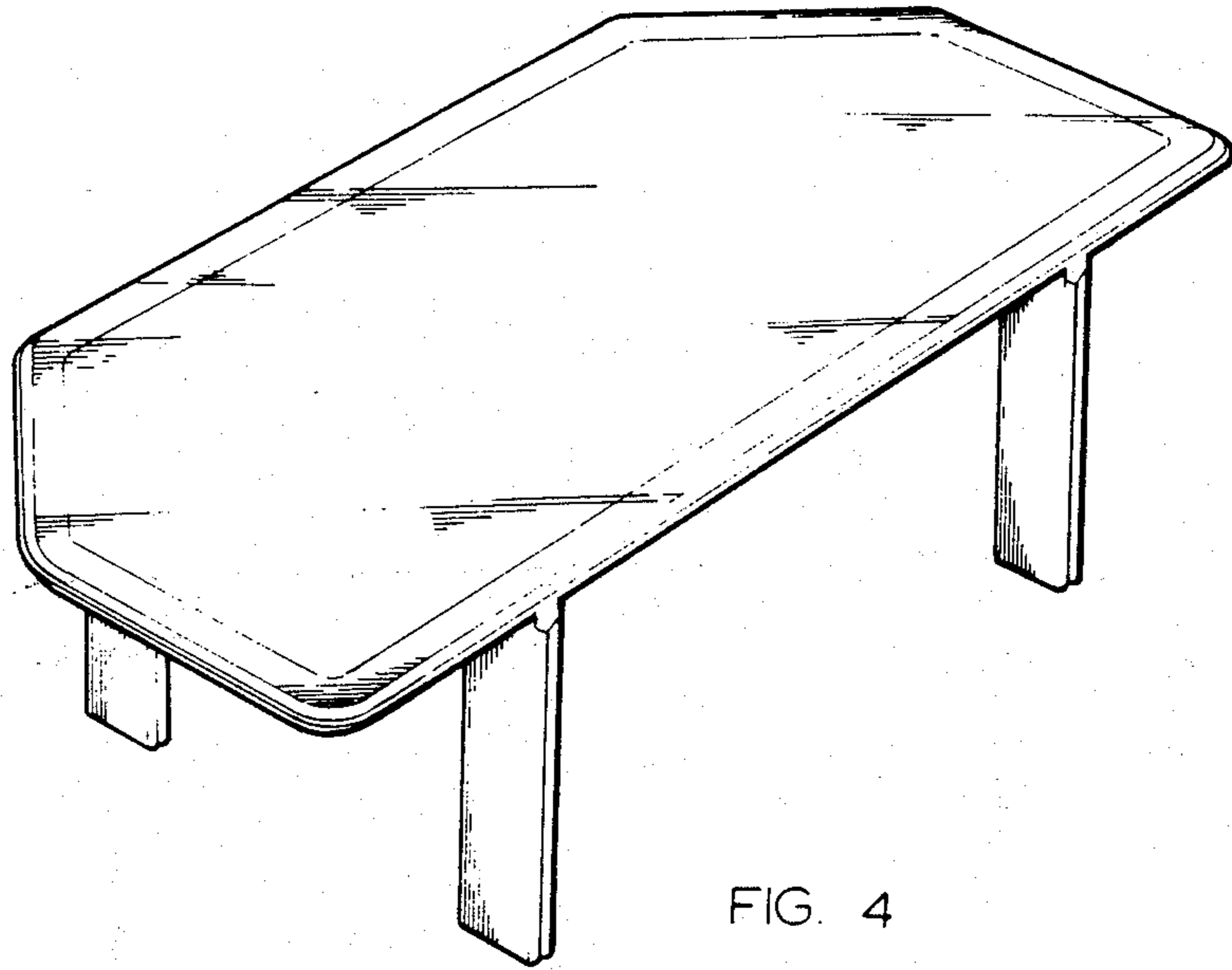


FIG. 4

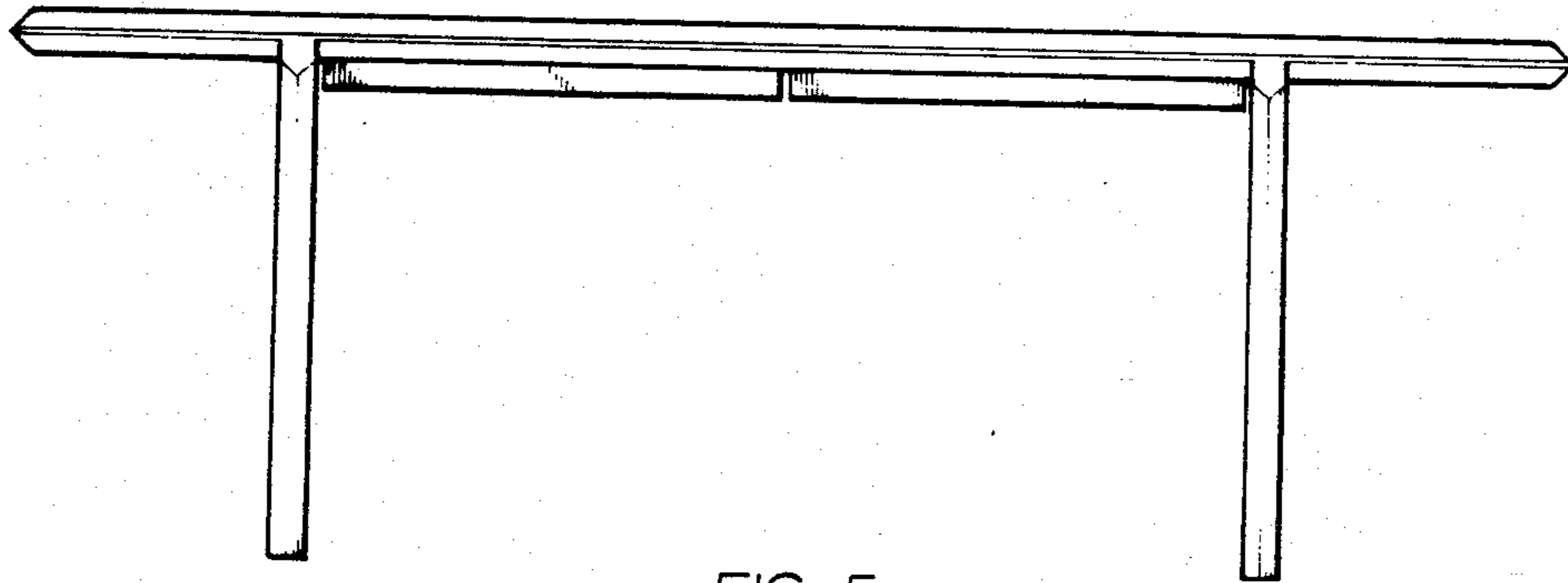


FIG. 5

FIG. 6

