

[54] FRAME FOR AN ADJUSTABLE CHAIR

D. 279,732 7/1985 Zlotnick ..... D6/361

[76] Inventor: Sharon C. Giordano, 2338 S. Queen St., Arlington, Va. 22202

OTHER PUBLICATIONS

Interiors, Jan. 1973, p. 117, Chair, top left.

[\*\*] Term: 14 Years

Primary Examiner—Bruce W. Dunkins  
Attorney, Agent, or Firm—Tony Castorina

[21] Appl. No.: 538,481

[57] CLAIM

[22] Filed: Oct. 3, 1983

The ornamental design for a frame for an adjustable chair, as shown.

[52] U.S. Cl. .... D6/361; D6/367; D6/375; D6/501

[58] Field of Search ..... D6/334, 360, 361, 364, D6/365, 366, 367, 368, 383

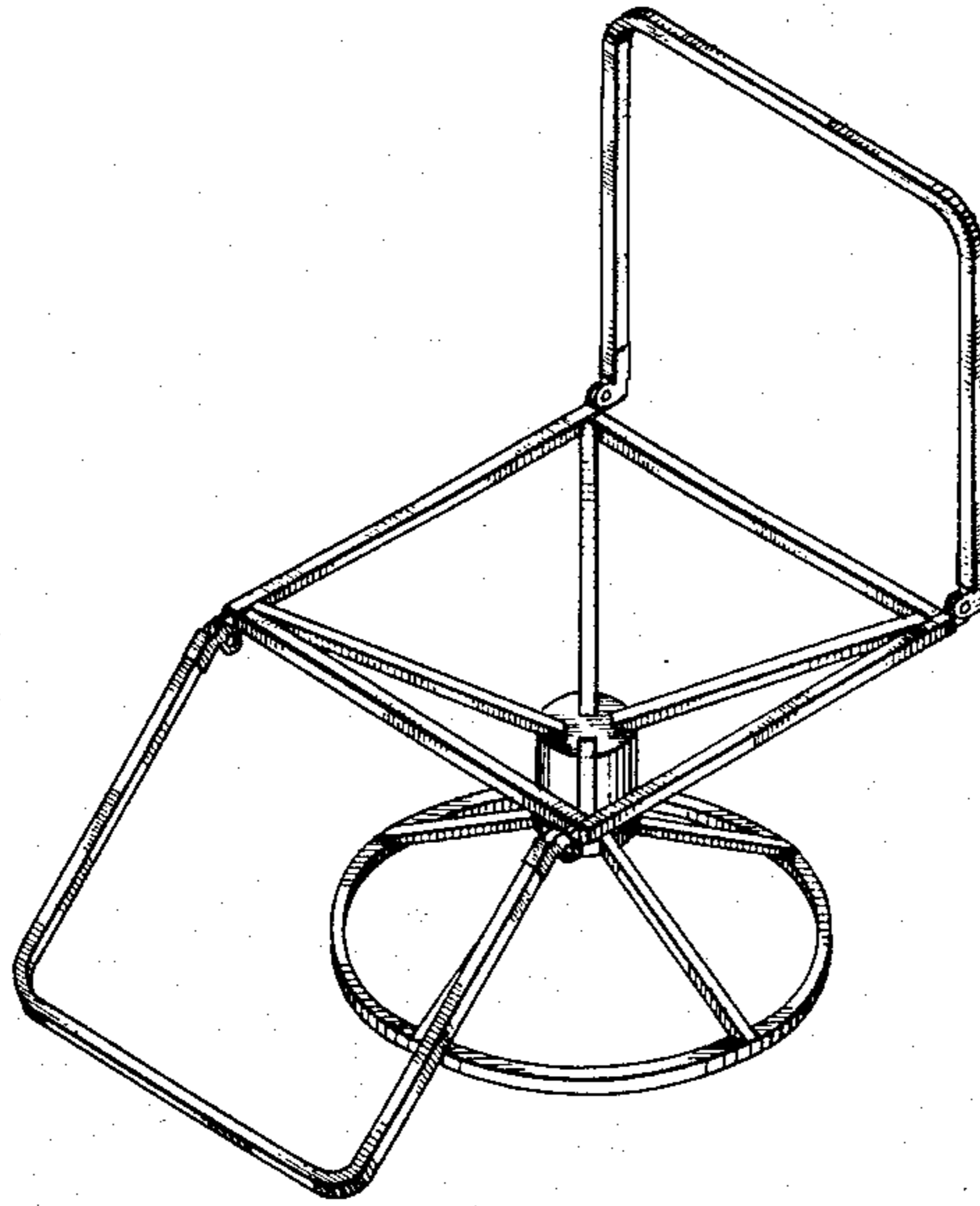
DESCRIPTION

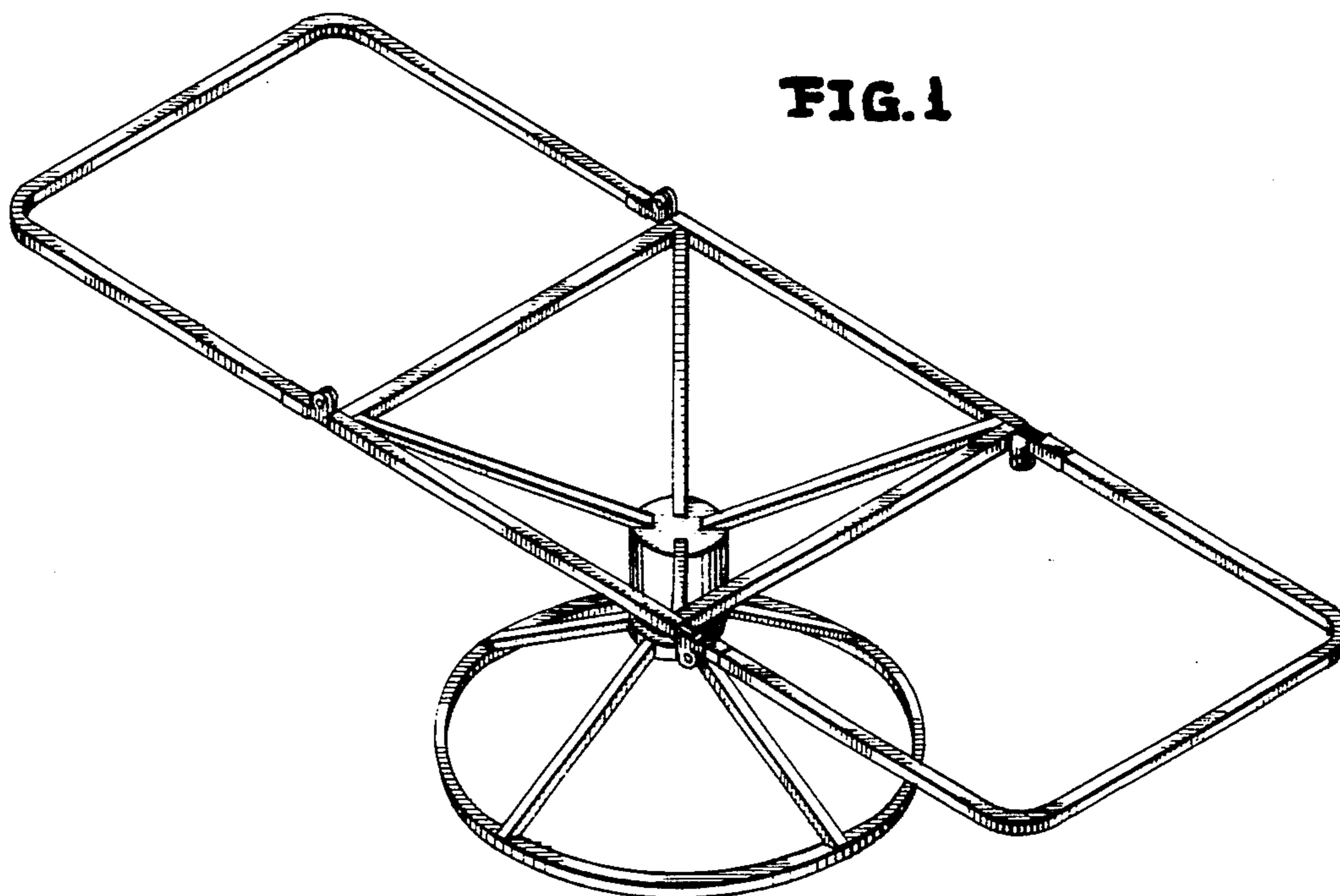
[56] References Cited

U.S. PATENT DOCUMENTS

- D. 159,688 8/1950 Socol ..... D6/383 X
- D. 223,445 4/1972 Lamb ..... D6/361
- D. 249,204 9/1978 Schwartz et al. .... D6/361
- D. 261,705 11/1981 Land et al. .... D6/361
- D. 272,108 1/1984 Morris, Jr. .... D6/336

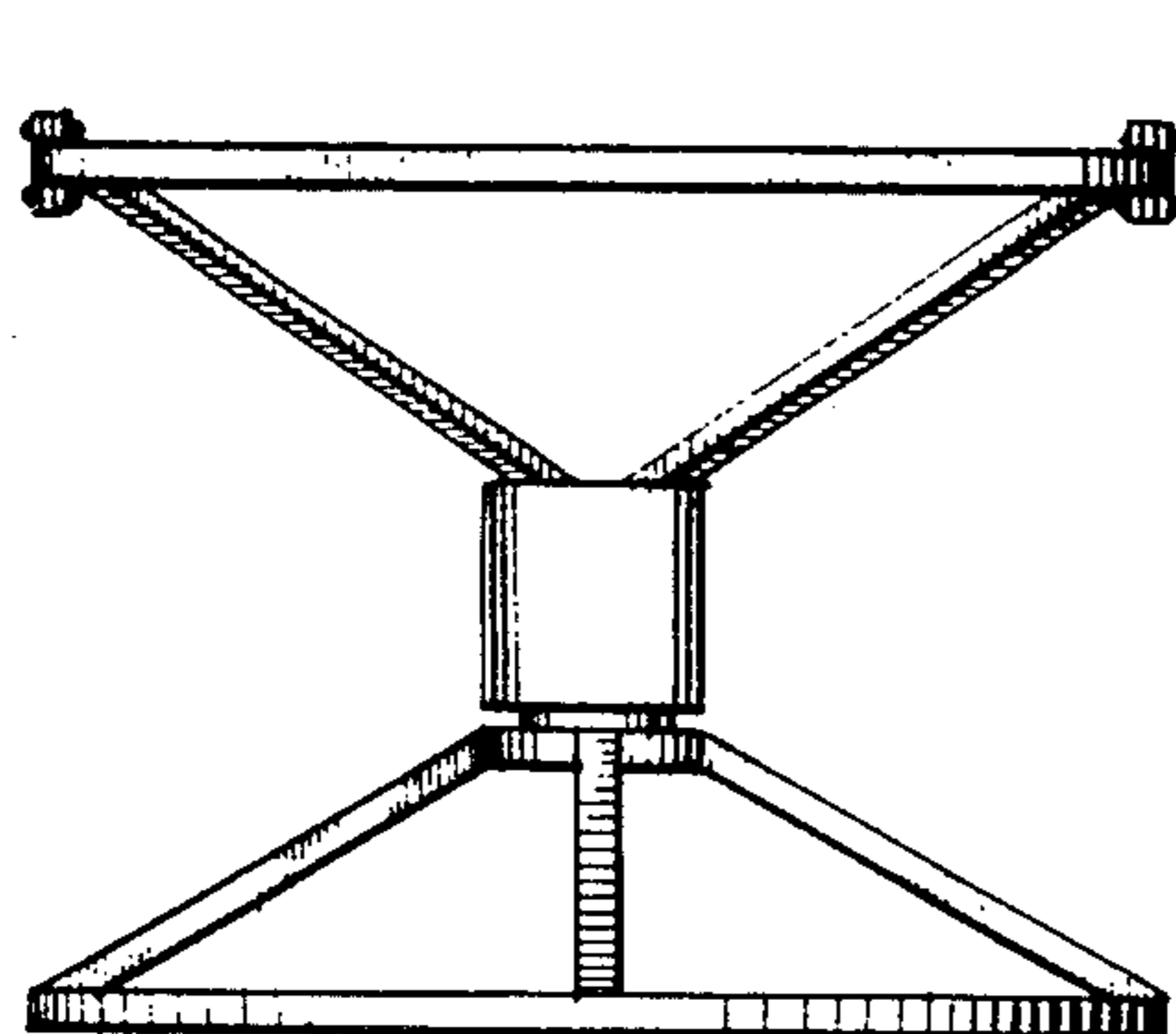
FIG. 1 is a perspective view of a frame for an adjustable chair showing my design;  
 FIG. 2 is an end view of the chair shown in FIG. 1;  
 FIG. 3 is a top view of the chair shown in FIG. 1;  
 FIG. 4 is a side view of the chair shown in FIG. 3;  
 FIG. 5 is a bottom view of the chair shown in FIG. 3;  
 and  
 FIG. 6 is a perspective of the chair frame wherein same has been pivoted to an alternate position.



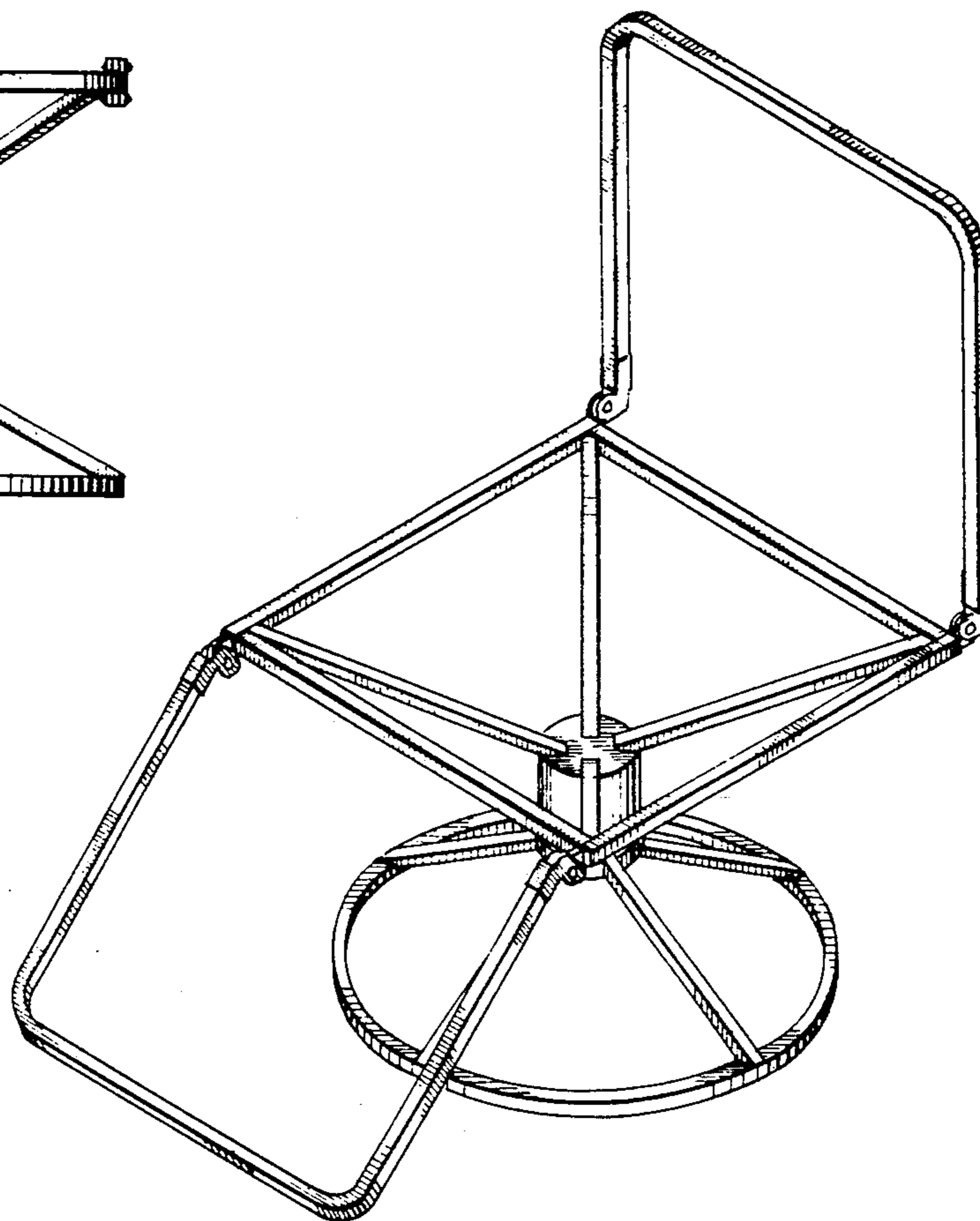


**FIG. 1**

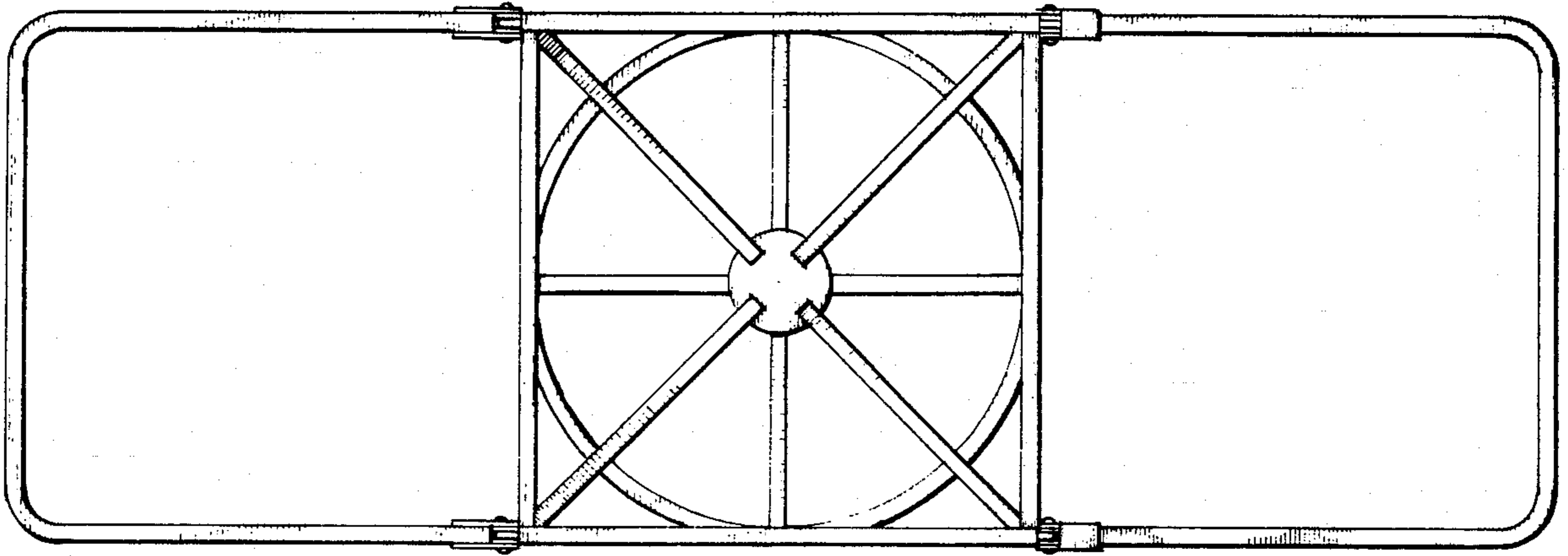
**FIG. 2**



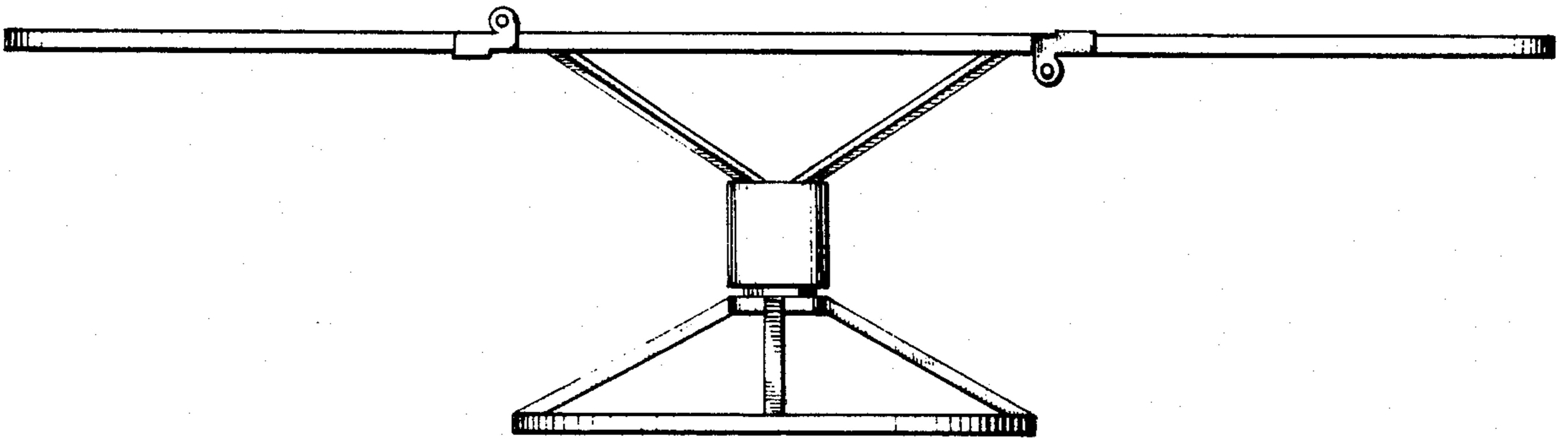
**FIG. 6**



**FIG.3**



**FIG.4**



**FIG.5**

